

US00D505916S

(12) **United States Design Patent**
Hilton

(10) **Patent No.:** **US D505,916 S**

(45) **Date of Patent:** **** Jun. 7, 2005**

(54) **HALL EFFECT SENSOR HOLDER**

(75) **Inventor:** **Dan E. Hilton, St. Louis, MO (US)**

(73) **Assignee:** **Emerson Electric Co., St. Louis, MO (US)**

(**) **Term:** **14 Years**

(21) **Appl. No.:** **29/189,883**

(22) **Filed:** **Sep. 11, 2003**

(51) **LOC (8) Cl.** **13-01**

(52) **U.S. Cl.** **D13/112**

(58) **Field of Search** D13/101, 112-114,
D13/122, 118, 184, 199; D10/104, 106,
116, 121; 310/68 B, 68 D

(56) **References Cited**

U.S. PATENT DOCUMENTS

676,439 A	6/1901	Merrick	
2,792,511 A	5/1957	Horstman	
3,022,389 A *	2/1962	Wolrab	200/19.07
3,530,424 A *	9/1970	Gregory	439/355
4,155,341 A *	5/1979	Fernquist et al.	123/406.57
4,235,213 A *	11/1980	Jellissen	123/146.5 A
4,633,114 A	12/1986	Reynolds	
4,761,580 A *	8/1988	Hein et al.	310/214
4,847,527 A	7/1989	Dohogne	
4,851,725 A *	7/1989	Keck	310/71
4,855,631 A *	8/1989	Sato et al.	310/239
4,990,809 A *	2/1991	Artus et al.	310/192

5,239,220 A *	8/1993	Taji et al.	310/214
5,306,976 A *	4/1994	Beckman	310/215
5,877,572 A *	3/1999	Michaels et al.	310/179
6,285,552 B1	9/2001	Adachi	
D496,630 S *	9/2004	Burton	D13/112

* cited by examiner

Primary Examiner—Stella Reid

Assistant Examiner—Daniel Bui

(74) *Attorney, Agent, or Firm*—Harness, Dickey & Pierce, P.L.C.

(57) **CLAIM**

The ornamental design for a hall effect sensor holder, as shown and described.

DESCRIPTION

FIG. 1 is a top perspective view of a hall effect sensor holder showing my new design;

FIG. 2 is a bottom perspective view thereof;

FIG. 3 is a front elevational view thereof;

FIG. 4 is a rear elevational view thereof;

FIG. 5 is a top plan view thereof;

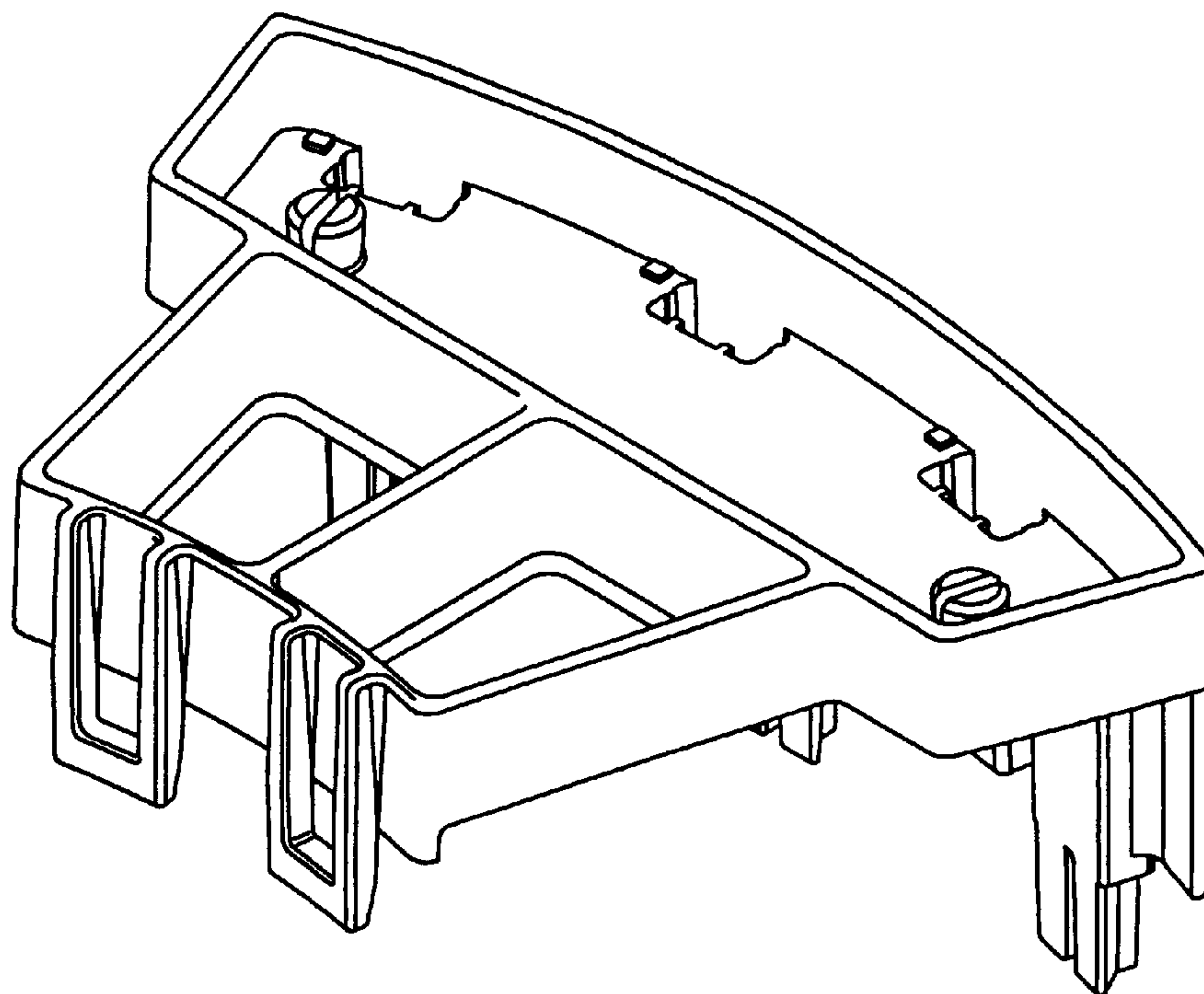
FIG. 6 is a bottom plan view thereof;

FIG. 7 is a left side elevational view thereof, the right side elevational view being a mirror image of the left; and,

FIG. 8 is a perspective view thereof at an installed position on an electric motor.

The broken line showing of the environment is for illustrative purposes only and forms no part of the claimed design.

1 Claim, 5 Drawing Sheets



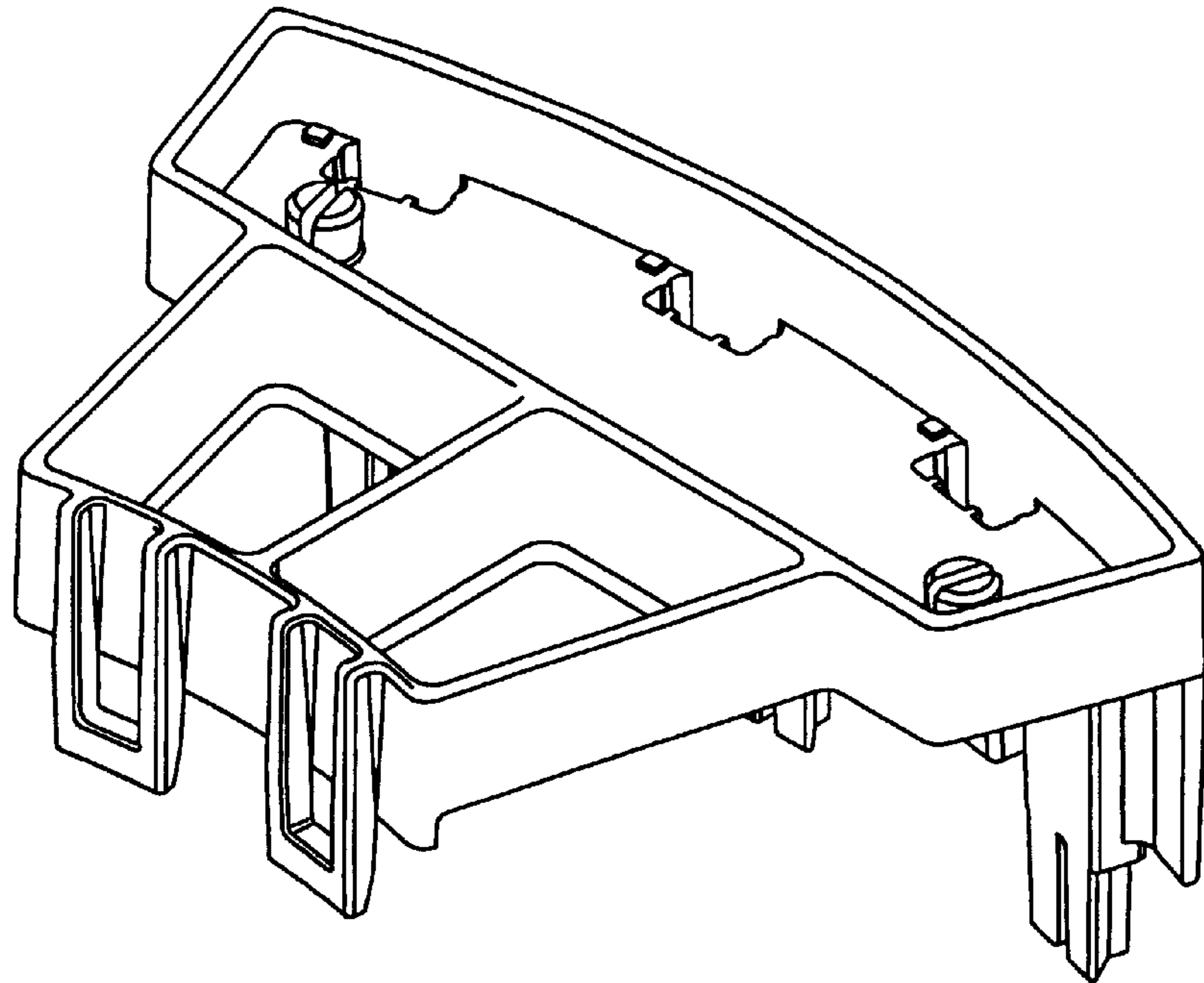


FIG. 1

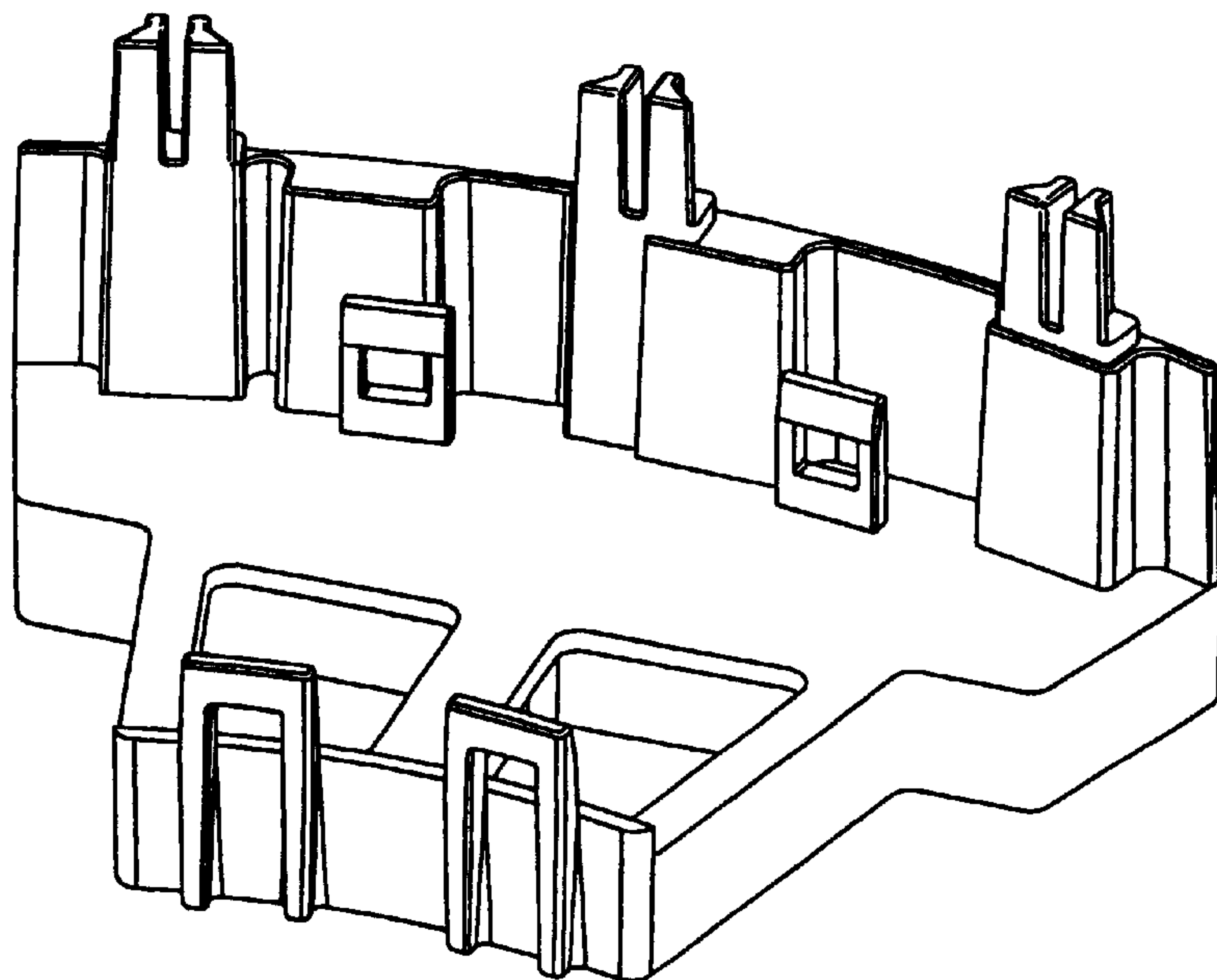


FIG. 2

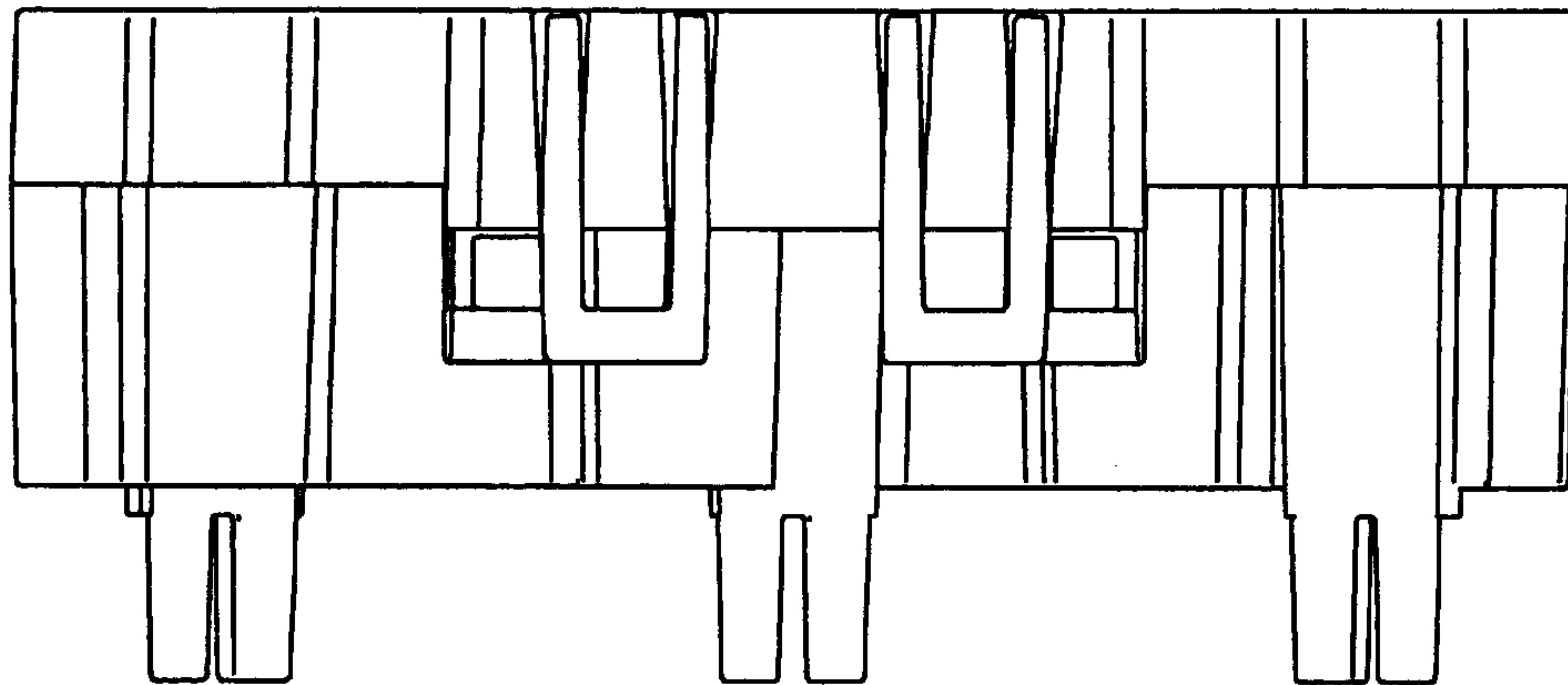


FIG. 3

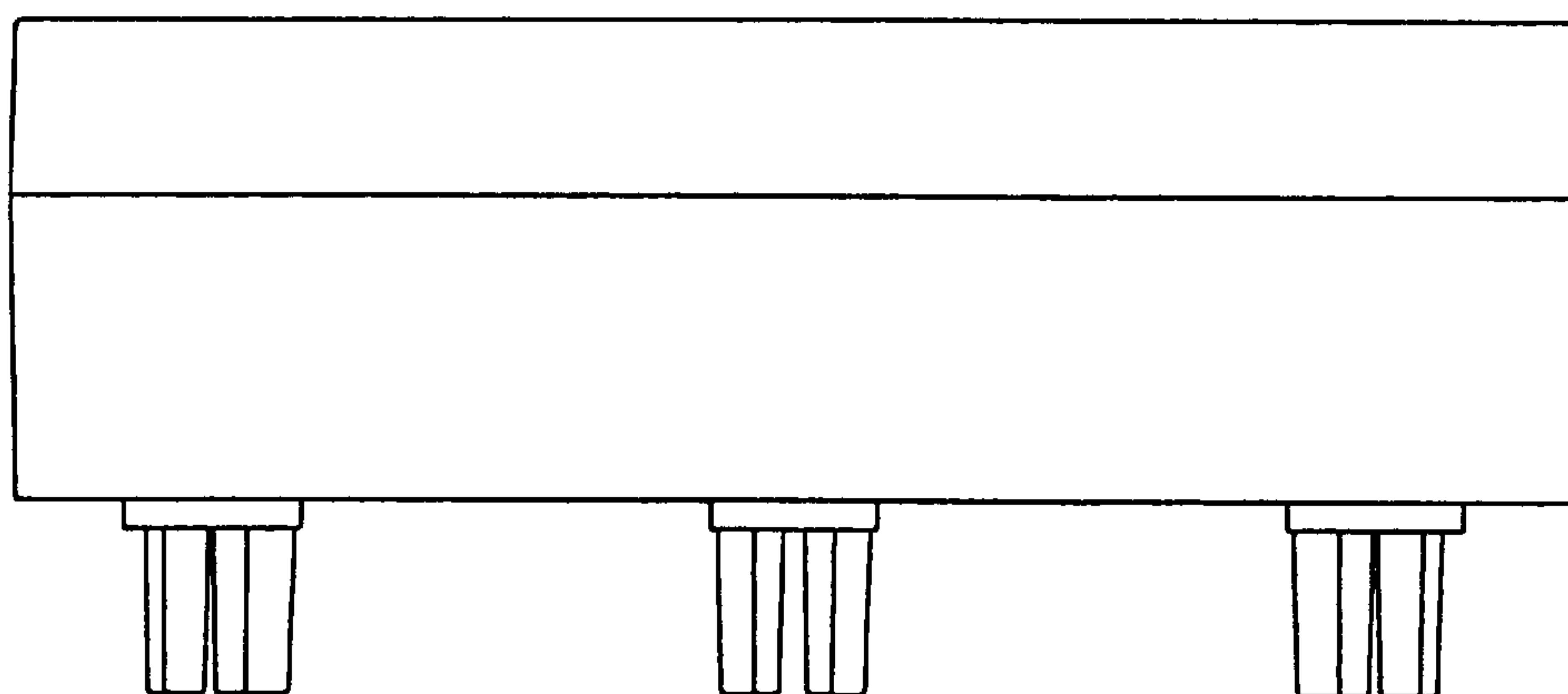


FIG. 4

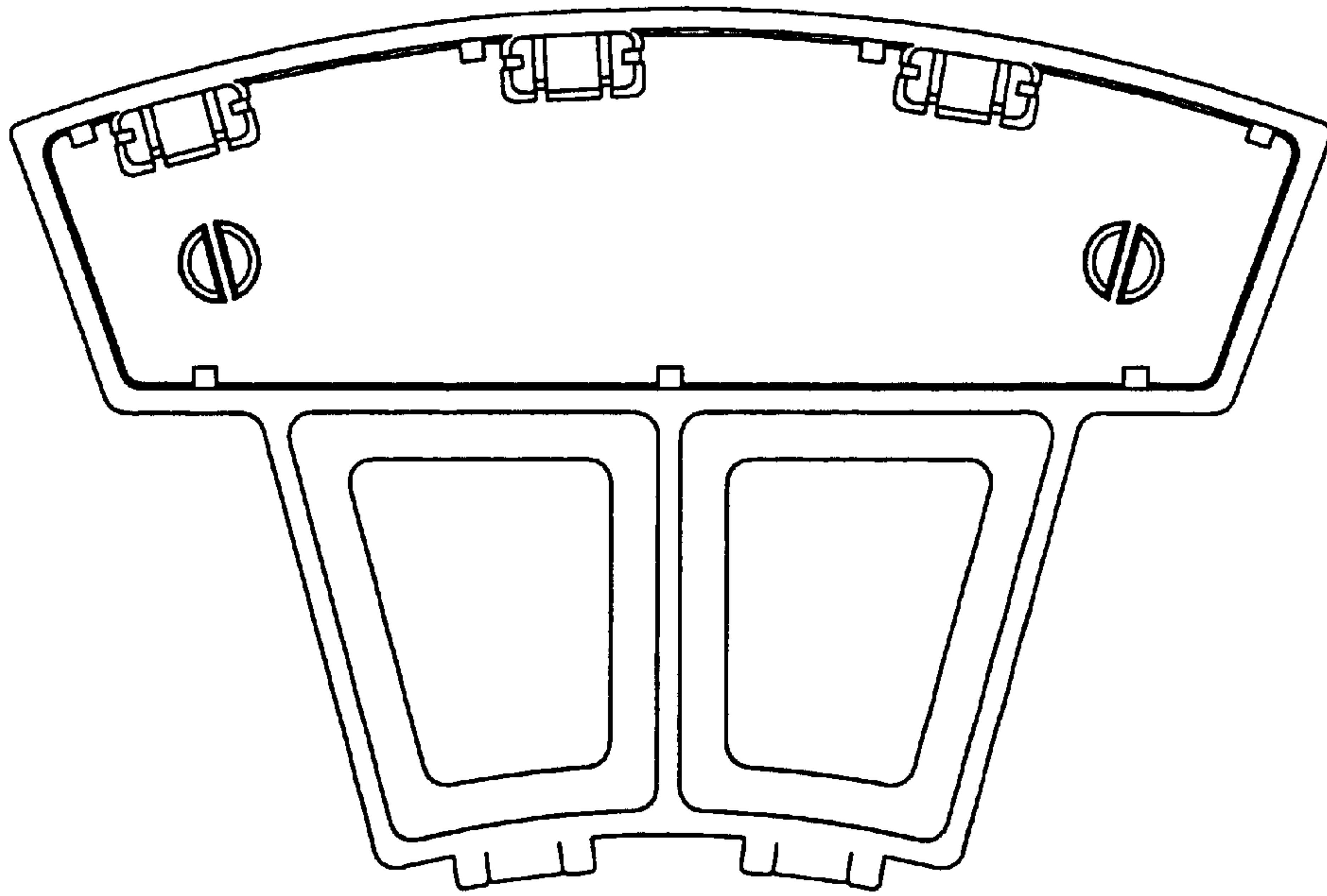


FIG. 5

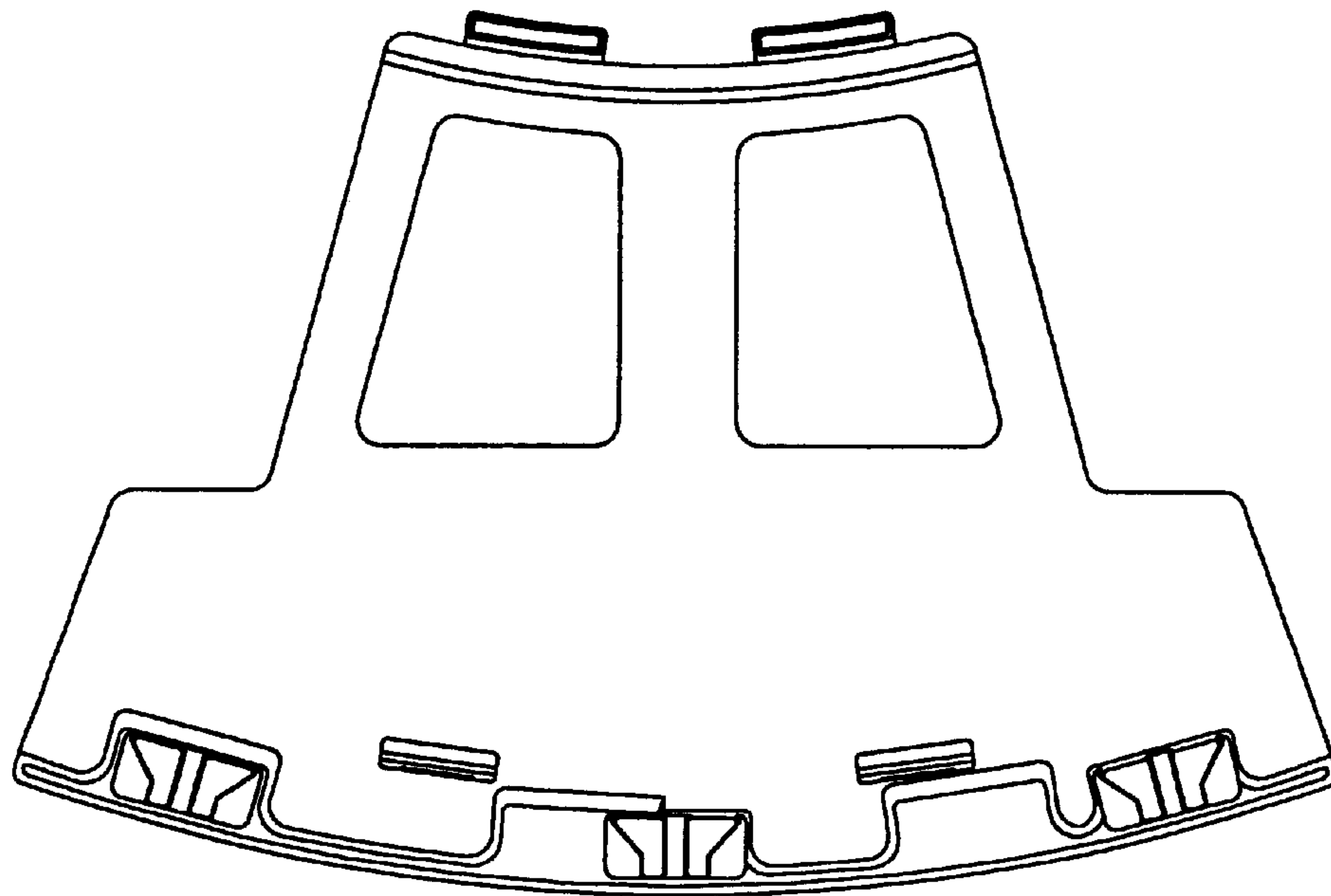


FIG. 6

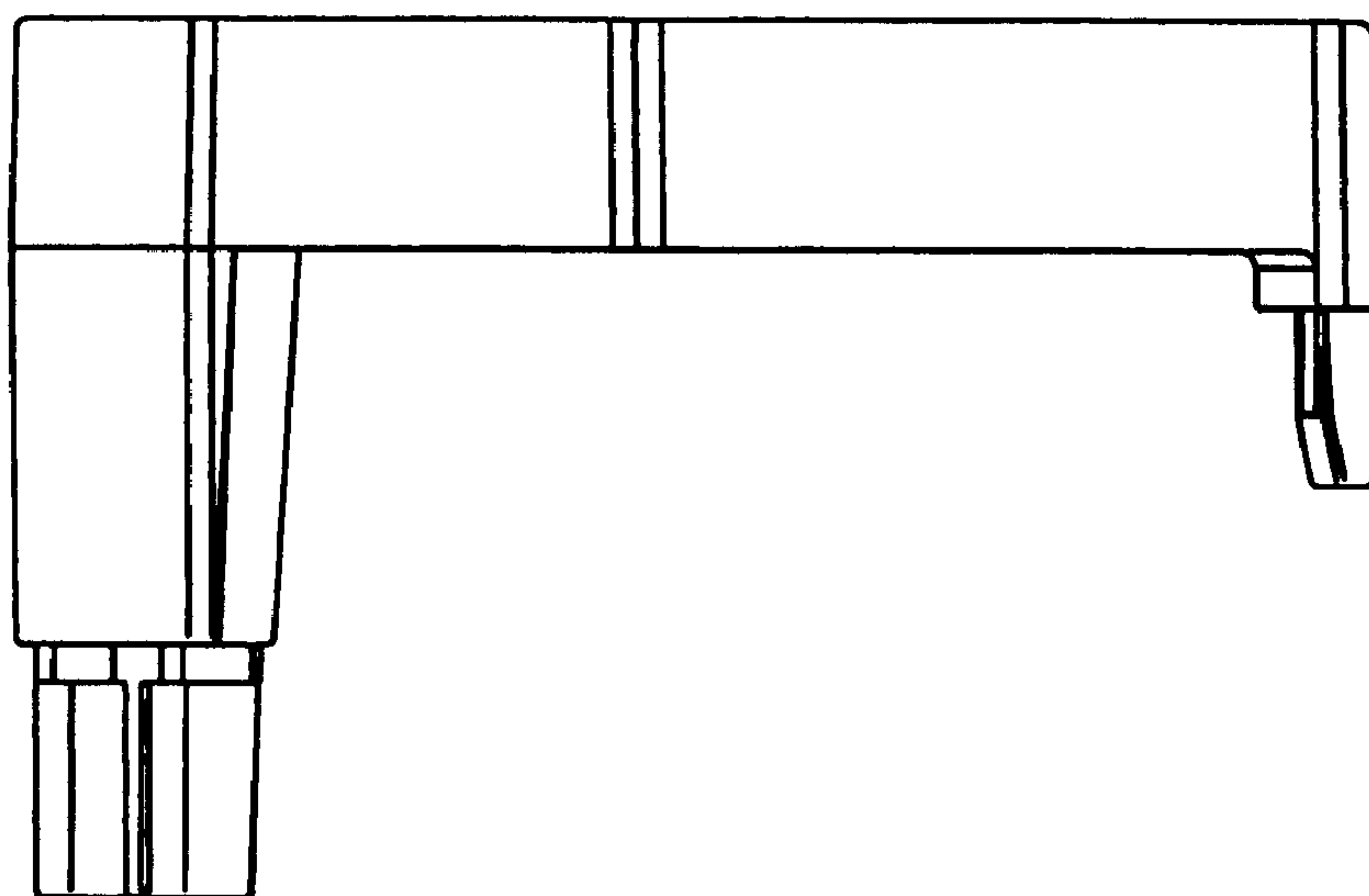


FIG. 7

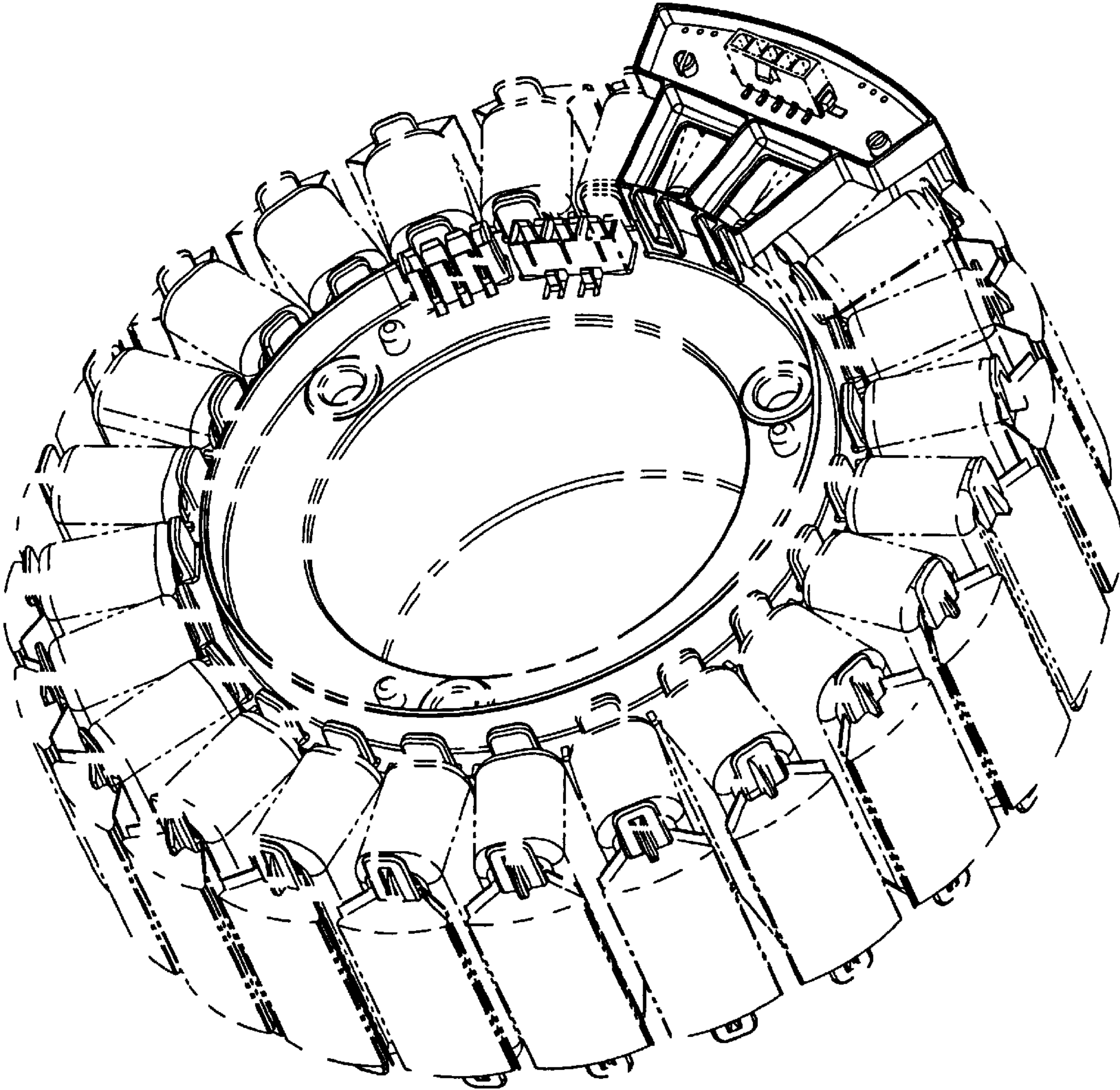


FIG. 8