

US00D505915S

(12) **United States Design Patent**
Hussaini et al.

(10) **Patent No.:** **US D505,915 S**

(45) **Date of Patent:** **** Jun. 7, 2005**

(54) **POWER INVERTER**

(75) Inventors: **Saied Hussaini**, Miami, FL (US); **Marc Iacovelli**, Miami, FL (US)

(73) Assignee: **Intec, Inc.**, Miami, FL (US)

(**) Term: **14 Years**

(21) Appl. No.: **29/204,611**

(22) Filed: **May 3, 2004**

(51) **LOC (8) Cl.** **13-02**

(52) **U.S. Cl.** **D13/110**

(58) **Field of Search** D13/101, 110,
D13/112, 118, 184, 199; 361/622, 690,
704, 707, 715, 730; 363/141

(56) **References Cited**

U.S. PATENT DOCUMENTS

D349,682 S	*	8/1994	Hunziker	D13/110
D351,134 S	*	10/1994	Hunziker	D13/110
D365,082 S	*	12/1995	Cook, II et al.	D13/110
D382,539 S	*	8/1997	Kornblum et al.	D13/123
D401,216 S	*	11/1998	Person et al.	D13/110
D413,567 S	*	9/1999	Person et al.	D13/110
D426,810 S	*	6/2000	Wei	D13/110
D427,148 S	*	6/2000	Wei	D13/110
D437,288 S	*	2/2001	Light	D13/110
D479,195 S	*	9/2003	Krieger et al.	D13/110
D491,523 S	*	6/2004	Chi et al.	D13/110
D494,538 S	*	8/2004	Erskine	D13/110

* cited by examiner

Primary Examiner—Stella Reid

Assistant Examiner—Daniel Bui

(74) *Attorney, Agent, or Firm*—Liniak, Berenato & White

(57) **CLAIM**

The ornamental design for a power inverter, as shown and described.

DESCRIPTION

FIG. 1 is a top plan view of a first embodiment of a power converter showing our new design;

FIG. 2 is a bottom plan view thereof;

FIG. 3 is a front elevation view thereof;

FIG. 4 is a rear elevation view thereof;

FIG. 5 is a right side elevation view thereof;

FIG. 6 is a left side elevation view thereof;

FIG. 7 is a perspective view thereof;

FIG. 8 is a top plan view of a second embodiment of a power converter showing our new design;

FIG. 9 is a rear elevation view thereof;

FIG. 10 is a front elevation view thereof;

FIG. 11 is a top plan view of a third embodiment of a power converter showing our new design;

FIG. 12 is a rear elevation view thereof; and,

FIG. 13 is a front elevation view thereof.

The broken line showing of the environment is for illustrative purposes only and forms no part of the claimed design.

1 Claim, 13 Drawing Sheets

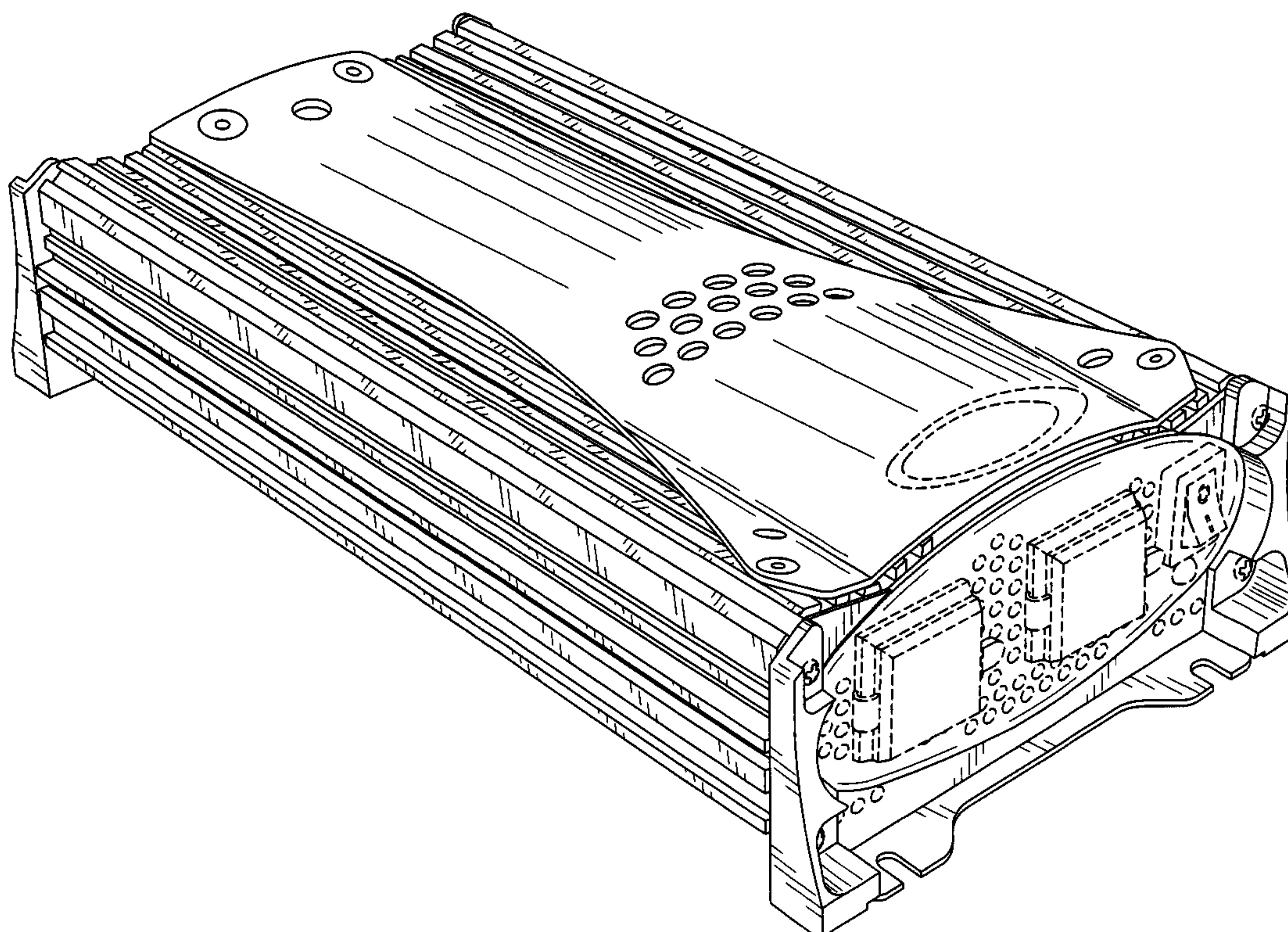


Fig. 1

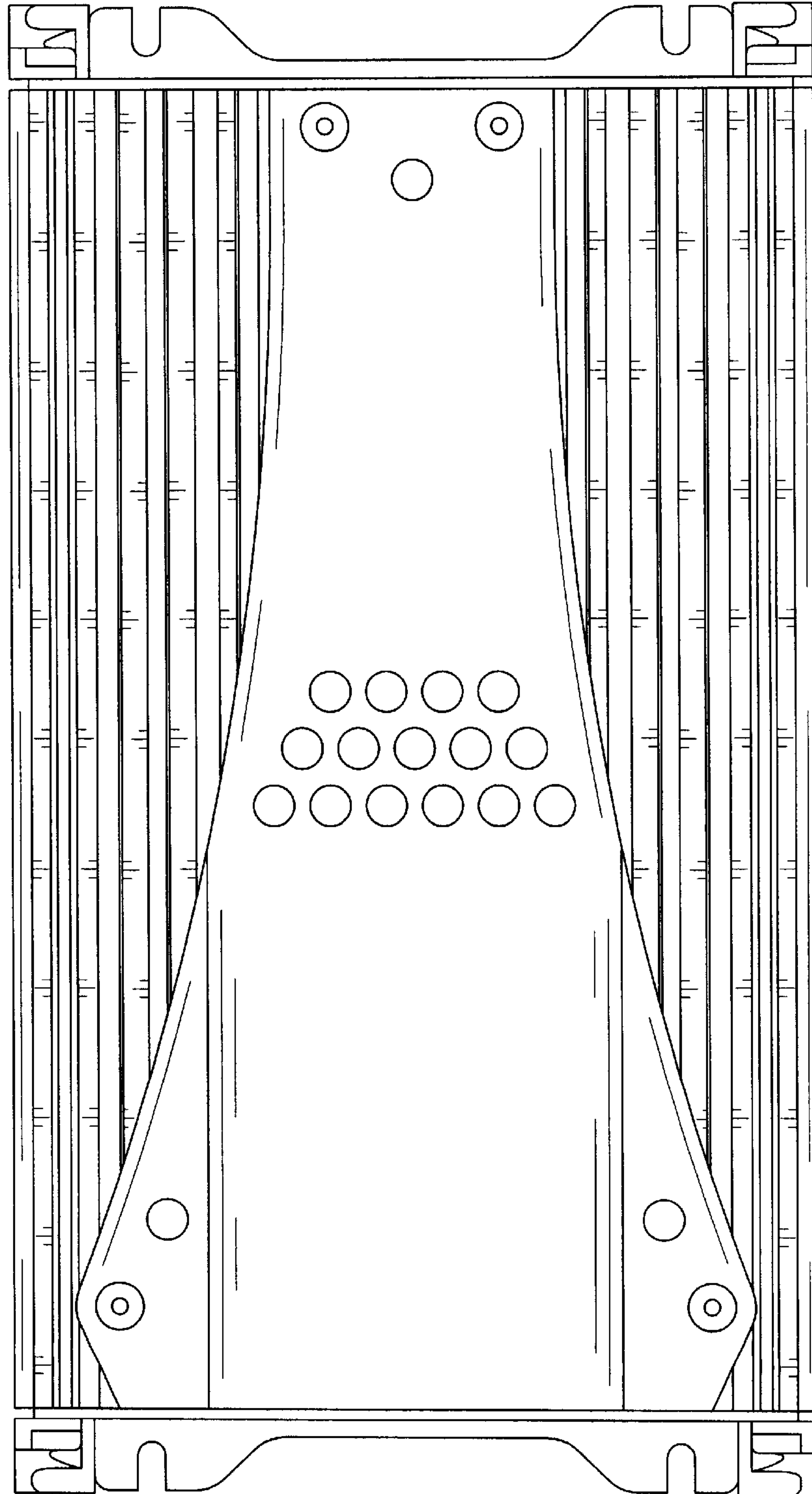


Fig. 2

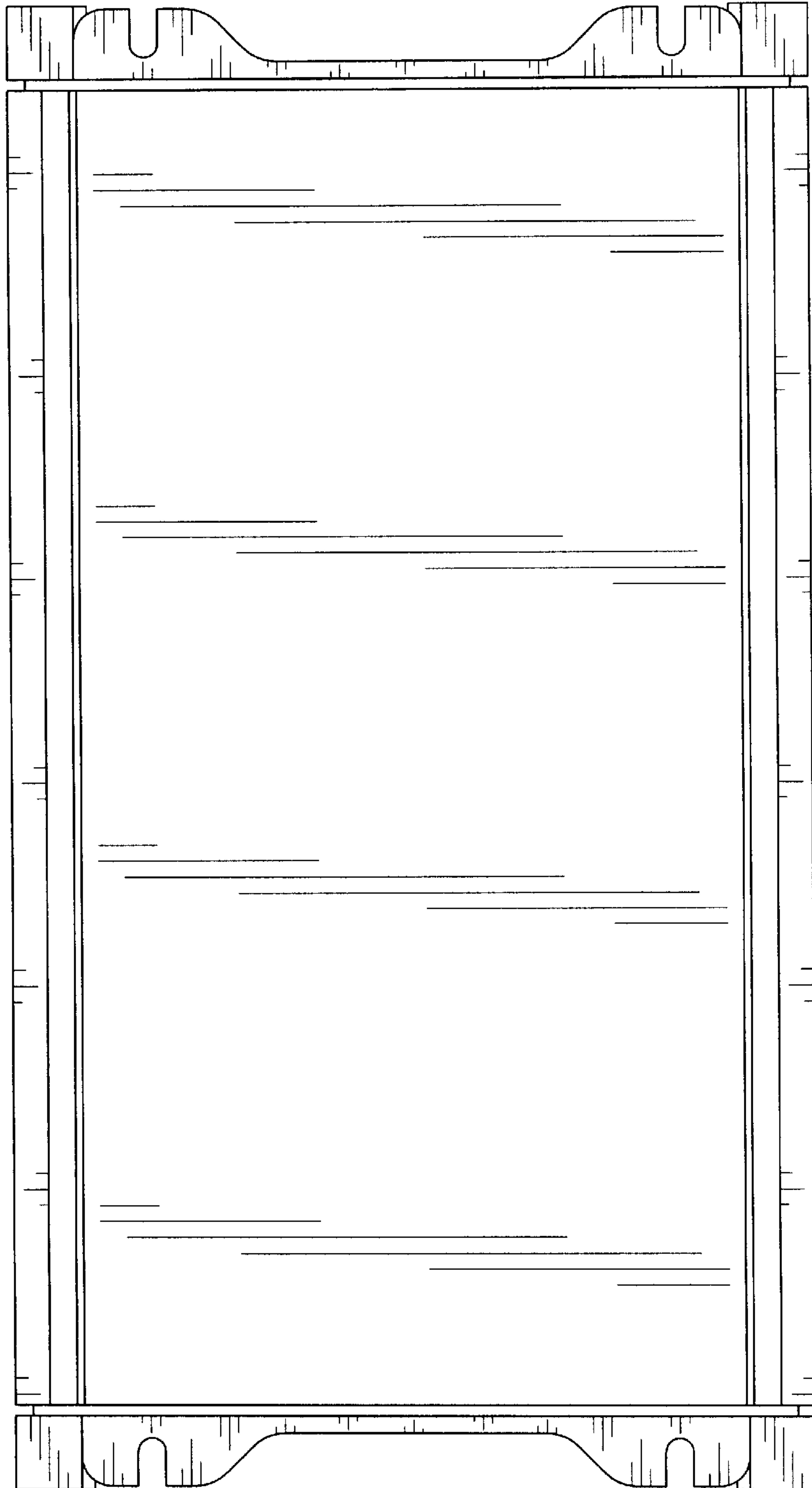


Fig. 3

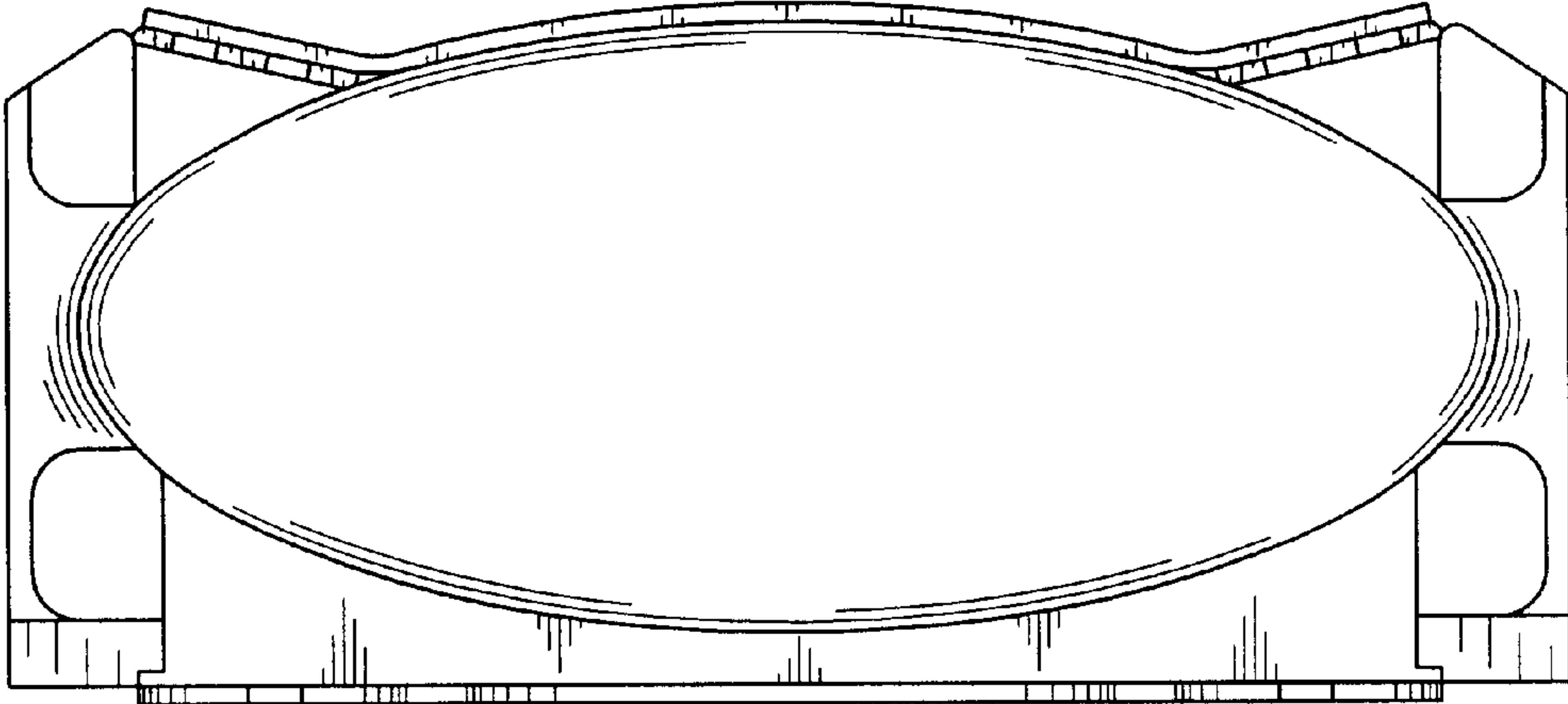


Fig. 4

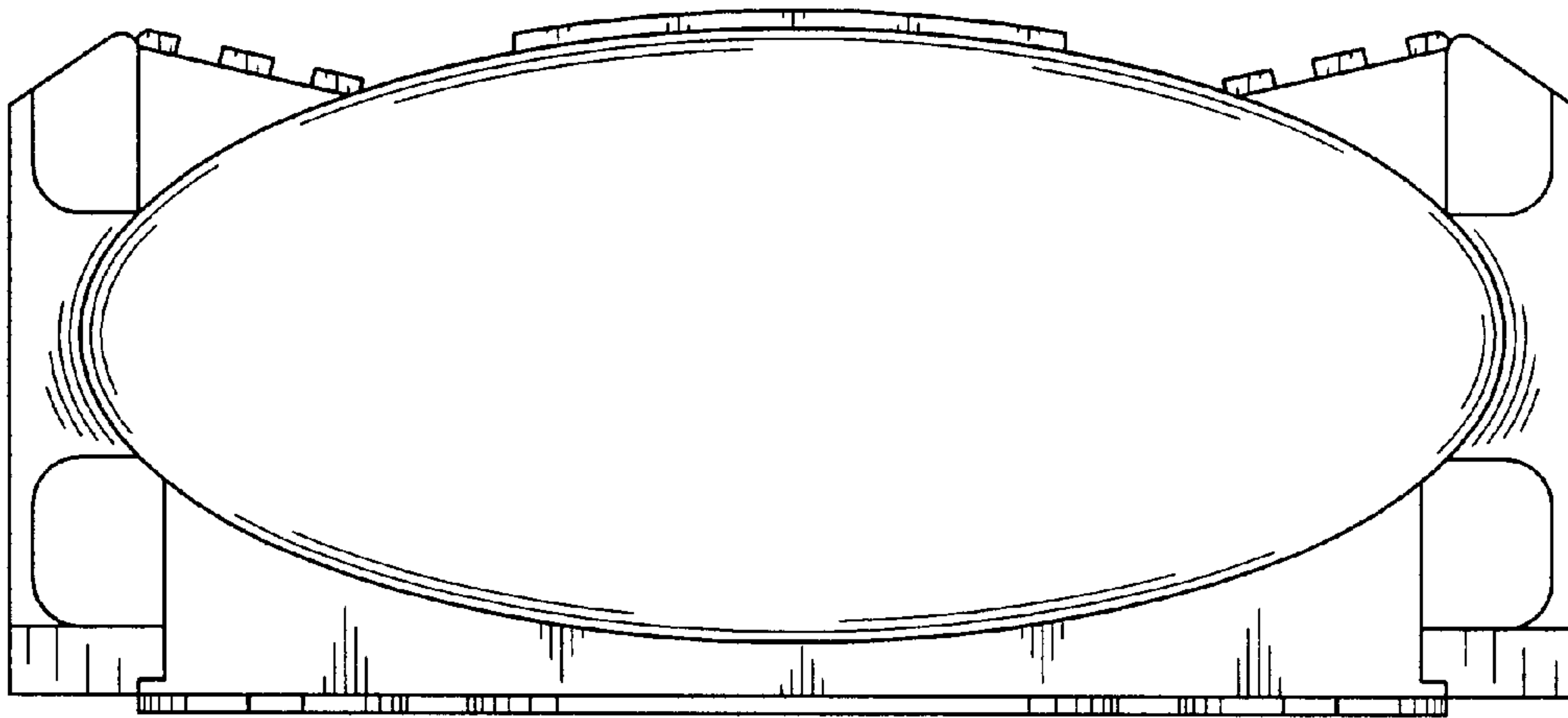


Fig. 5

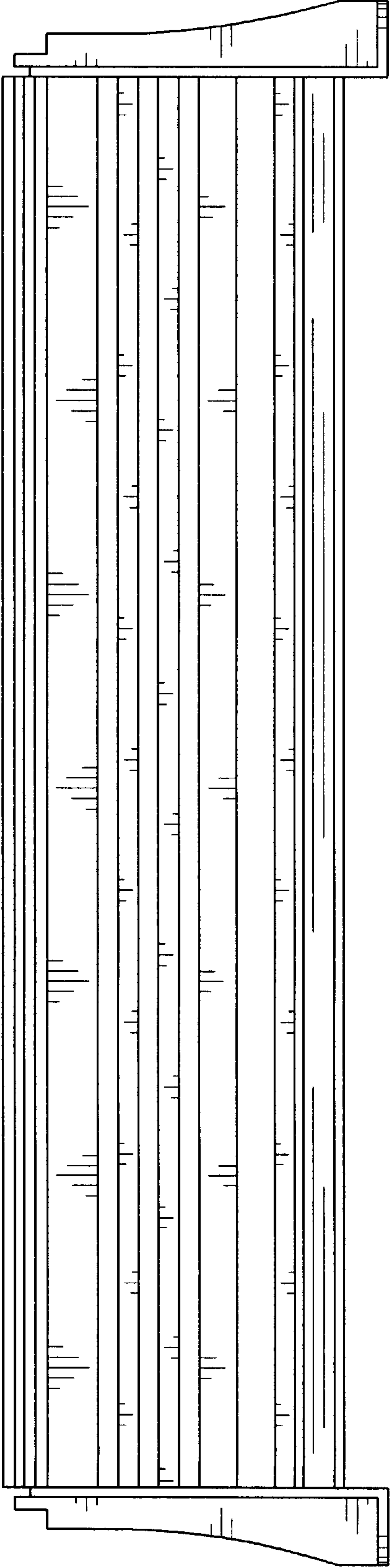


Fig. 6

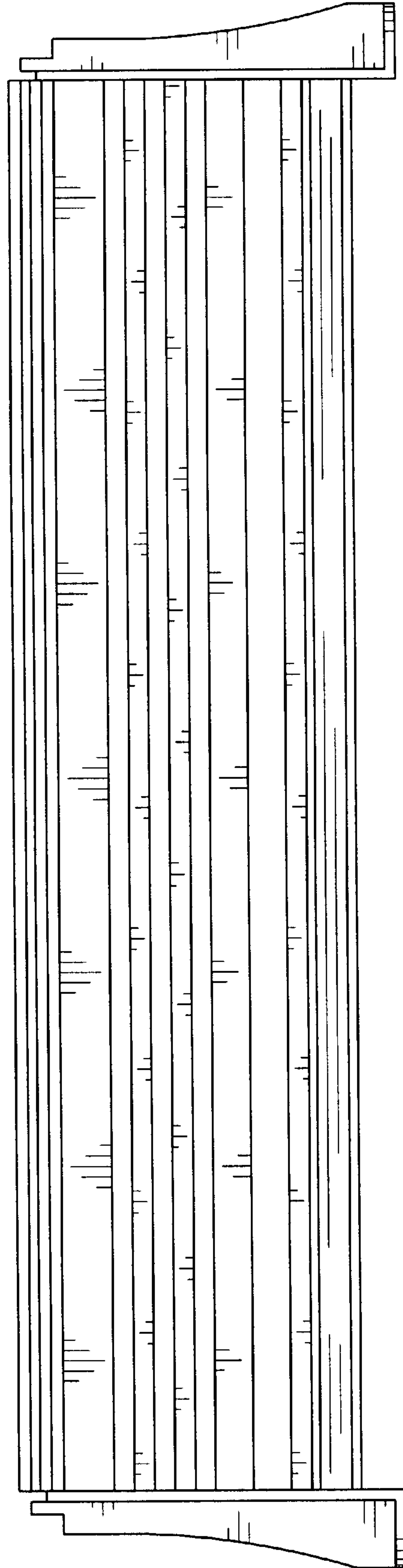


Fig. 7

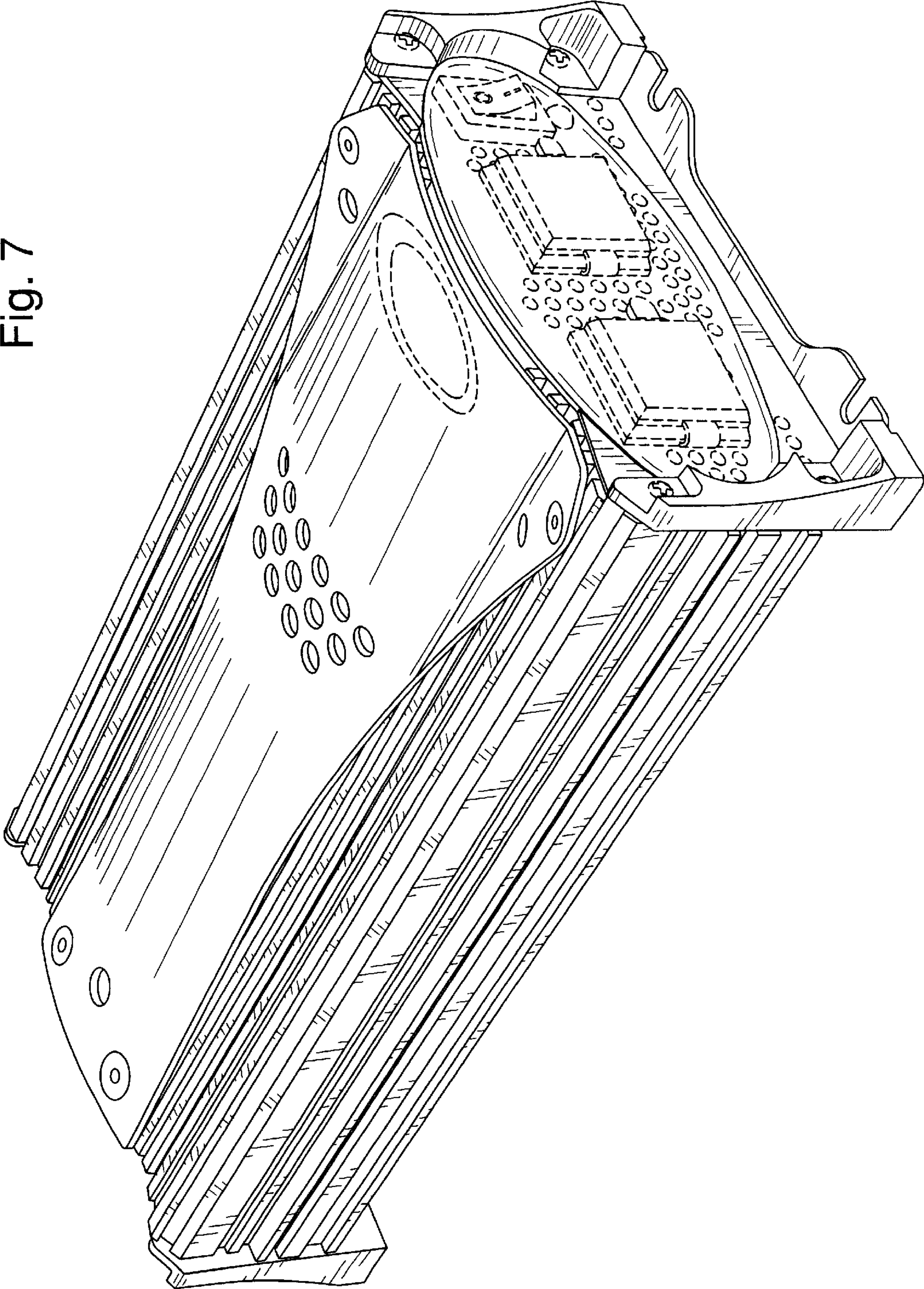


Fig. 8

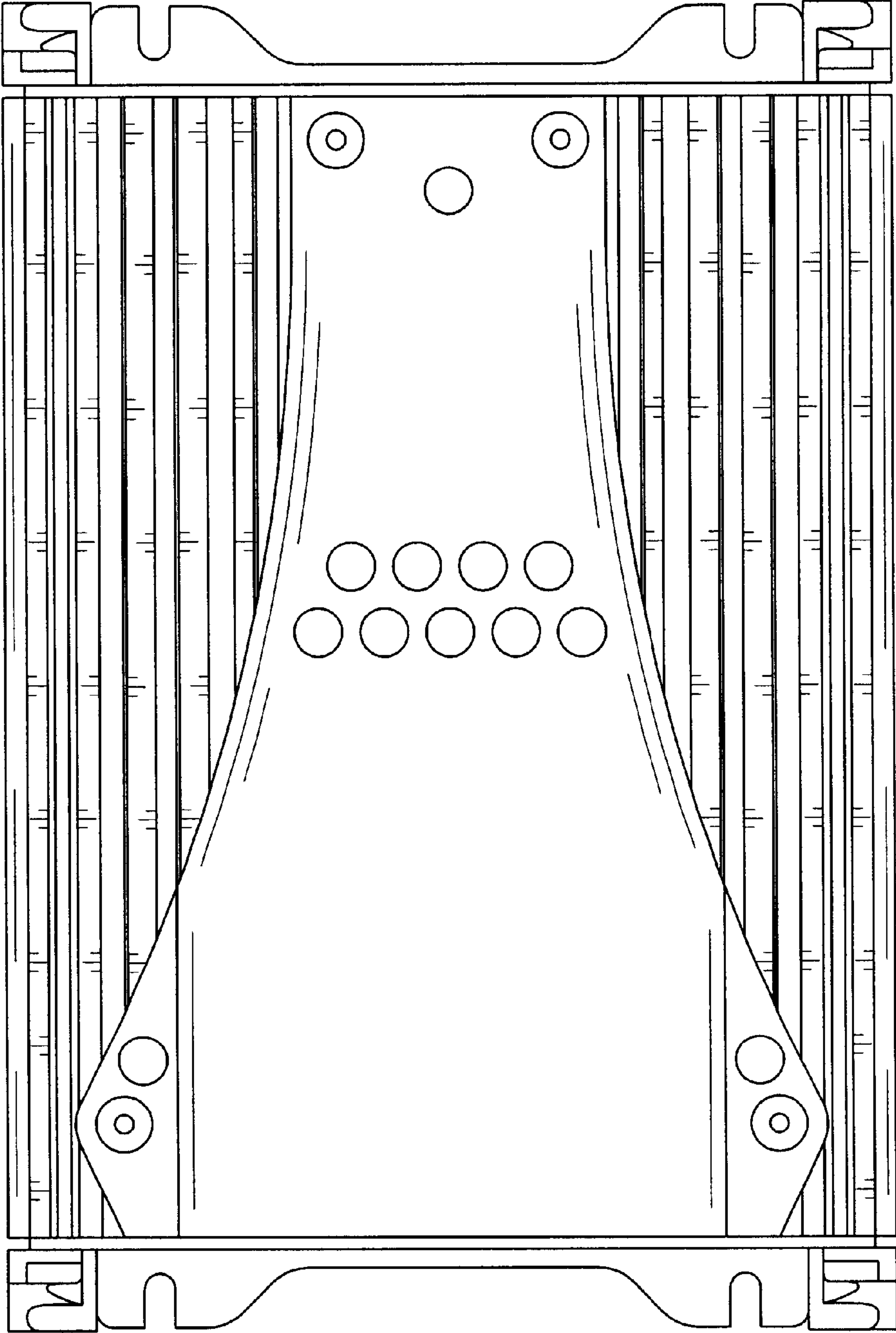


Fig. 9

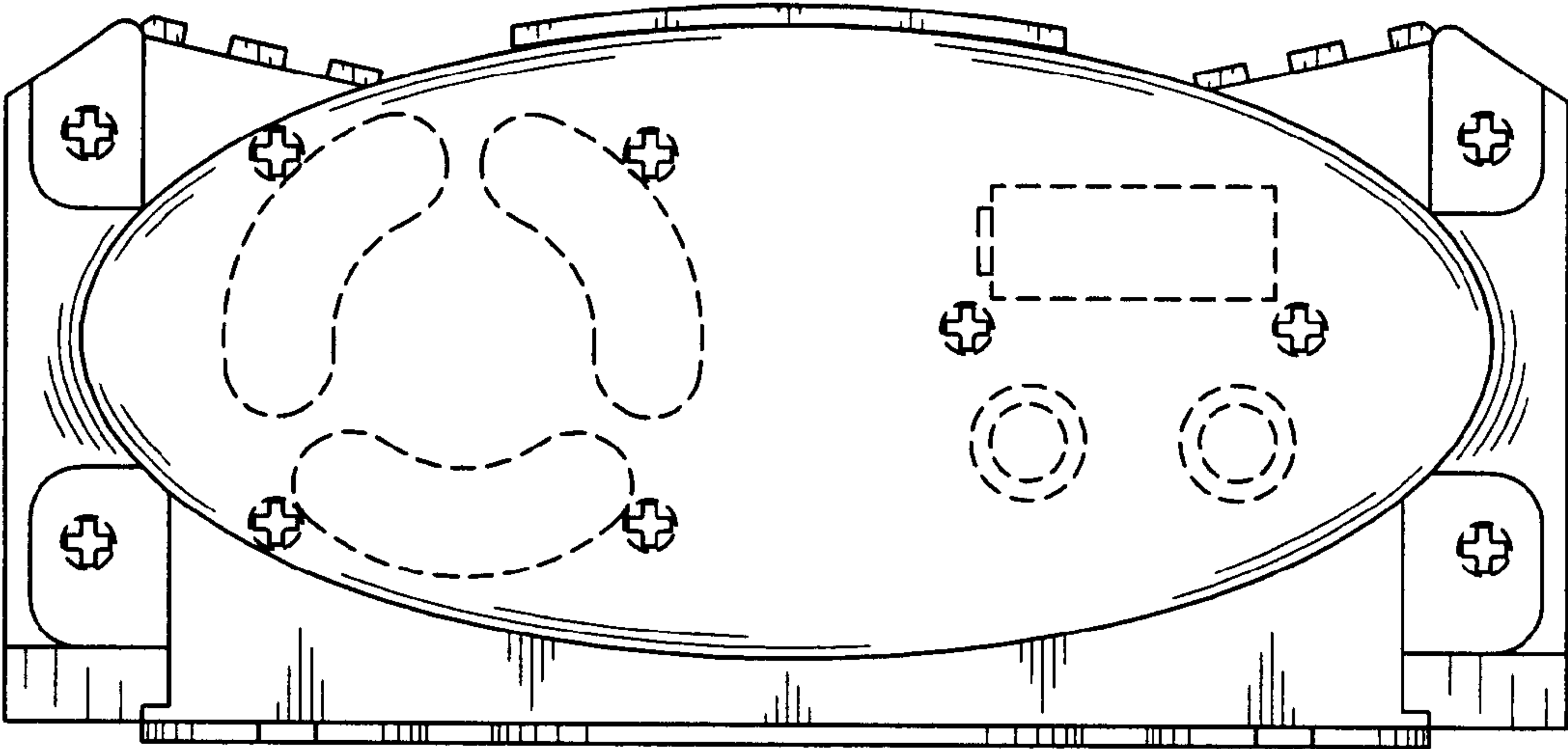


Fig. 10

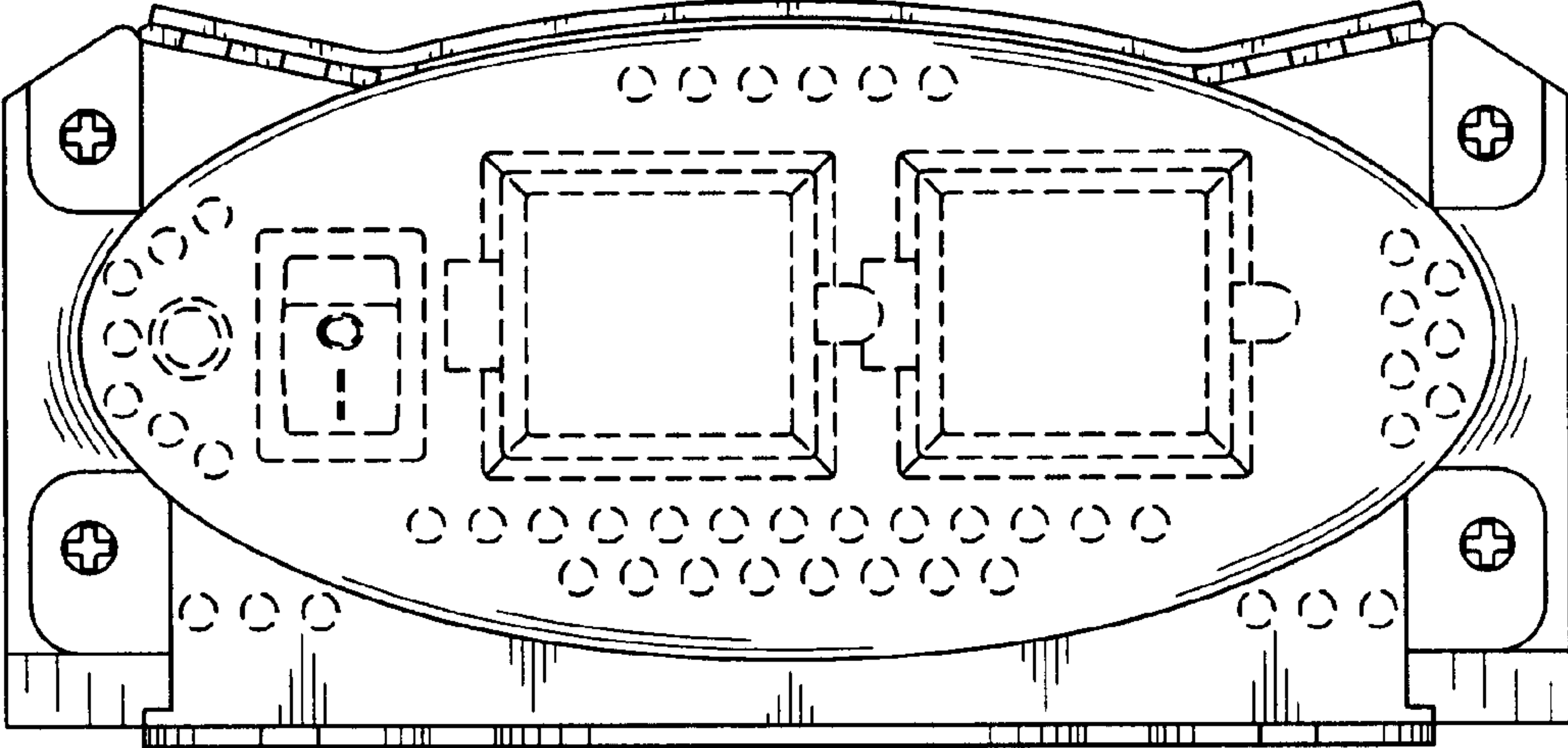


Fig. 11

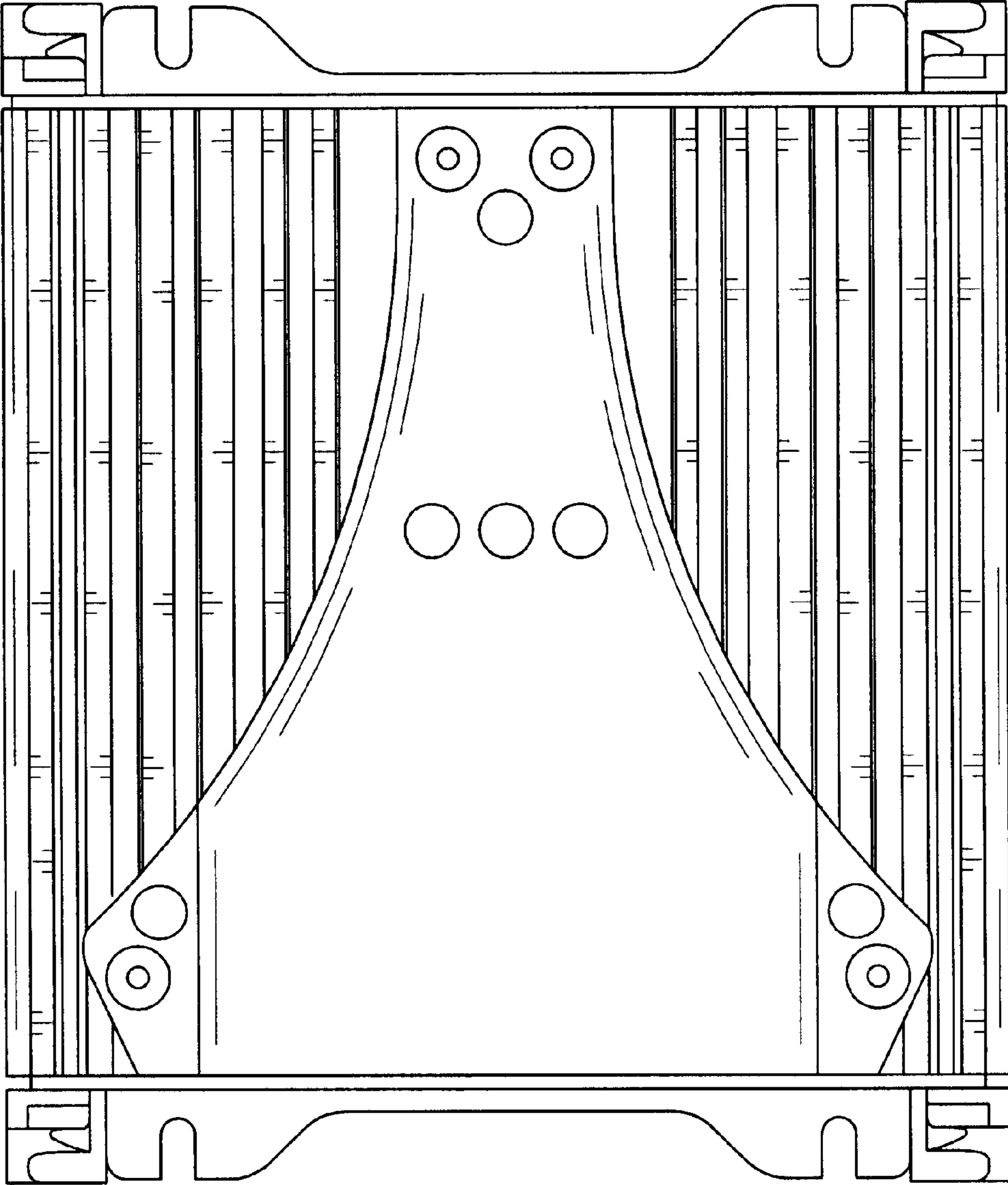


Fig. 12

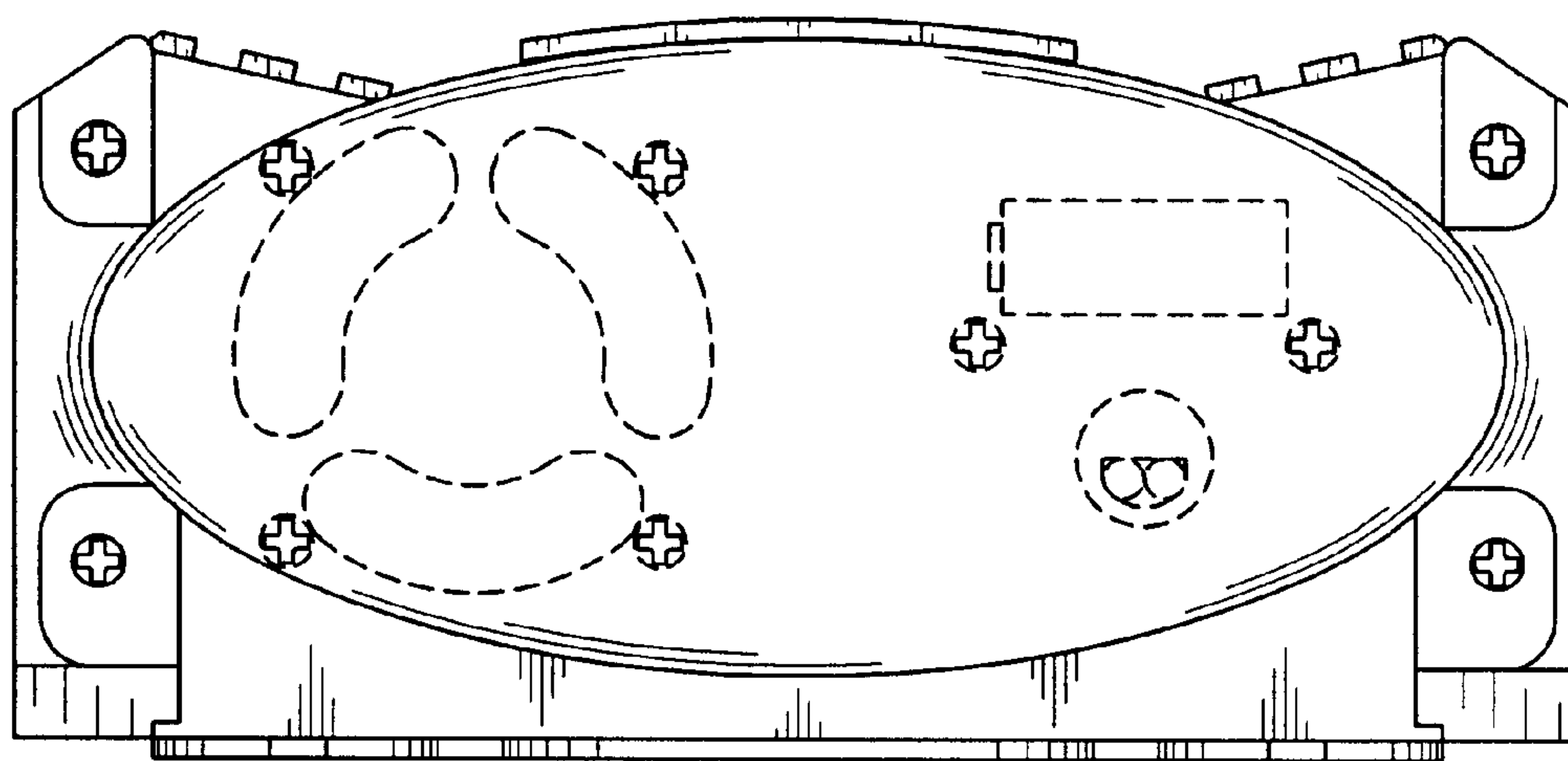


Fig. 13

