

US00D505914S

(12) **United States Design Patent**  
**Krieger et al.**

(10) **Patent No.: US D505,914 S**  
(45) **Date of Patent: \*\* Jun. 7, 2005**

(54) **JUMP STARTER**  
(75) Inventors: **Michael Krieger**, Miami Beach, FL  
(US); **Kevin Ellsworth**, Hollywood, FL  
(US)  
(73) Assignee: **Vector Products, Inc.**, Ft. Lauderdale,  
FL (US)  
(\*\*) Term: **14 Years**

D446,500 S 8/2001 Krieger et al. .... D13/110  
RE37,482 E \* 12/2001 Guay et al. .... D13/110  
6,356,050 B1 3/2002 Hussaini ..... 320/105  
D464,619 S 10/2002 Krieger et al. .... D13/110  
D464,935 S \* 10/2002 Krieger et al. .... D13/110  
D466,077 S \* 11/2002 Wang ..... D13/110  
D474,151 S \* 5/2003 James et al. .... D13/119  
D480,357 S 10/2003 Miao ..... D13/107  
D482,324 S 11/2003 James et al. .... D13/107  
D483,326 S 12/2003 Krieger et al. .... D13/107

\* cited by examiner

(21) Appl. No.: **29/208,497**  
(22) Filed: **Jun. 30, 2004**

*Primary Examiner*—Alan P. Douglas  
*Assistant Examiner*—Rosemary Tarcza  
(74) *Attorney, Agent, or Firm*—Venable LLP; Robert  
Kinberg

**Related U.S. Application Data**

(63) Continuation of application No. 29/186,102, filed on Jul. 10,  
2003, now Pat. No. Des. 493,418.  
(51) **LOC (8) Cl.** ..... **13-02**  
(52) **U.S. Cl.** ..... **D13/107**  
(58) **Field of Search** ..... D13/106–108,  
D13/110; D14/251, 253; 320/105, 107–116

(57) **CLAIM**

The ornamental design for a jump starter, as shown and  
described.

**DESCRIPTION**

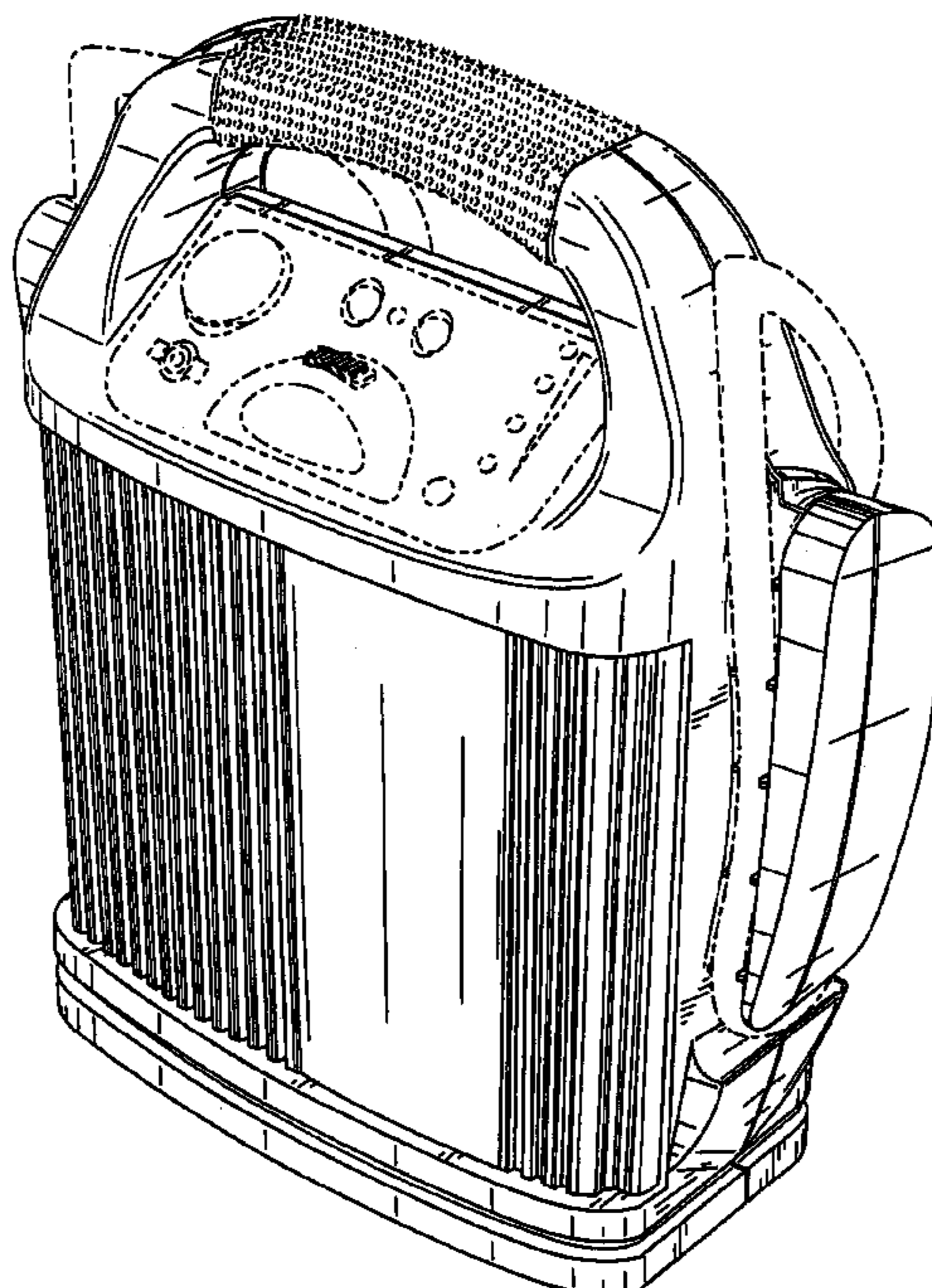
FIG. 1 is a perspective view from the front-top-right side of  
the jump starter showing our new design;  
FIG. 2 is a front view of the design shown in FIG. 1;  
FIG. 3 is a rear view of the design shown in FIG. 1;  
FIG. 4 is a right side view of the design shown in FIG. 1;  
FIG. 5 is a left side view of the design shown in FIG. 1;  
FIG. 6 is a top view of the design shown in FIG. 1; and,  
FIG. 7 is a bottom view of the design shown in FIG. 1.  
The broken lines immediately adjacent the shaded areas  
represent the bounds of the claimed design while all other  
broken lines are for illustrative purposes only; the broken  
lines form no part of the claimed design.

(56) **References Cited**

**U.S. PATENT DOCUMENTS**

D374,859 S \* 10/1996 Guay et al. .... D13/110  
D403,660 S \* 1/1999 Poon ..... D13/106  
D403,661 S \* 1/1999 Mariani ..... D13/106  
D407,065 S \* 3/1999 Chang ..... D13/110  
5,982,138 A 11/1999 Krieger ..... 320/105  
D417,429 S \* 12/1999 Brezovar et al. .... D13/107  
6,002,235 A 12/1999 Clore ..... 320/105  
D423,451 S \* 4/2000 Heckenast et al. .... D13/110  
D432,985 S 10/2000 Wan ..... D13/107  
6,215,273 B1 4/2001 Shy ..... 320/105  
D444,125 S \* 6/2001 Shy ..... D13/110

**1 Claim, 7 Drawing Sheets**



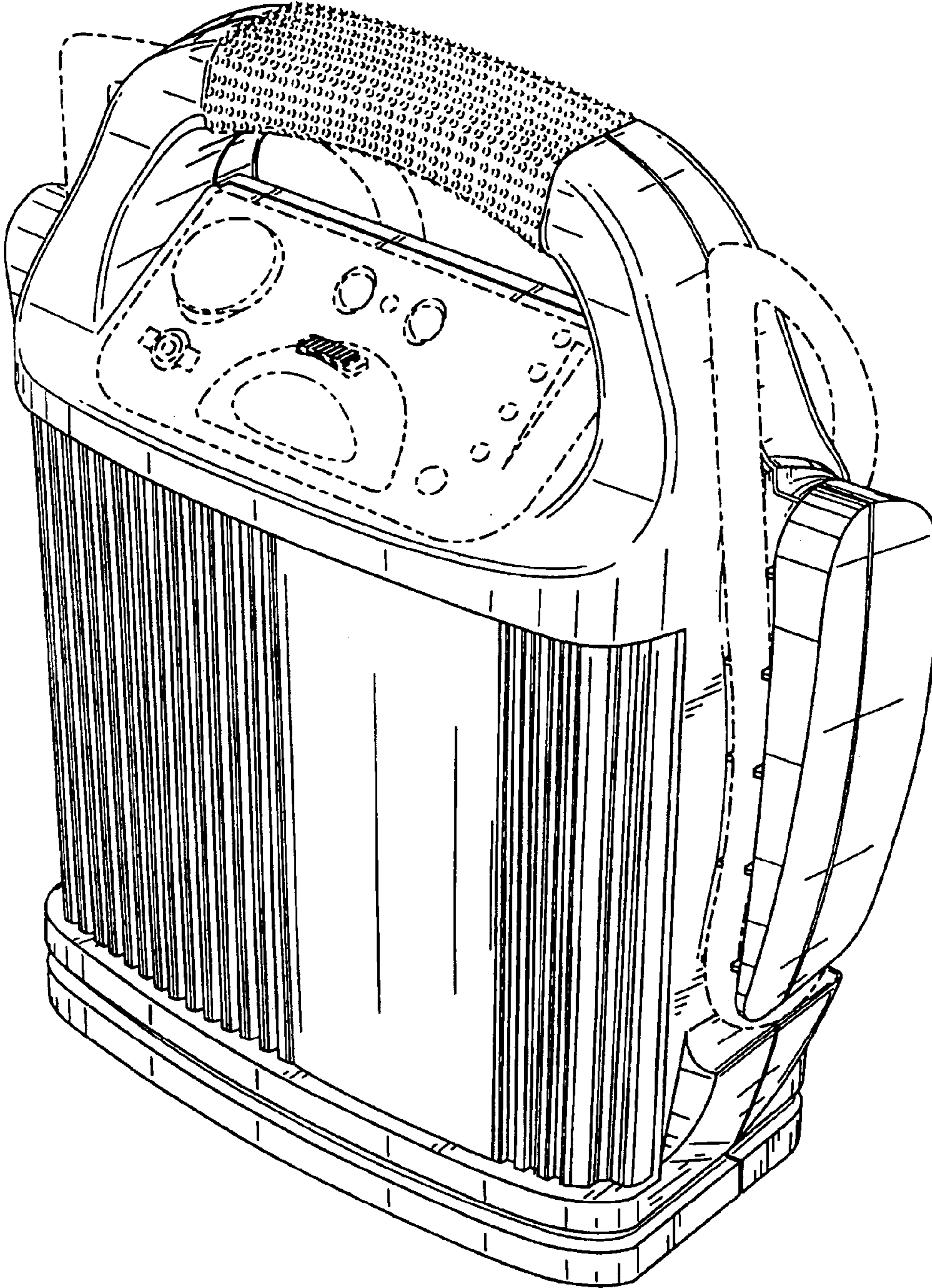


FIG. 1

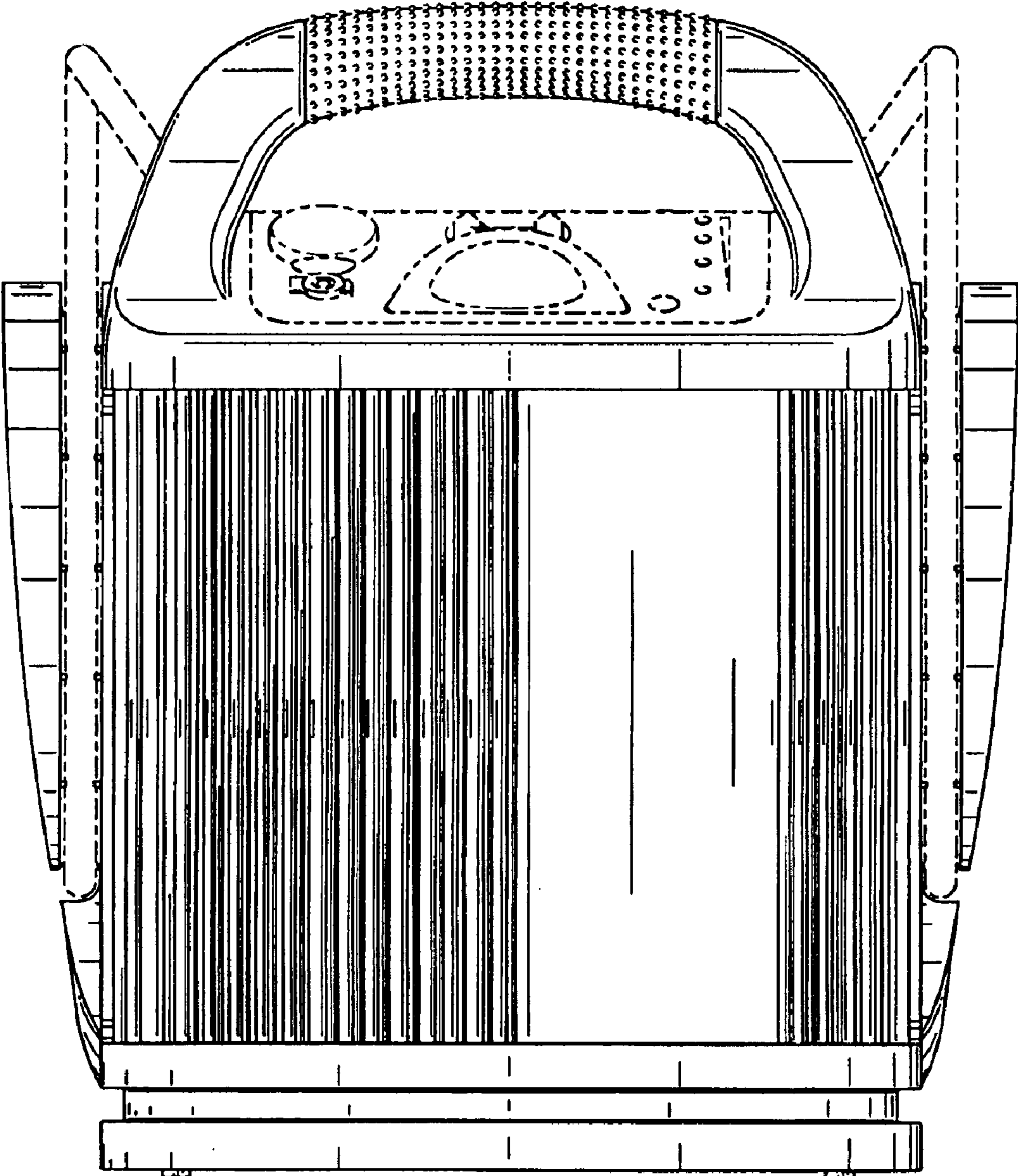


FIG. 2

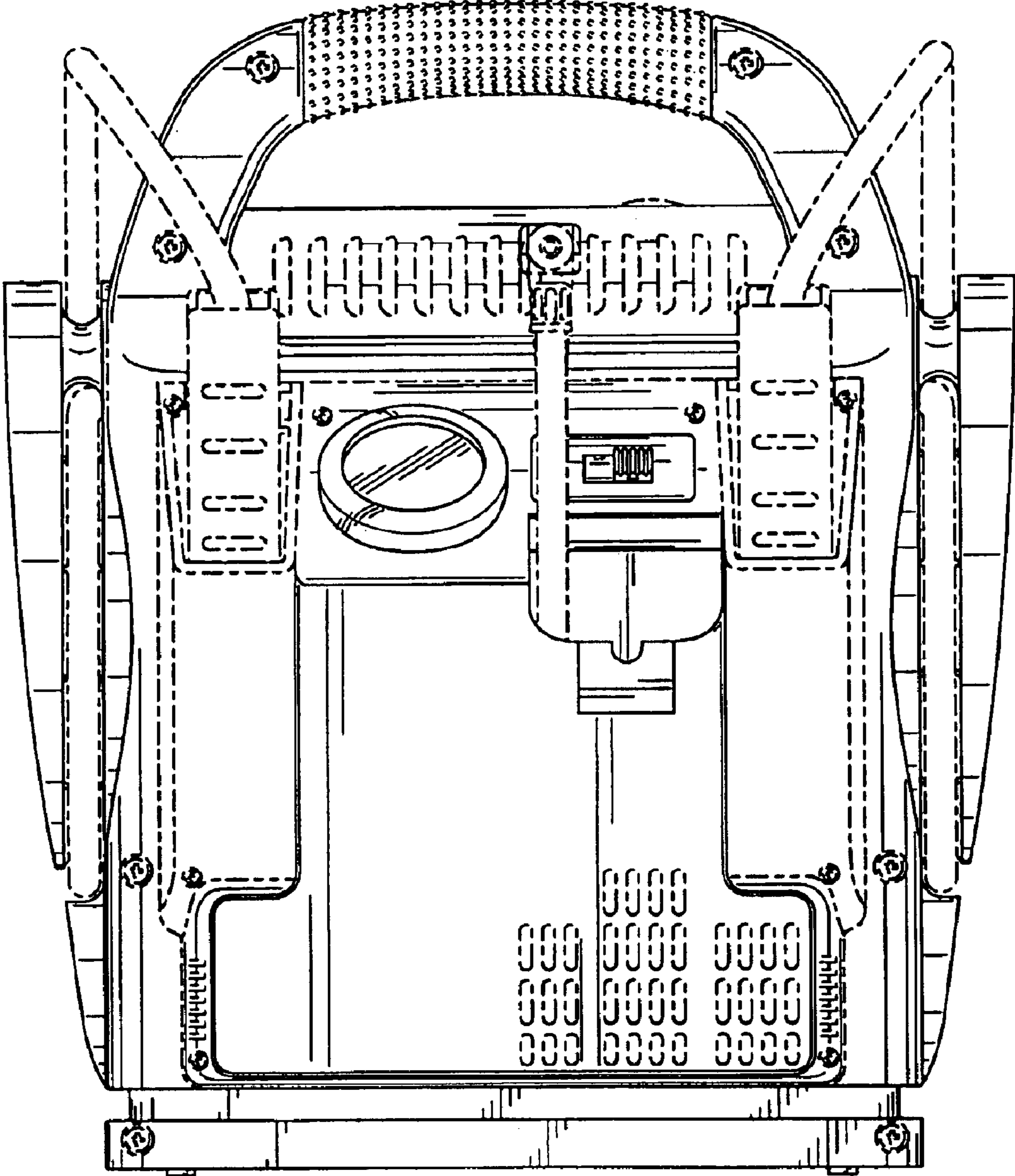


FIG. 3

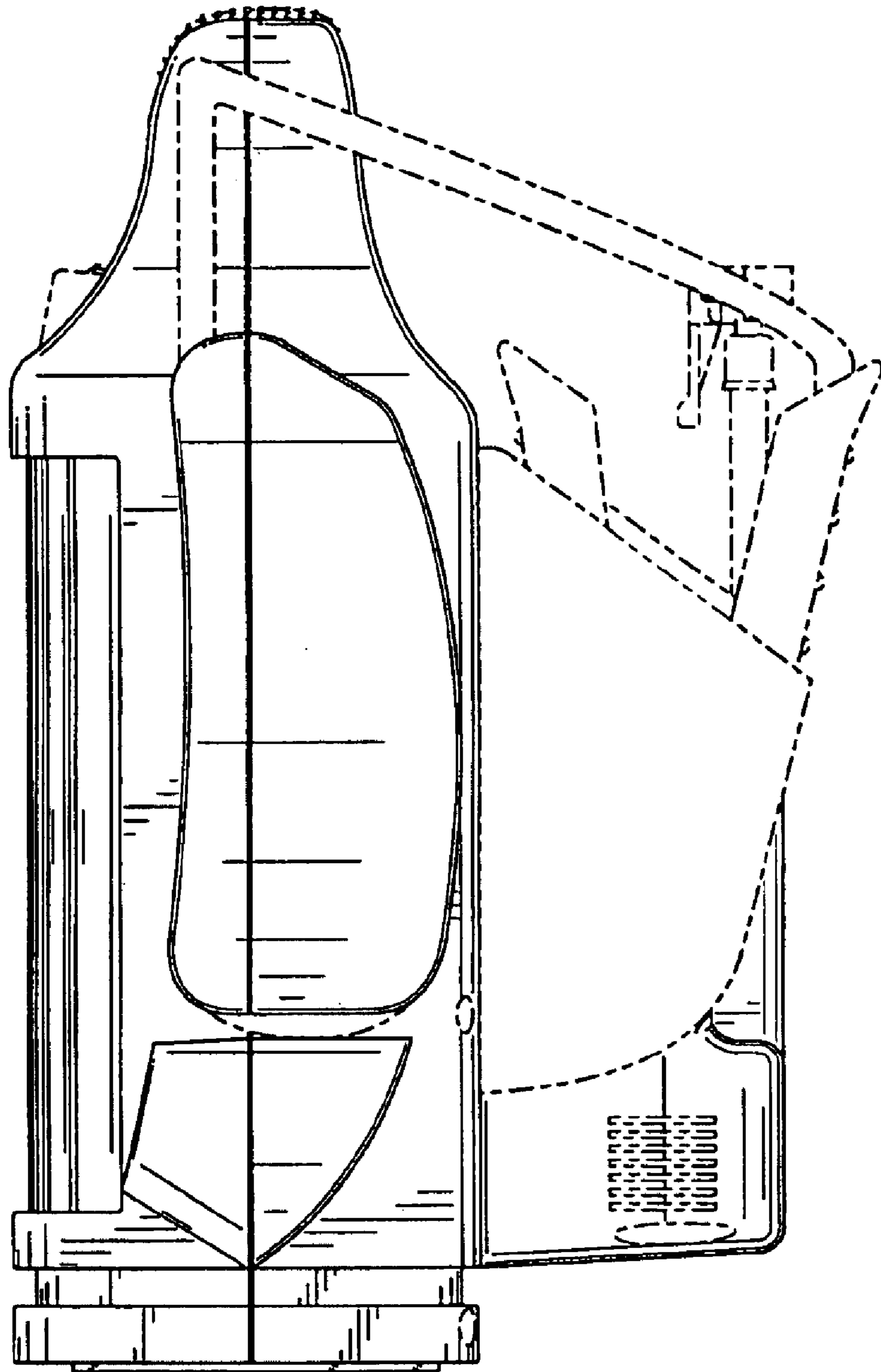


FIG. 4

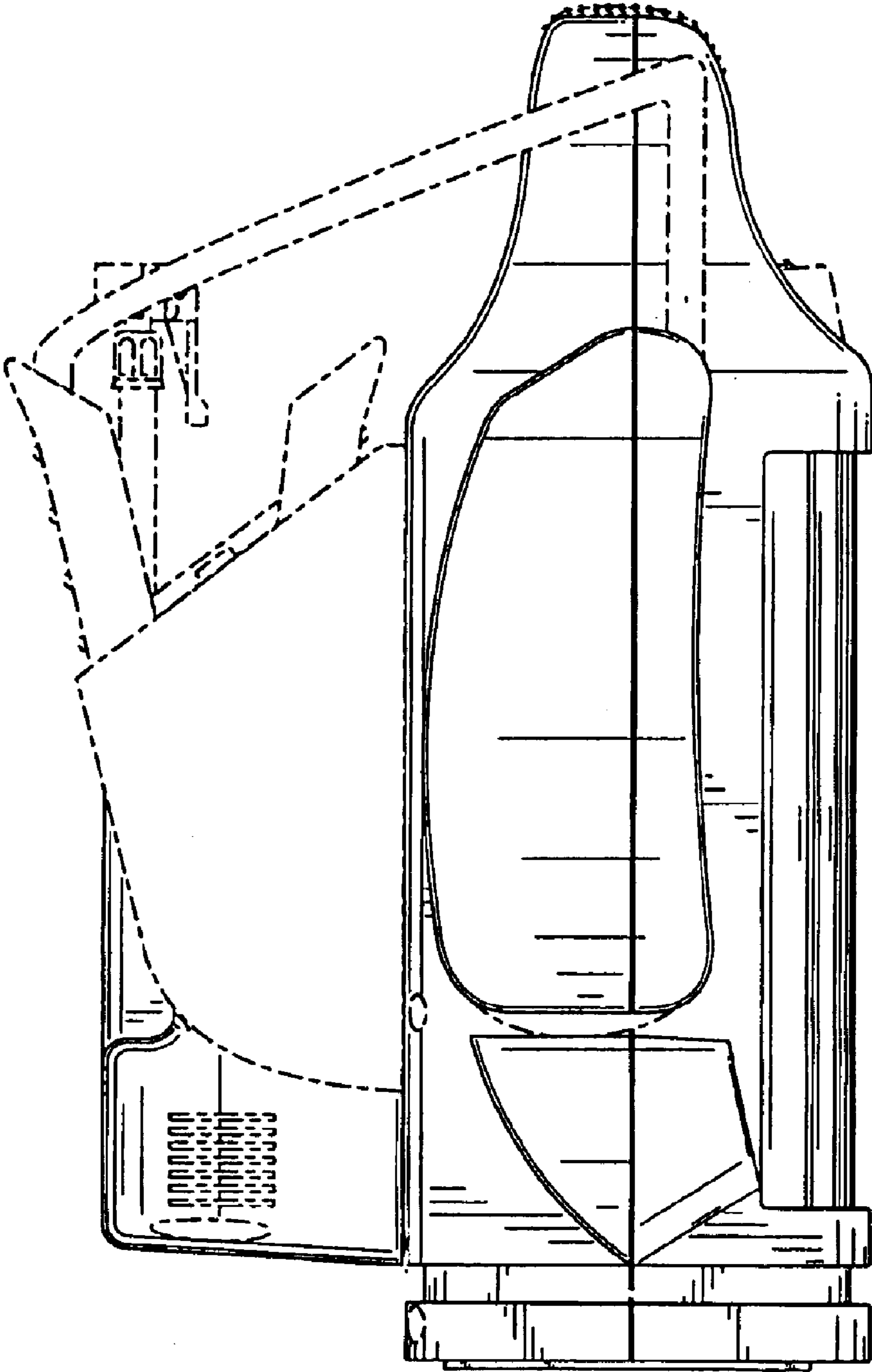


FIG. 5

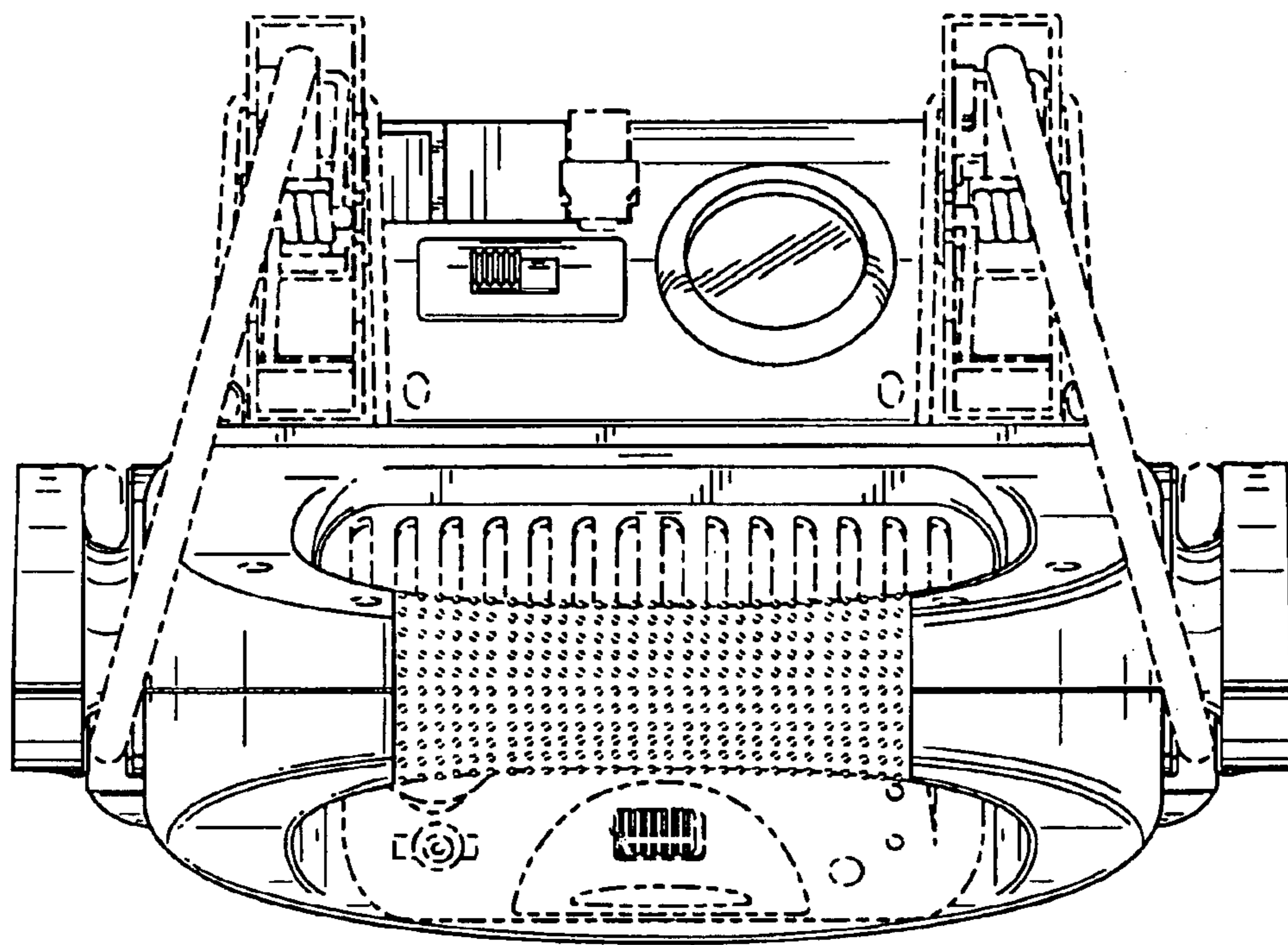


FIG. 6

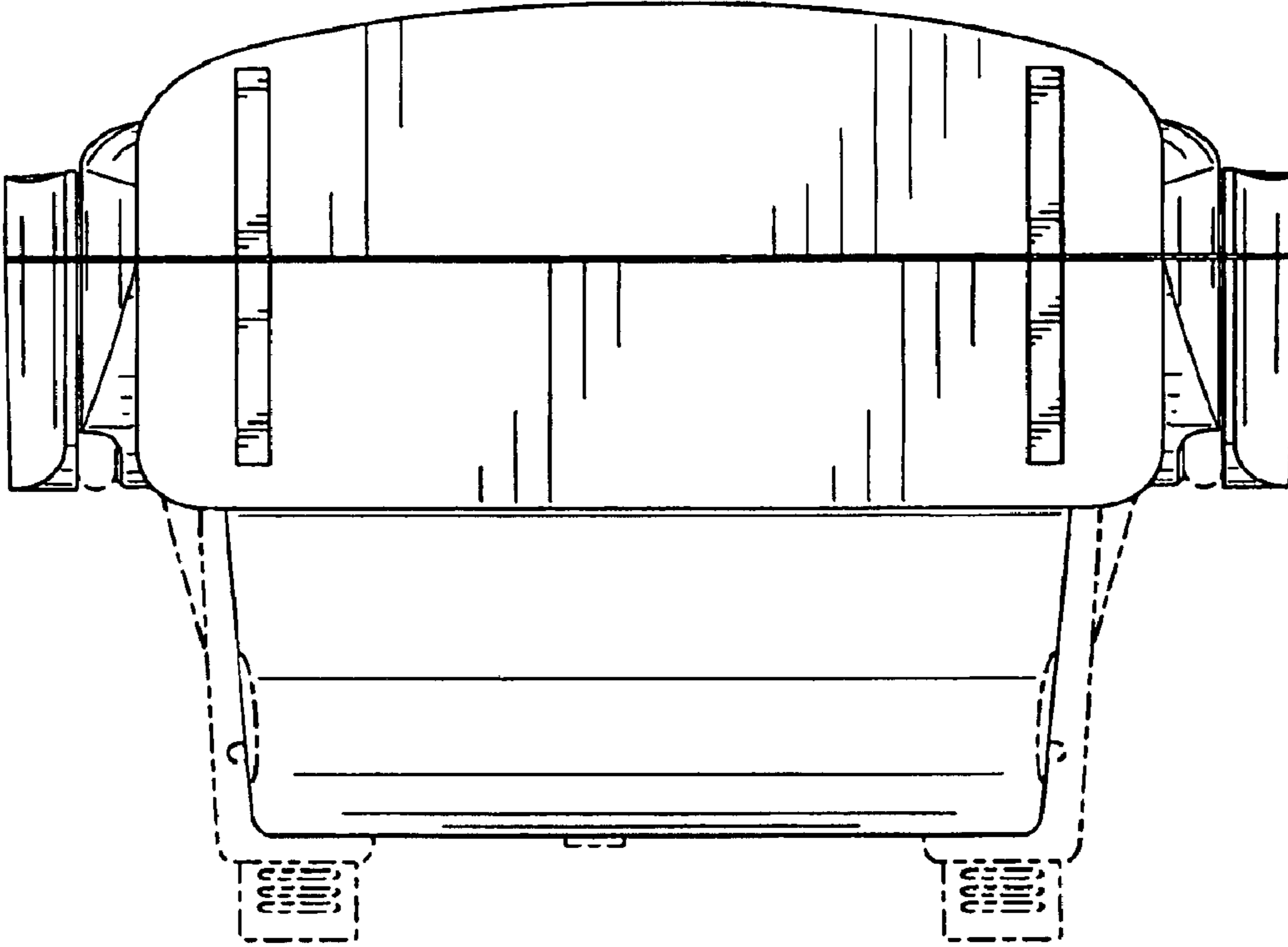


FIG. 7