

US00D505913S

(12) **United States Design Patent**
Kam Lun et al.

(10) **Patent No.: US D505,913 S**
(45) **Date of Patent: ** Jun. 7, 2005**

(54) **CHARGER**
(75) Inventors: **Tailun Sham Kam Lun**, Tai Po (HK);
Thomas Mathew Parel, Anderson, SC
(US)
(73) Assignee: **One World Technologies, Limited**,
Hamilton (BM)
(**) Term: **14 Years**
(21) Appl. No.: **29/188,087**
(22) Filed: **Aug. 12, 2003**
(51) **LOC (8) Cl. 13-02**
(52) **U.S. Cl. D13/107**
(58) **Field of Search D13/107-110,**
D13/118, 184; D14/251, 253, 432, 434;
D16/219, 237, 242; 320/107-115

5,810,168 A 9/1998 Eggering 455/344 X
D400,165 S 10/1998 Nagele et al. D13/108
D418,836 S 1/2000 Matt D14/196
6,014,011 A 1/2000 DeFelice 455/244
6,215,276 B1 4/2001 Smith 320/112 X
D441,267 S 5/2001 Heun D8/61
D443,491 S 6/2001 Robson D8/61
D444,451 S 7/2001 Bailey D14/168 X
D453,731 S 2/2002 Hauptli D13/108
6,346,793 B1 * 2/2002 Shibata et al. 320/113
D460,412 S * 7/2002 Nawrozki D13/107
6,427,070 B1 7/2002 Smith 455/344 X
6,456,837 B1 9/2002 Domes 455/344
D472,875 S * 4/2003 Garvis et al. D13/107
D487,570 S * 3/2004 Ito et al. D13/107
2003/0178968 A1 * 9/2003 Sakakibara et al. 320/110
2004/0135542 A1 * 7/2004 Ito 320/107

* cited by examiner

Primary Examiner—Alan P. Douglas
Assistant Examiner—Rosemary Tarca
(74) *Attorney, Agent, or Firm*—Stephen J. Shaw; Nexsen
Pruet, LLC

(56) **References Cited**

U.S. PATENT DOCUMENTS

D278,426 S * 4/1985 Lanci et al. D13/107
4,571,740 A 2/1986 Kirby et al. 455/344
D295,601 S 5/1988 Svetlik D8/61
D298,119 S * 10/1988 Richards et al. D13/108
D298,230 S * 10/1988 Lay D13/107
4,803,341 A 2/1989 Barowski et al. 219/222
D303,107 S 8/1989 Maglica et al. D13/6
D304,543 S 11/1989 Somers et al. D8/61
D322,205 S 12/1991 Liu D8/61
D325,503 S 4/1992 Kikuchi et al. D8/61
D348,461 S 7/1994 Peersmann D14/196 X
D349,485 S * 8/1994 Richards et al. D13/107
D354,168 S 1/1995 Hartwein D4/108
D367,651 S * 3/1996 Hellier et al. D14/149
5,525,889 A 6/1996 Chan et al. 320/2
5,742,149 A * 4/1998 Simpson 320/113
5,780,991 A * 7/1998 Brake et al. 320/112

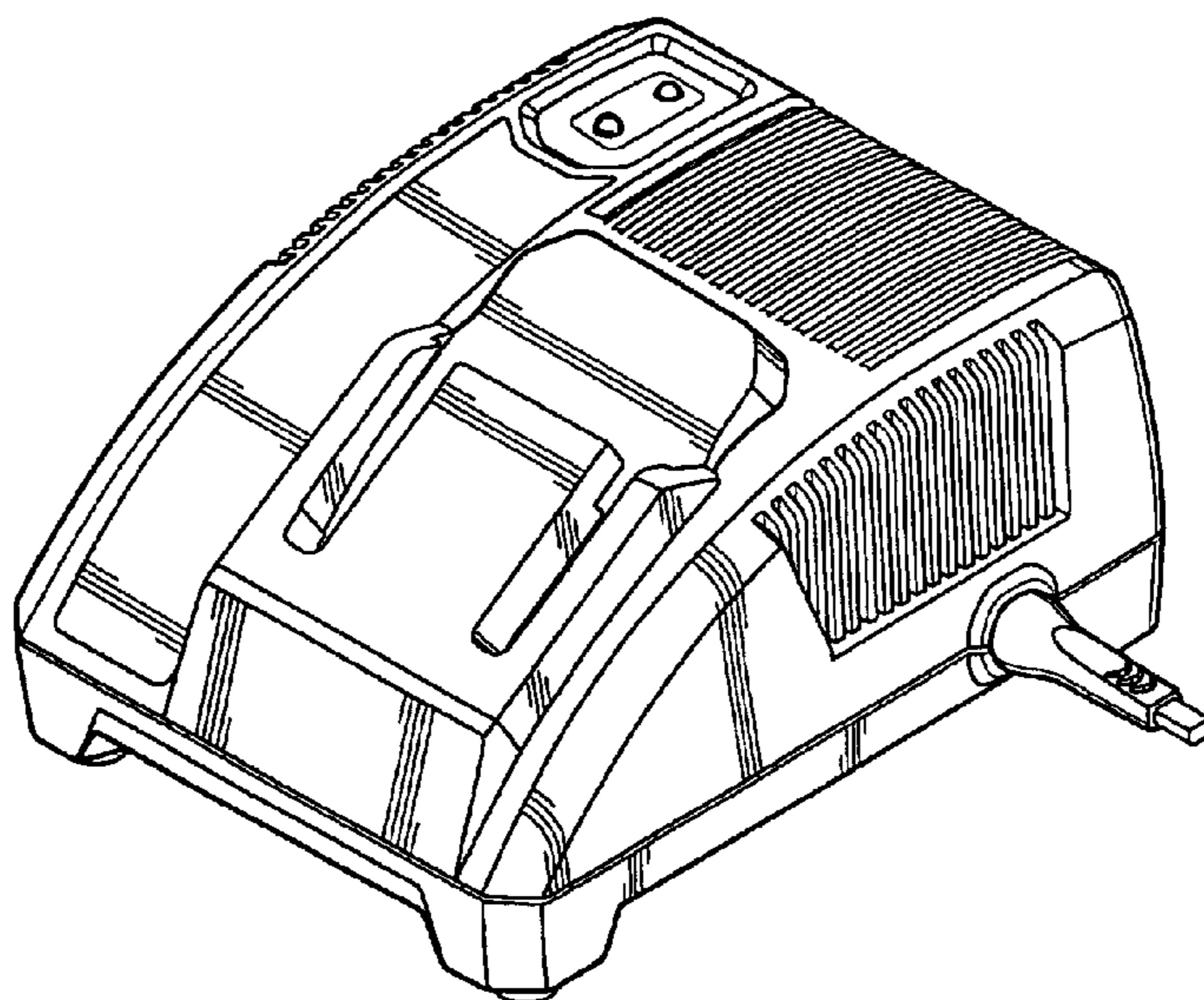
(57) **CLAIM**

The ornamental design for a charger, as shown and described.

DESCRIPTION

FIG. 1 is a front perspective view of the charger of the present invention;
FIG. 2 is a right side elevational view thereof;
FIG. 3 is a left side elevational view thereof;
FIG. 4 is a front end view thereof;
FIG. 5 is a rear end view thereof;
FIG. 6 is a top view thereof; and,
FIG. 7 is a bottom view thereof.

1 Claim, 4 Drawing Sheets



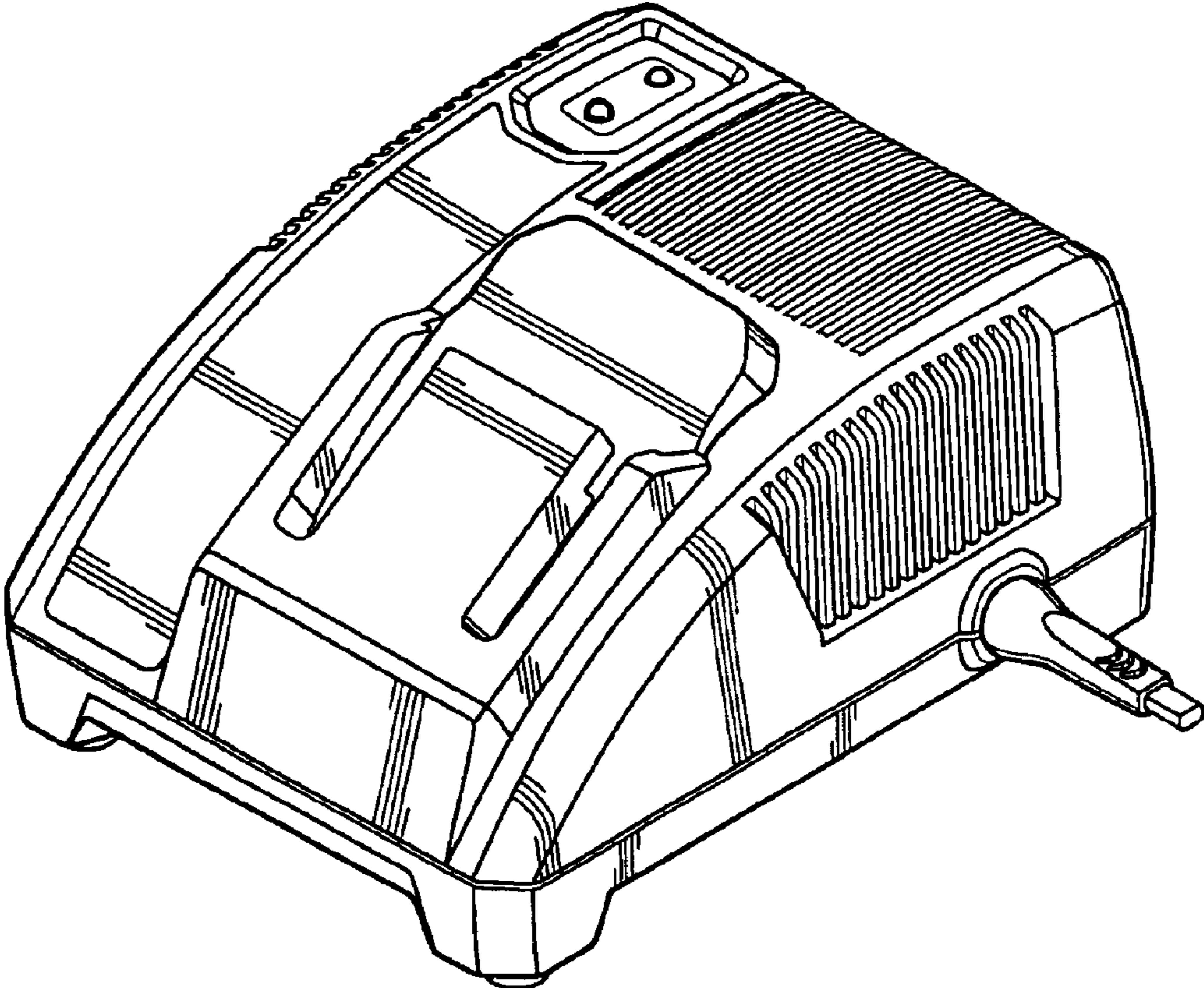


FIG. 1

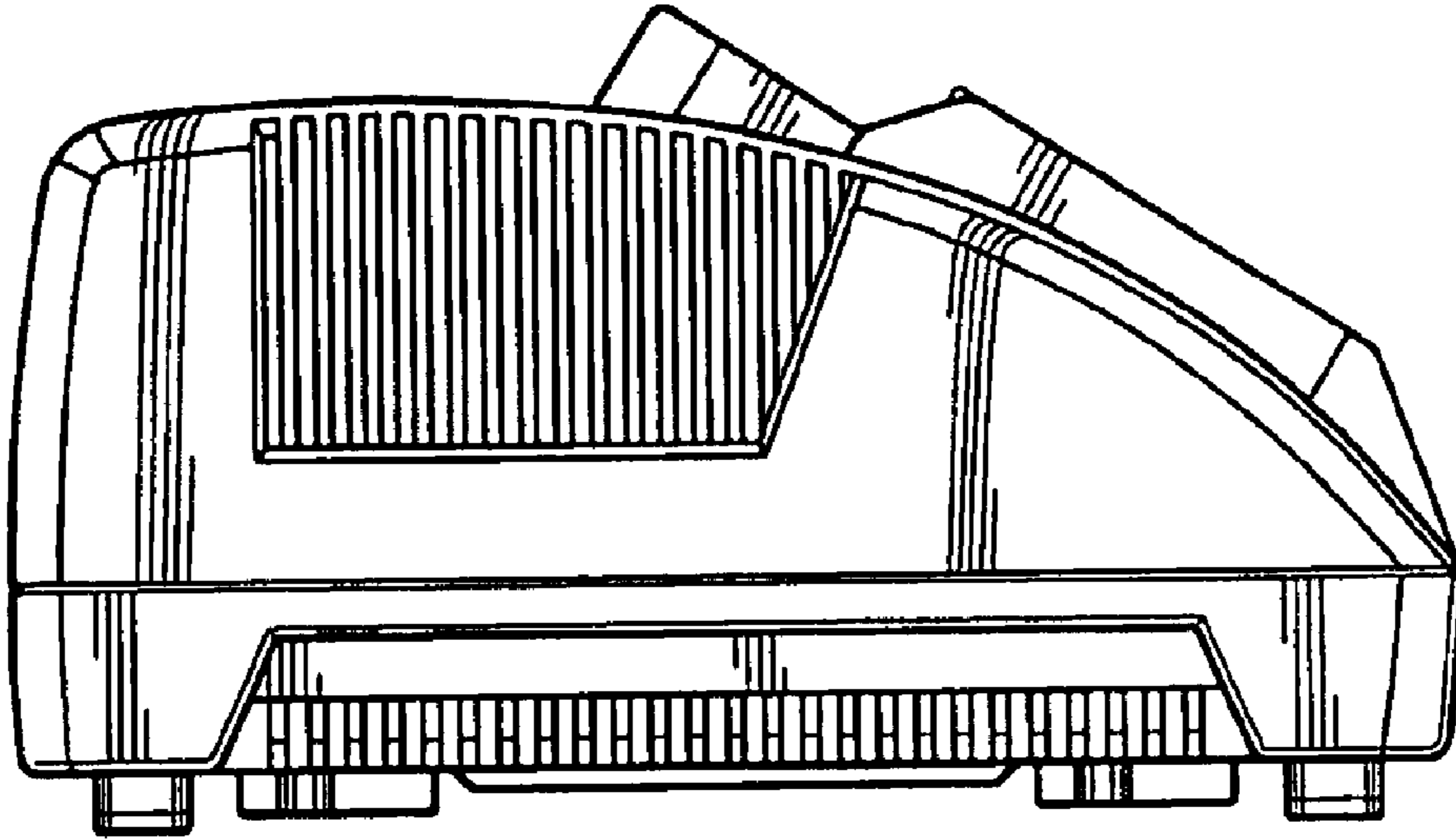


FIG. 2

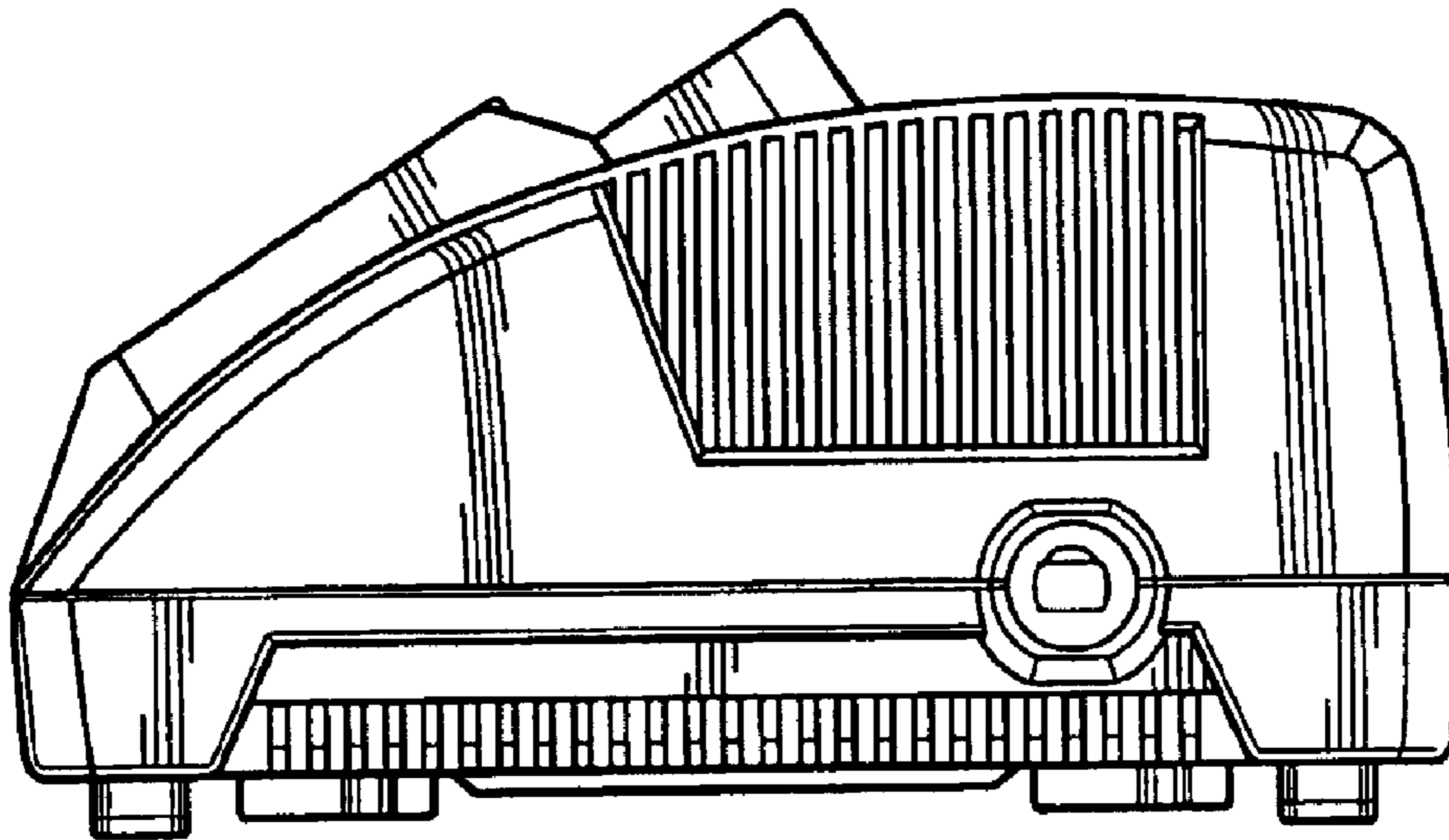


FIG. 3

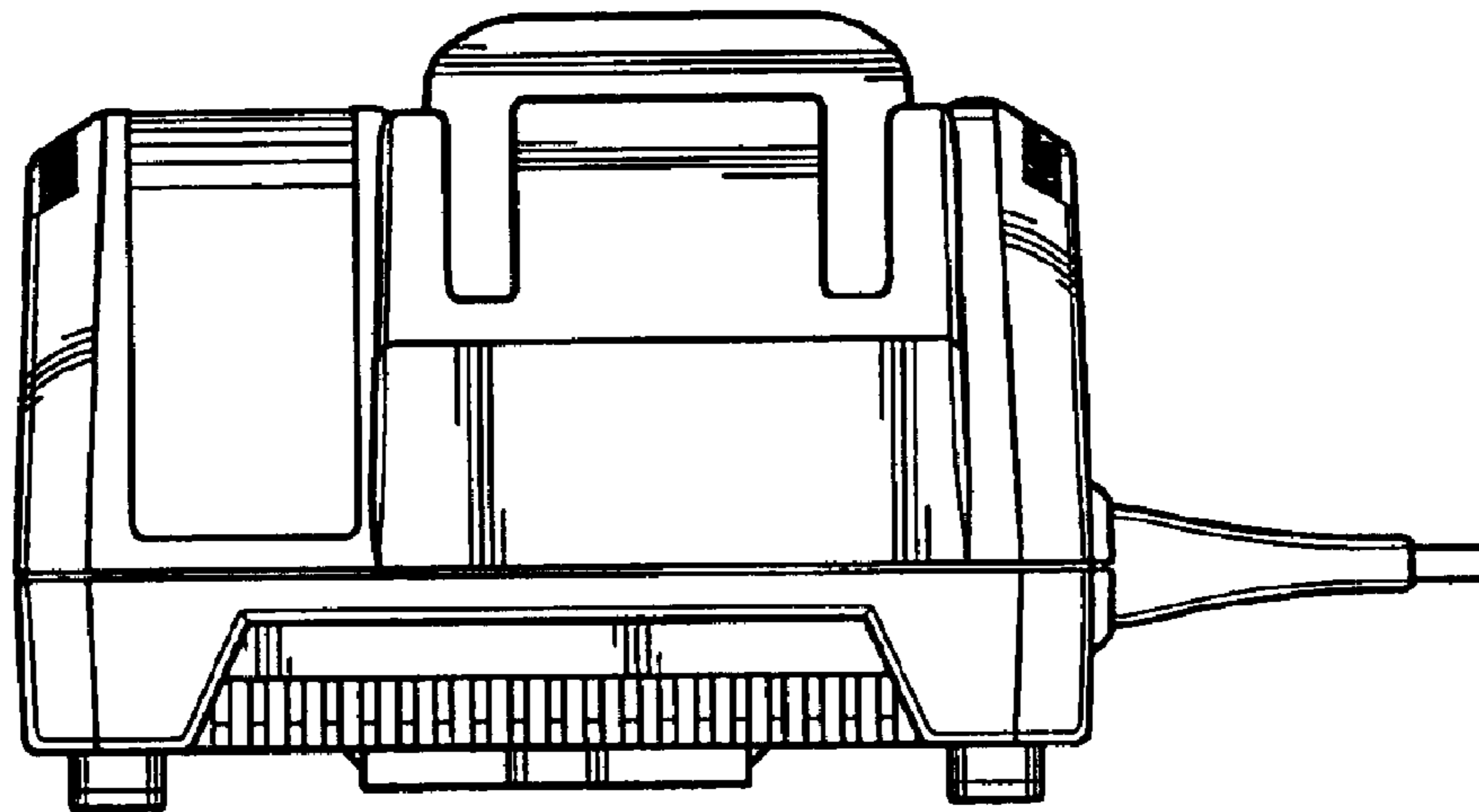


FIG. 4

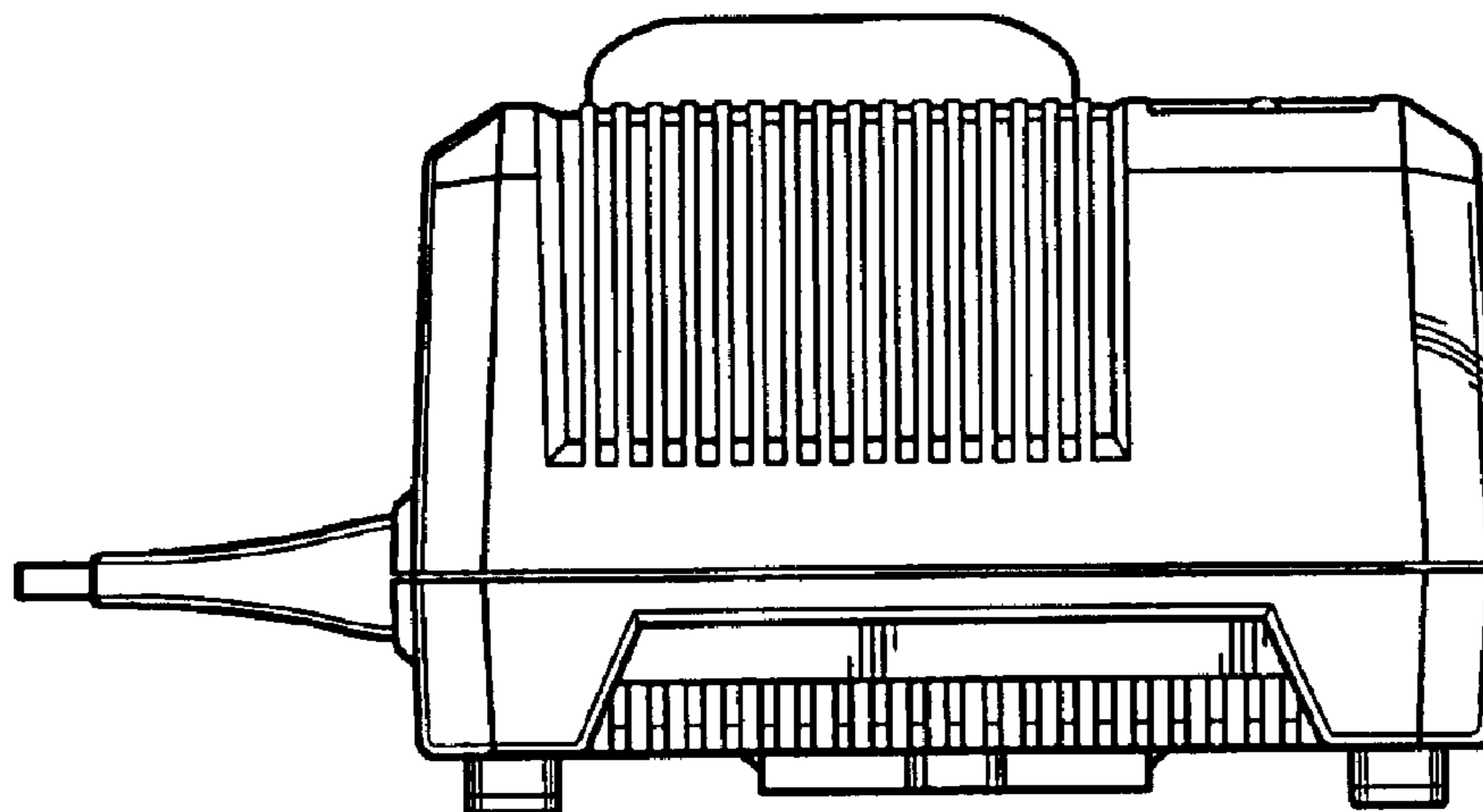


FIG. 5

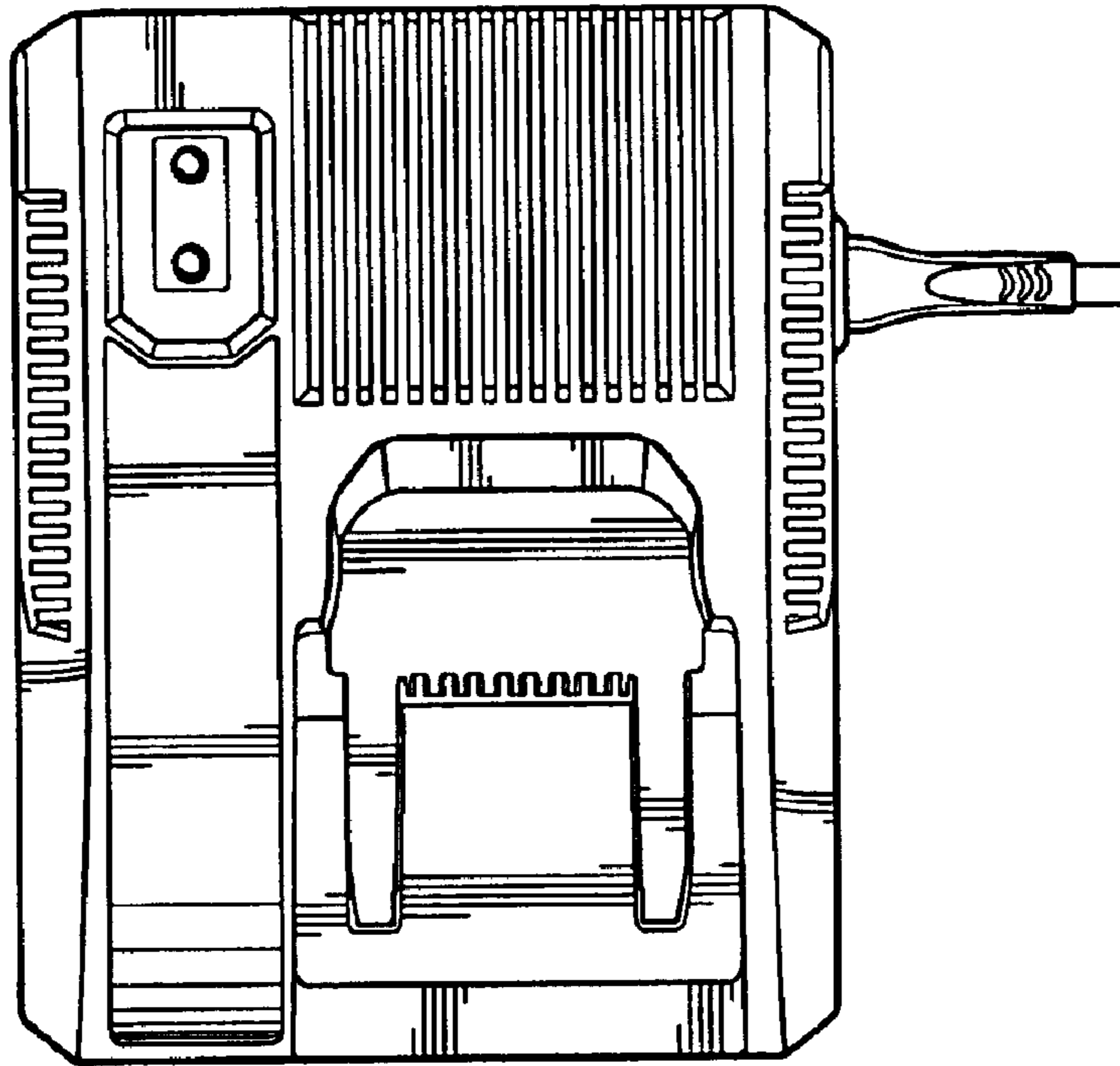


FIG. 6

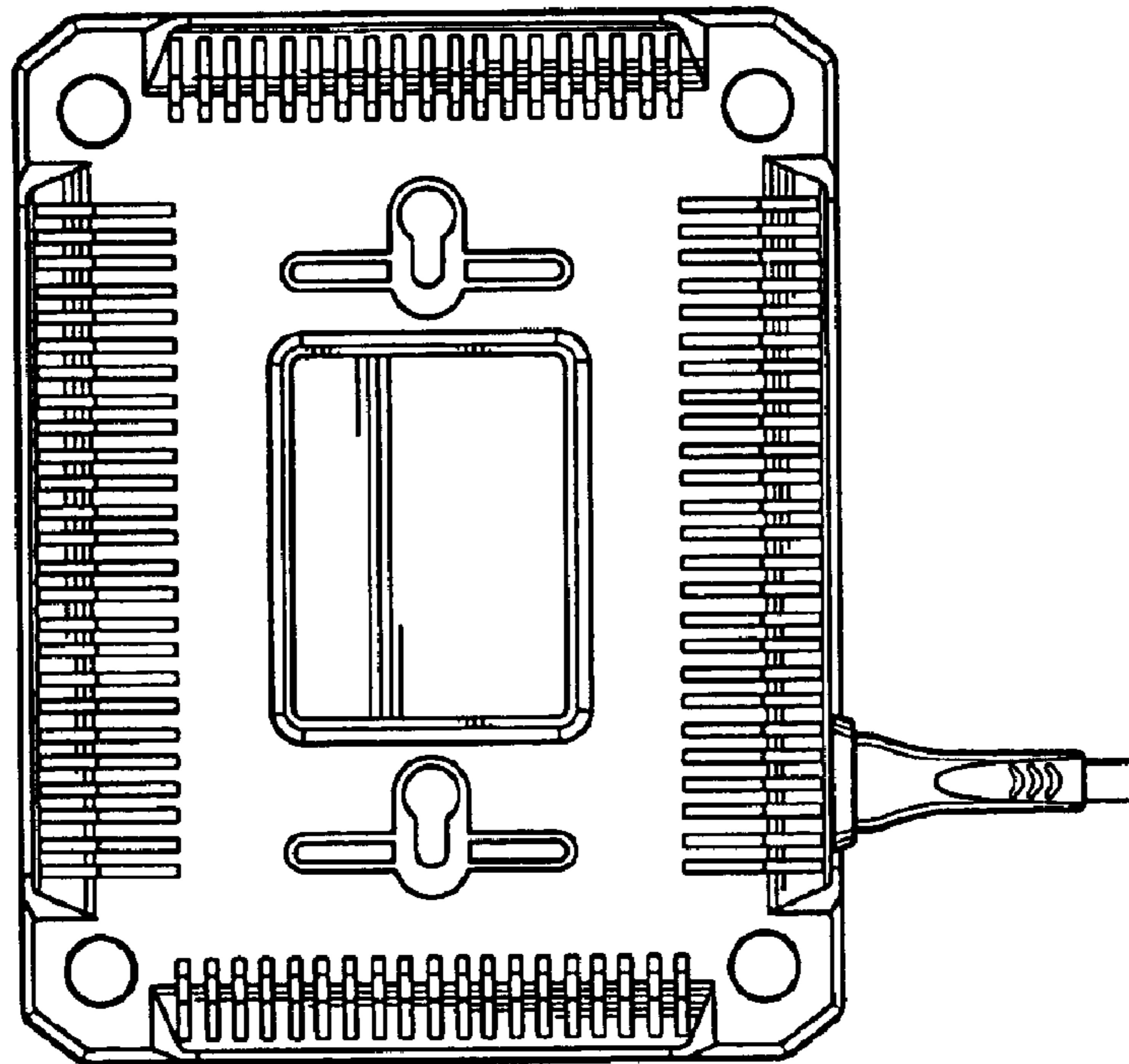


FIG. 7