

US00D505911S

(12) **United States Design Patent**
Huang

(10) **Patent No.:** **US D505,911 S**
(45) **Date of Patent:** **** Jun. 7, 2005**

- (54) **COMPACT DISC AND OTHER ACCESSORY HOLDER FOR USE WITH A VISOR**
- (76) Inventor: **Sunny E. L. Huang**, 786 Via Monte Video, Claremont, CA (US) 91711
- (**) Term: **14 Years**
- (21) Appl. No.: **29/200,047**
- (22) Filed: **Feb. 23, 2004**
- (51) **LOC (8) Cl.** **12-16**
- (52) **U.S. Cl.** **D12/417**
- (58) **Field of Search** D12/417, 191, D12/415; D3/247-249, 215, 226, 252-253; D14/251-253; 206/308.1, 312-313; 296/97.1, 97.11; 224/311-312, 275, 929; 379/454-455

- D434,366 S 11/2000 Eskandry
- D434,368 S 11/2000 Eskandry
- D435,511 S * 12/2000 Eskandry D12/417
- D436,916 S 1/2001 Eskandry
- 6,186,320 B1 2/2001 Drew
- D446,765 S 8/2001 Bergh et al.
- D451,882 S 12/2001 Hassett et al.
- 6,325,207 B2 12/2001 Drew
- D453,728 S 2/2002 Hassett
- D465,324 S 11/2002 Matthew
- D472,512 S * 4/2003 Palmer D12/417
- D474,602 S 5/2003 Kranz
- D474,732 S * 5/2003 Hillman D12/417
- D479,503 S 9/2003 Robinson

* cited by examiner

Primary Examiner—Stacia Cadmus
(74) *Attorney, Agent, or Firm*—Paul M. Denk

(56) **References Cited**
U.S. PATENT DOCUMENTS

- 4,709,812 A 12/1987 Kosterka
- 4,850,731 A 7/1989 Youngs
- D362,159 S * 9/1995 Singh D12/417
- 5,590,827 A 1/1997 Nimpoeno
- D381,947 S * 8/1997 Bergh et al. D12/191
- D391,919 S * 3/1998 Brassard D12/417
- 5,762,246 A 6/1998 Drew
- 5,882,748 A 3/1999 Tomoda
- D415,731 S 10/1999 Bergh
- D419,520 S 1/2000 Bergh
- D424,926 S 5/2000 Bergh
- D425,474 S 5/2000 Bergh
- D430,534 S 9/2000 Golenz
- D432,981 S 10/2000 Eskandry

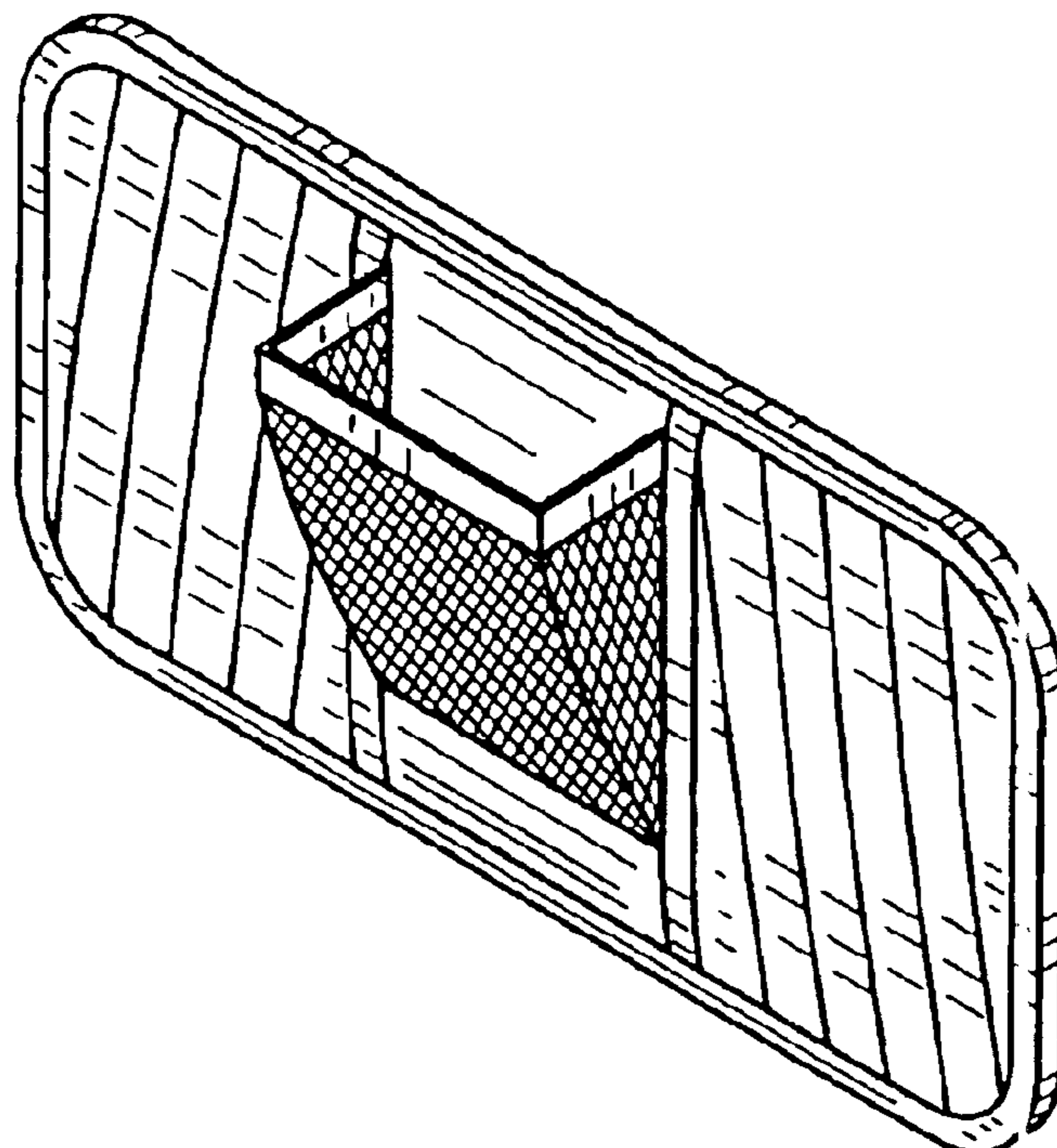
(57) **CLAIM**

The ornamental design for the compact disc and other accessory holder for use with a visor, as shown and described.

DESCRIPTION

FIG. 1 is an isometric view of the compact disc and other accessory holder for use with visor of this invention; FIG. 2 is a front view thereof; FIG. 3 is a back view thereof; FIG. 4 is a left side view; FIG. 5 is a right side view; FIG. 6 is a top plan view; and, FIG. 7 is a bottom view.

1 Claim, 1 Drawing Sheet



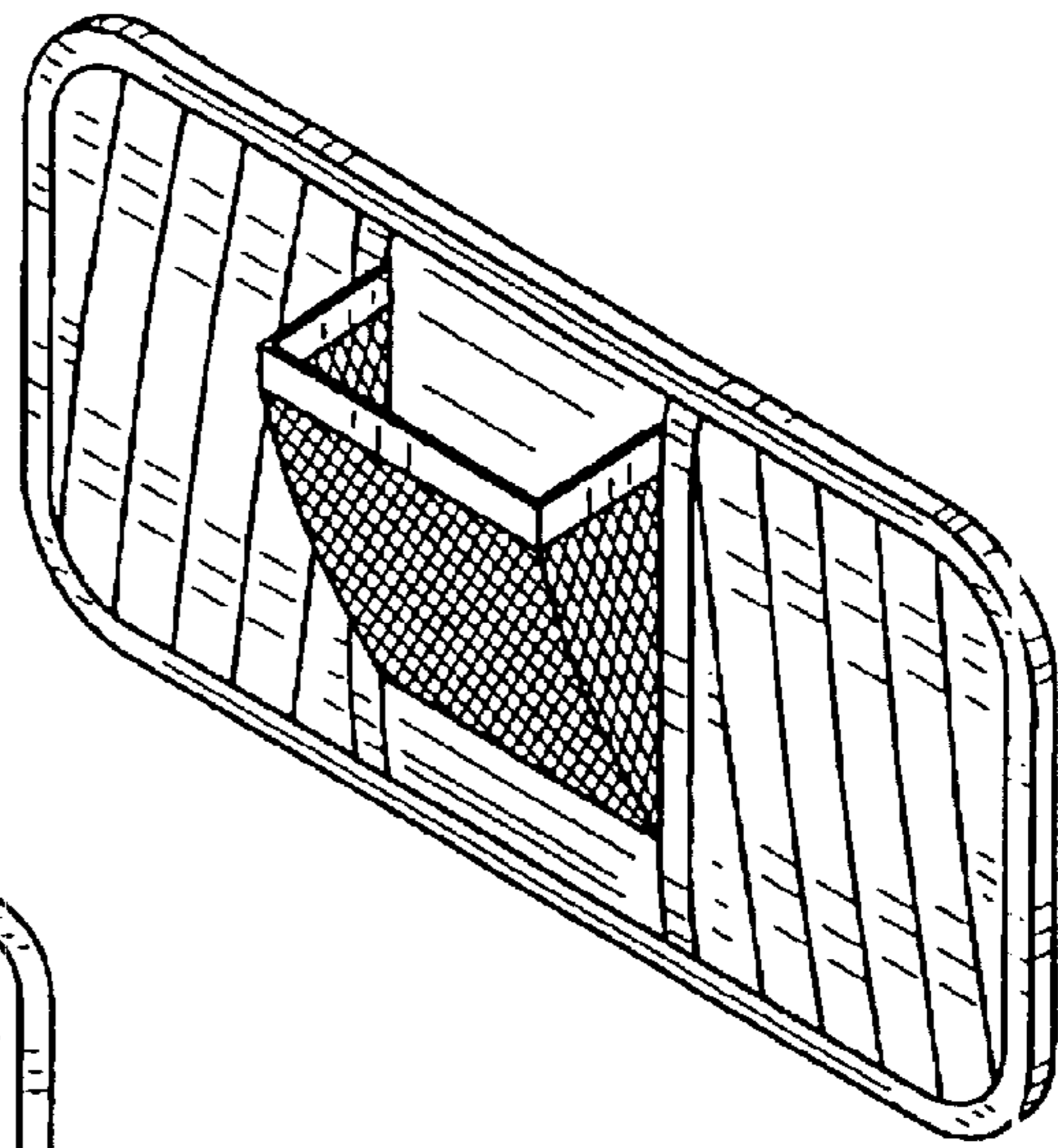


FIG. 1

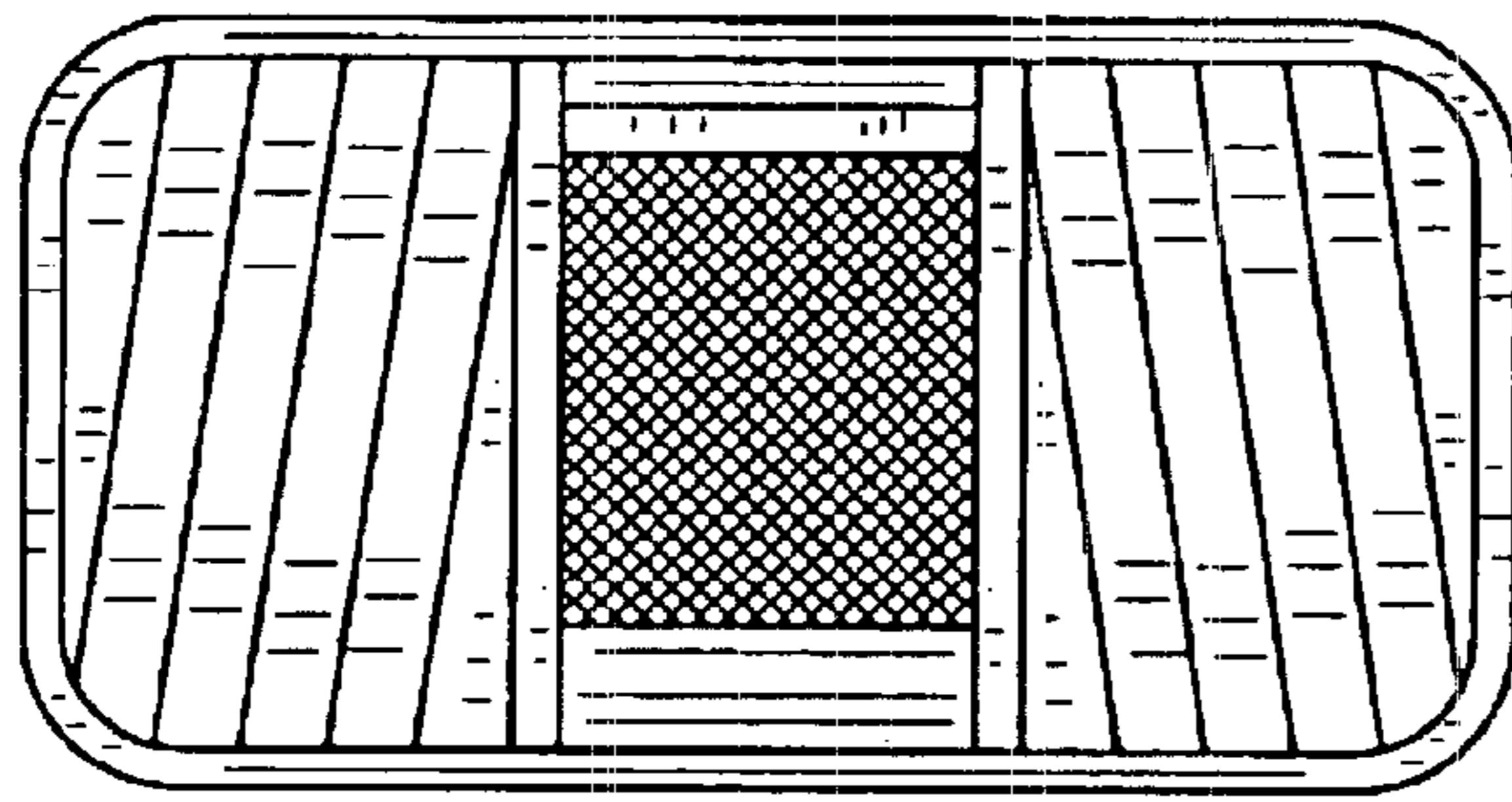


FIG. 2

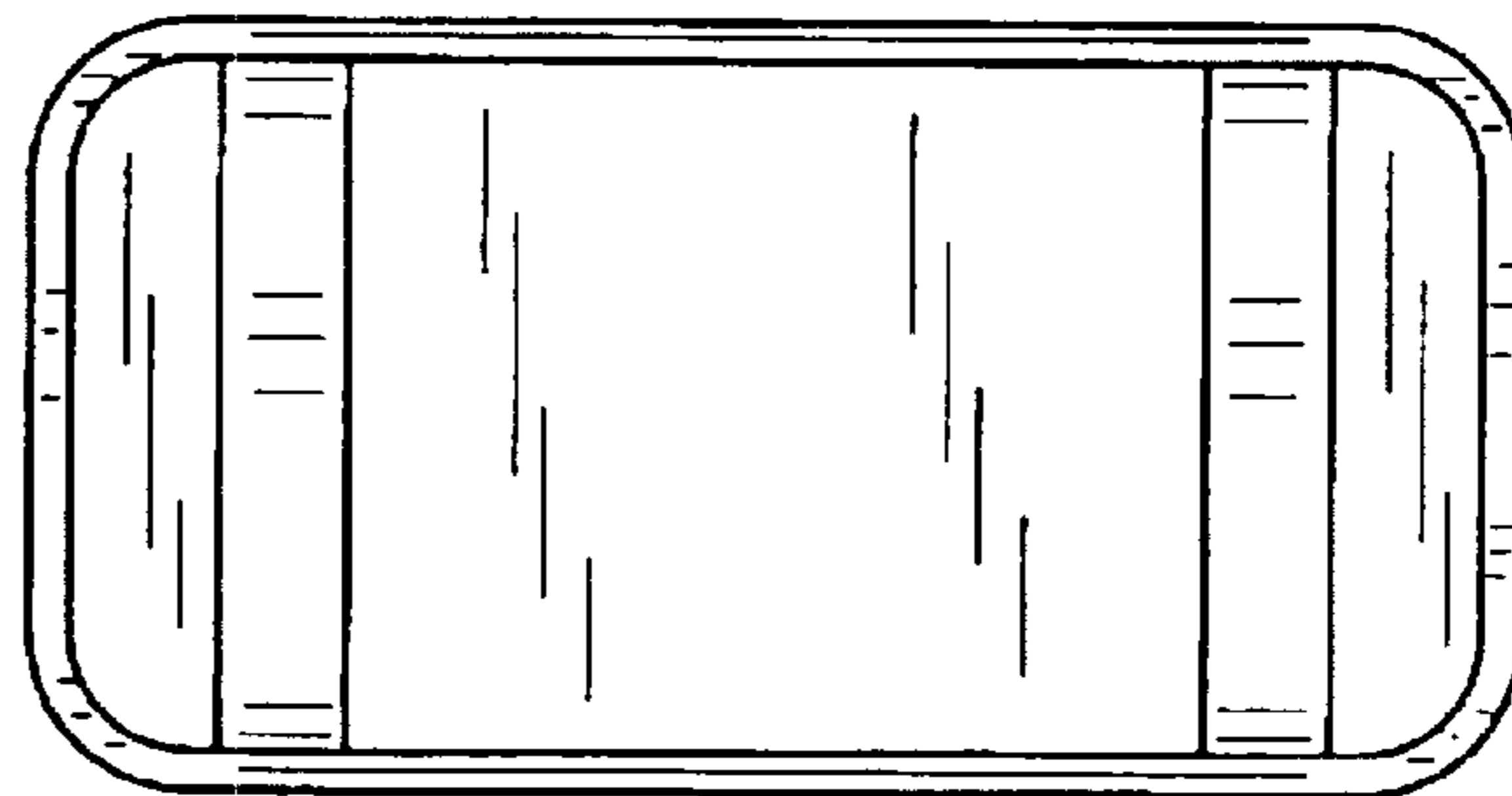


FIG. 3

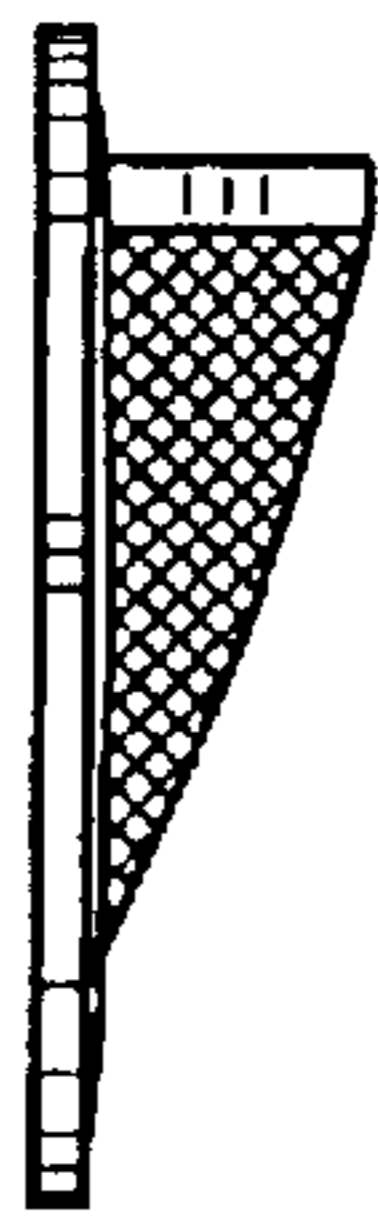


FIG. 4

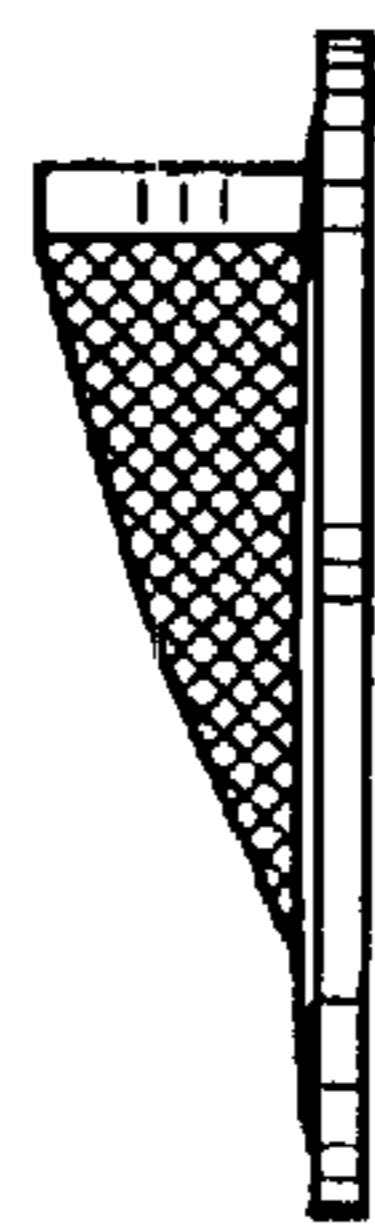


FIG. 5

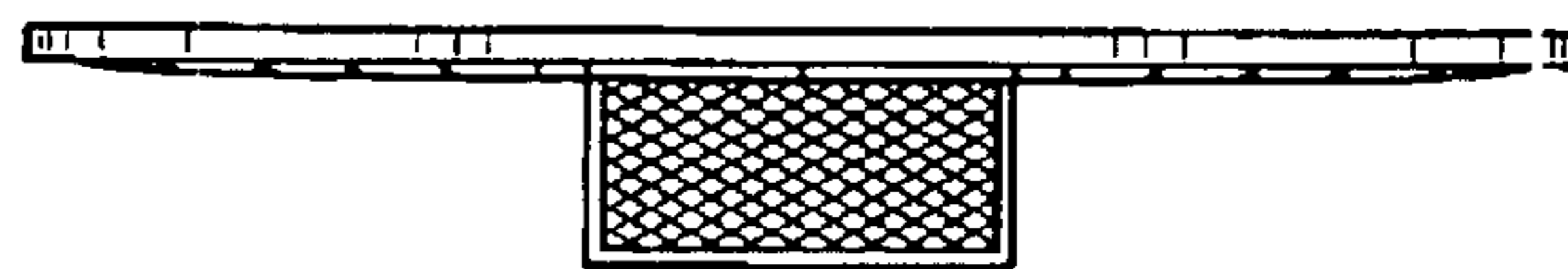


FIG. 6

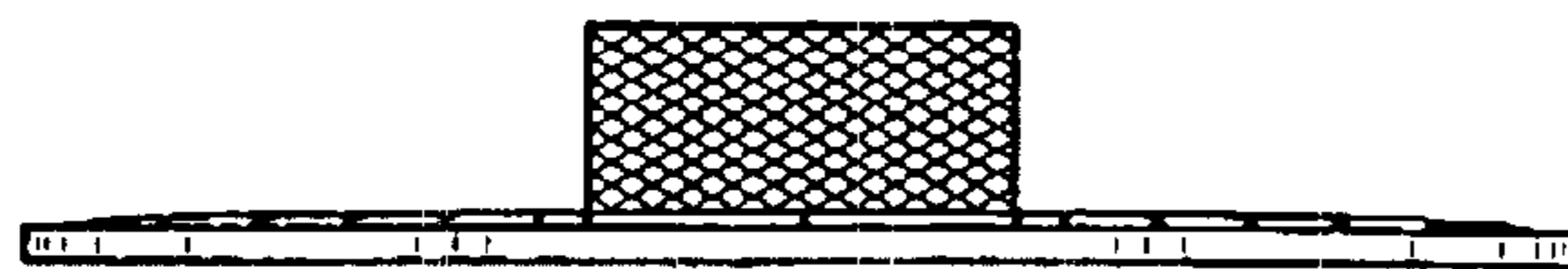


FIG. 7