

US00D505910S

(12) **United States Design Patent**  
**Qualls**

(10) **Patent No.:** **US D505,910 S**  
(45) **Date of Patent:** **\*\* Jun. 7, 2005**

(54) **INSERT STORAGE BOX FOR EXTENDED CAB PICKUP TRUCKS**

(76) **Inventor:** **Dale Qualls**, 6876 SE. Kiwi La.,  
Riverton, KS (US) 66770

(\*\*) **Term:** **14 Years**

(21) **Appl. No.:** **29/192,488**

(22) **Filed:** **Oct. 24, 2003**

(51) **LOC (8) Cl.** ..... **12-99**

(52) **U.S. Cl.** ..... **D12/414.1**

(58) **Field of Search** ..... D12/414, 414.1,  
D12/400, 415, 425, 426, 221; D6/567,  
574; 224/400-404, 539, 542, 925; 296/37.1,  
37.6, 37.14-37.16, 39.2, 37.5, 100.01-100.06

(56) **References Cited**

**U.S. PATENT DOCUMENTS**

D225,987 S	*	1/1973	Stewart	.....	D12/425
D252,144 S	*	6/1979	Carmean	.....	D12/425
D300,734 S	*	4/1989	Kruitbosch	.....	D12/414
D341,252 S	*	11/1993	Ryan	.....	D12/221
5,535,931 A	*	7/1996	Barlow et al.	.....	224/404
D377,164 S	*	1/1997	McPeck et al.	.....	D12/426
D397,322 S	*	8/1998	Tobin	.....	D12/414
5,845,953 A	*	12/1998	Rusnock	.....	296/37.6
5,957,521 A	*	9/1999	Schlachter	.....	296/37.15
6,062,452 A	*	5/2000	Kauskey	.....	224/539
6,120,076 A	*	9/2000	Adsit et al.	.....	296/37.6
D454,533 S	*	3/2002	Benson	.....	D12/425
D458,209 S	*	6/2002	Darbshire	.....	D12/221
D475,963 S	*	6/2003	Ellsaesser	.....	D12/221

6,609,744 B2	*	8/2003	Gehring et al.	.....	296/37.14
6,626,478 B1	*	9/2003	Minton	.....	224/403
D485,227 S	*	1/2004	Graham	.....	D12/426
6,719,347 B2	*	4/2004	Gehring et al.	.....	224/539
D491,880 S	*	6/2004	Guidry	.....	D12/425
6,758,509 B1	*	7/2004	Spencer	.....	296/37.6
6,817,504 B2	*	11/2004	Drane	.....	224/542
6,827,385 B2	*	12/2004	Mobley	.....	296/39.2

**OTHER PUBLICATIONS**

Bestop, Inc., Underseat Storage, available at [www.bestop.com](http://www.bestop.com), Copyright 2001, Bestop, Incorporated, 2100 W. Midway Blvd., Broomfield, Colorado 80020.

\* cited by examiner

*Primary Examiner*—Stacia Cadmus

(74) *Attorney, Agent, or Firm*—Shook Hardy & Bacon

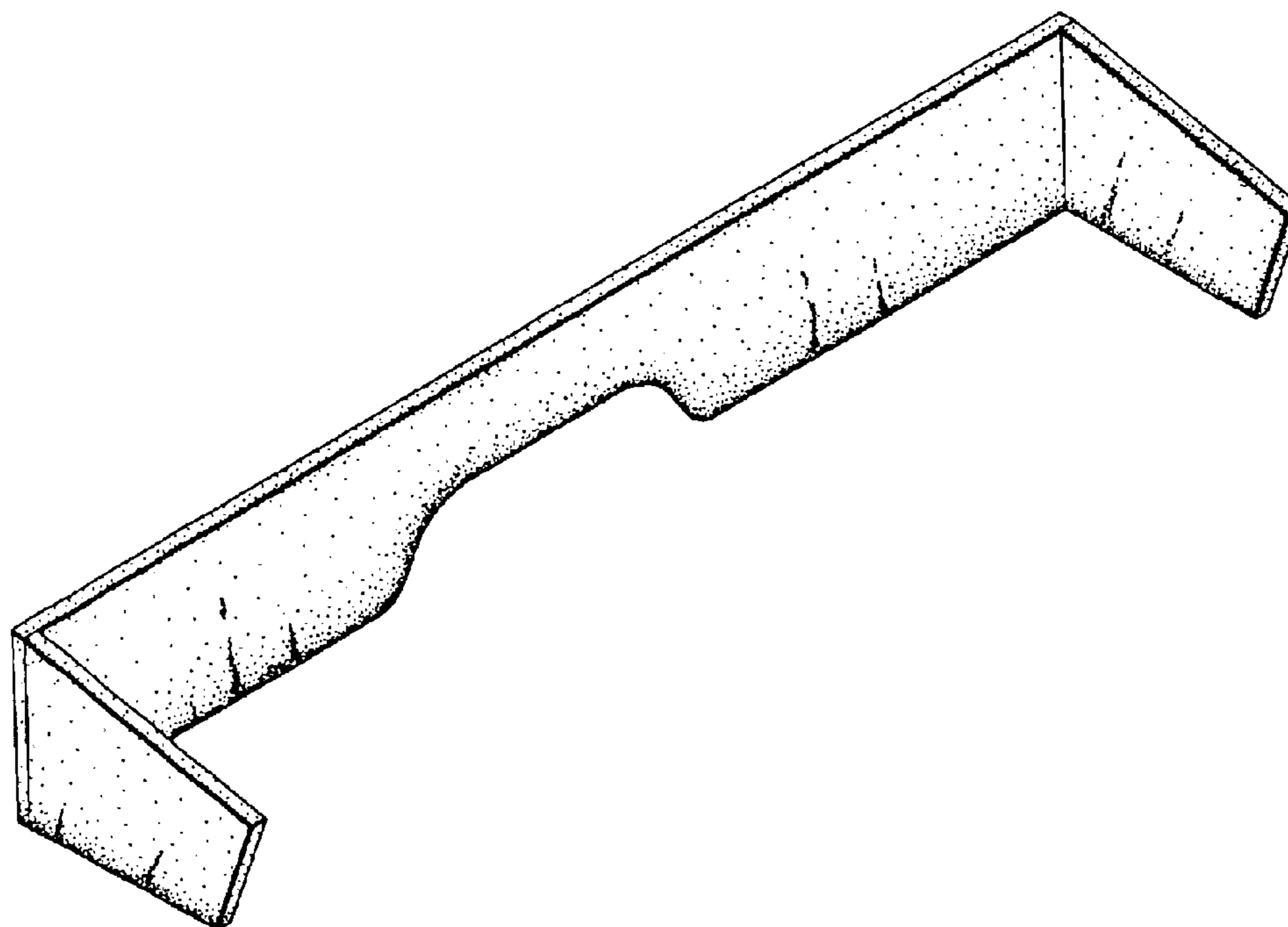
(57) **CLAIM**

The ornamental design for an insert storage box for extended cab pickup trucks, as shown and described.

**DESCRIPTION**

FIG. 1 is a perspective view of my design for an insert storage box for extended cab pickup trucks as seen from the back, according to the present invention; FIG. 2 is a rear elevational view thereof; FIG. 3 is a right end elevational view thereof; FIG. 4 is a top plan view thereof; and FIG. 5 is a bottom plan view thereof; and, FIG. 6 is a front end elevational view thereof.

**1 Claim, 2 Drawing Sheets**



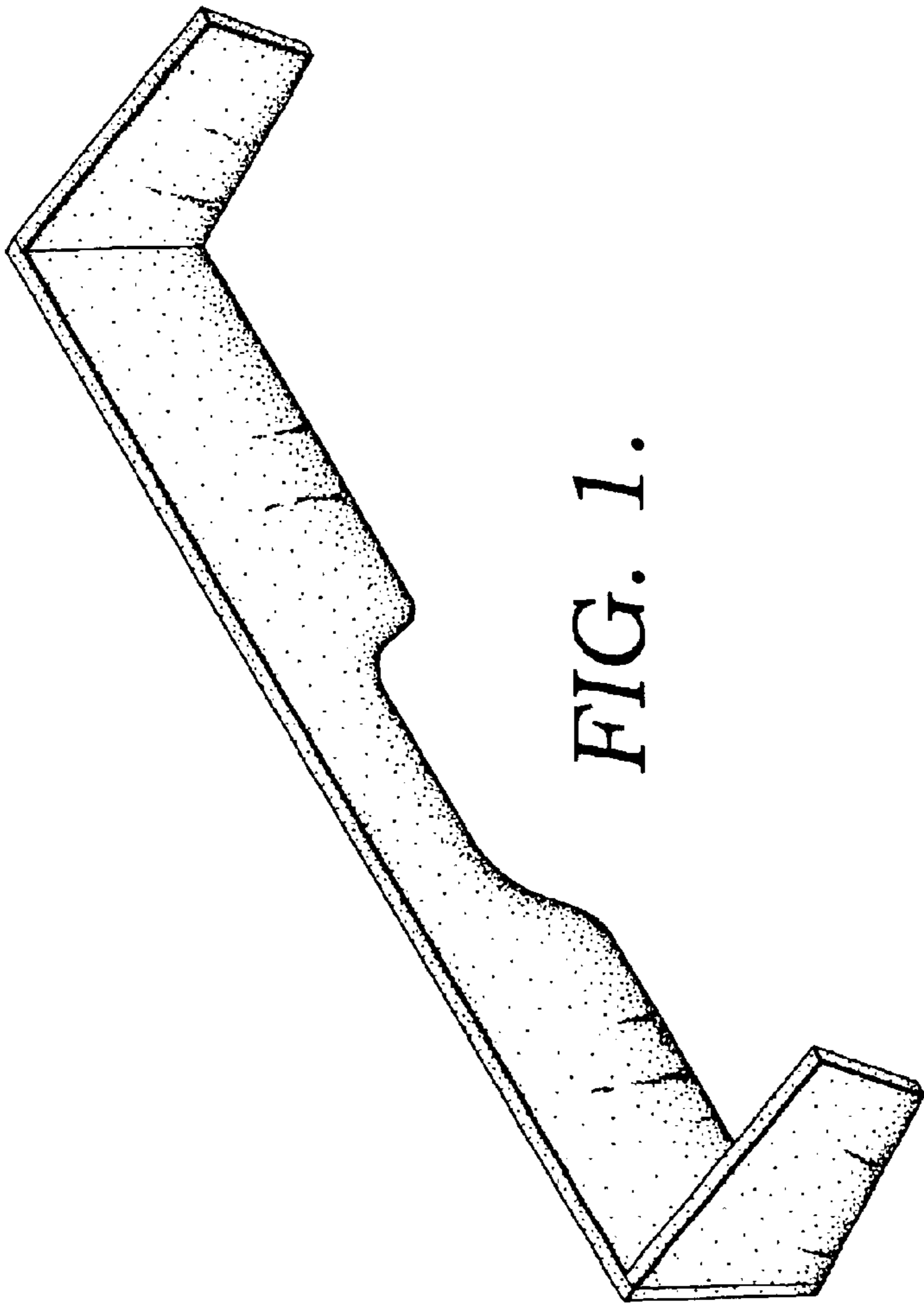


FIG. 1.

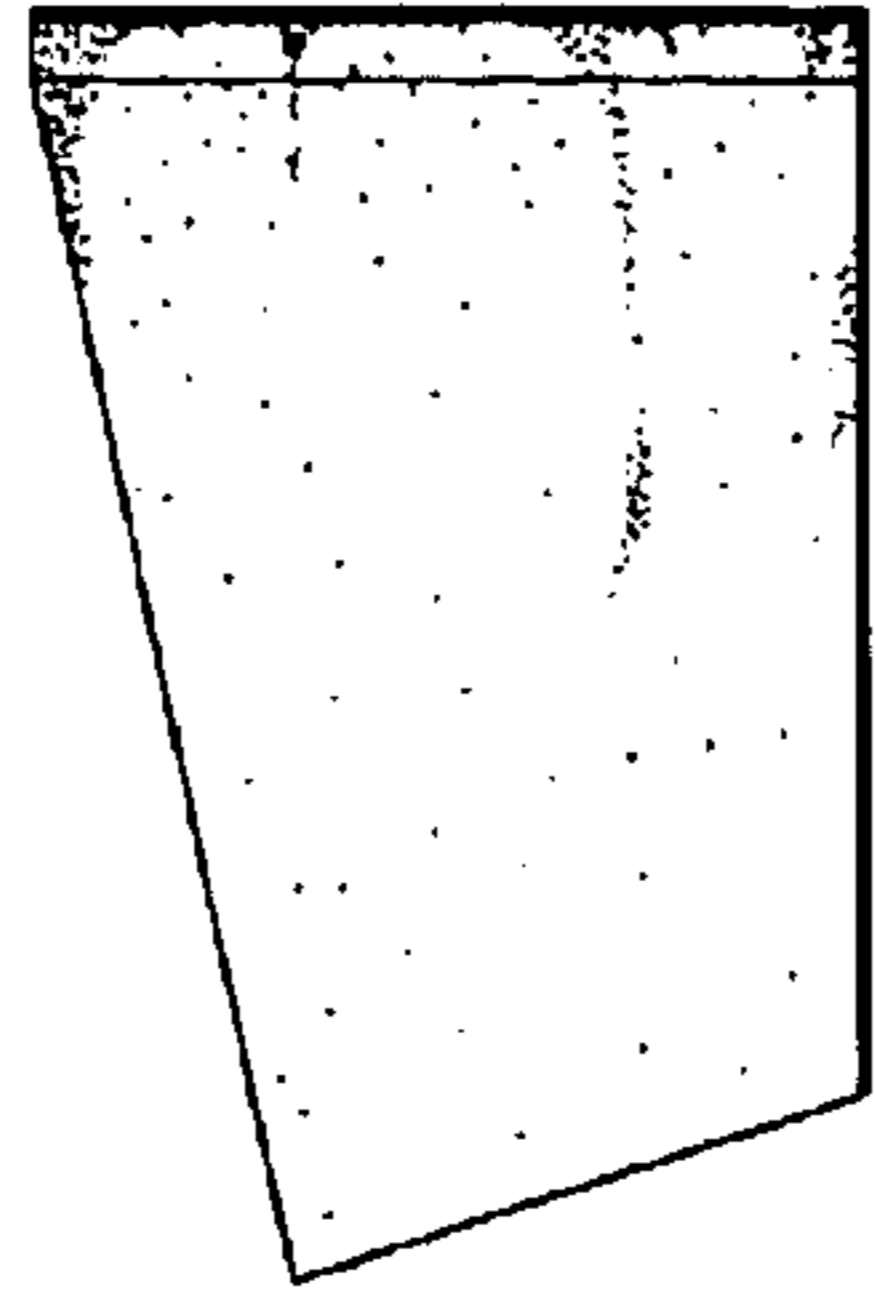


FIG. 3.



FIG. 2.

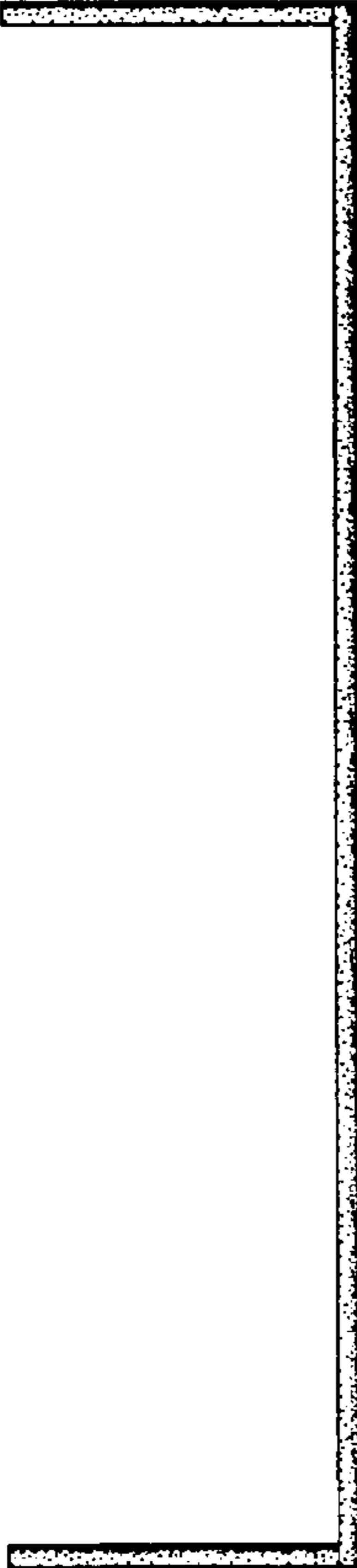


FIG. 4.



FIG. 5.

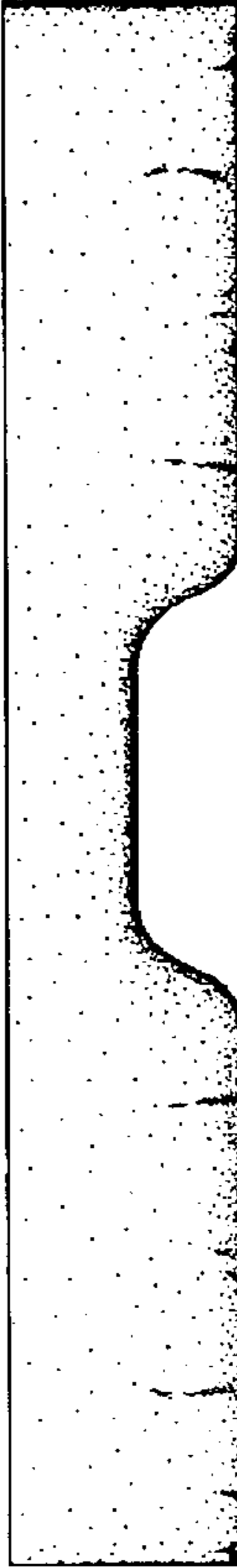


FIG. 6.