

US00D505909S

(12) **United States Design Patent**
Erskine et al.

(10) **Patent No.:** **US D505,909 S**
(45) **Date of Patent:** **** Jun. 7, 2005**

(54) **TOP TRIM**

(75) Inventors: **Edward J. Erskine**, Benson, NY (US);
David R. Irwin, Clifton Park, NY (US)

(73) Assignee: **Taylor Made Group, Inc.**,
Gloversville, NY (US)

(**) Term: **14 Years**

(21) Appl. No.: **29/203,567**

(22) Filed: **Apr. 16, 2004**

(51) **LOC (8) Cl.** **12-06**

(52) **U.S. Cl.** **D12/317**

(58) **Field of Search** D12/300, 317,
D12/318; D25/119, 121-125; 49/399, 401,
462; 114/361; D8/377; D19/26, 32

(56) **References Cited**

U.S. PATENT DOCUMENTS

2,685,473	A	*	8/1954	Adell	49/462
D241,396	S	*	9/1976	Copeland	D25/119
D258,279	S	*	2/1981	Moore	D12/317
D306,078	S	*	2/1990	Whitney	D25/119
4,993,351	A	*	2/1991	Zirkelbach et al.	114/361
5,029,549	A	*	7/1991	Armando	114/361
D324,368	S	*	3/1992	Zirkelbach et al.	D12/317
5,189,980	A	*	3/1993	Zirkelbach et al.	114/361
D405,194	S	*	2/1999	Kenkel	D25/119

D420,149	S	*	2/2000	Hersh et al.	D25/119
D457,972	S	*	5/2002	Harel	D25/121
D468,451	S	*	1/2003	Kowalczyk et al.	D25/119
6,799,529	B1	*	10/2004	Willis	114/361
2002/0020337	A1	*	2/2002	Eck et al.	114/361

* cited by examiner

Primary Examiner—Holly Baynham

Assistant Examiner—Cynthia M. Chin

(74) *Attorney, Agent, or Firm*—Nixon & Vanderhye P.C.

(57) **CLAIM**

The ornamental design for a “top trim,” as shown and described.

DESCRIPTION

FIG. 1 is a perspective view of the top trim of the present invention;

FIG. 2 is a an end view (the opposite end being a mirror image);

FIG. 3 is a right side view;

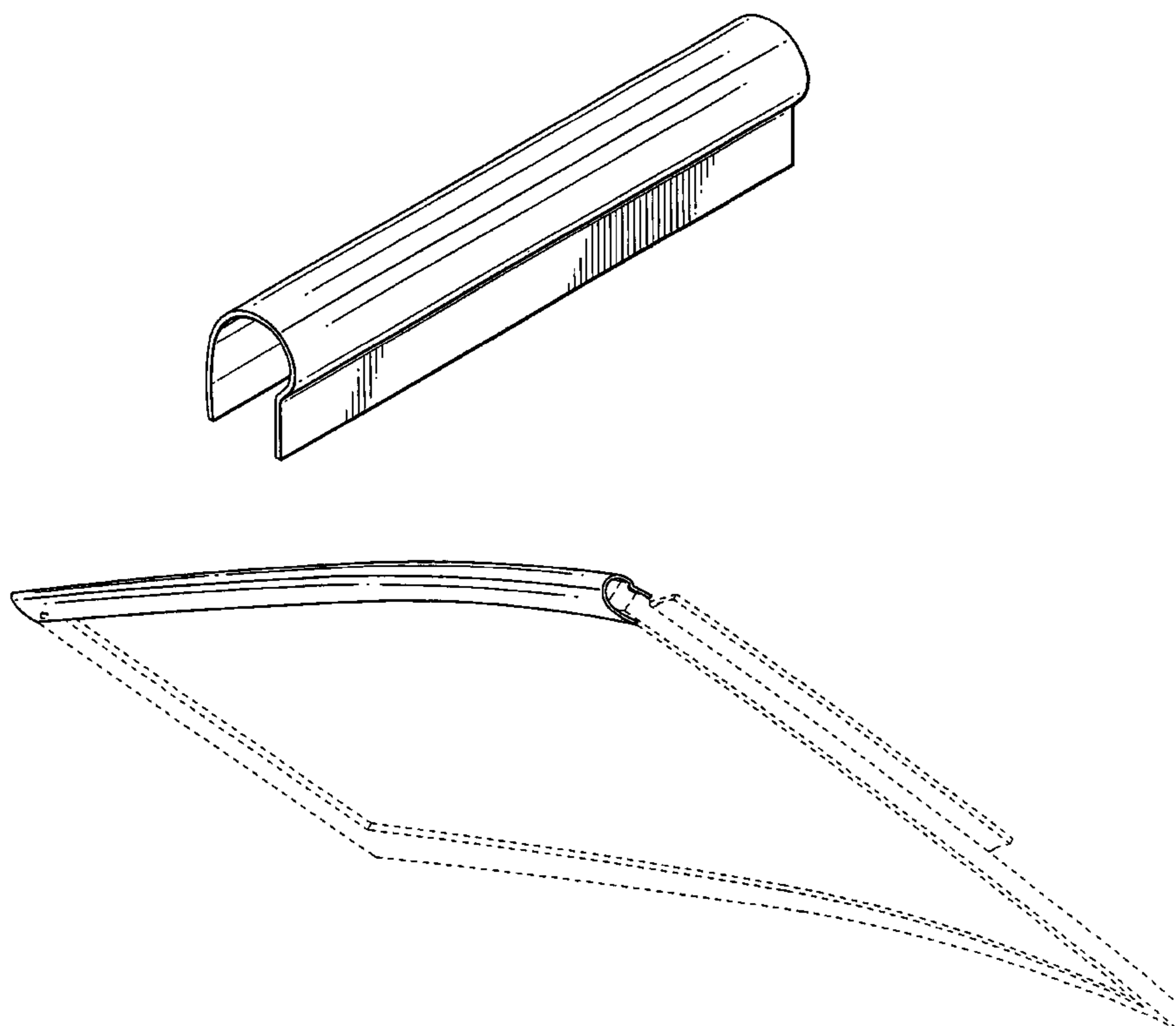
FIG. 4 is a left side view;

FIG. 5 is a top plan view; and,

FIG. 6 is a perspective view showing an exemplary environment for the top trim of the present invention.

The broken lines are for illustrative purposes only and form no part of the claimed design.

1 Claim, 3 Drawing Sheets



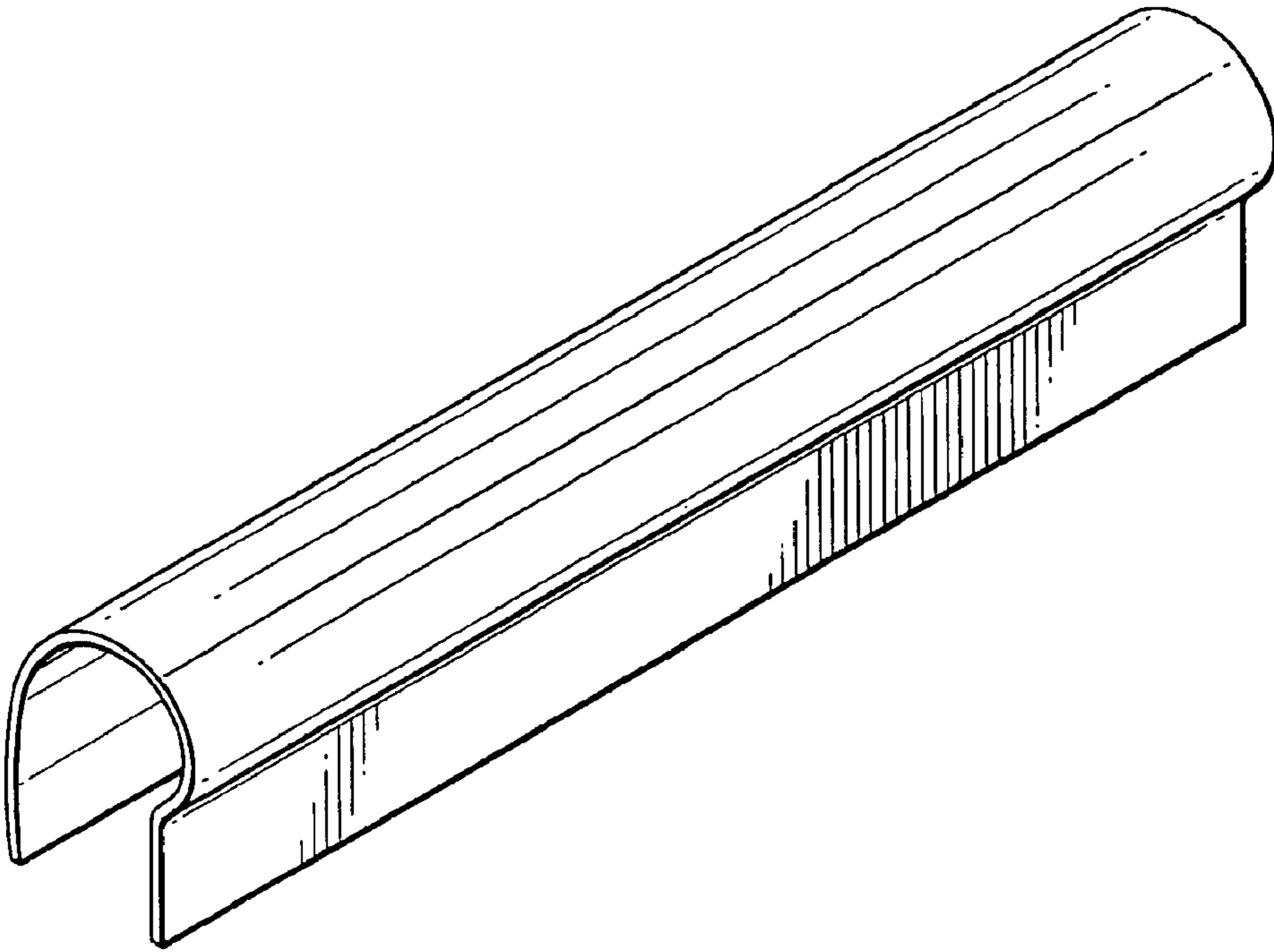


Fig. 1

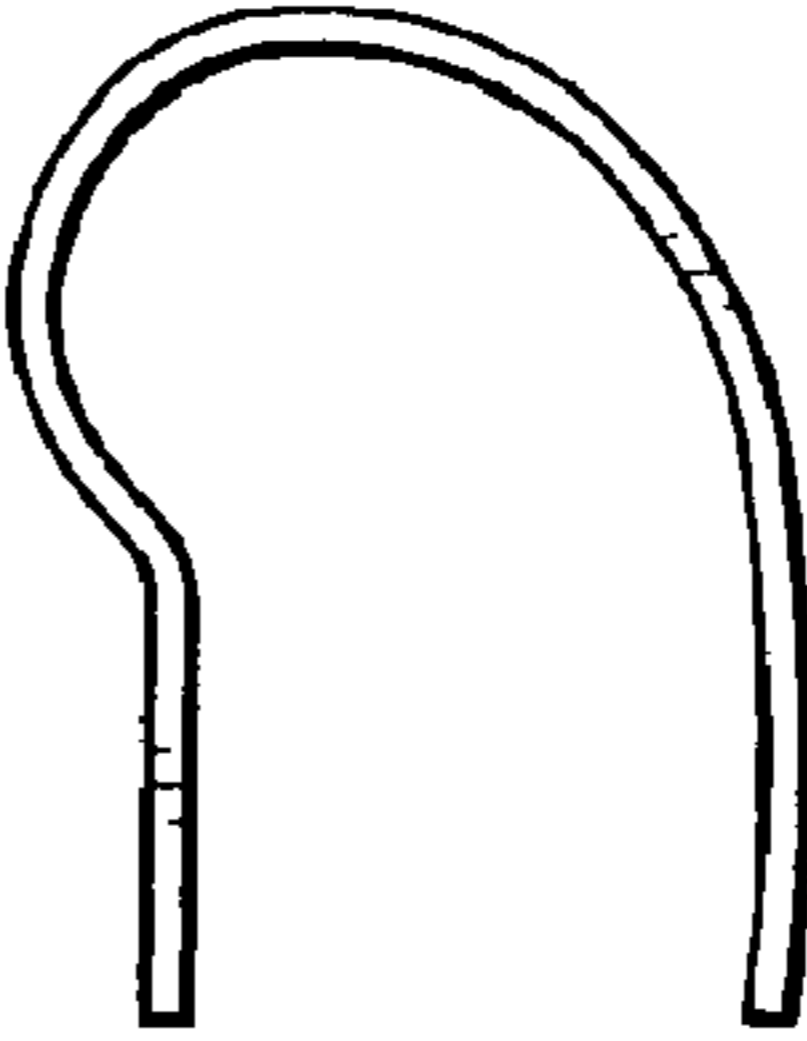


Fig. 2

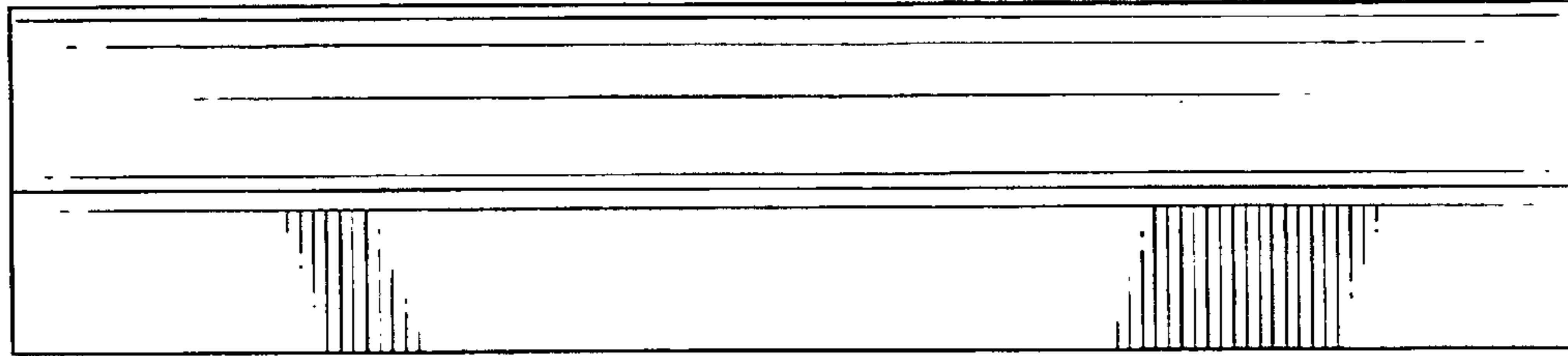


Fig. 3

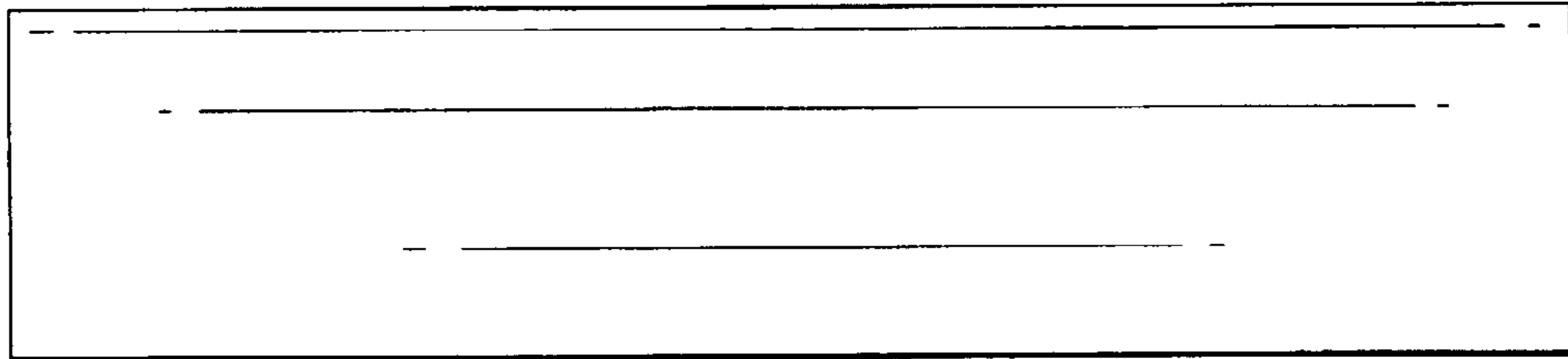


Fig. 4

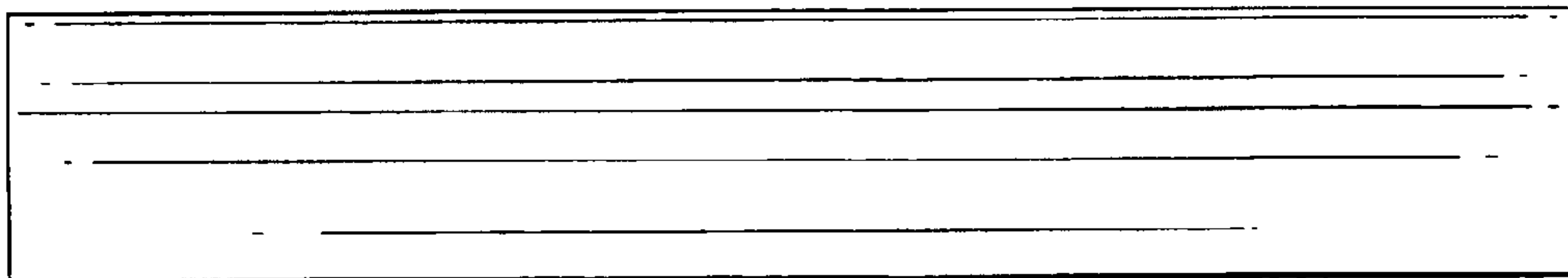


Fig. 5

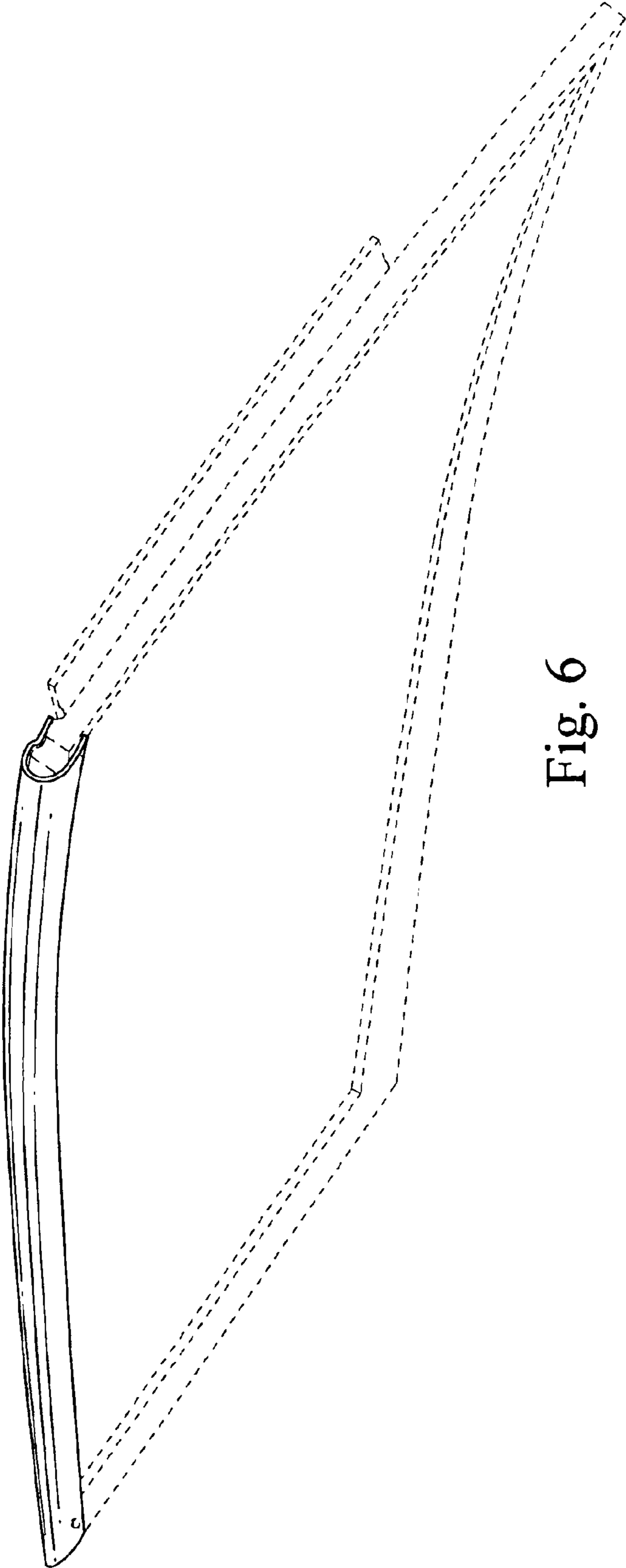


Fig. 6