

US00D505905S

(12) **United States Design Patent**  
**Walbey, Jr.**

(10) **Patent No.: US D505,905 S**  
(45) **Date of Patent: \*\* Jun. 7, 2005**

(54) **VEHICLE-WHEEL FRONT FACE**  
(75) **Inventor: Gaylon G. Walbey, Jr., Livingston, TX (US)**  
(73) **Assignee: Mobile Hi-Tech Wheels, LaPalma, CA (US)**  
(\*\*) **Term: 14 Years**

D500,006 S \* 12/2004 Cahyono ..... D12/211  
D500,279 S \* 12/2004 Kataoka ..... D12/211

\* cited by examiner

*Primary Examiner*—Stacia Cadmus  
(74) *Attorney, Agent, or Firm*—Christie, Parker & Hale, LLP

(21) **Appl. No.: 29/217,980**  
(22) **Filed: Nov. 23, 2004**

(57) **CLAIM**

The ornamental design for a vehicle-wheel front face, as shown and described.

(51) **LOC (8) Cl. .... 12-16**  
(52) **U.S. Cl. .... D12/209**  
(58) **Field of Search ..... D12/204-213;**  
**301/37.101, 64.101, 65**

**DESCRIPTION**

FIG. 1 is a perspective view of a vehicle-wheel front face according to my new design;  
FIG. 2 is a front elevational view thereof;  
FIG. 3 is a side elevational view thereof;  
FIG. 4 is a perspective view of a second embodiment of my design;  
FIG. 5 is a front elevational view of the second embodiment; and,  
FIG. 6 is a side elevational view of the second embodiment. Portions of the wheel depicted in broken line are for illustrative purposes only, and form no part of the claimed design.

(56) **References Cited**

**U.S. PATENT DOCUMENTS**

D388,046 S \* 12/1997 Roesianto ..... D12/209  
D416,534 S \* 11/1999 Couzyn et al. .... D12/211  
D446,180 S \* 8/2001 Sulahian et al. .... D12/211  
D467,212 S \* 12/2002 Noriega ..... D12/209  
D471,499 S \* 3/2003 Cahyono ..... D12/209  
D493,406 S \* 7/2004 Kataoka ..... D12/211  
D496,317 S \* 9/2004 Kataoka ..... D12/209

**1 Claim, 6 Drawing Sheets**

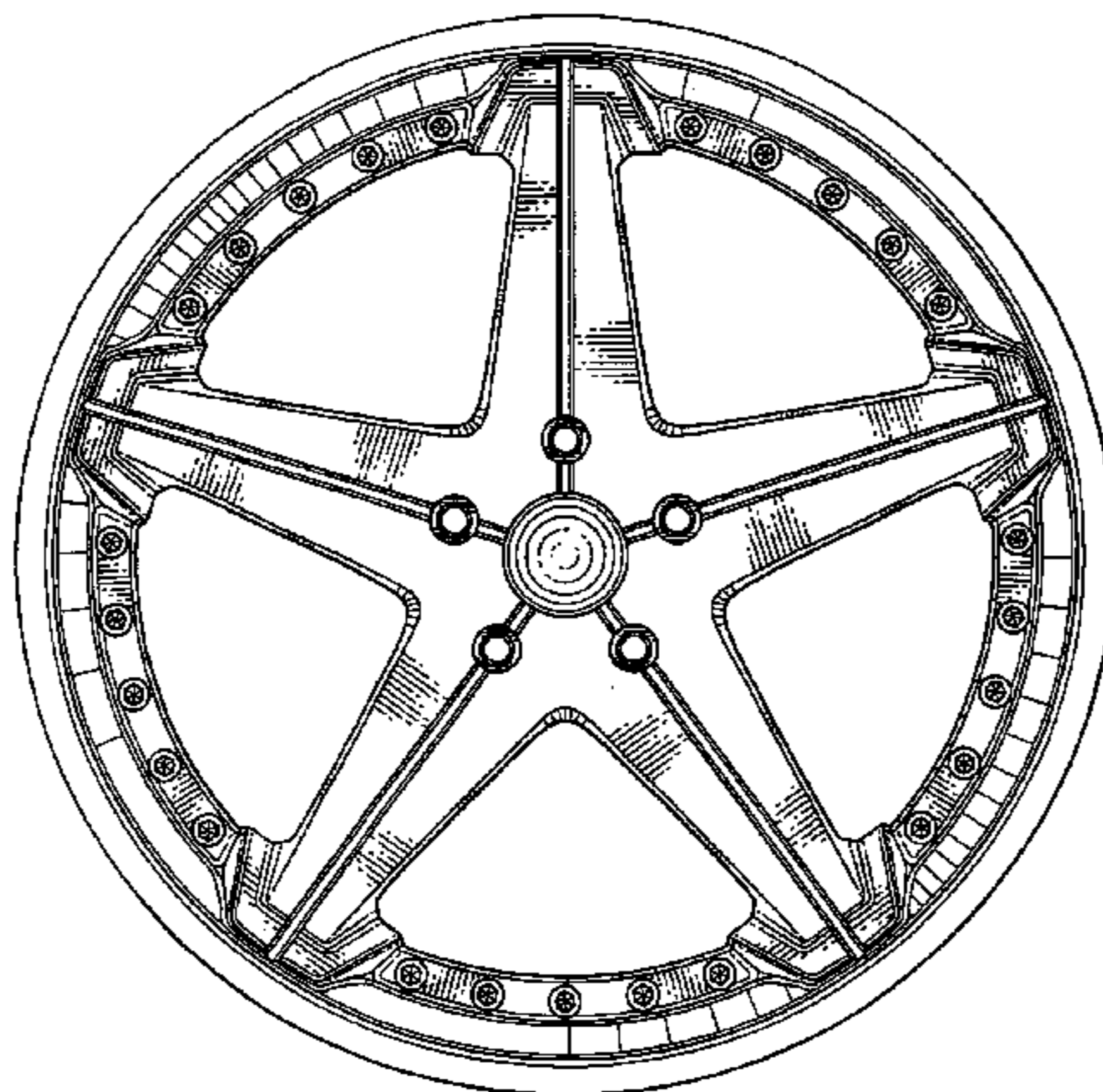
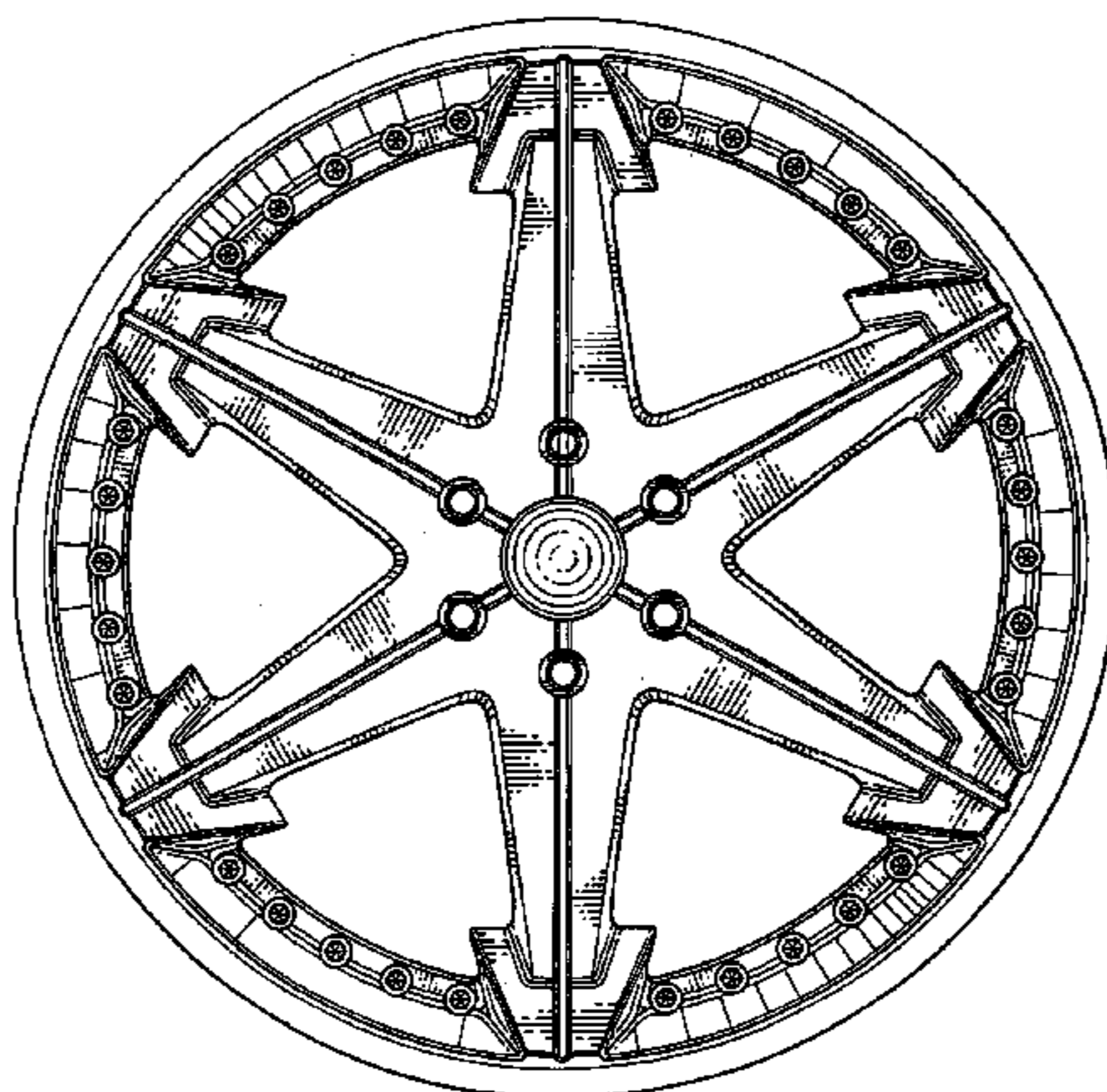
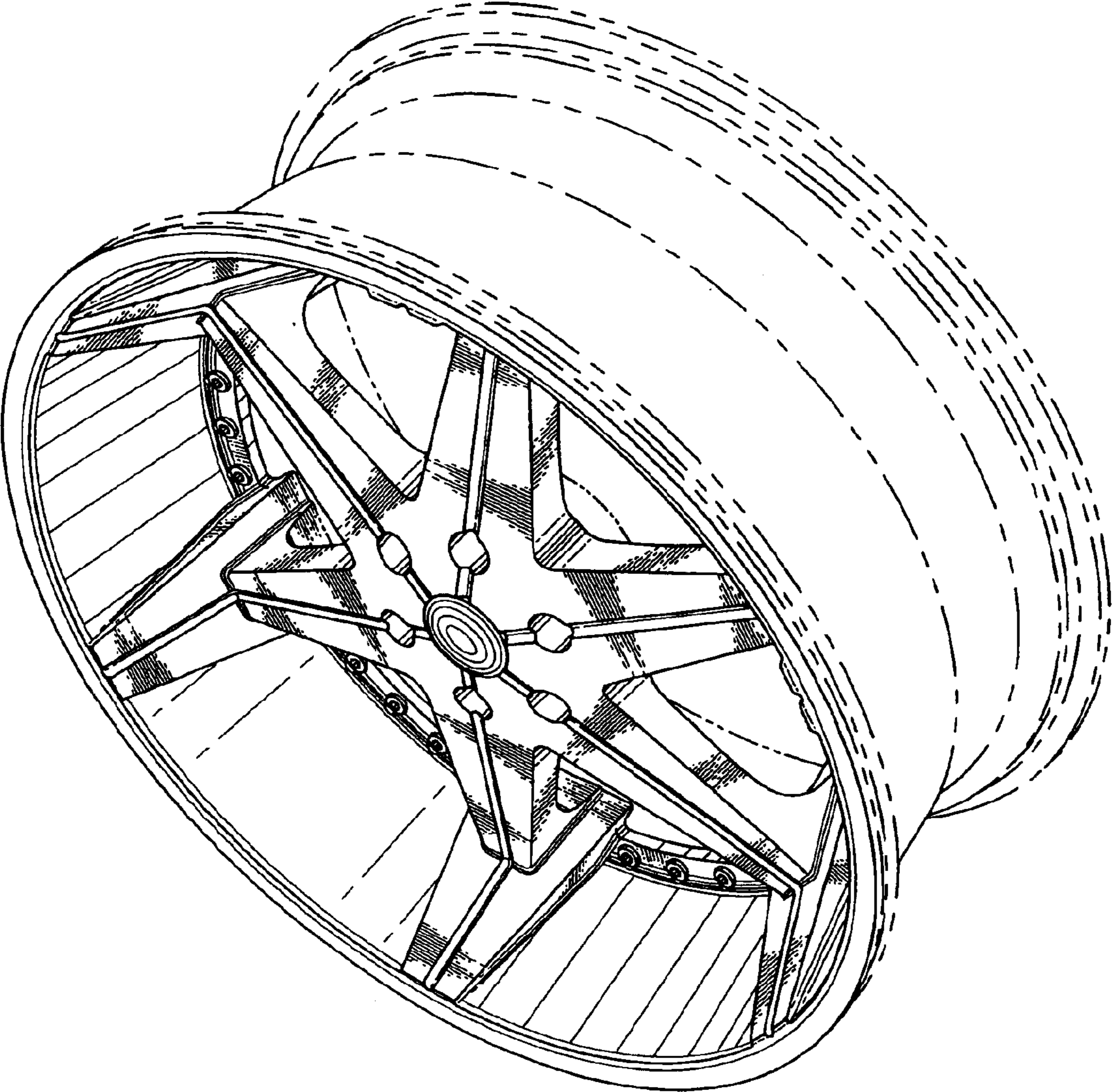
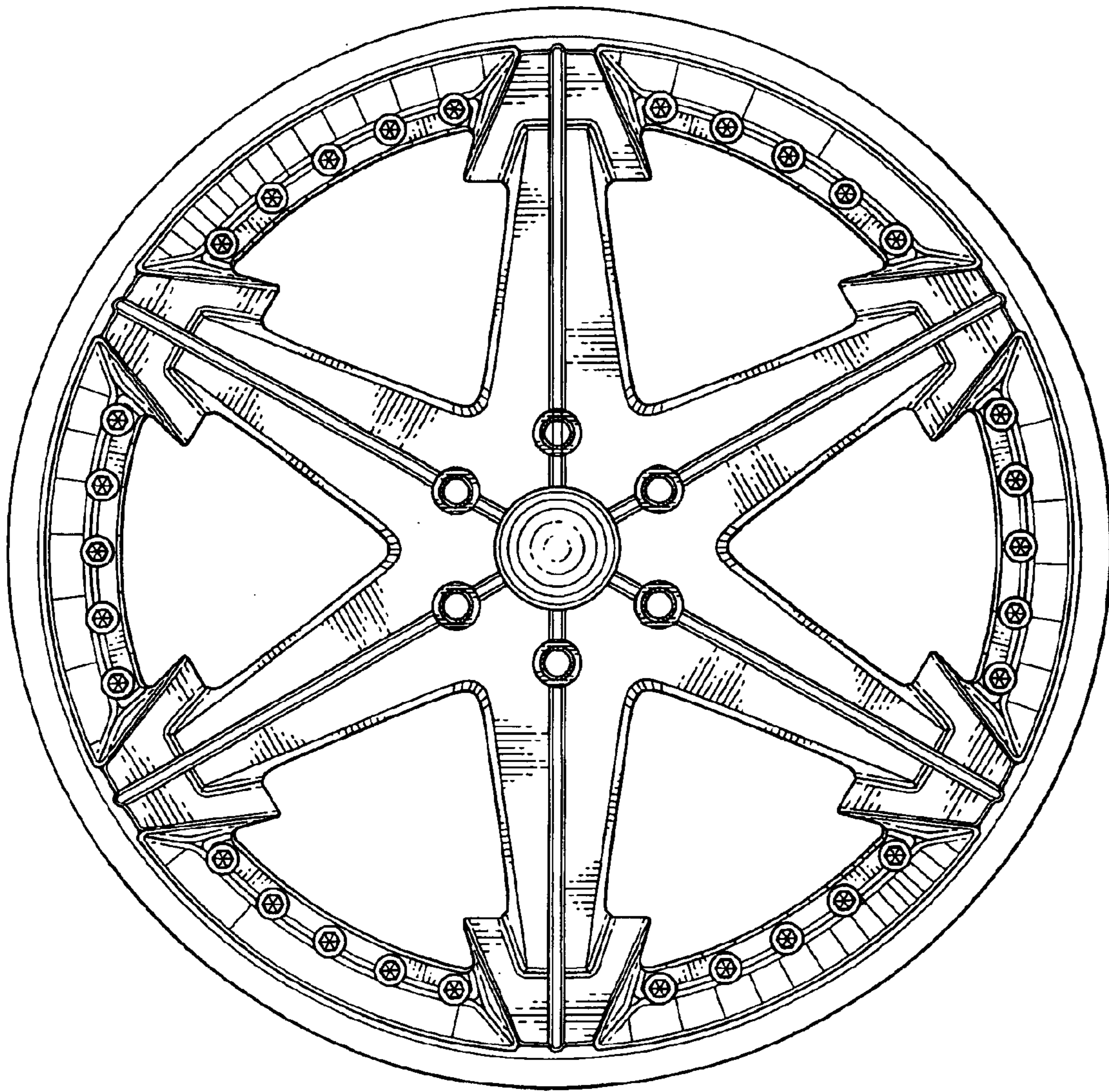


FIG. 1





*FIG. 2*



*FIG. 3*

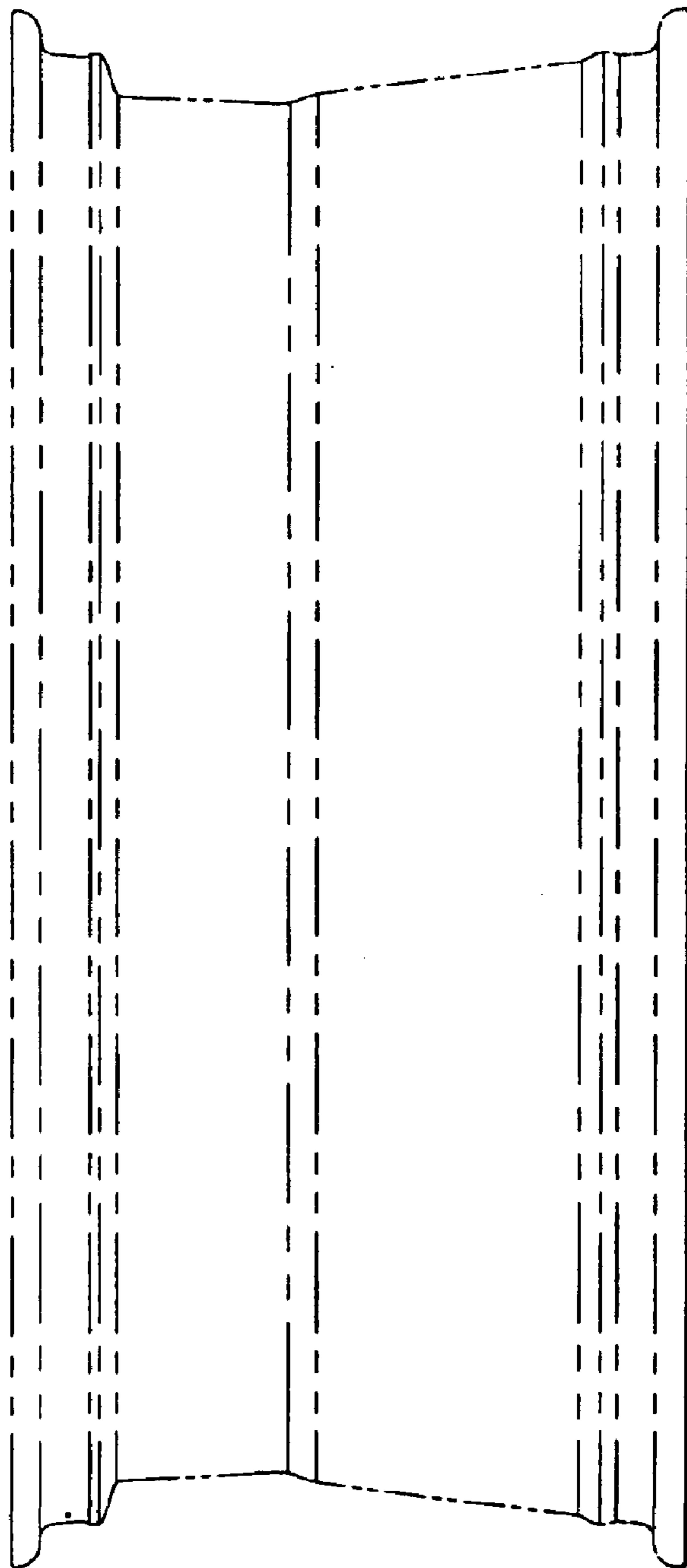


FIG. 4

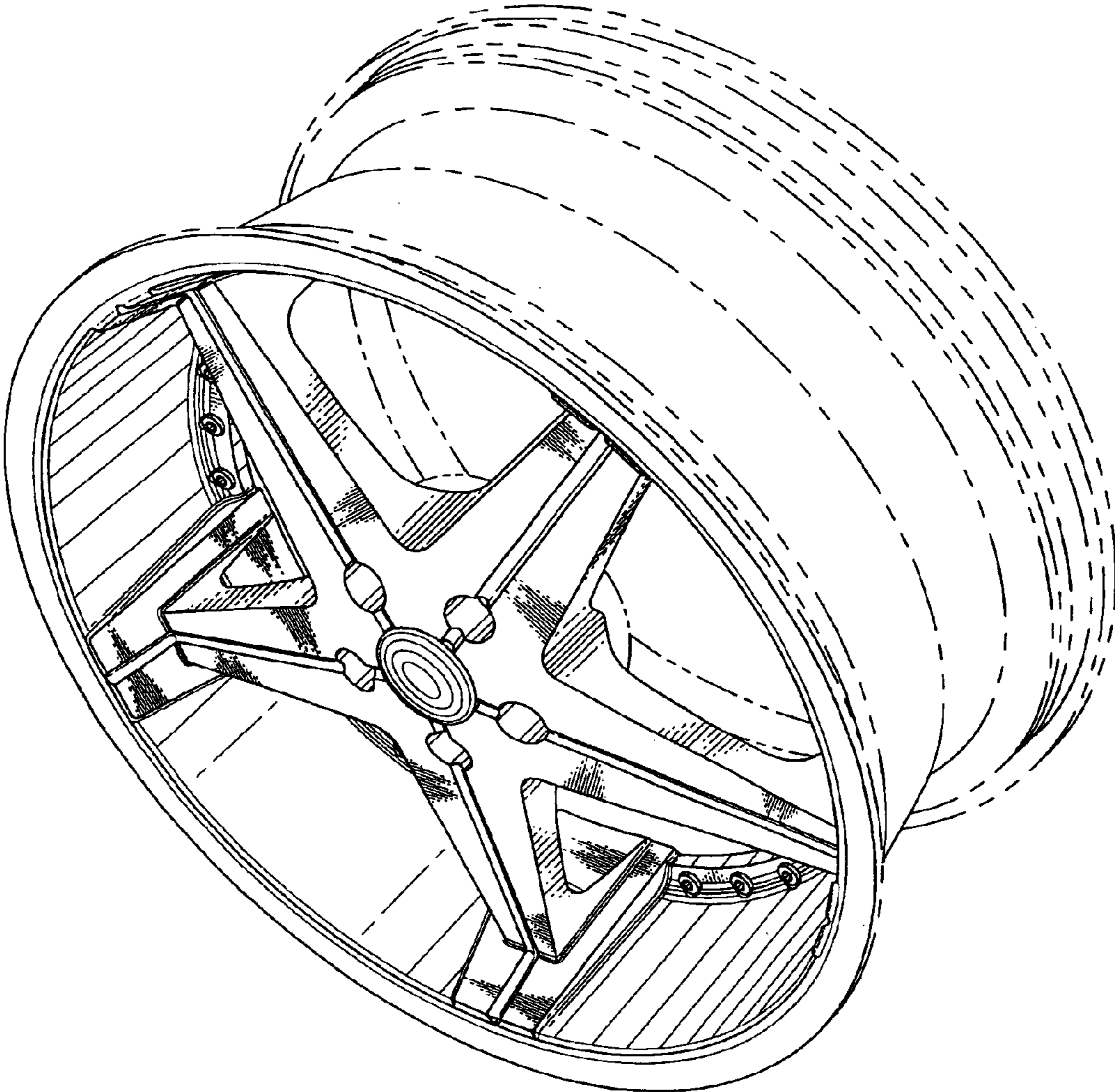
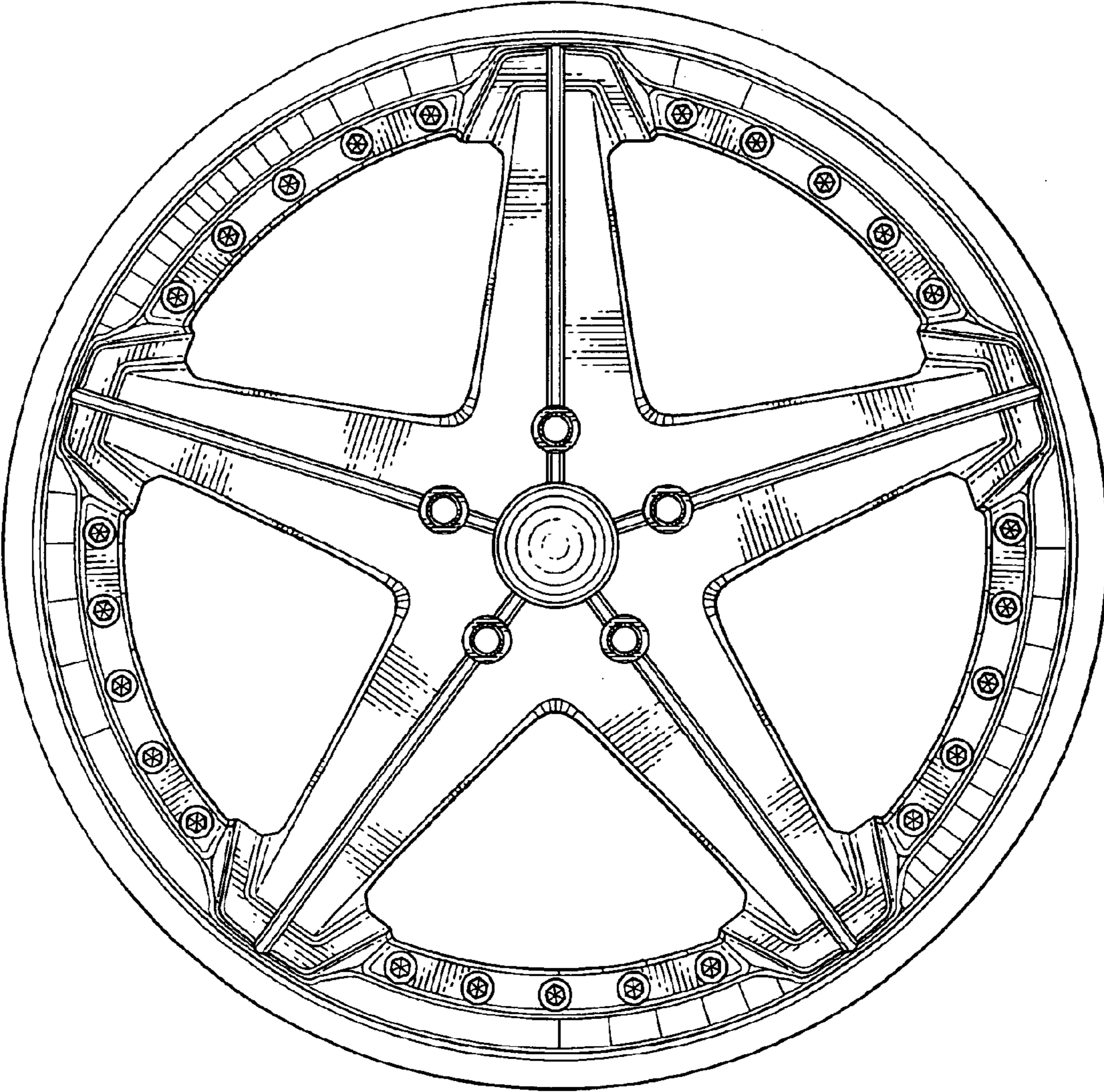




FIG. 5



*FIG. 6*

