

US00D505903S

(12) **United States Design Patent**
Nordmann

(10) **Patent No.:** **US D505,903 S**
(45) **Date of Patent:** **** Jun. 7, 2005**

(54) **FRONT FACE OF A VEHICLE WHEEL**

(75) **Inventor:** **Christoph Nordmann, Munich (DE)**

(73) **Assignee:** **Bayerische Motoren Werke
Aktiengesellschaft, Munich (DE)**

(**) **Term:** **14 Years**

(21) **Appl. No.:** **29/194,469**

(22) **Filed:** **Nov. 26, 2003**

(30) **Foreign Application Priority Data**

May 28, 2003 (DE) 4 03 03 911

(51) **LOC (8) Cl.** **12-16**

(52) **U.S. Cl.** **D12/209**

(58) **Field of Search** D12/204-213;
301/37.101, 64.101, 65

(56) **References Cited**

U.S. PATENT DOCUMENTS

D370,883 S * 6/1996 Bhambra D12/209

D407,057 S * 3/1999 Goplen D12/211
D412,693 S * 8/1999 Kulla D12/211
D419,517 S * 1/2000 Sacco et al. D12/211
D493,405 S * 7/2004 Boyer D12/211
D499,681 S * 12/2004 Boyer D12/209
D500,470 S * 1/2005 Rice D12/211

* cited by examiner

Primary Examiner—Stacia Cadmus

(74) *Attorney, Agent, or Firm*—Crowell & Moring LLP

(57) **CLAIM**

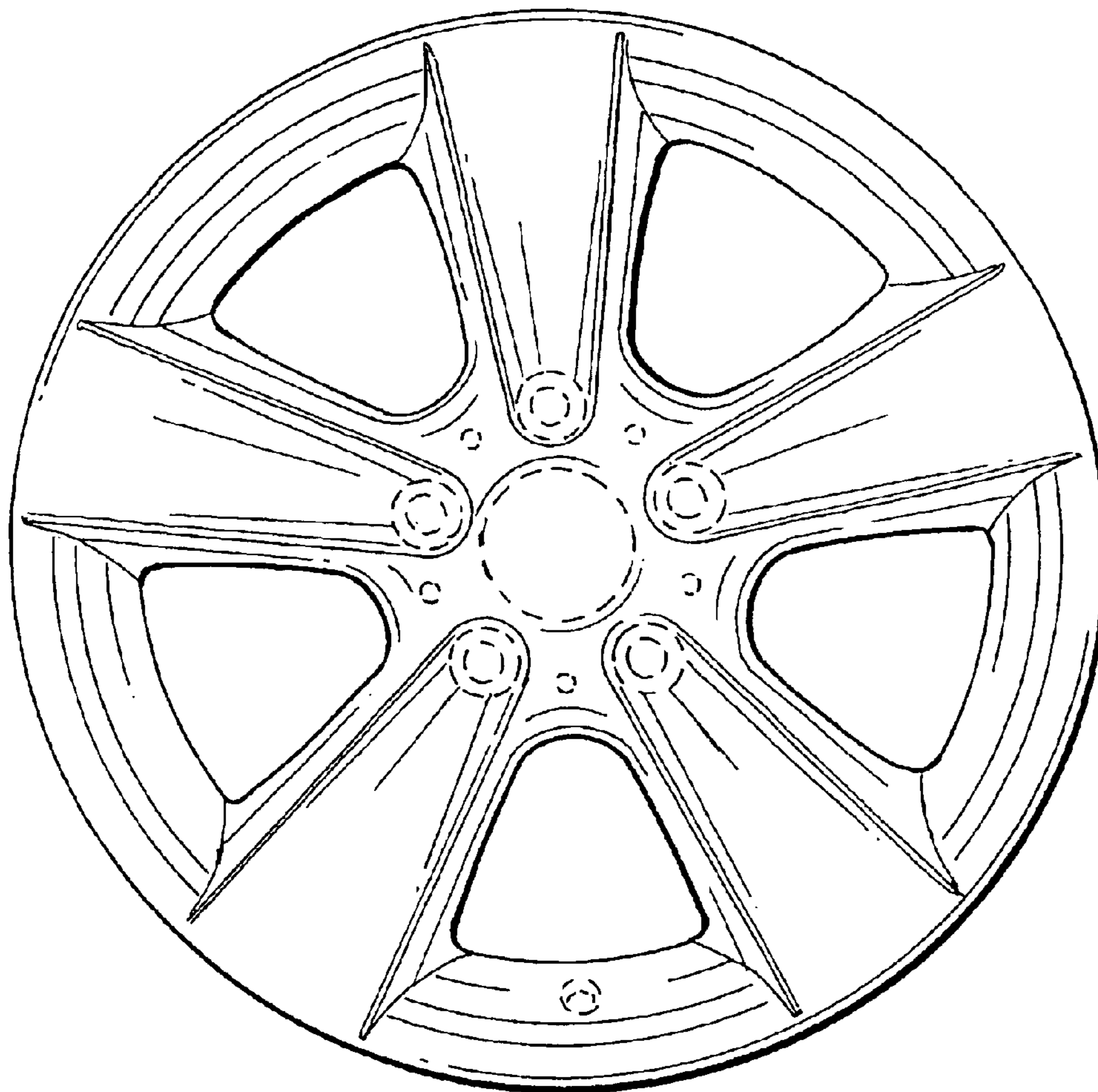
The ornamental design for a front face of a vehicle wheel, as shown and described.

DESCRIPTION

FIG. 1 is a front view of a front face of a vehicle wheel according to my novel design; and, FIG. 2 is a perspective view of the front face of a vehicle wheel according to my novel design.

The broken lines are for illustrative purposes only and form no part of the claimed design.

1 Claim, 1 Drawing Sheet



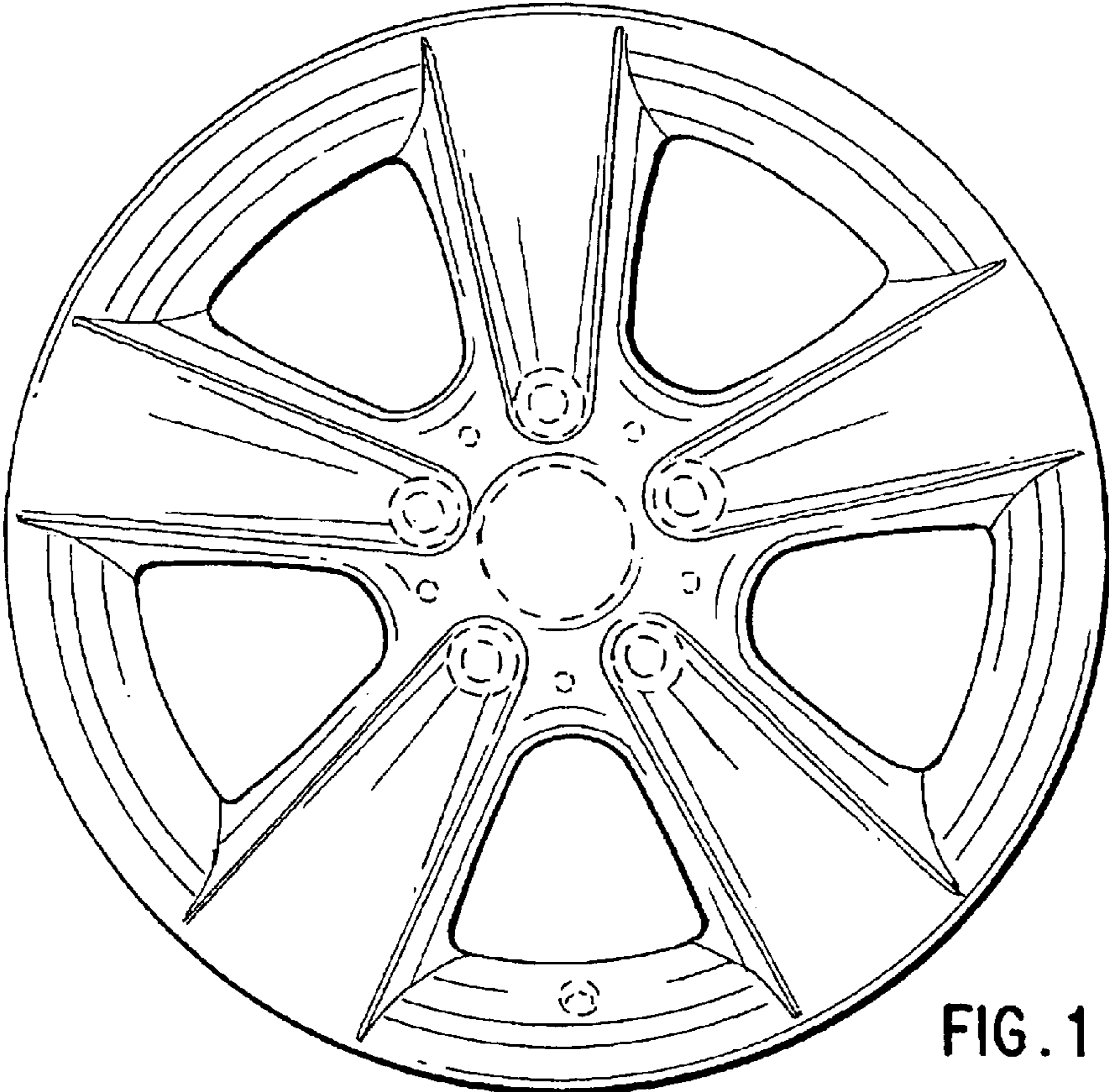


FIG. 1

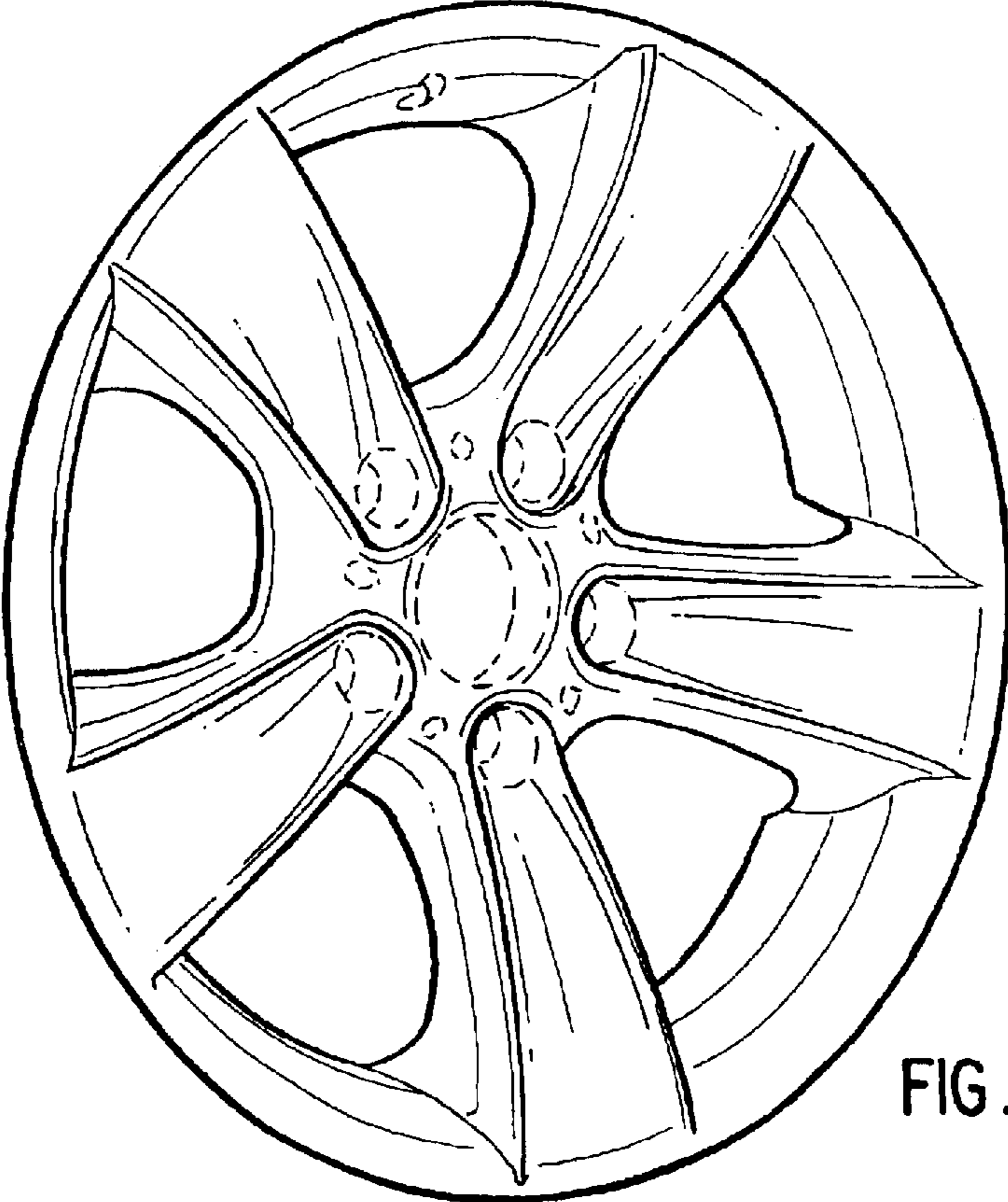


FIG. 2