

US00D505902S

(12) **United States Design Patent**
Goldstein

(10) **Patent No.: US D505,902 S**
(45) **Date of Patent: ** Jun. 7, 2005**

(54) **VEHICLE STEP**

(76) **Inventor: Guy Robert Goldstein, 5306 Industrial Dr., Huntington Beach, CA (US) 92649**

(**) **Term: 14 Years**

(21) **Appl. No.: 29/216,226**

(22) **Filed: Oct. 29, 2004**

(51) **LOC (8) Cl. 12-16**

(52) **U.S. Cl. D12/203**

(58) **Field of Search D12/162, 400, D12/203, 85, 106; D20/10, 42; 280/166, 491.5, 153.5, 169, 506-507, 847-848, 164.1-2, 500, 414.1-3; 180/190, 193, 182-185; 182/90-92; 238/14; 428/81-82; D25/62, 69; 138/89-89.4; 224/521, 524, 522, 527**

(56) **References Cited**

U.S. PATENT DOCUMENTS

D162,228 S	*	2/1951	Russell	D12/203
D284,752 S	*	7/1986	Horton, Jr.	D12/203
D292,388 S	*	10/1987	Weiler	D12/203
D315,134 S	*	3/1991	Springer	D12/203
5,265,896 A	*	11/1993	Kravitz	280/163
5,702,118 A		12/1997	Hanson	280/491.5
5,738,362 A		4/1998	Ludwick	280/166
5,803,475 A		9/1998	Dick	280/163
6,017,045 A	*	1/2000	Dermody	280/163
6,145,861 A		11/2000	Willis	280/163
6,170,843 B1		1/2001	Maxwell	280/166

D440,931 S	*	4/2001	Knight et al.	D12/203
D463,345 S		9/2002	Cipolla	D12/203
6,511,086 B2		1/2003	Schlicht	280/166
6,554,311 B1		4/2003	Blankenship	280/507
6,685,204 B1		2/2004	Hehr	280/166
6,769,704 B2		8/2004	Cipolla	280/163
D499,049 S	*	11/2004	Stinson	D12/106
2002/0060440 A1		5/2002	Storer		
2002/0073935 A1		6/2002	Graham		
2002/0125677 A1		9/2002	Knodle et al.		
2003/0094472 A1		5/2003	Knodle et al.		
2004/0160034 A1		8/2004	Mitchell		
2004/0207224 A1		10/2004	Miller et al.		

* cited by examiner

Primary Examiner—Stacia Cadmus

(74) *Attorney, Agent, or Firm*—Curtis L. Harrington

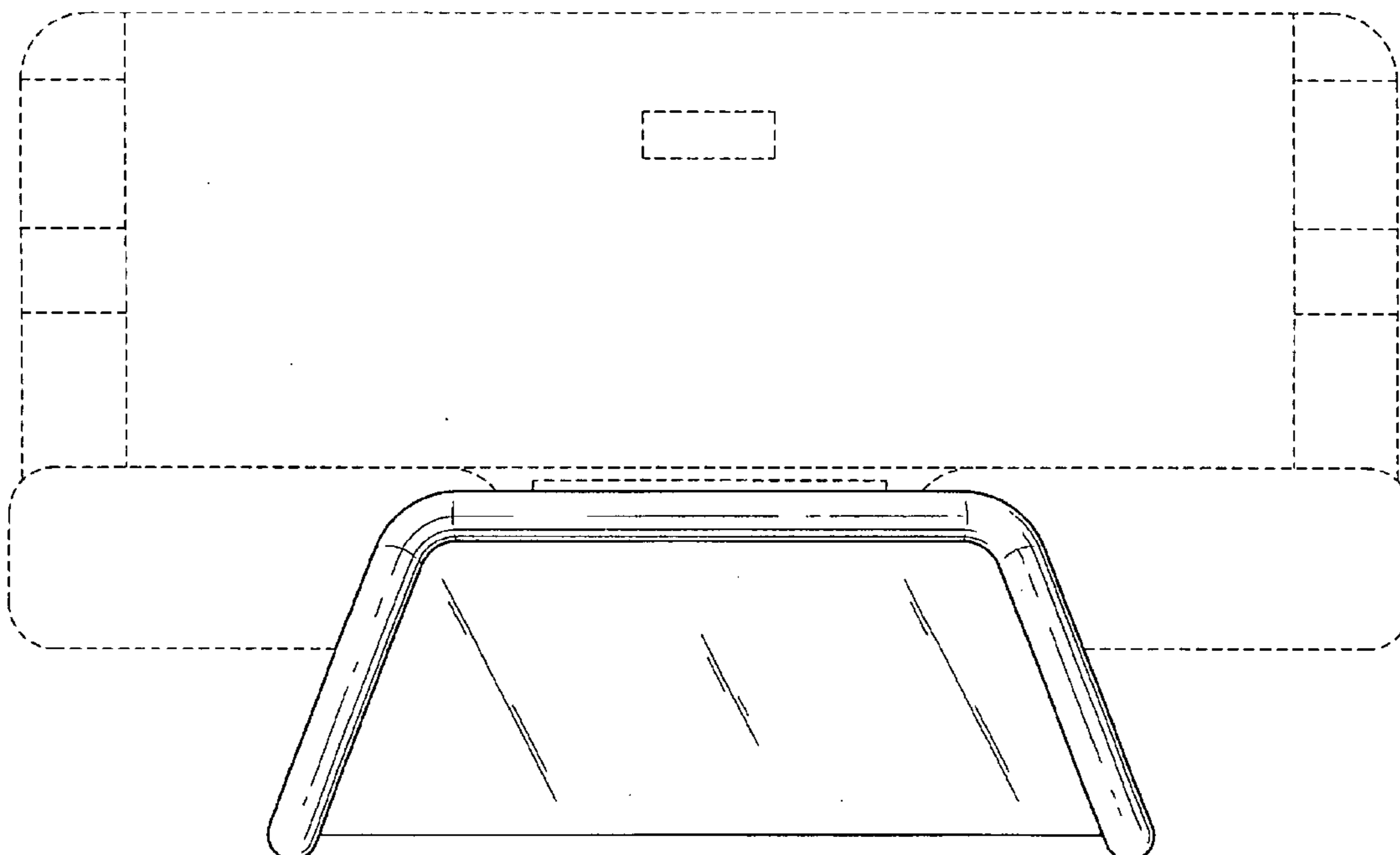
(57) **CLAIM**

The ornamental design a vehicle step, as shown and described.

DESCRIPTION

FIG. 1 is a front view of the vehicle step, showing my new design, shown it in its position of use on the rear of the truck. The broken line showing of the truck is for illustrative purposes only and forms no part of the claimed design; and FIG. 2 is a top view; FIG. 3 is a bottom view; and, FIG. 4 is a right side view, a left side view being a mirror image thereof.

1 Claim, 2 Drawing Sheets



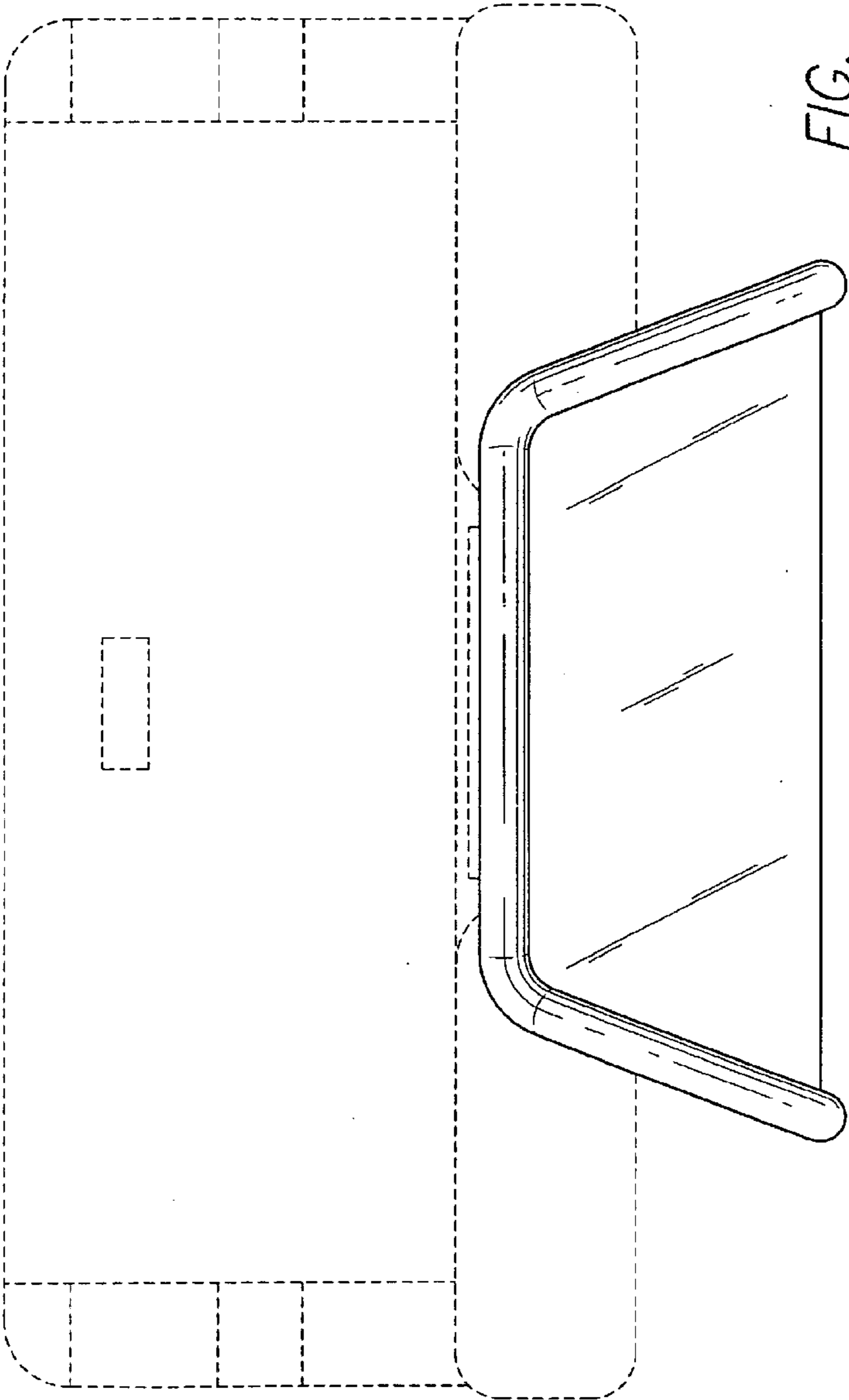


FIG. 1

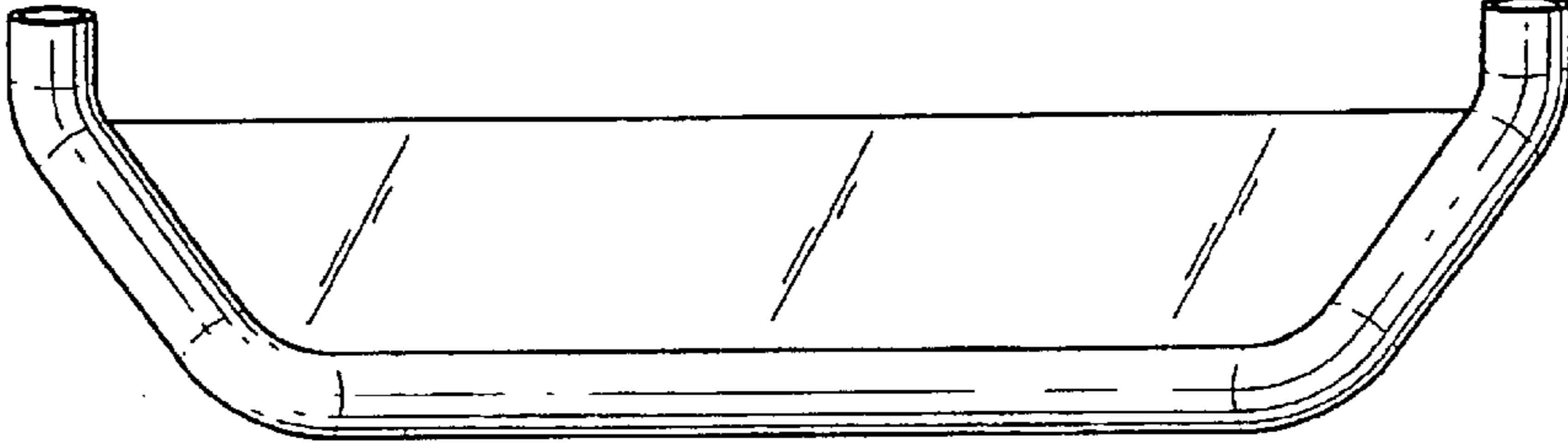


FIG. 2

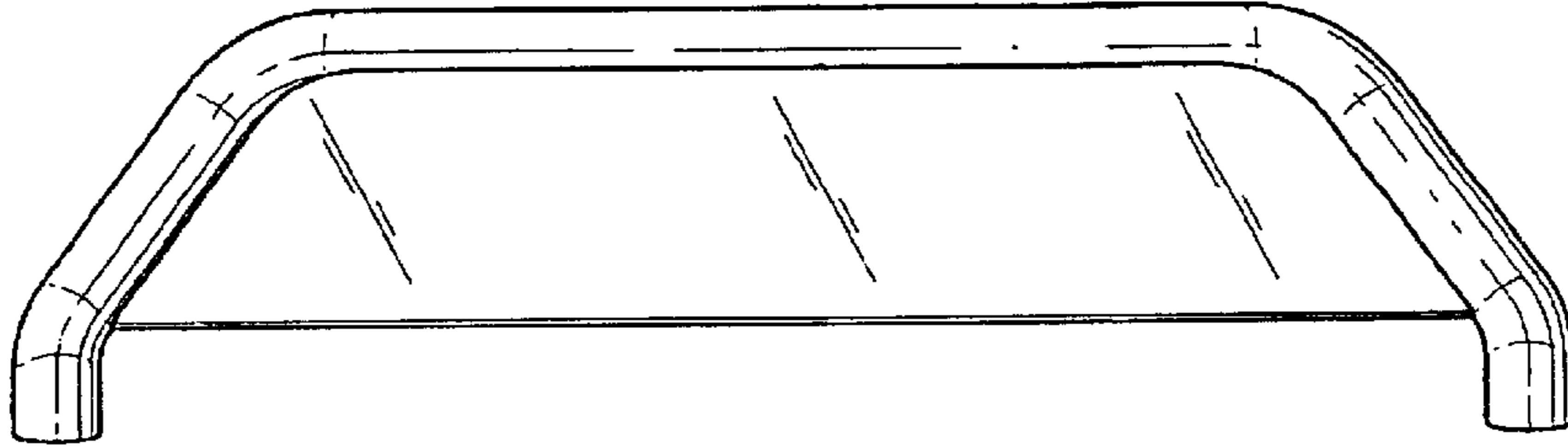


FIG. 3

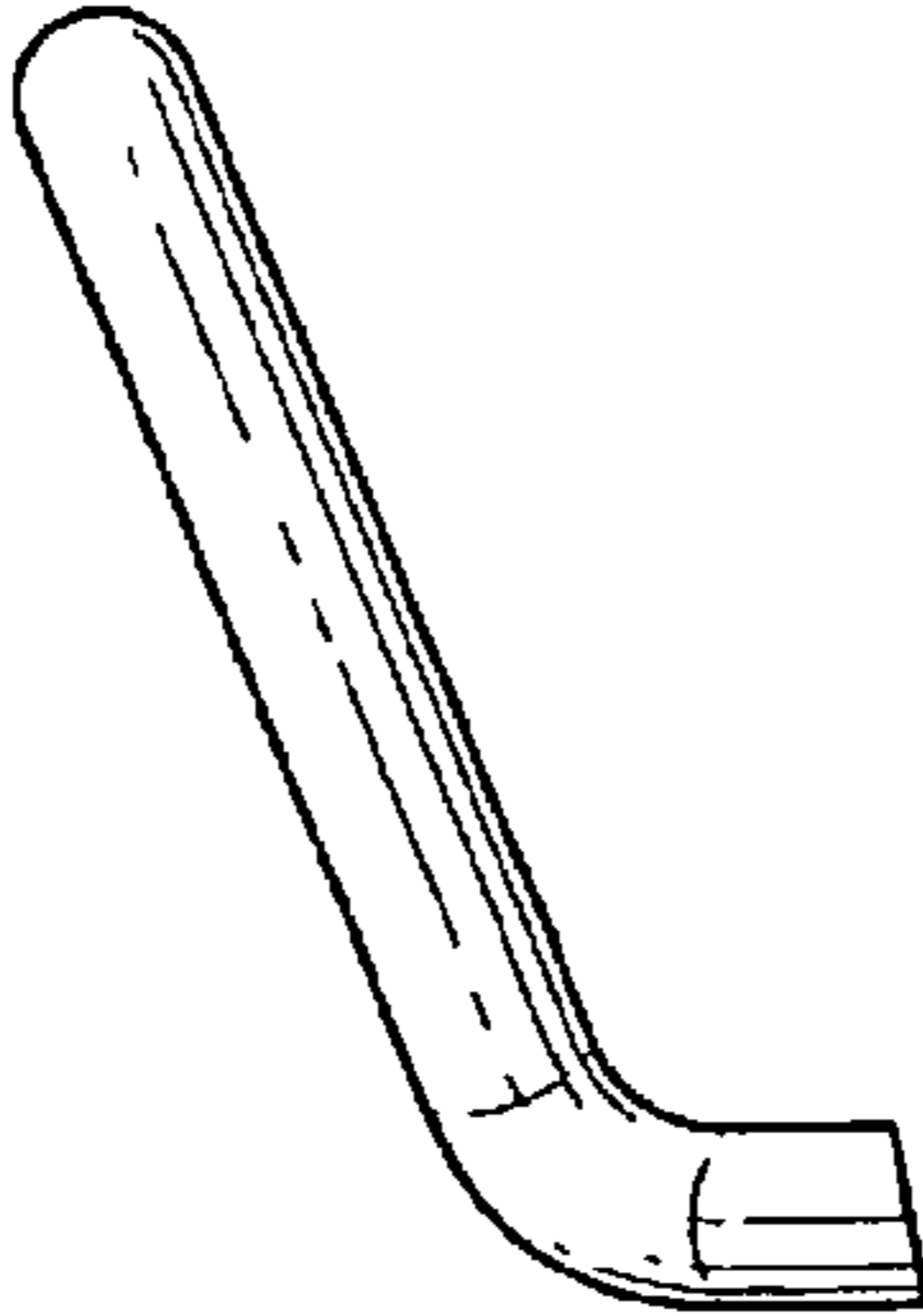


FIG. 4