



US00D505899S

(12) **United States Design Patent**
Boyer

(10) **Patent No.:** **US D505,899 S**
(45) **Date of Patent:** **** Jun. 7, 2005**

(54) **SURFACE CONFIGURATION OF A REAR FENDER FOR A VEHICLE**

Primary Examiner—Melody N. Brown
(74) *Attorney, Agent, or Firm*—Crowell & Moring LLP

(75) **Inventor:** **Boyke Boyer, Ismaning (DE)**

(57) **CLAIM**

(73) **Assignee:** **Bayerische Motoren Werke Aktiengesellschaft, Munich (DE)**

The ornamental design for a surface configuration of a rear fender for a vehicle, as shown and described.

(**) **Term:** **14 Years**

DESCRIPTION

(21) **Appl. No.:** **29/204,039**

This application is related to the following co-pending application, of the inventor, filed on even date herewith: Application Ser. No. 29/204,040, entitled "Surface Configuration of a Vehicle, Toy and/or Other Replicas".

(22) **Filed:** **Apr. 23, 2004**

(30) **Foreign Application Priority Data**

Oct. 24, 2003 (DE) 4 03 06 906

FIG. 1 is a front view of a first embodiment of a surface configuration of a rear fender for a vehicle according to my novel design;

(51) **LOC (8) Cl.** **12-16**

FIG. 2 is a perspective view of the first embodiment of the surface configuration of a rear fender for a vehicle according to my novel design;

(52) **U.S. Cl.** **D12/196**

(58) **Field of Search** D12/184, 196,
D12/90-92, 86; 280/152.1, 153.1, 848

FIG. 3 is a front view of a second embodiment of the surface configuration of a rear fender for a vehicle according to my novel design; and,

(56) **References Cited**

U.S. PATENT DOCUMENTS

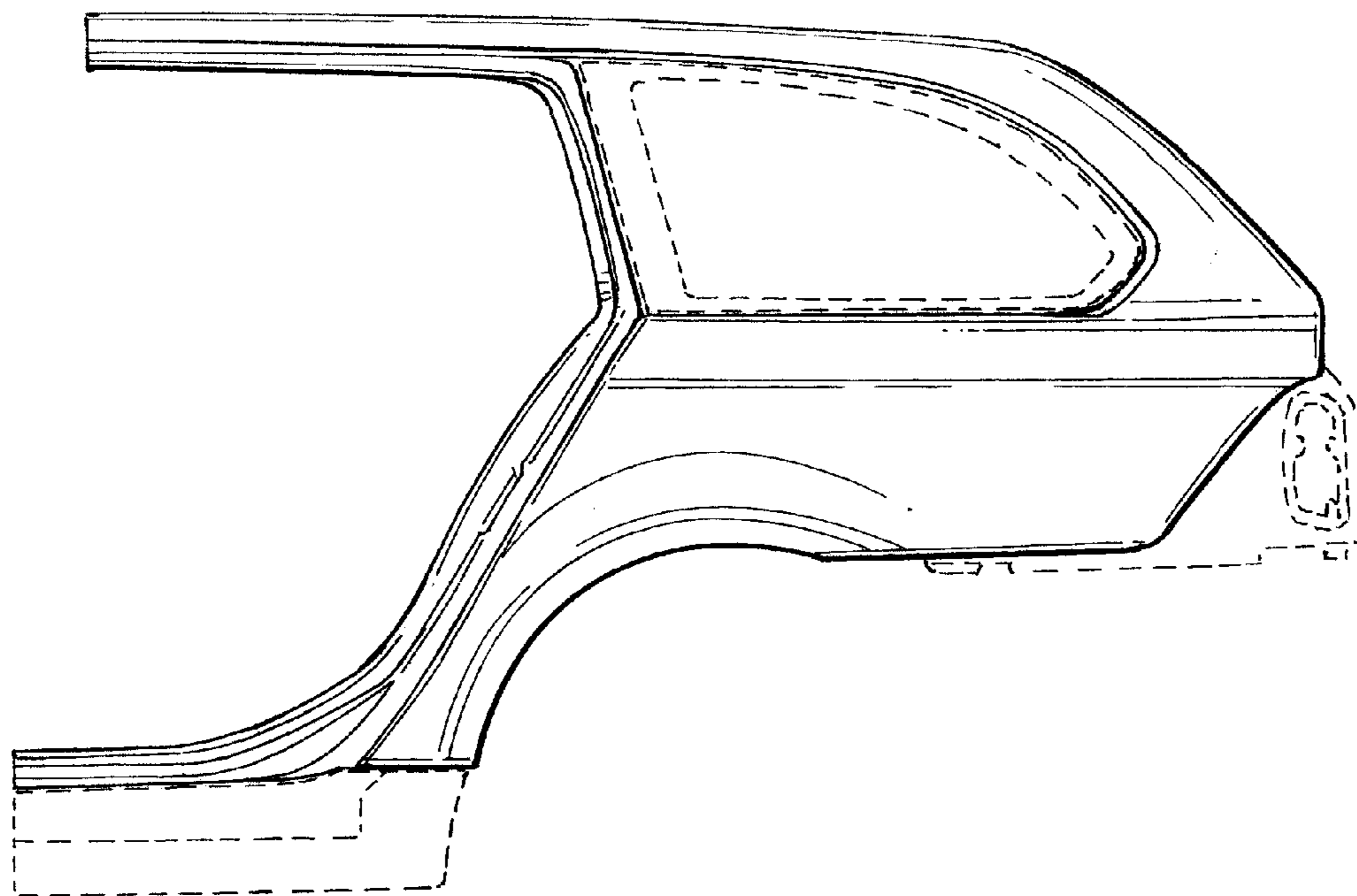
D382,844 S	*	8/1997	Norwood et al.	D12/184
D392,220 S	*	3/1998	Hausmann	D12/91
D476,935 S	*	7/2003	Boyer	D12/184
D491,857 S	*	6/2004	Velazco	D12/196
D496,306 S	*	9/2004	Chapman	D12/92

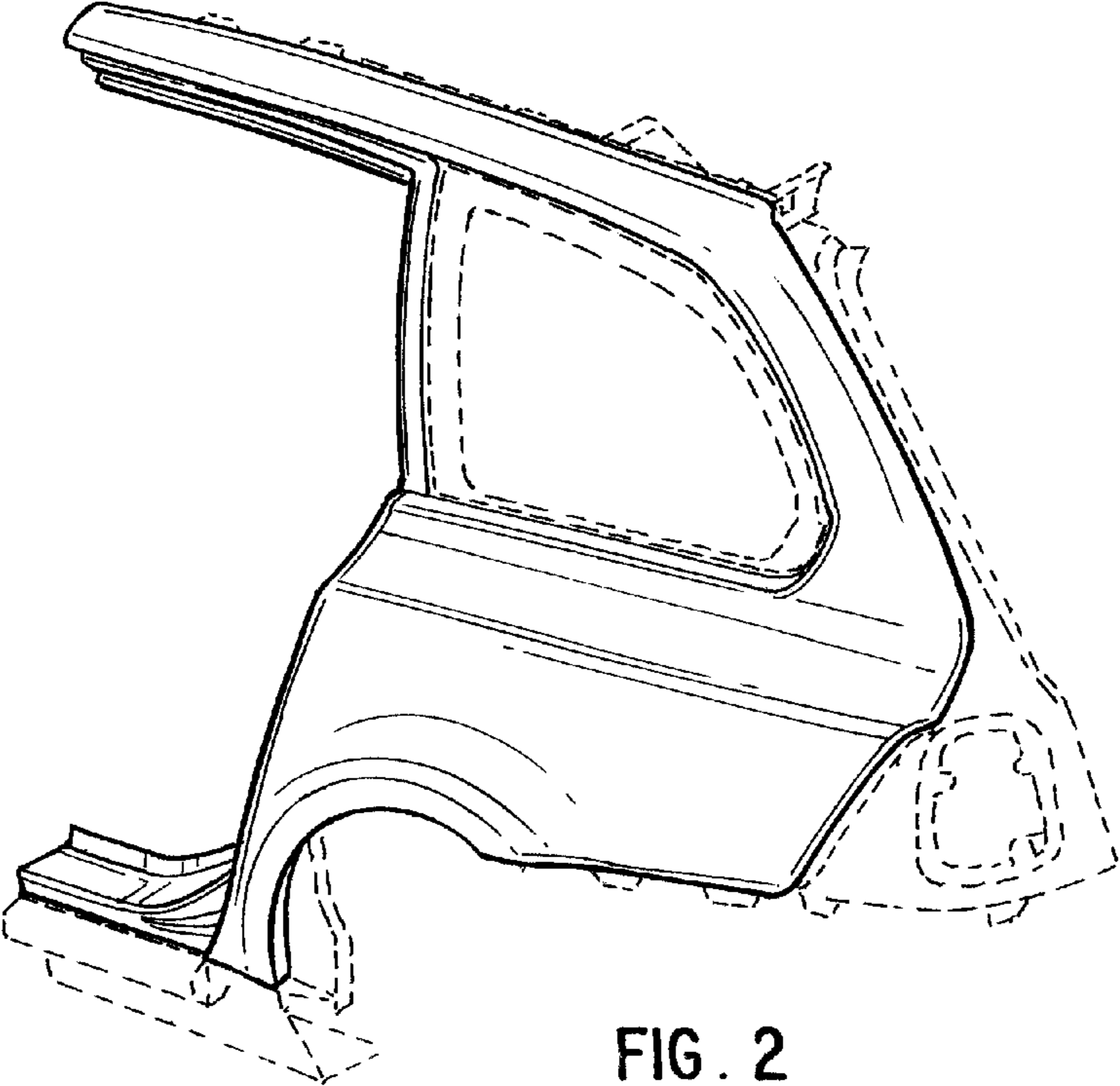
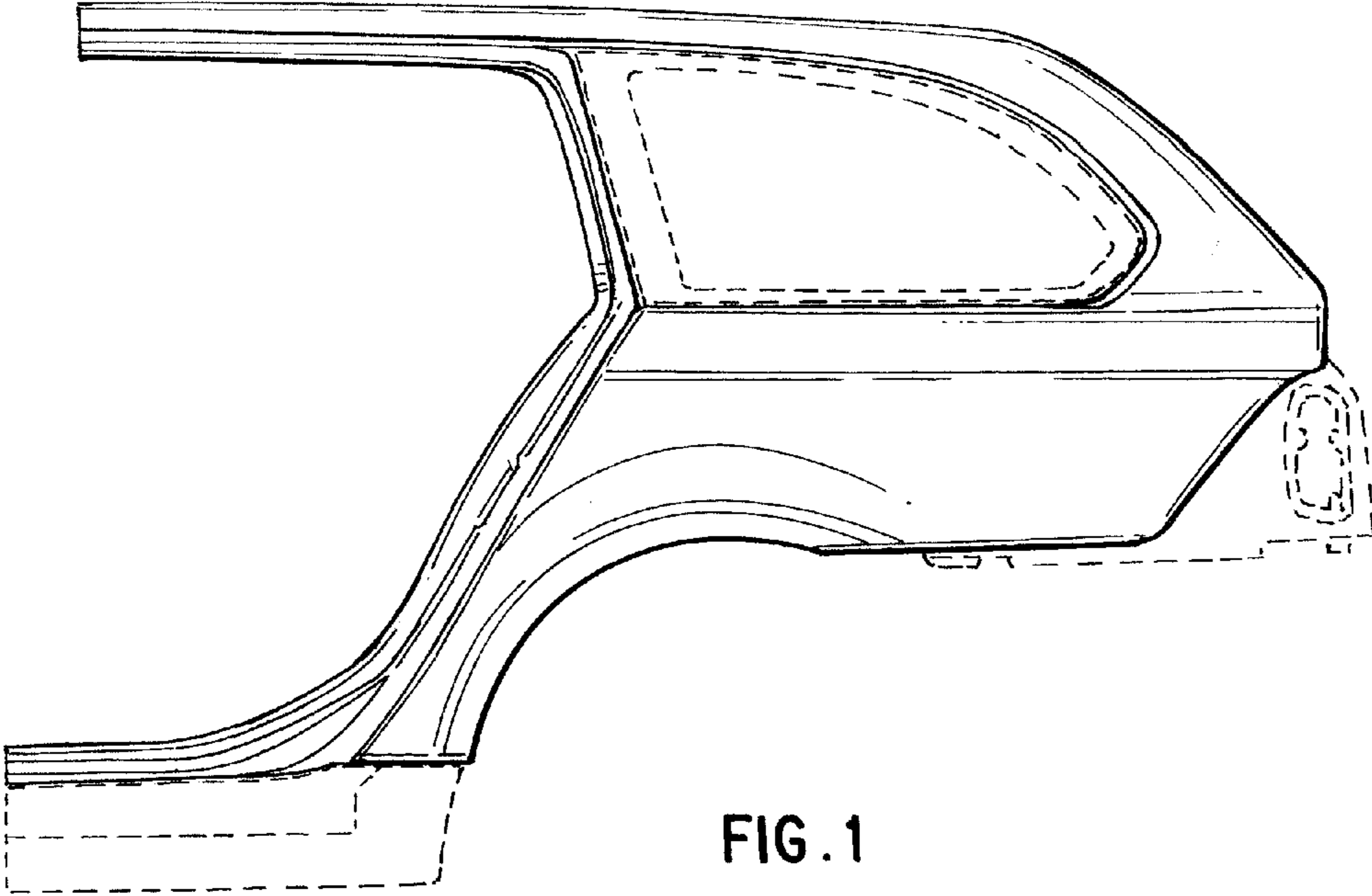
FIG. 4 is a perspective view of the second embodiment of the surface configuration of a rear fender for a vehicle according to my novel design.

The broken lines are for illustrative purposes only and form no part of the claimed design.

* cited by examiner

1 Claim, 2 Drawing Sheets





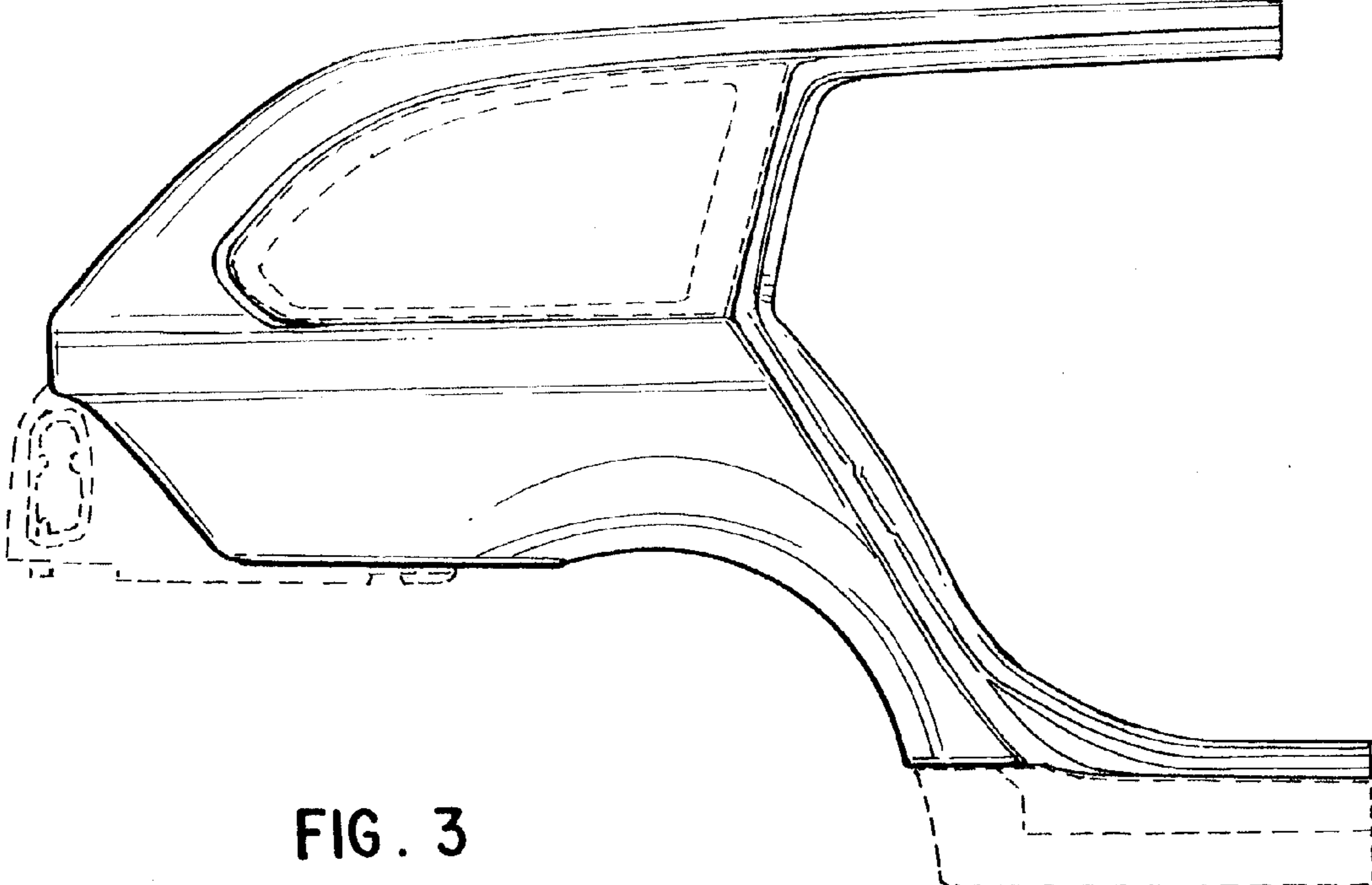


FIG. 3

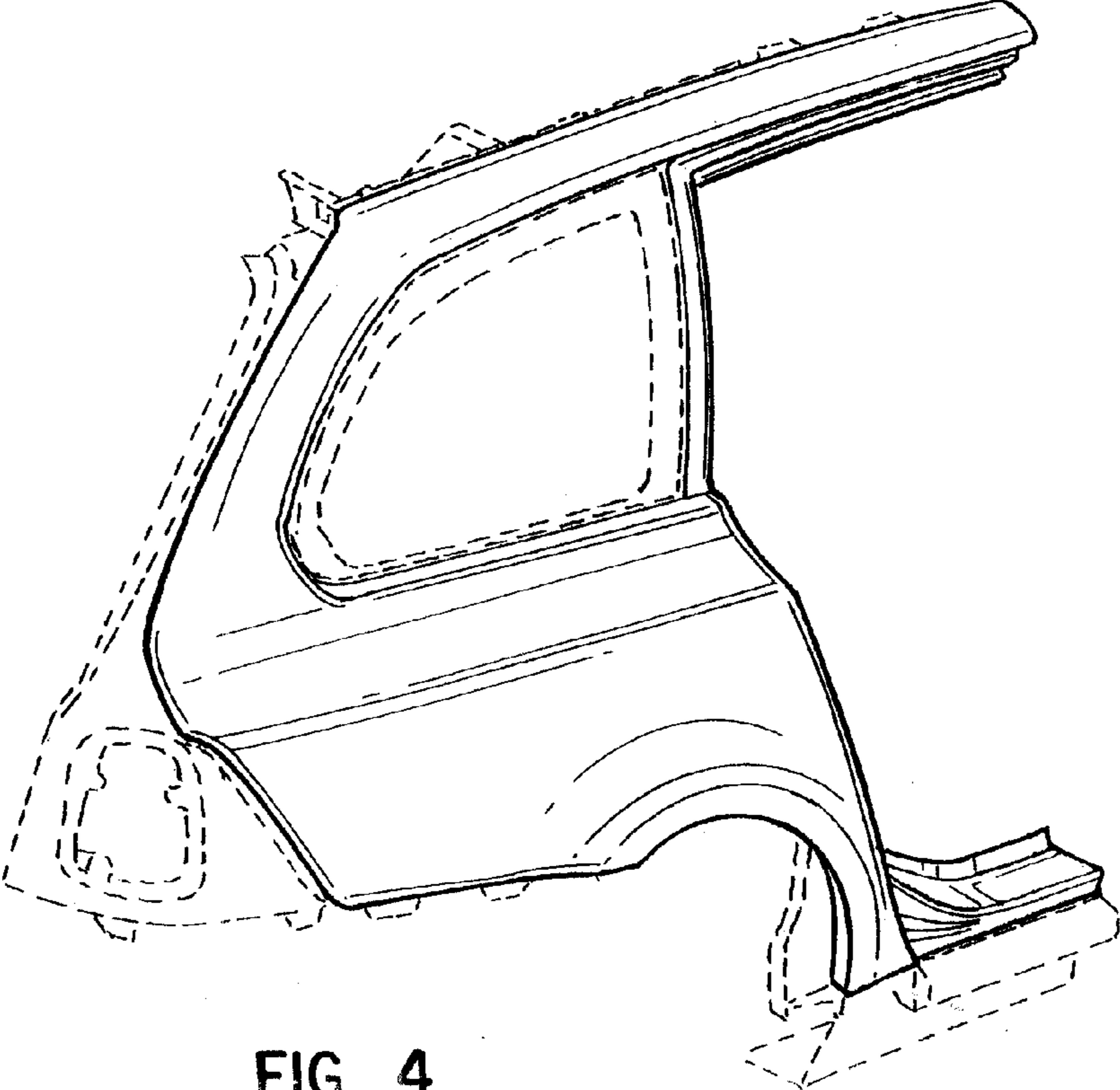


FIG. 4