



US00D505892S

(12) **United States Design Patent**
Haeggberg

(10) **Patent No.:** **US D505,892 S**

(45) **Date of Patent:** **** Jun. 7, 2005**

(54) **FOLDABLE BUGGY**

(76) Inventor: **Christian Haeggberg**, Muhlaustrasse
42, Bazenheid (CH)

(**) Term: **14 Years**

(21) Appl. No.: **29/203,952**

(22) Filed: **Apr. 22, 2004**

(51) **LOC (8) Cl.** **12-99**

(52) **U.S. Cl.** **D12/129**

(58) **Field of Search** D12/128-133;
280/642, 644, 647, 648, 649, 650, 47.36,
47.371

(56) **References Cited**

U.S. PATENT DOCUMENTS

4,834,403 A	5/1989	Yanus et al.	
D419,493 S *	1/2000	Flannery et al.	D12/129
D457,110 S *	5/2002	Huang	D12/129
D463,760 S *	10/2002	Yang et al.	D12/129
6,513,827 B1	2/2003	Barenbrug	
D494,511 S *	8/2004	Chen	D12/129

FOREIGN PATENT DOCUMENTS

DE	372037	3/1923
DE	29506777	8/1995
FR	2164026	7/1973
FR	2486894	6/1982

* cited by examiner

Primary Examiner—Marcus A. Jackson

(74) *Attorney, Agent, or Firm*—Shoemaker and Mattare

(57) **CLAIM**

The ornamental design for a foldable buggy, as shown and described.

DESCRIPTION

FIG. 1 is a perspective view of a foldable buggy, showing my new design from above and to the left side;

FIG. 2 is a perspective view thereof, from the rear and the right side;

FIG. 3 is a left side elevation thereof, the right elevation being a mirror image;

FIG. 4 is a front elevation thereof;

FIG. 5 is a rear elevation thereof; and

FIG. 6 is a top plan view thereof.

FIG. 7 is a perspective view of the buggy, with cushions and restraints attached, from above and to the right side;

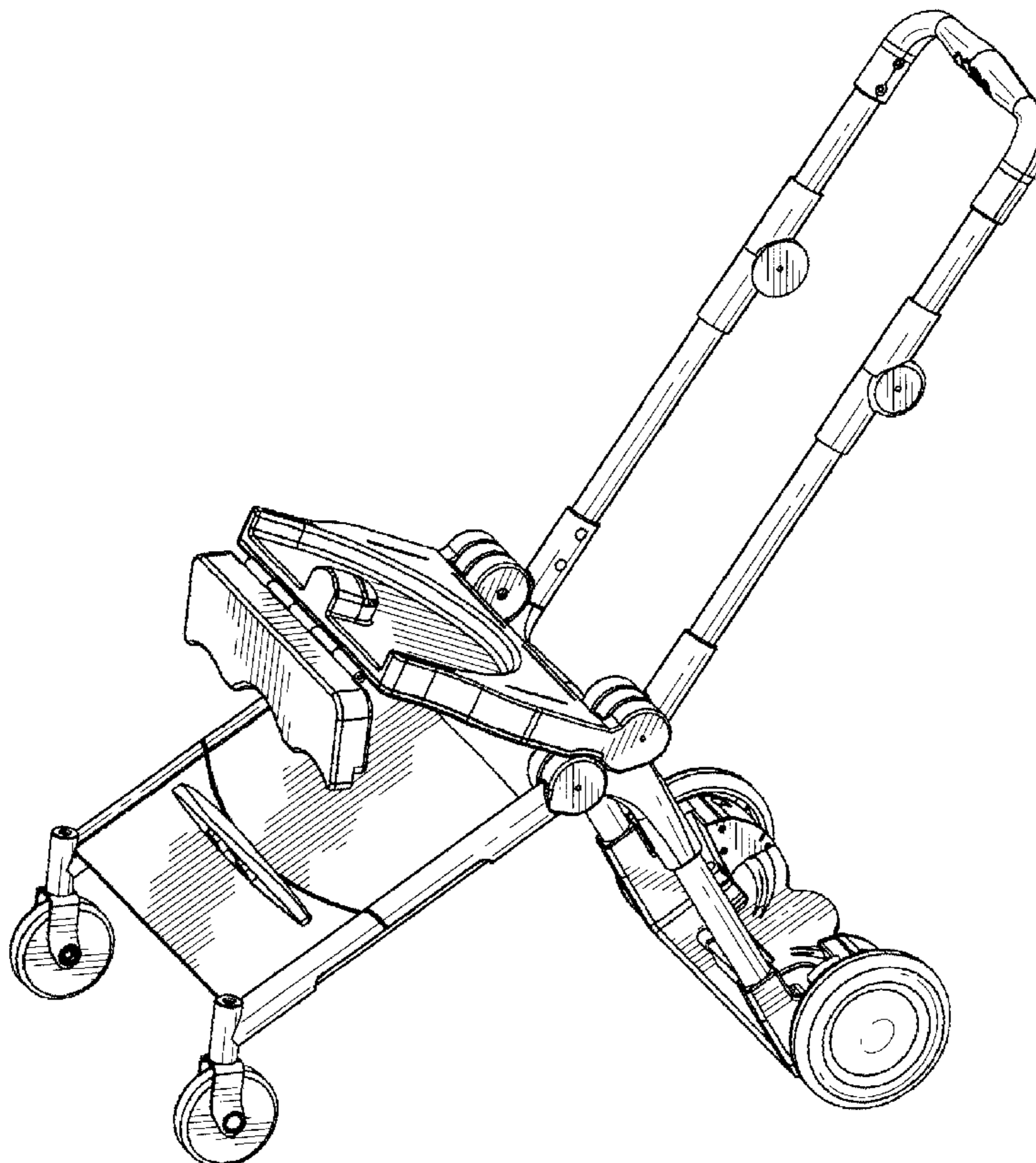
FIG. 8 is a perspective view thereof, from the rear and left side;

FIG. 9 is a perspective view thereof, showing the left side of the buggy in a folded configuration;

FIG. 10 is a perspective view thereof, showing the right side of the buggy in the folded configuration; and,

FIG. 11 is an exploded perspective view of the buggy, cushions and restraints.

1 Claim, 11 Drawing Sheets



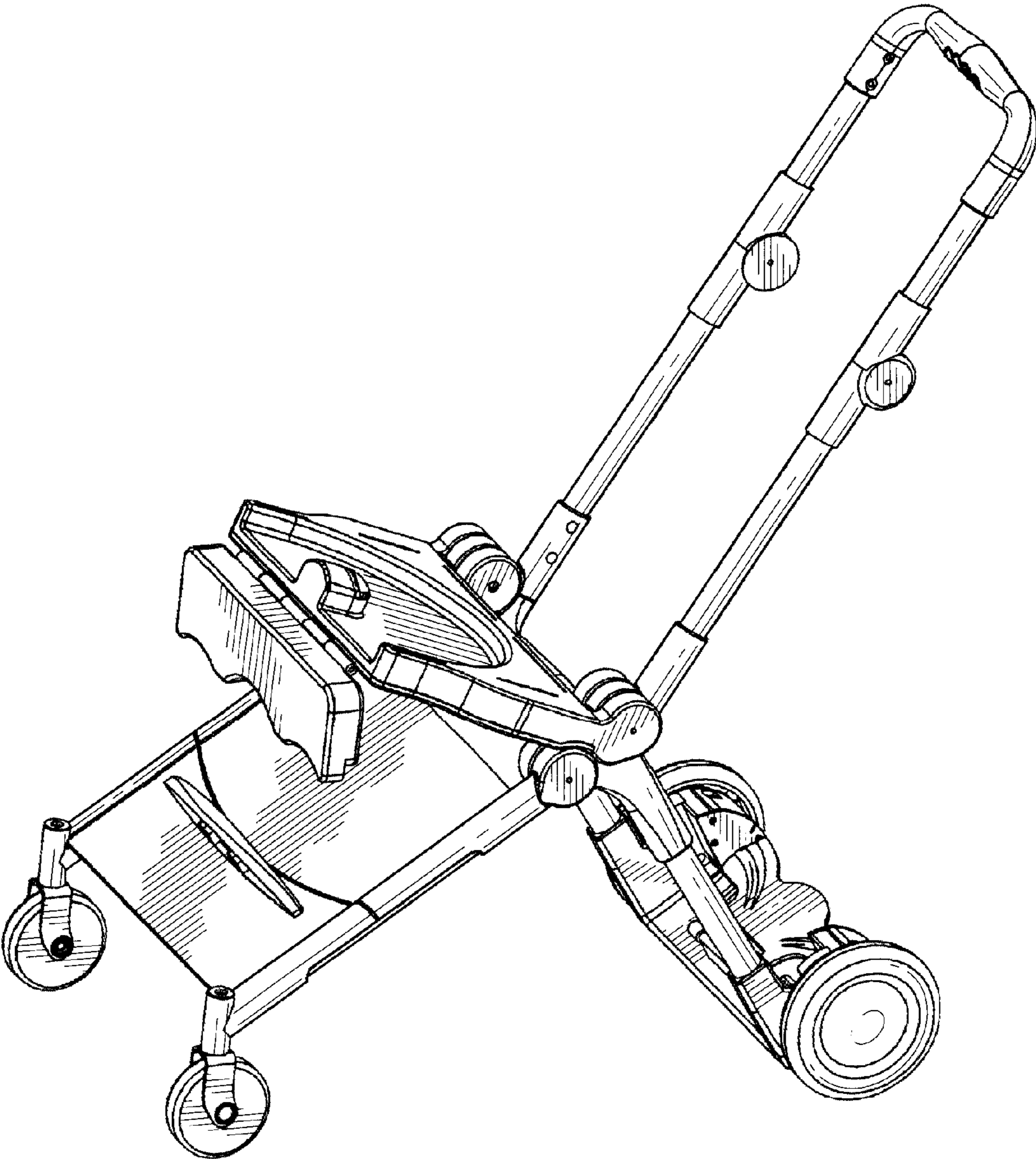


FIG. 1

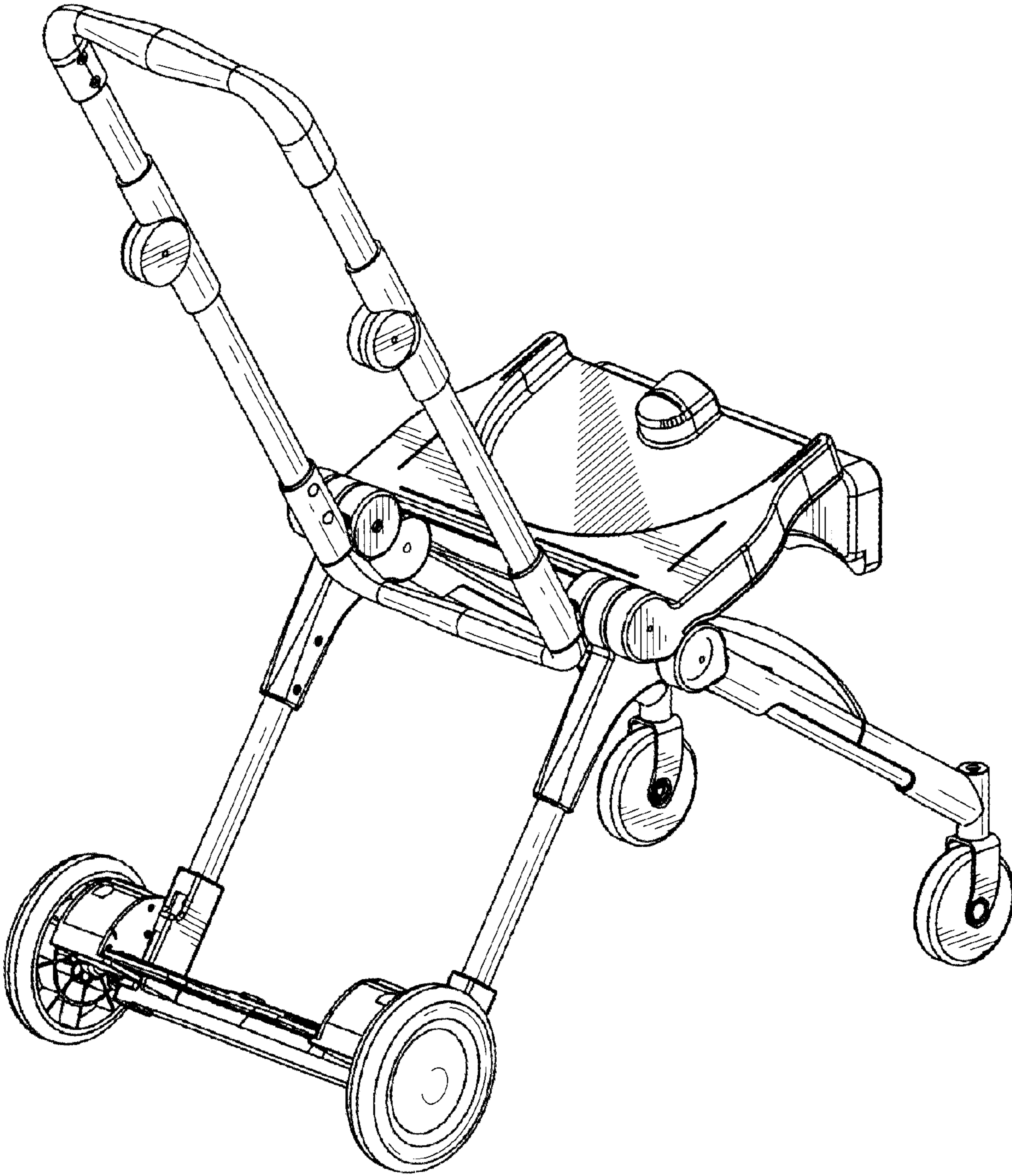


FIG. 2

FIG. 3

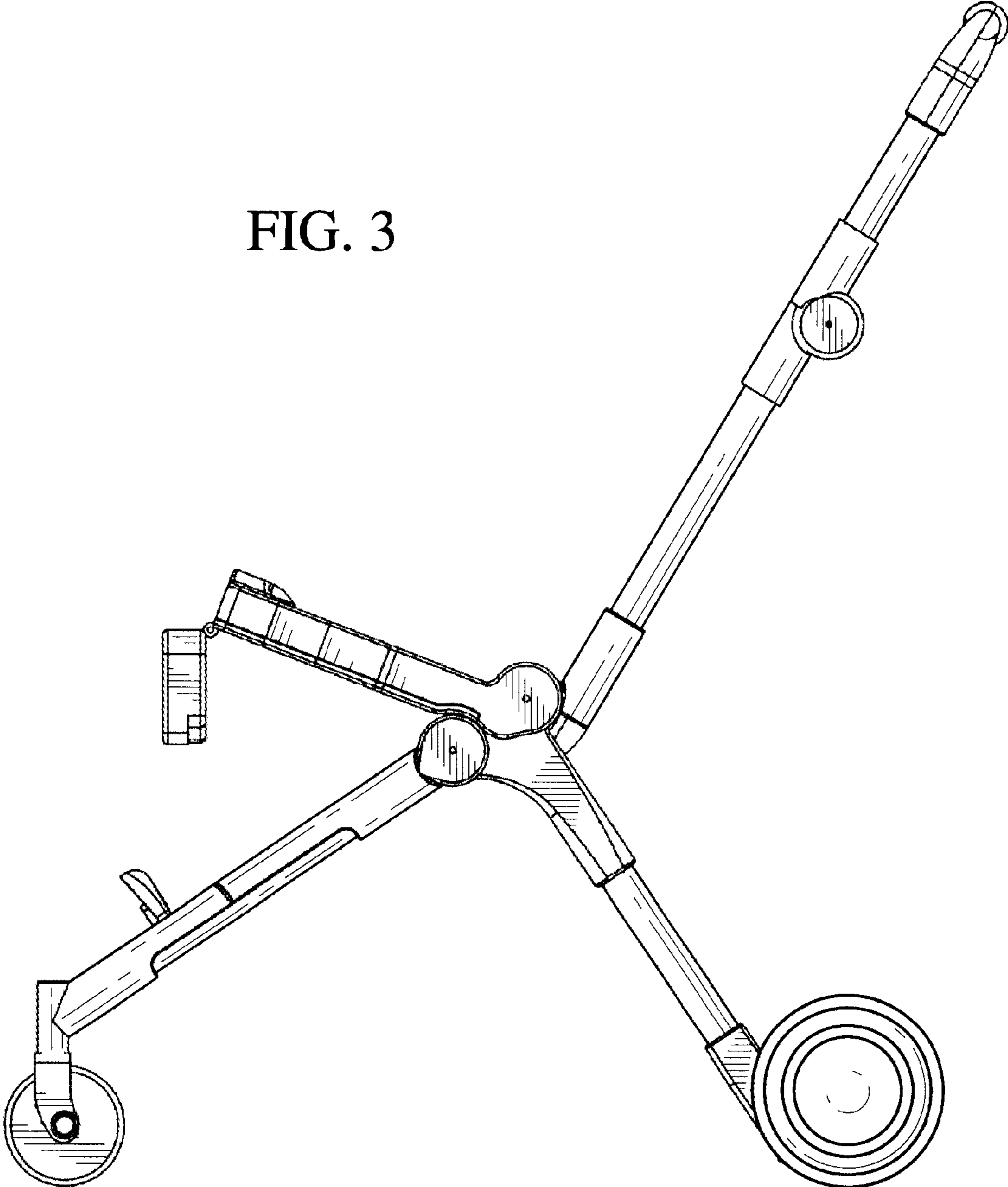


FIG. 4

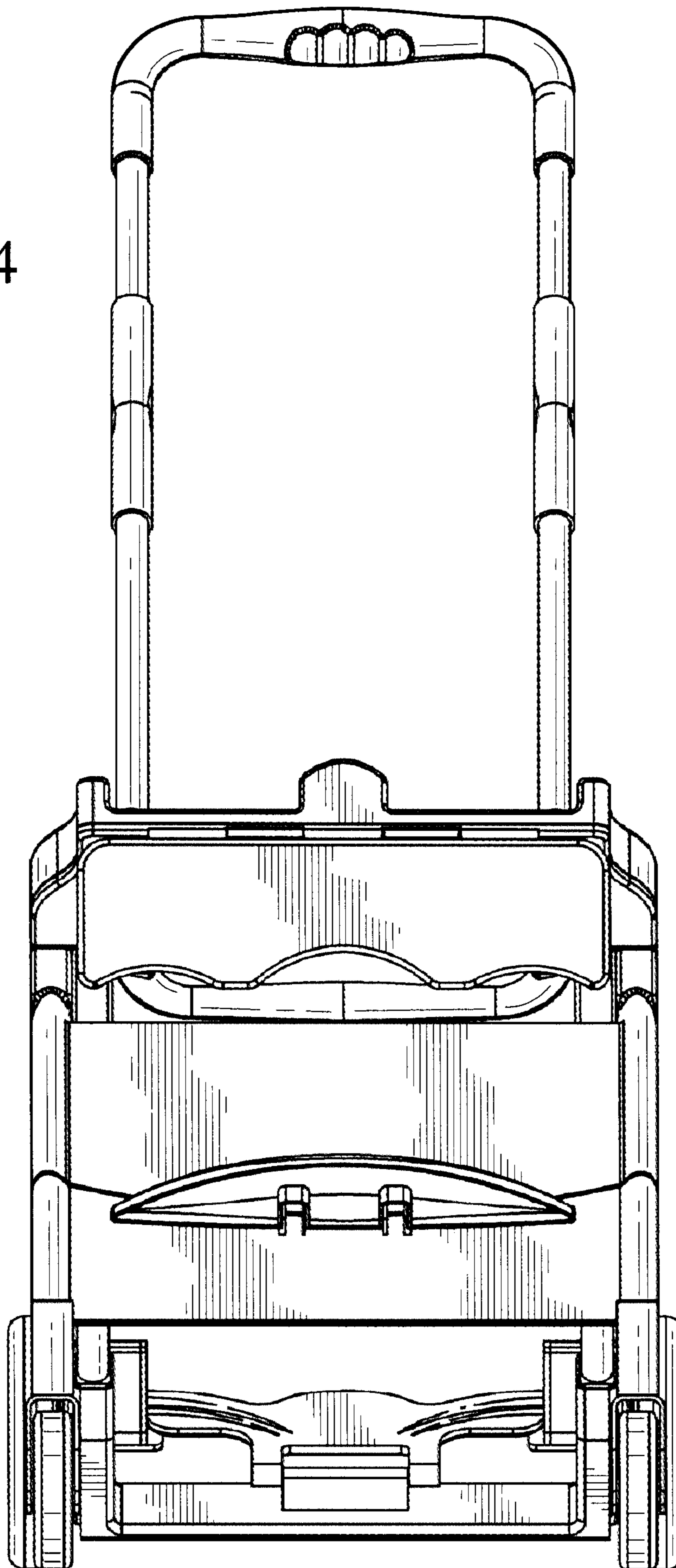
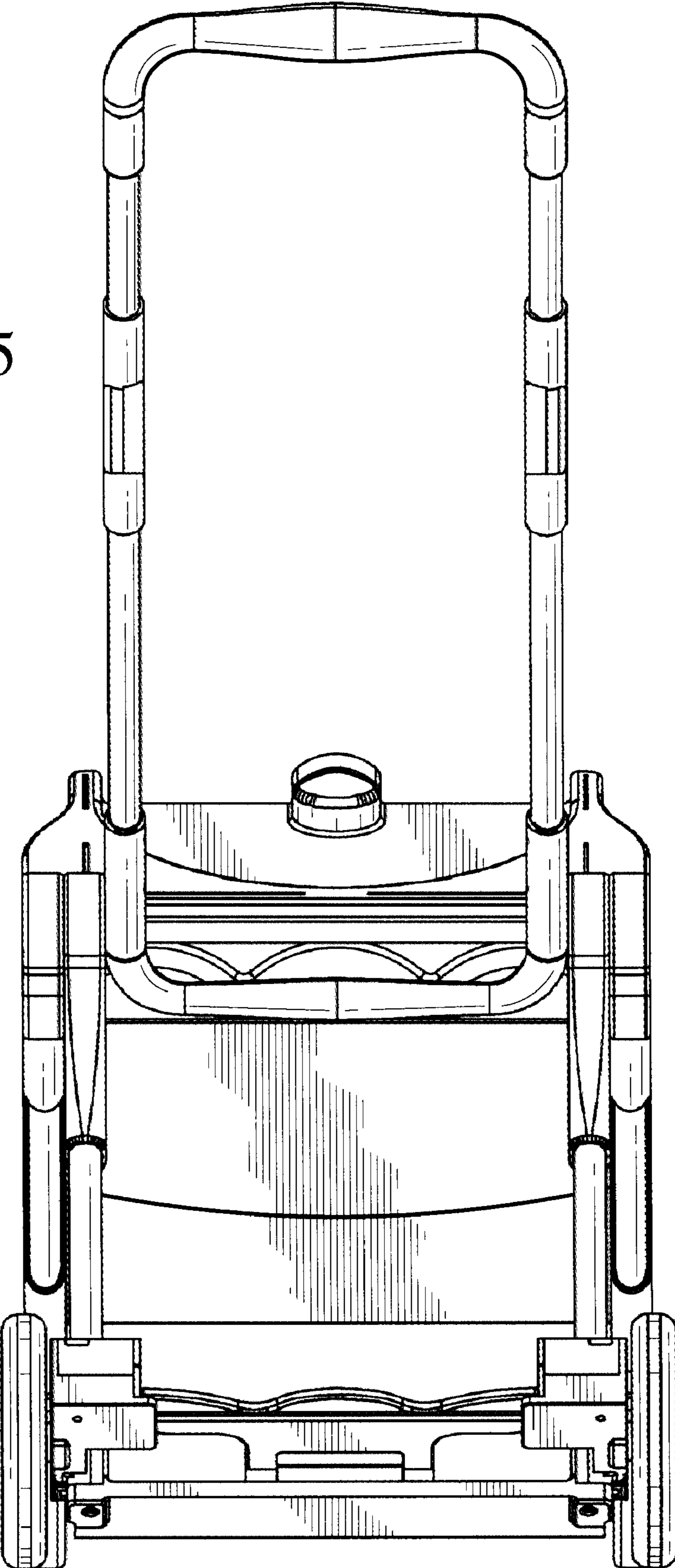


FIG. 5



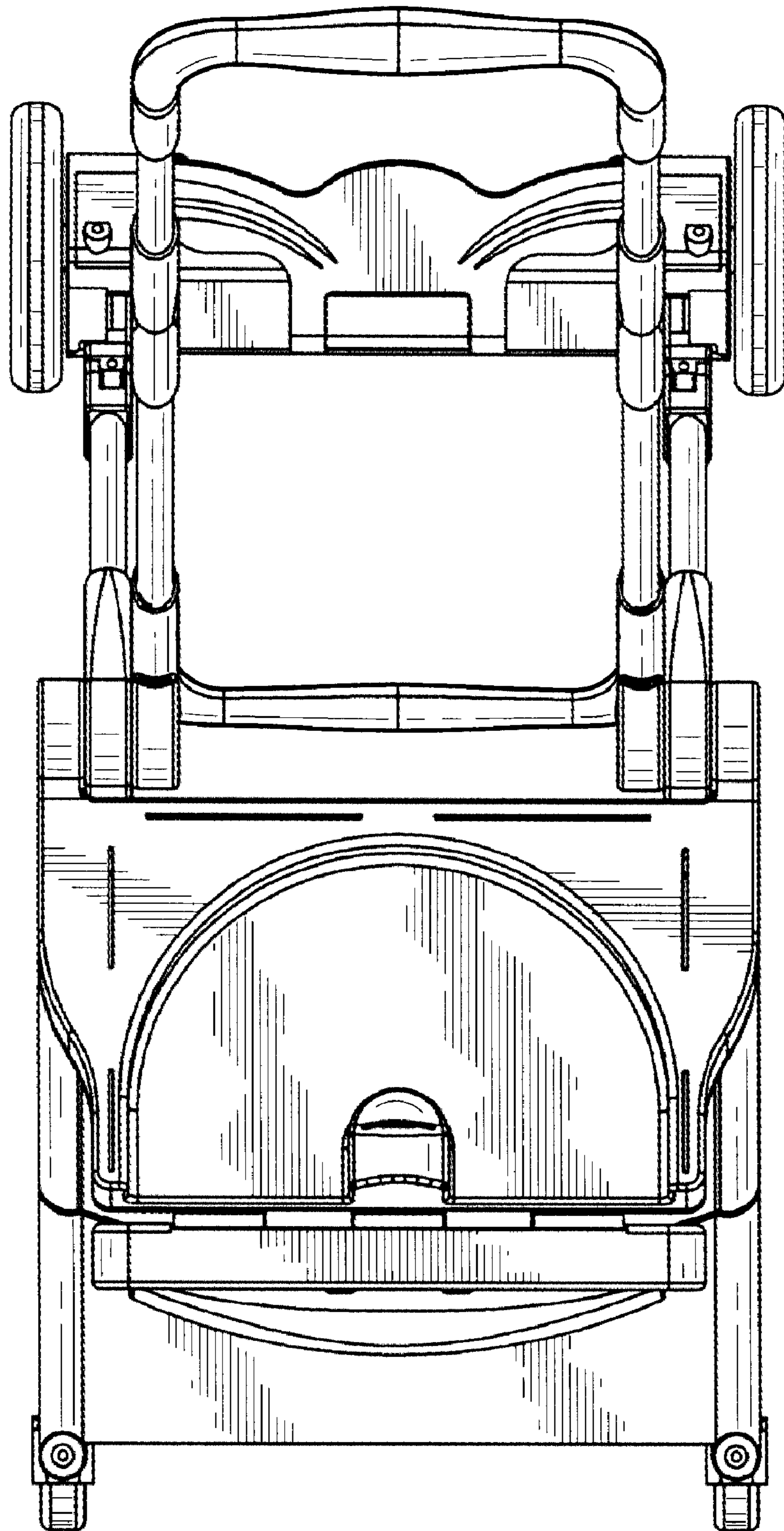


FIG. 6

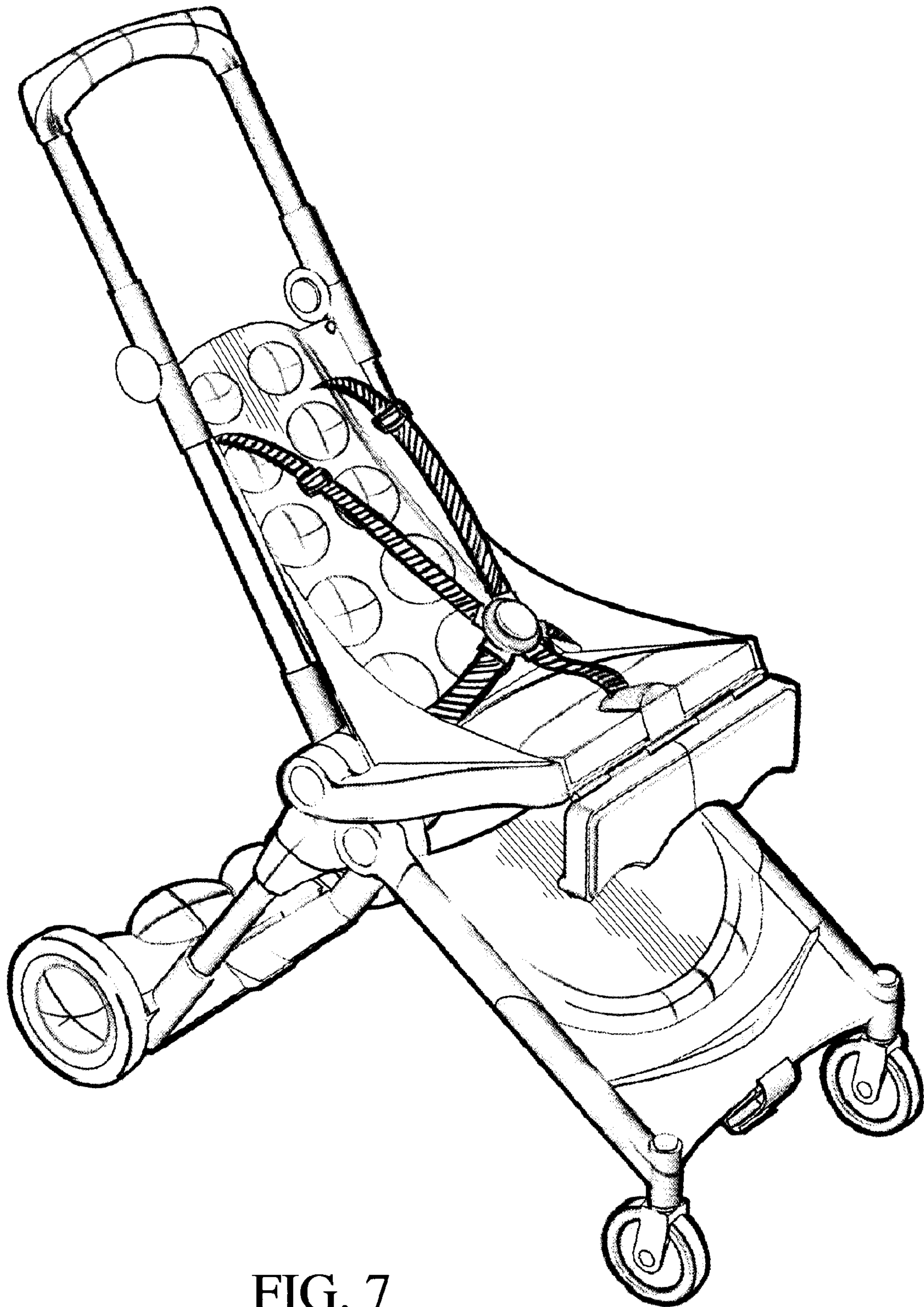
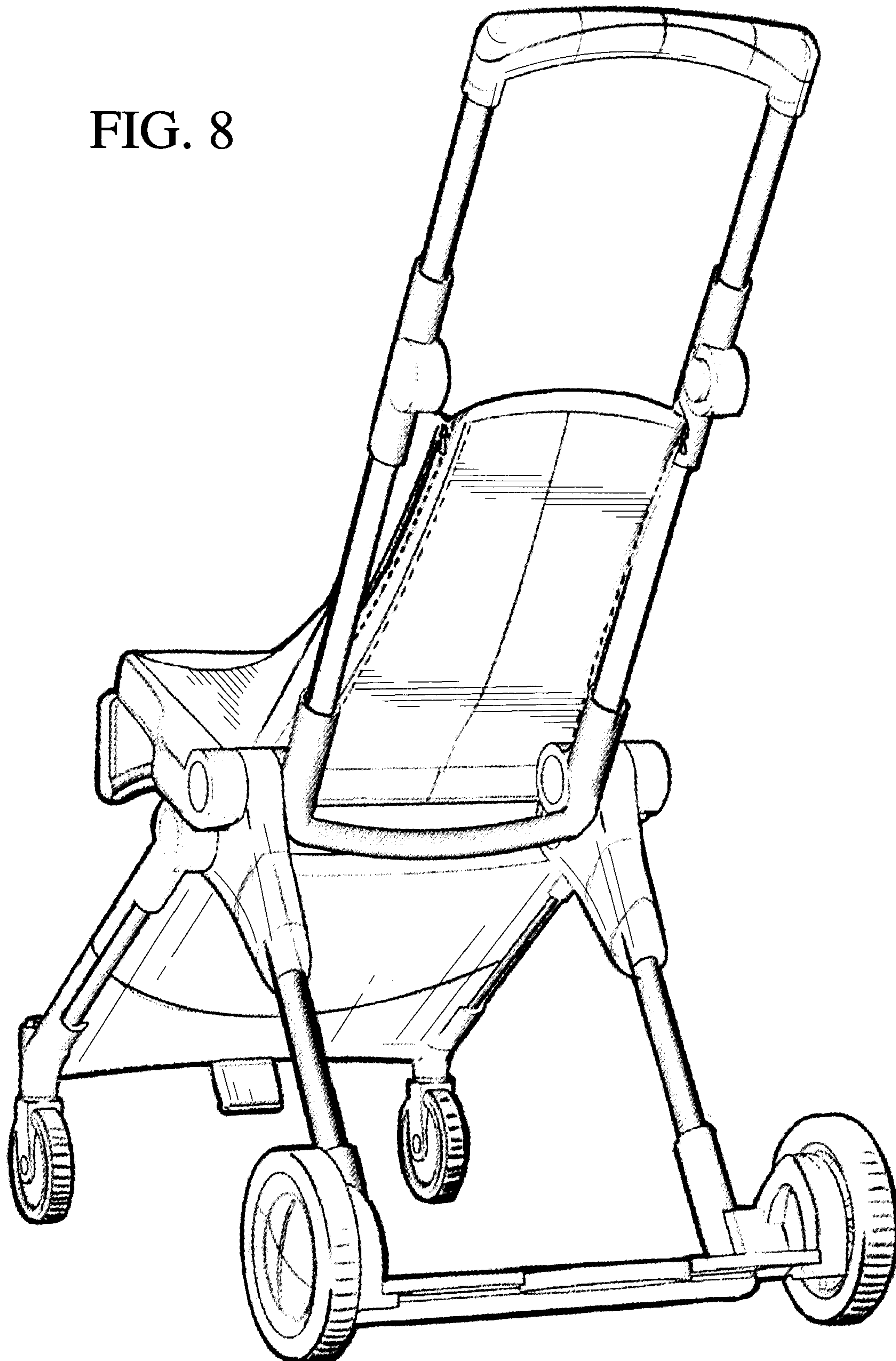


FIG. 7

FIG. 8



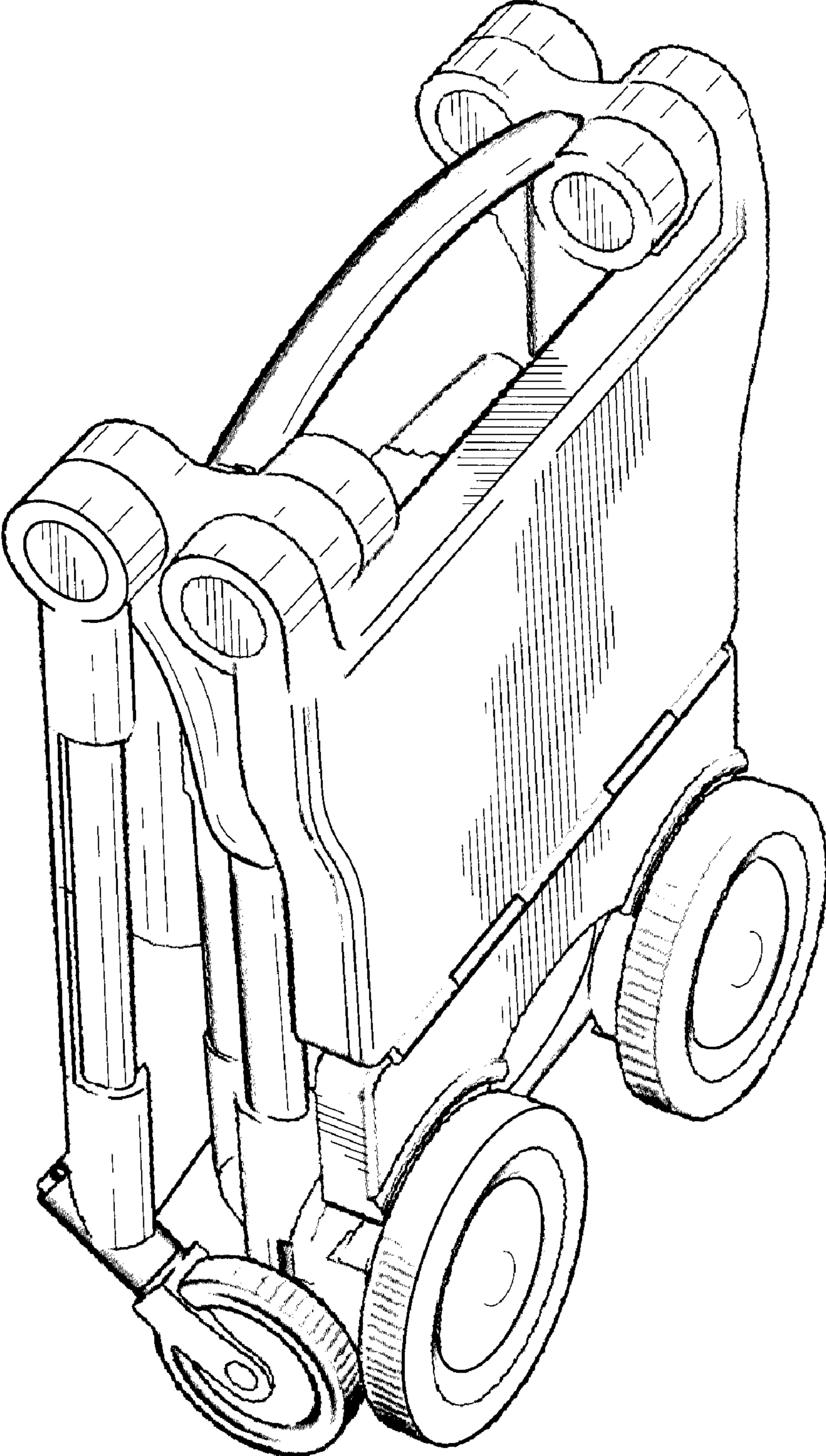


FIG. 9

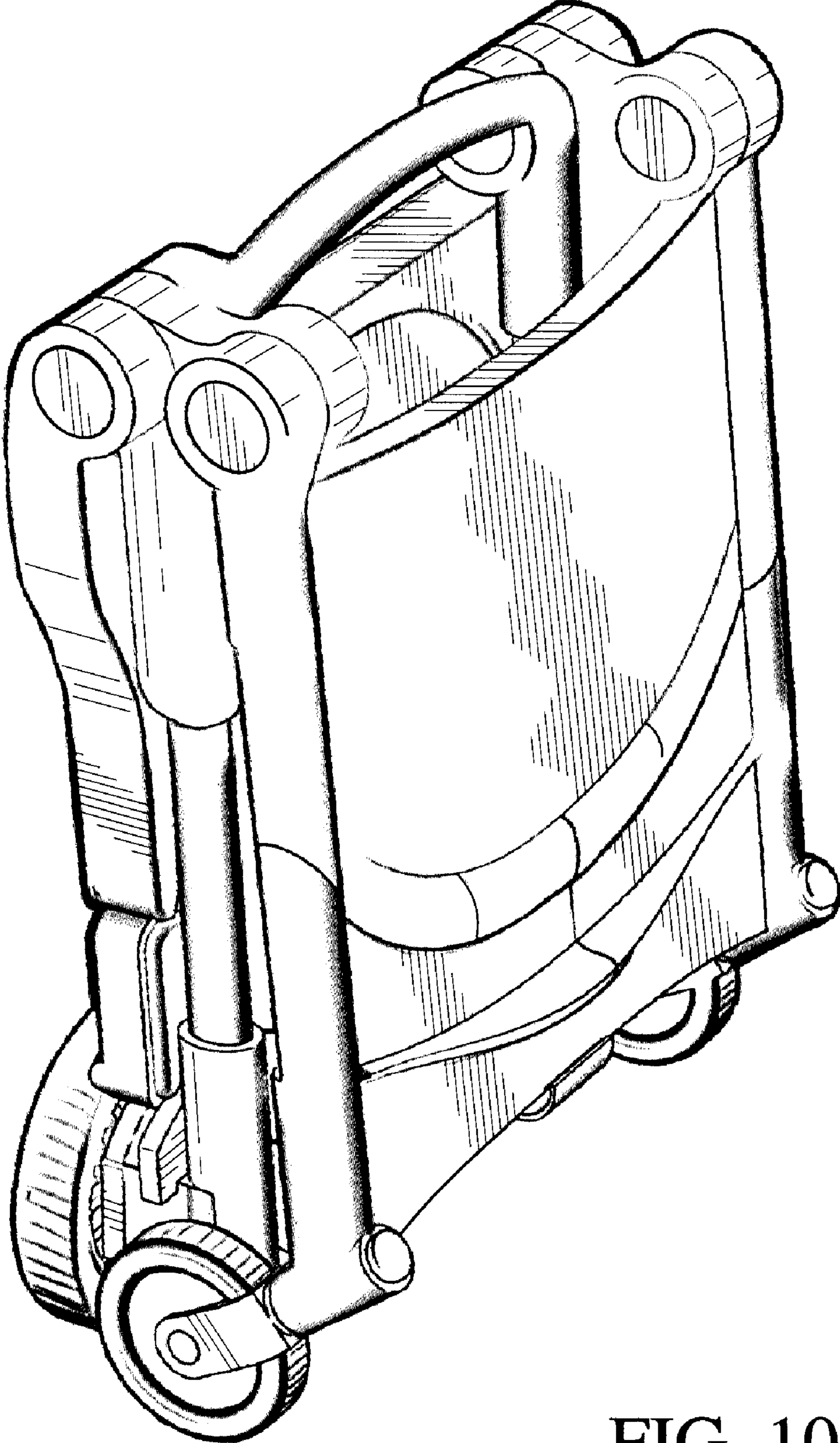


FIG. 10

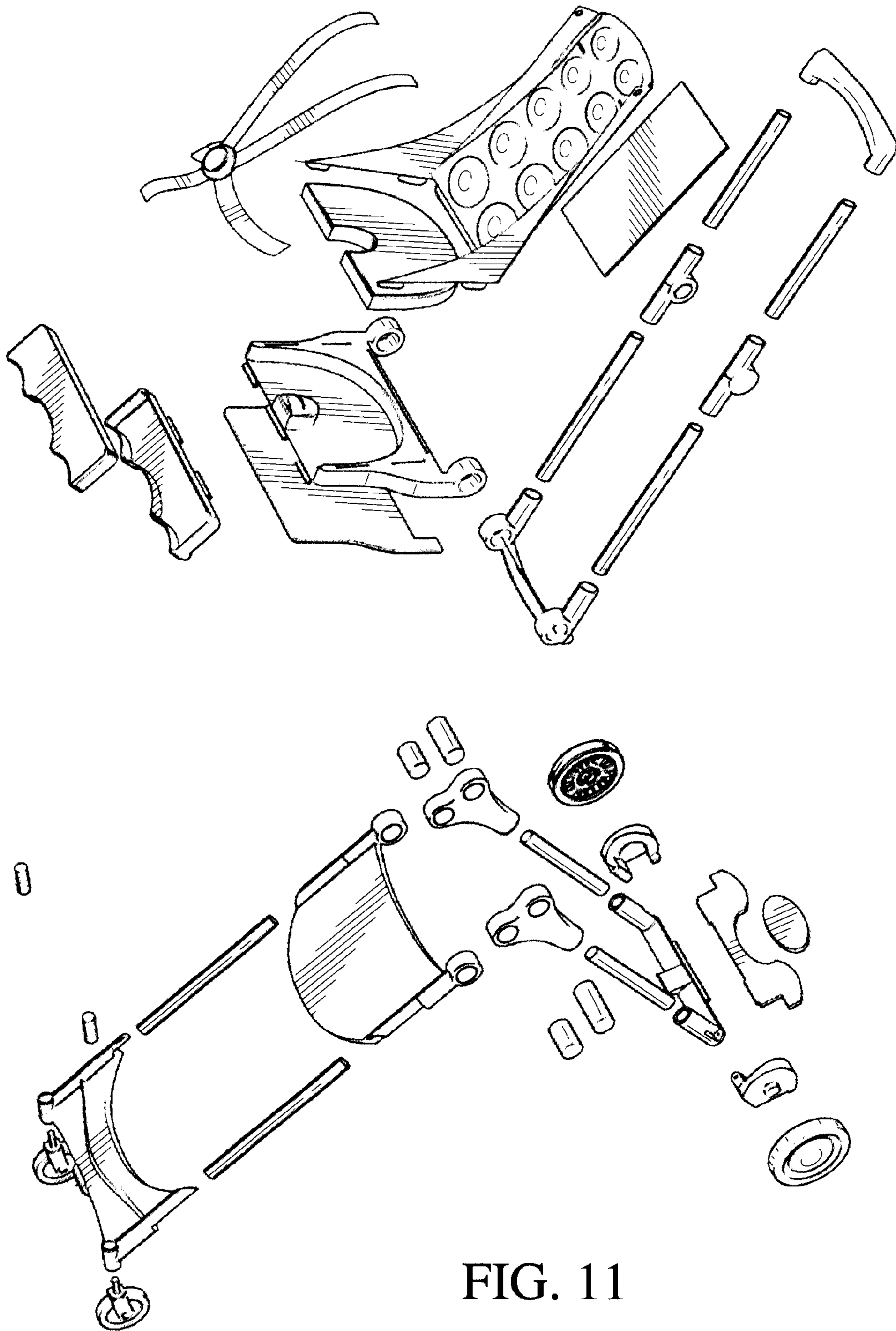


FIG. 11