

US00D505882S

(12) **United States Design Patent**
Hensen

(10) **Patent No.:** **US D505,882 S**

(45) **Date of Patent:** **** Jun. 7, 2005**

(54) **FLOWER POT**

D452,821 S * 1/2002 Westphal D9/429
D491,021 S * 6/2004 Webb D7/531

(75) **Inventor:** **Edward R. Hensen, Brantford (CA)**

OTHER PUBLICATIONS

(73) **Assignee:** **ITML Horticultural Products Incorporated, Brantford (CA)**

Dillen Products web catalogue © 2003–2004.

(**) **Term:** **14 Years**

* cited by examiner

(21) **Appl. No.:** **29/196,999**

Primary Examiner—Mimosa De

(22) **Filed:** **Jan. 8, 2004**

(74) *Attorney, Agent, or Firm*—Jeffrey W. Wong; Borden Ladner Gervais LLP

(51) **LOC (8) Cl.** **11-02**

(52) **U.S. Cl.** **D11/152; D11/153**

(58) **Field of Search** D11/143–144,
D11/148, 149, 152–154, 164; 47/65.5, 66.6,
67, 71; 206/423, 519; 248/27.8; D7/527–532,
560, 565, 587, 640, 641; D9/428, 429

(57) **CLAIM**

We claim the ornamental design for flower pot, as shown and described.

(56) **References Cited**

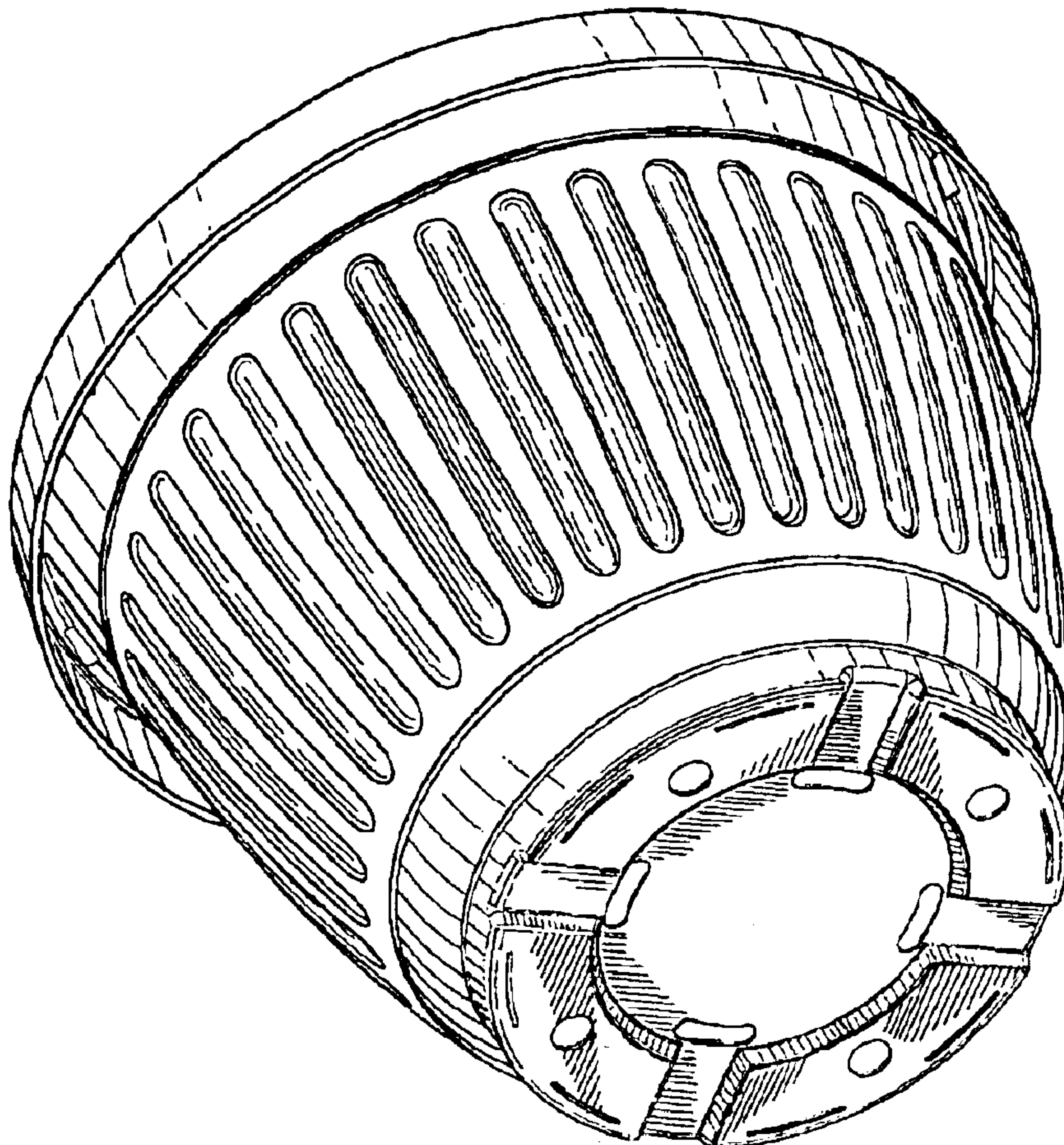
U.S. PATENT DOCUMENTS

D192,435 S * 3/1962 Goodman D7/531
D286,249 S * 10/1986 Carlson D7/587
4,715,144 A * 12/1987 Lee 47/66.6
D325,181 S * 4/1992 Lee D11/152

DESCRIPTION

FIG. 1 is a front elevation view of the plant pot;
FIG. 2 is a top view of the plant pot;
FIG. 3 is a bottom view of the plant pot;
FIG. 4 is a perspective view of the plant pot, from above;
and,
FIG. 5 is a perspective view of the plant pot, from below.

1 Claim, 3 Drawing Sheets



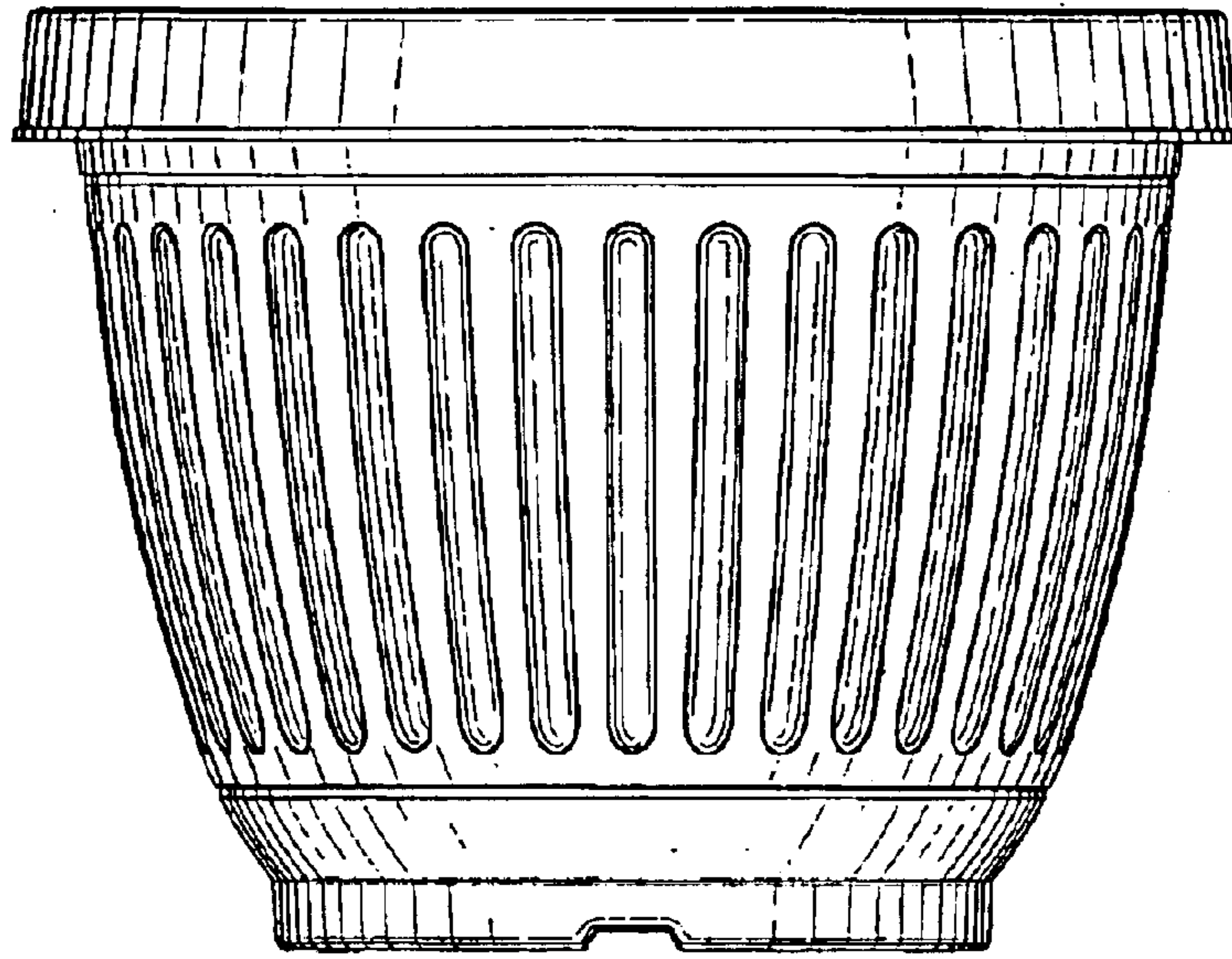


FIG. 1

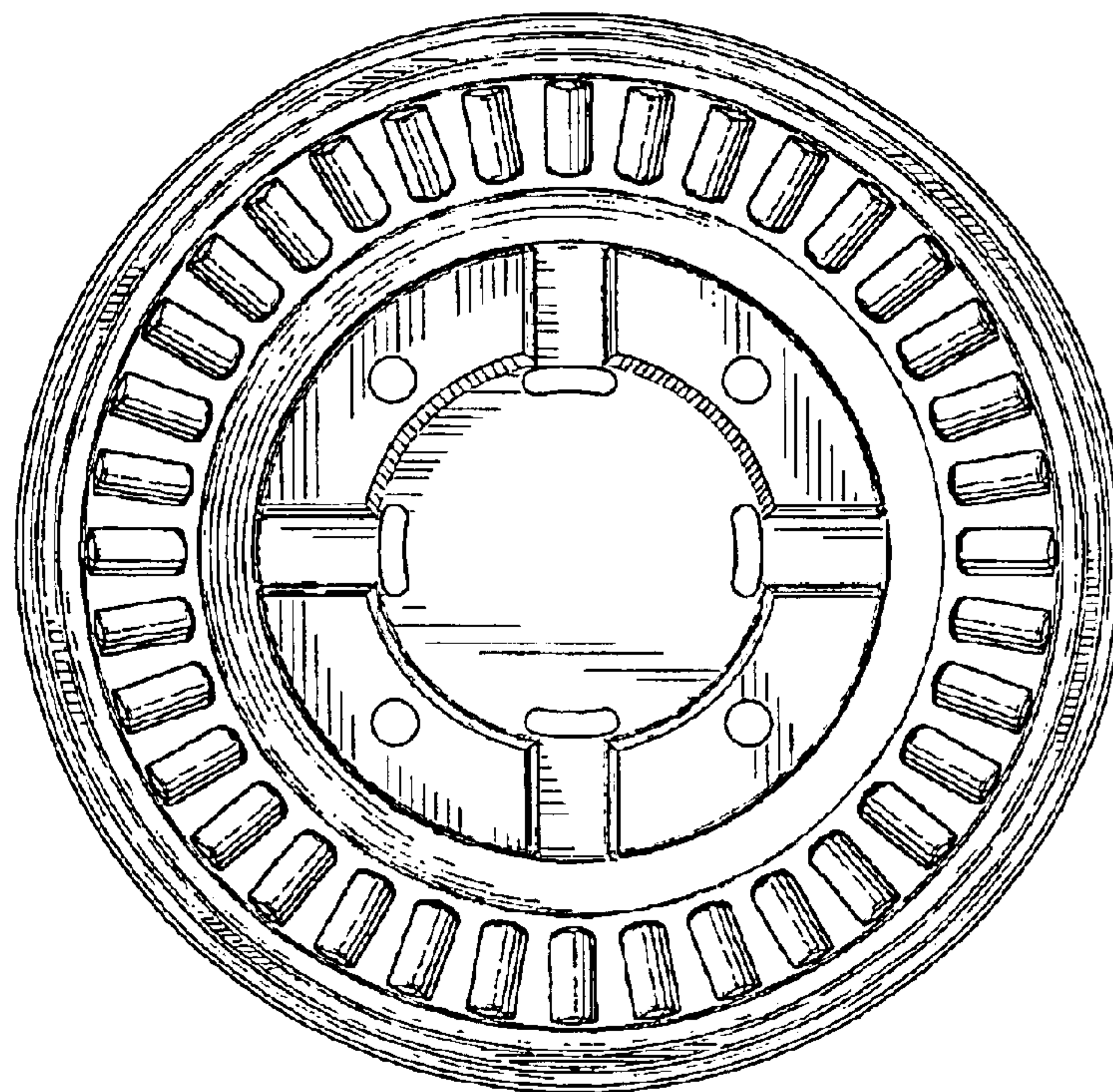


FIG. 2

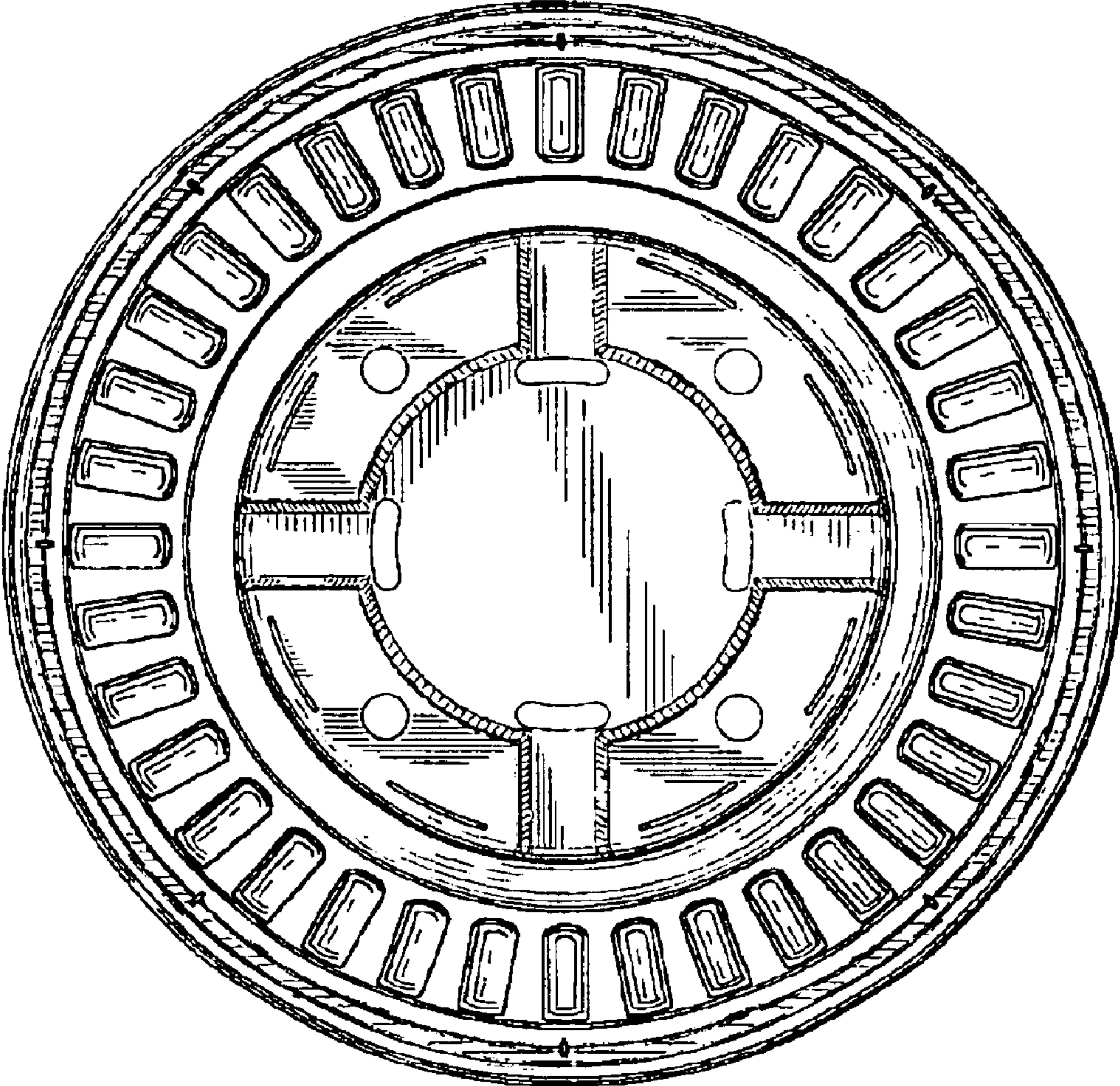


FIG.3

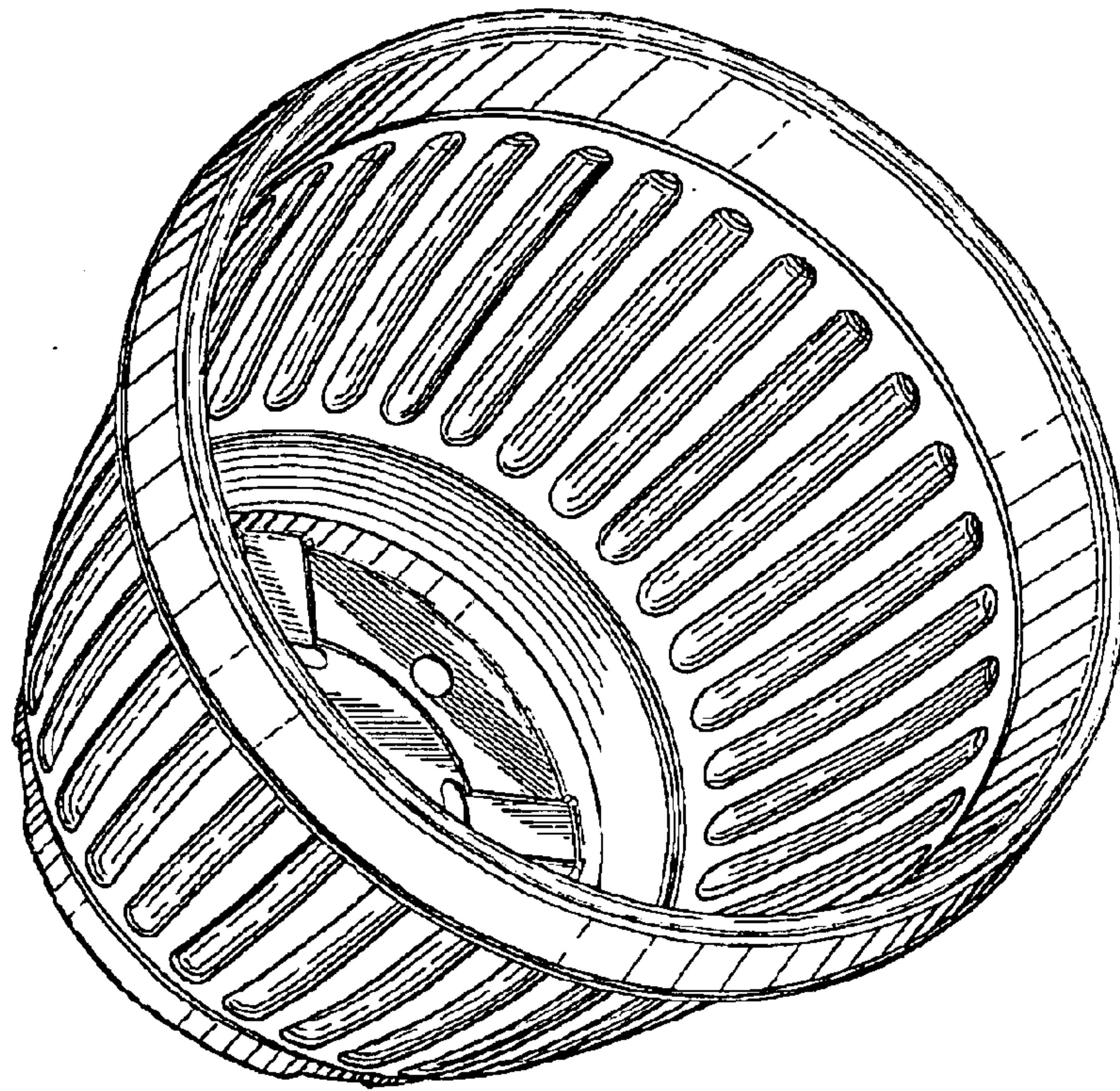


FIG. 4

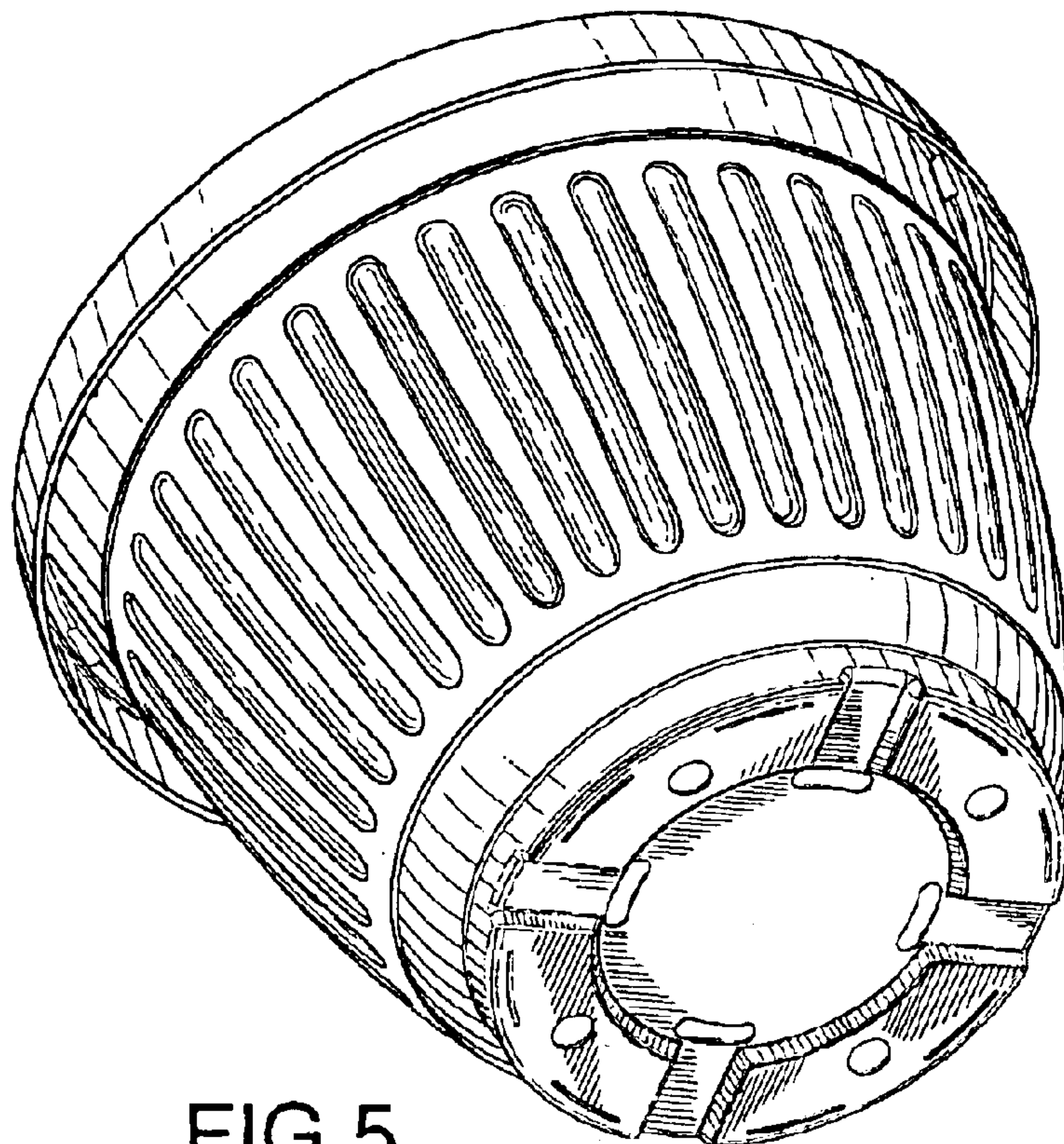


FIG. 5