

US00D505878S

(12) **United States Design Patent**  
**Zucchi**

(10) **Patent No.:** **US D505,878 S**  
(45) **Date of Patent:** **\*\* Jun. 7, 2005**

(54) **RING**

(75) **Inventor:** **Massimo Zucchi, Milan (IT)**

(73) **Assignee:** **Universal Pacific Diamonds & Jewelry, LLC, New York, NY (US)**

(\*\*) **Term:** **14 Years**

(21) **Appl. No.:** **29/192,491**

(22) **Filed:** **Oct. 24, 2003**

(51) **LOC (8) Cl.** ..... **11-01**

(52) **U.S. Cl.** ..... **D11/34**

(58) **Field of Search** ..... D11/26-39, 3-4,  
D11/89-92; 63/5.7-15.8, 15.9, 26, 27-28,  
3; 606/204

(56) **References Cited**

**U.S. PATENT DOCUMENTS**

D54,547 S	*	3/1920	Gilsey	.....	D11/34
1,428,158 A	*	9/1922	Fuermann	.....	63/15
1,560,414 A	*	11/1925	De Haan	.....	D11/89
1,822,392 A	*	9/1931	Esterman et al.	.....	63/15.4
2,102,746 A	*	12/1937	Reilly	.....	D11/91
2,258,413 A	*	10/1941	Koven	.....	63/15
2,419,520 A	*	4/1947	Tessler	.....	63/28
D199,363 S	*	10/1964	Katz	.....	D11/89
D262,197 S	*	12/1981	Barr	.....	D11/34
D292,560 S	*	11/1987	Di Maria et al.	.....	D11/27

D329,992 S	*	10/1992	Dostourian	.....	D11/34
D363,452 S	*	10/1995	Morelli	.....	D11/34
D379,329 S	*	5/1997	Pandel	.....	D11/34
D383,085 S	*	9/1997	Nyqvist	.....	D11/86
D386,438 S	*	11/1997	Itzkowitz	.....	D11/34
D409,518 S	*	5/1999	Ho	.....	D11/91
D466,828 S	*	12/2002	Pinto	.....	D11/91
D480,659 S	*	10/2003	Pachauer	.....	D11/91
D485,509 S	*	1/2004	Shagalov	.....	D11/91
D491,834 S	*	6/2004	Flynn	.....	D11/26
6,766,659 B1	*	7/2004	Varga	.....	63/15
D498,699 S	*	11/2004	Shagalov	.....	D11/91

\* cited by examiner

*Primary Examiner*—Cathy Anne MacCormac

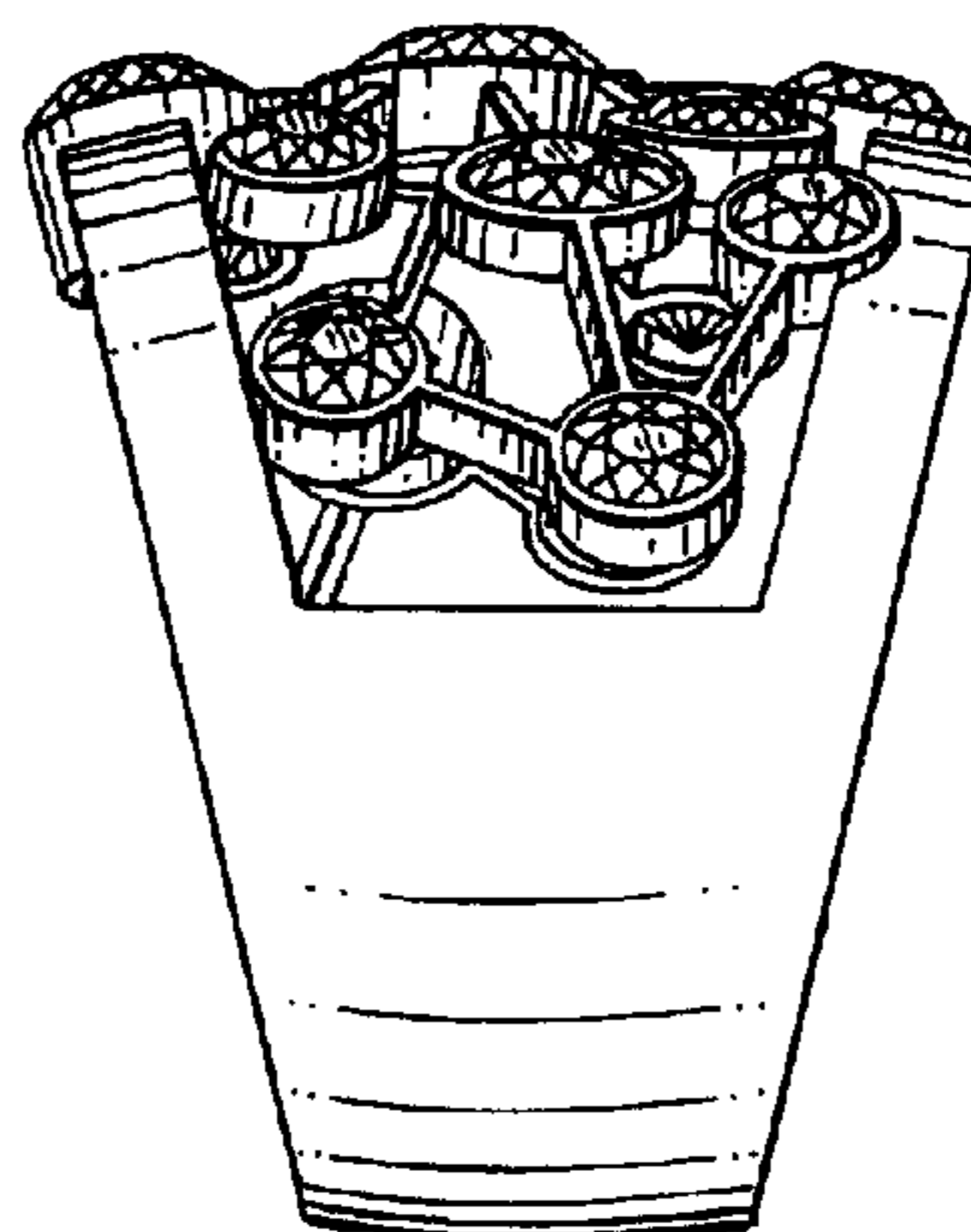
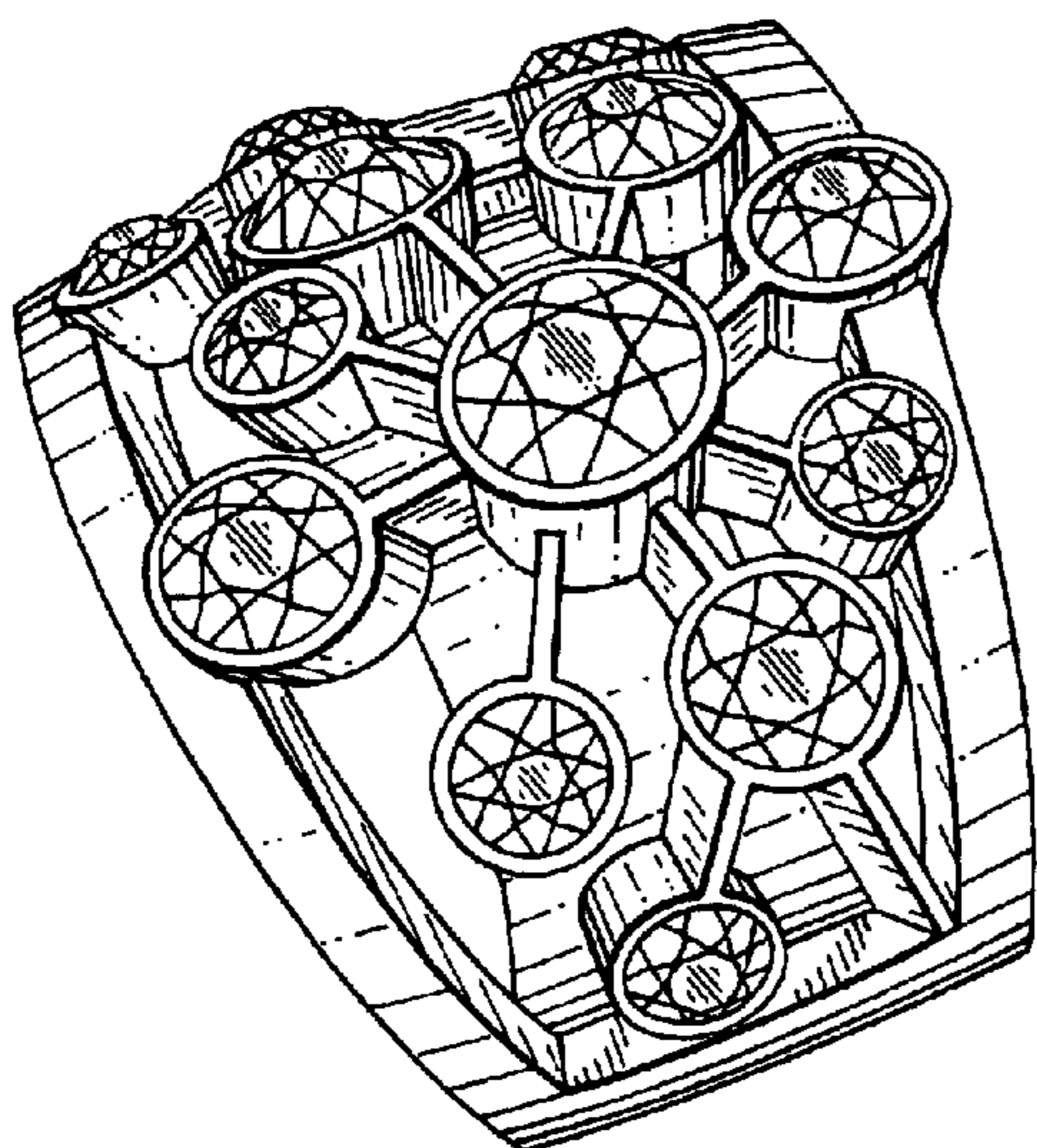
(57) **CLAIM**

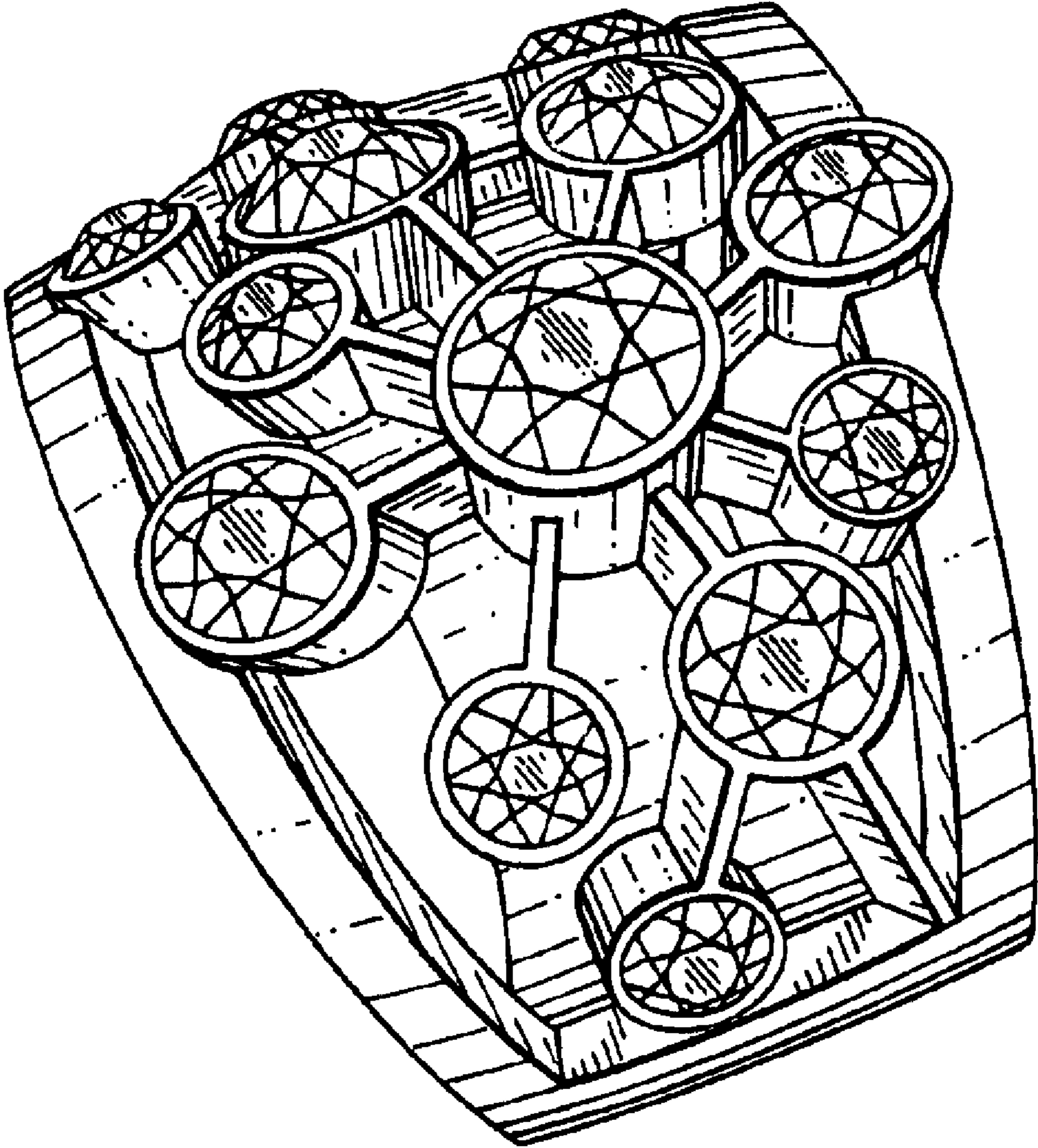
I claim the ornamental design for a ring, as shown and described.

**DESCRIPTION**

FIG. 1 is a top, right perspective view of the new ornamental ring of the present invention;  
FIG. 2 is a top view thereof;  
FIG. 3 is a front view thereof;  
FIG. 4 is a right side view thereof;  
FIG. 5 is a rear view thereof;  
FIG. 6 is a left side view thereof; and,  
FIG. 7 is a bottom view thereof.

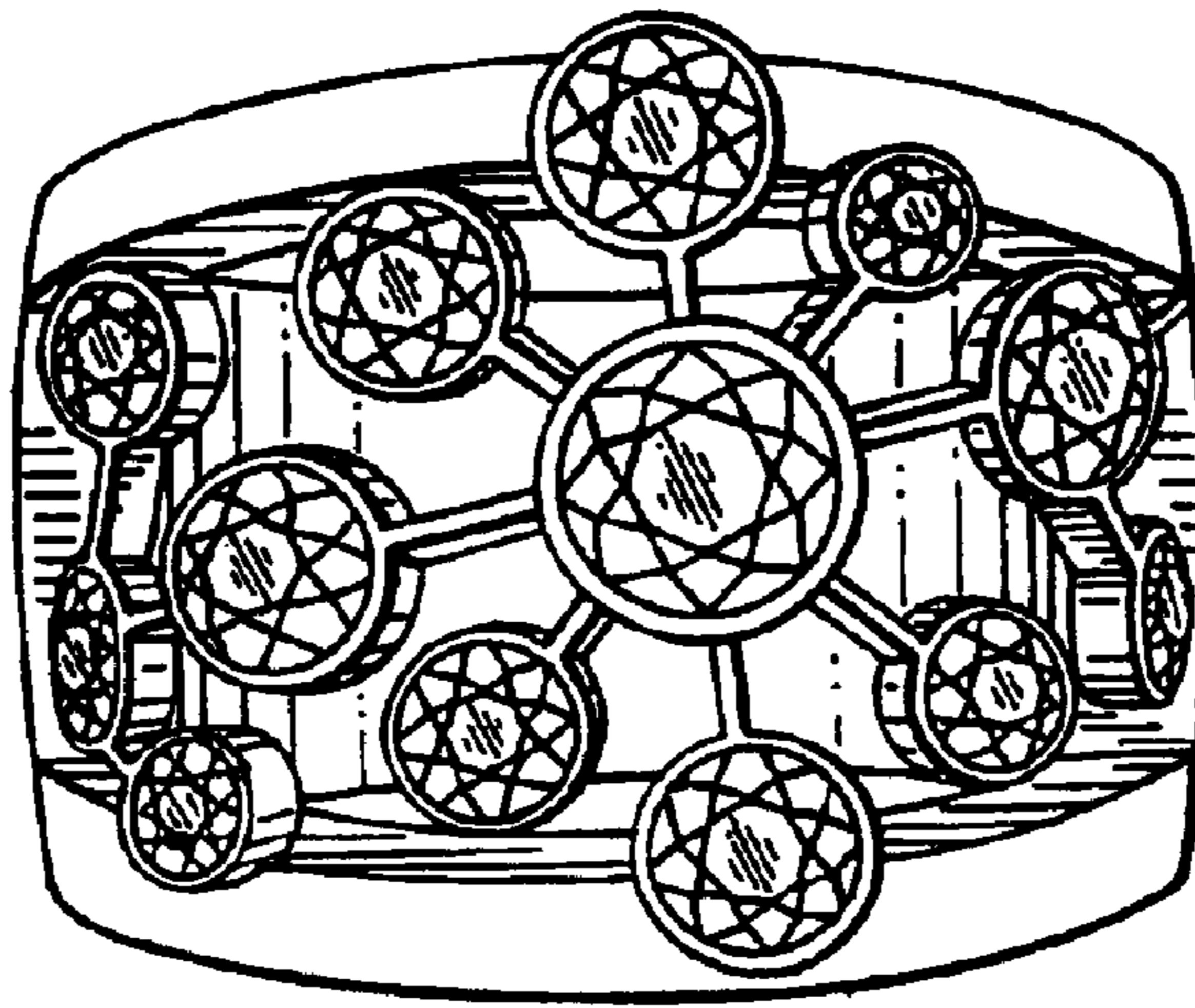
**1 Claim, 4 Drawing Sheets**



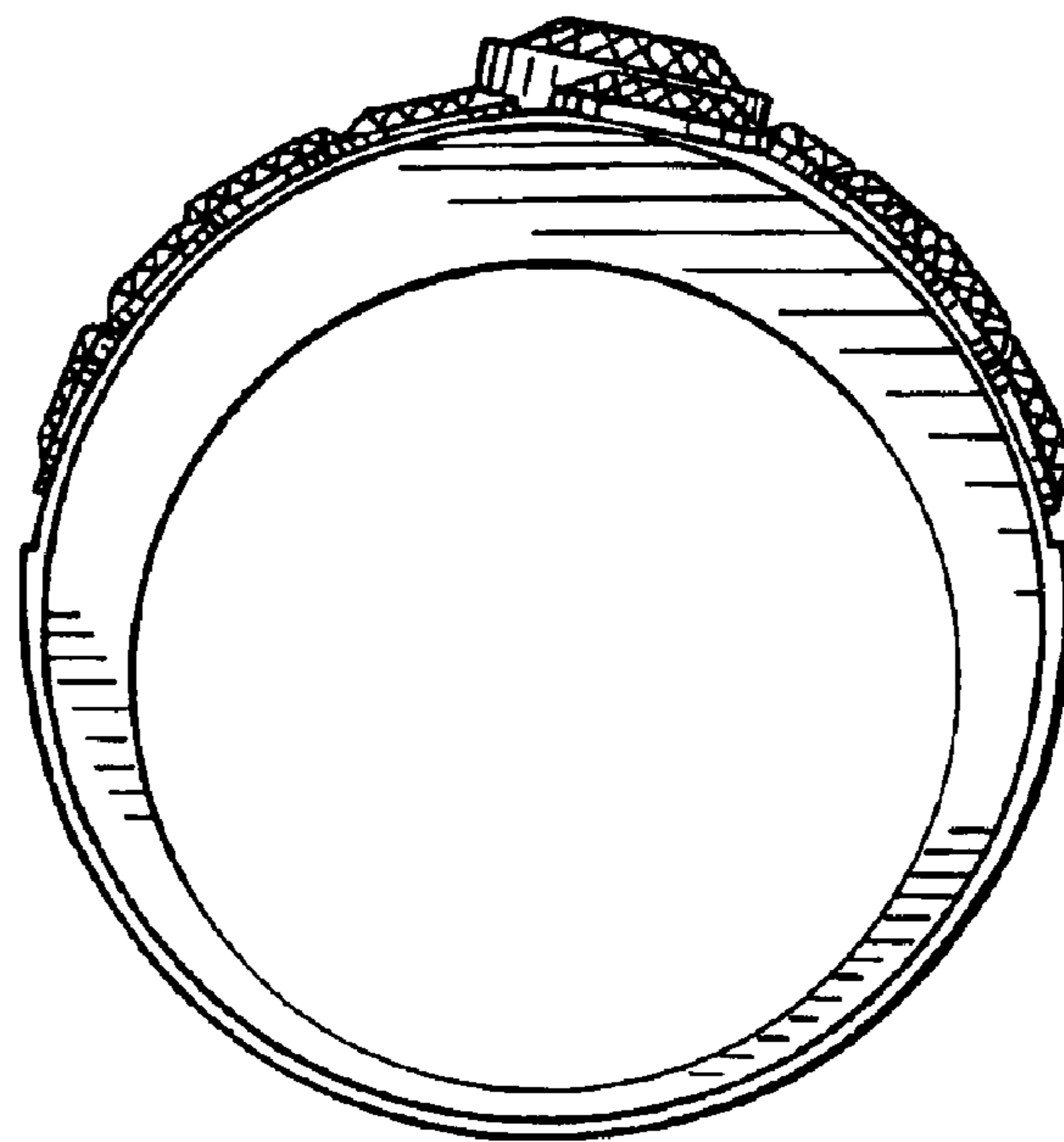


*FIG. 1*

*FIG. 2*



*FIG. 3*



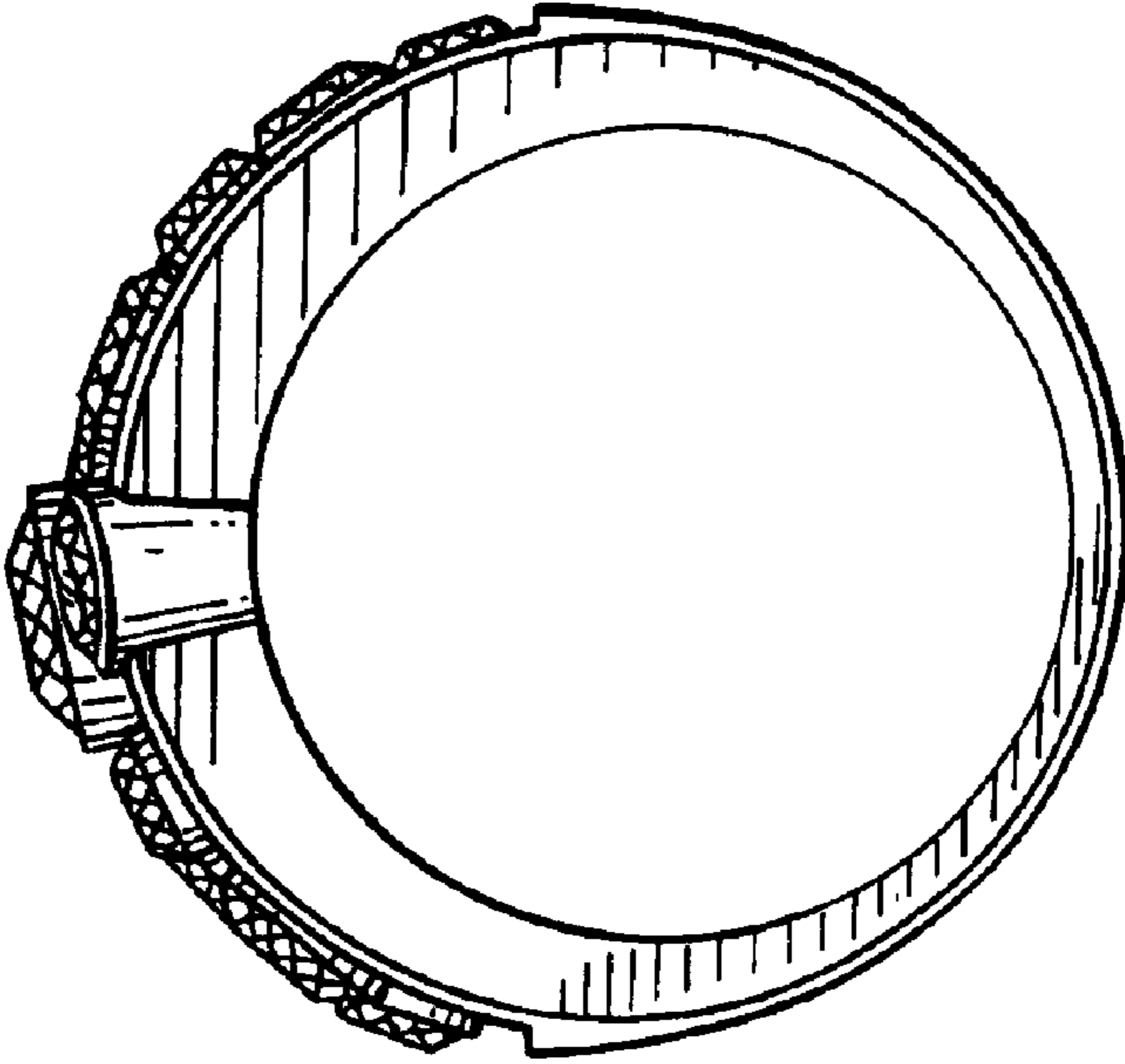
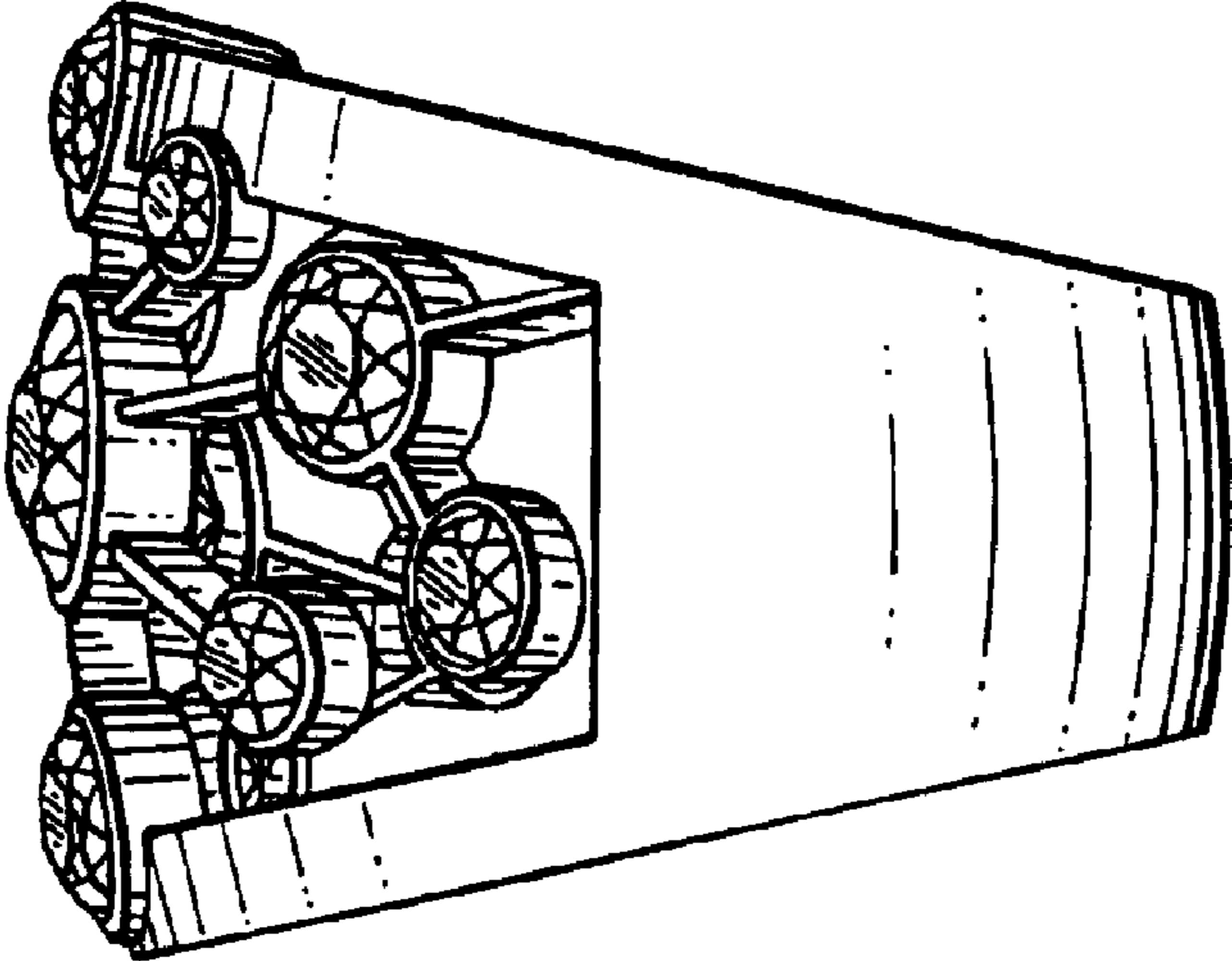
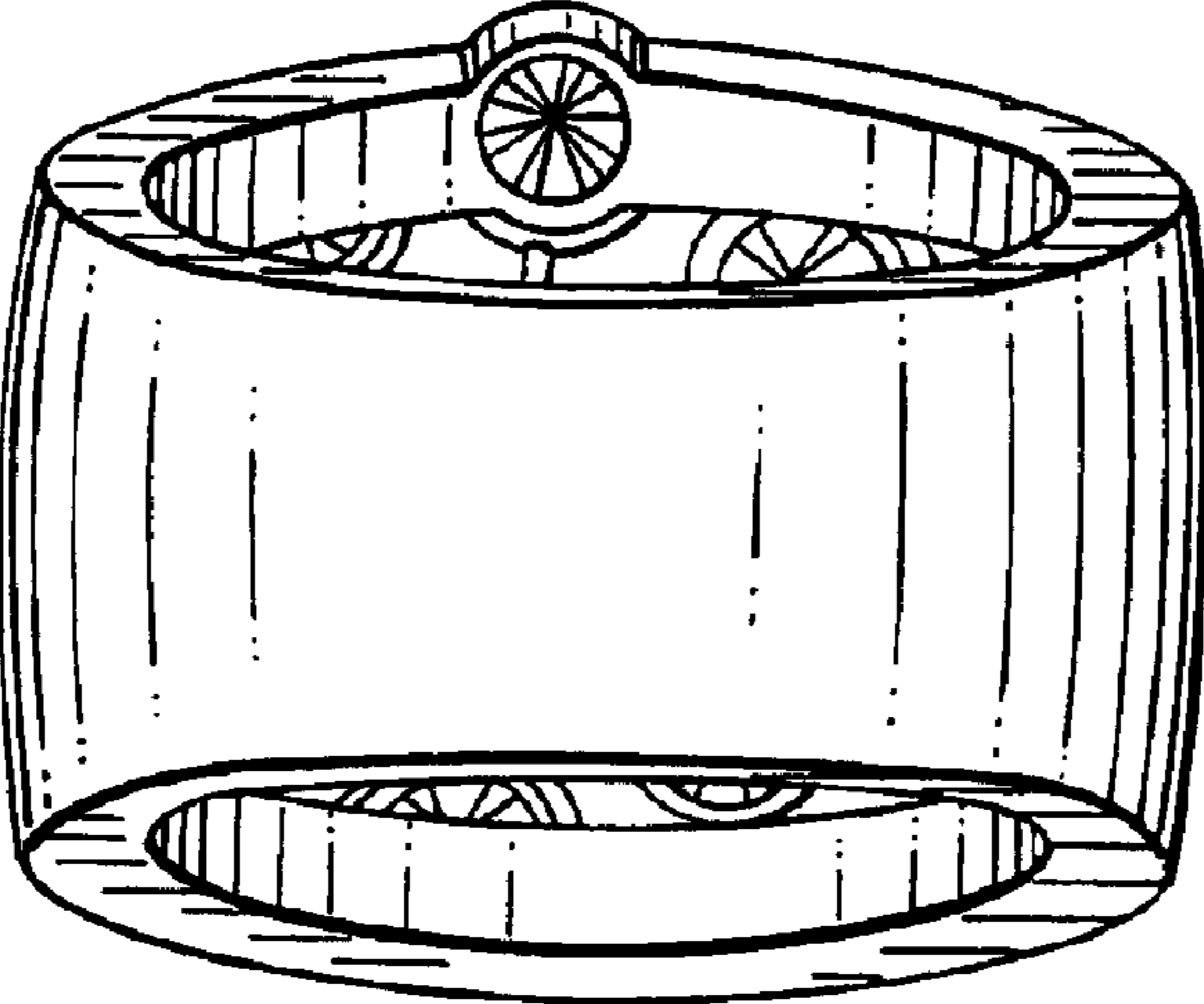
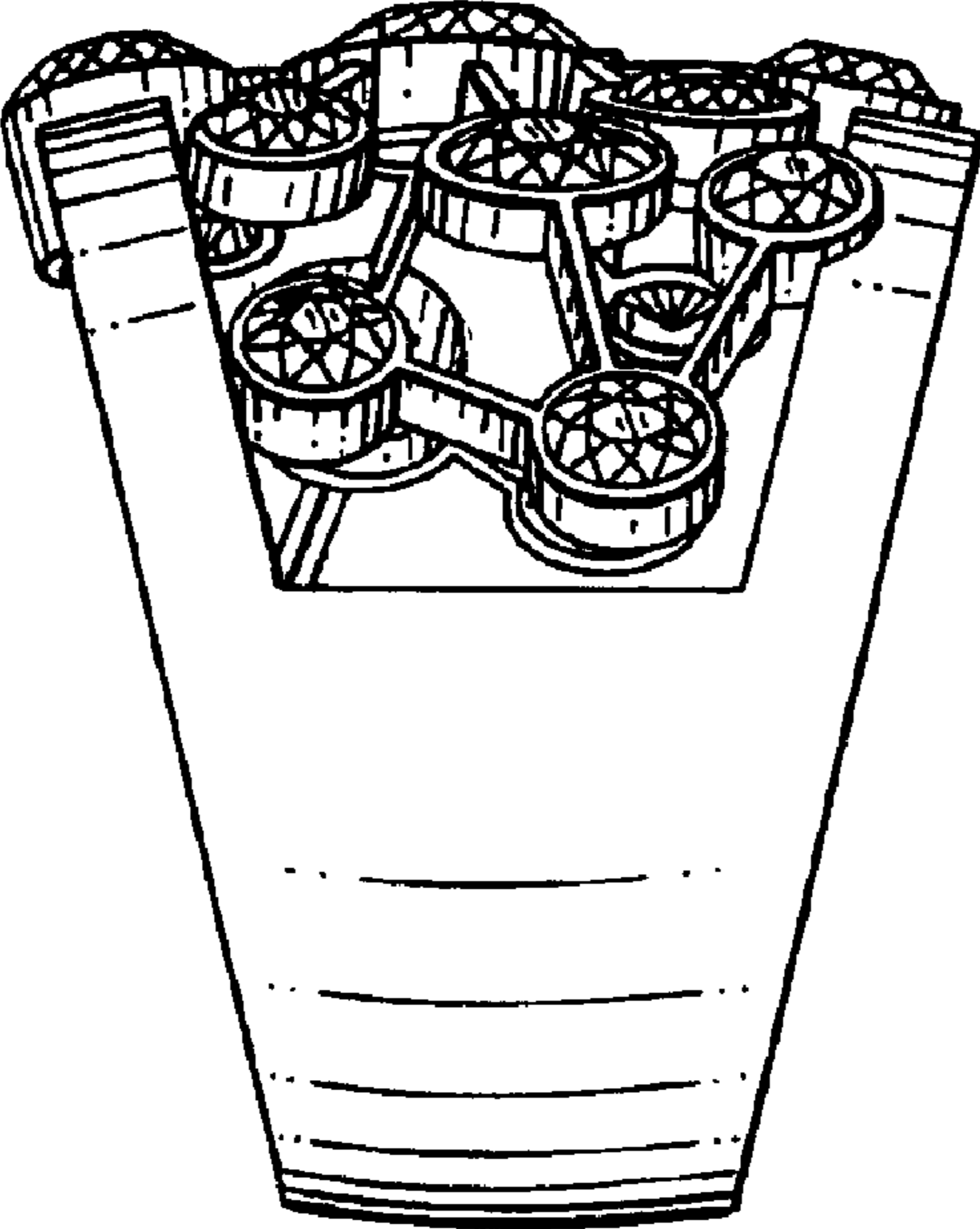


FIG. 5

FIG. 4



*FIG. 6*



*FIG. 7*