

US00D505876S

(12) **United States Design Patent**  
**Kaczmarek**

(10) **Patent No.:** **US D505,876 S**

(45) **Date of Patent:** **\*\* Jun. 7, 2005**

(54) **REMOTE INDICATOR**

(75) **Inventor:** **Wolfgang Kaczmarek, Schwindegg (DE)**

(73) **Assignee:** **BSH Bosch und Siemens Hausgeräte GmbH, Munich (DE)**

(\*\*) **Term:** **14 Years**

(21) **Appl. No.:** **29/183,269**

(22) **Filed:** **Jun. 9, 2003**

(51) **LOC (8) Cl.** ..... **10-05**

(52) **U.S. Cl.** ..... **D10/104; D10/40; D20/20; D26/26**

(58) **Field of Search** ..... D10/30-39, 40, D10/102-104; D20/20; D26/26; 368/10, 99-121, 280-282, 276-277, 285, 293-294; 340/679, 660, 533, 539.14, 585, 311.2

(56) **References Cited**

**U.S. PATENT DOCUMENTS**

D143,319 S	*	12/1945	Holley	.....	D10/129
D215,658 S	*	10/1969	Dolan	.....	D10/75
D294,180 S	*	2/1988	Johnson et al.	.....	D26/93
5,089,809 A	*	2/1992	Carmichael, Jr.	.....	340/679
5,140,564 A	*	8/1992	Rich	.....	368/107

5,357,487 A	*	10/1994	Coleman, III	.....	368/10
5,680,445 A	*	10/1997	Bogner et al.	.....	379/106.01
6,157,313 A	*	12/2000	Emmermann	.....	340/5.42
6,424,252 B1	*	7/2002	Adler	.....	340/311.2
6,636,458 B1	*	10/2003	Uptegraph	.....	368/88
6,784,801 B2	*	8/2004	Watanabe et al.	.....	340/679

\* cited by examiner

*Primary Examiner*—Nelson C. Holtje

(74) *Attorney, Agent, or Firm*—John T. Winburn; Russell W. Warnock; Craig J. Loest

(57) **CLAIM**

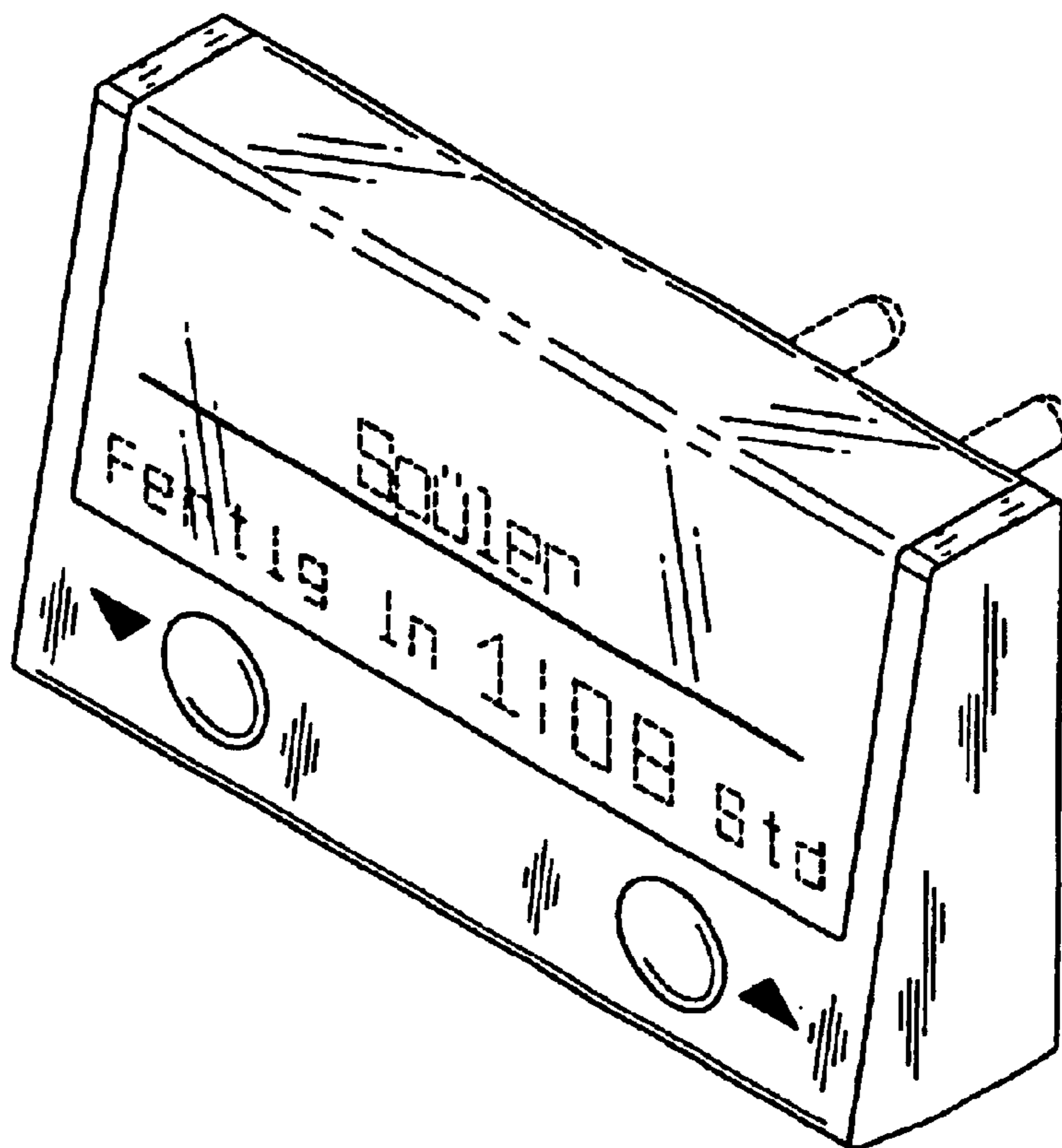
The ornamental design for a remote indicator, as shown and described.

**DESCRIPTION**

FIG. 1 is a front perspective view of the remote indicator; FIG. 2 is a rear perspective view thereof; FIG. 3 is a rear side view thereof; FIG. 4 is a bottom side view thereof; FIG. 5 is a top side view thereof; and, FIG. 6 is a left side view thereof, the right side view being a mirror image.

The broken line showings of indicia and plug ends are for illustrative purposes only and form no part of the claimed design.

**1 Claim, 3 Drawing Sheets**



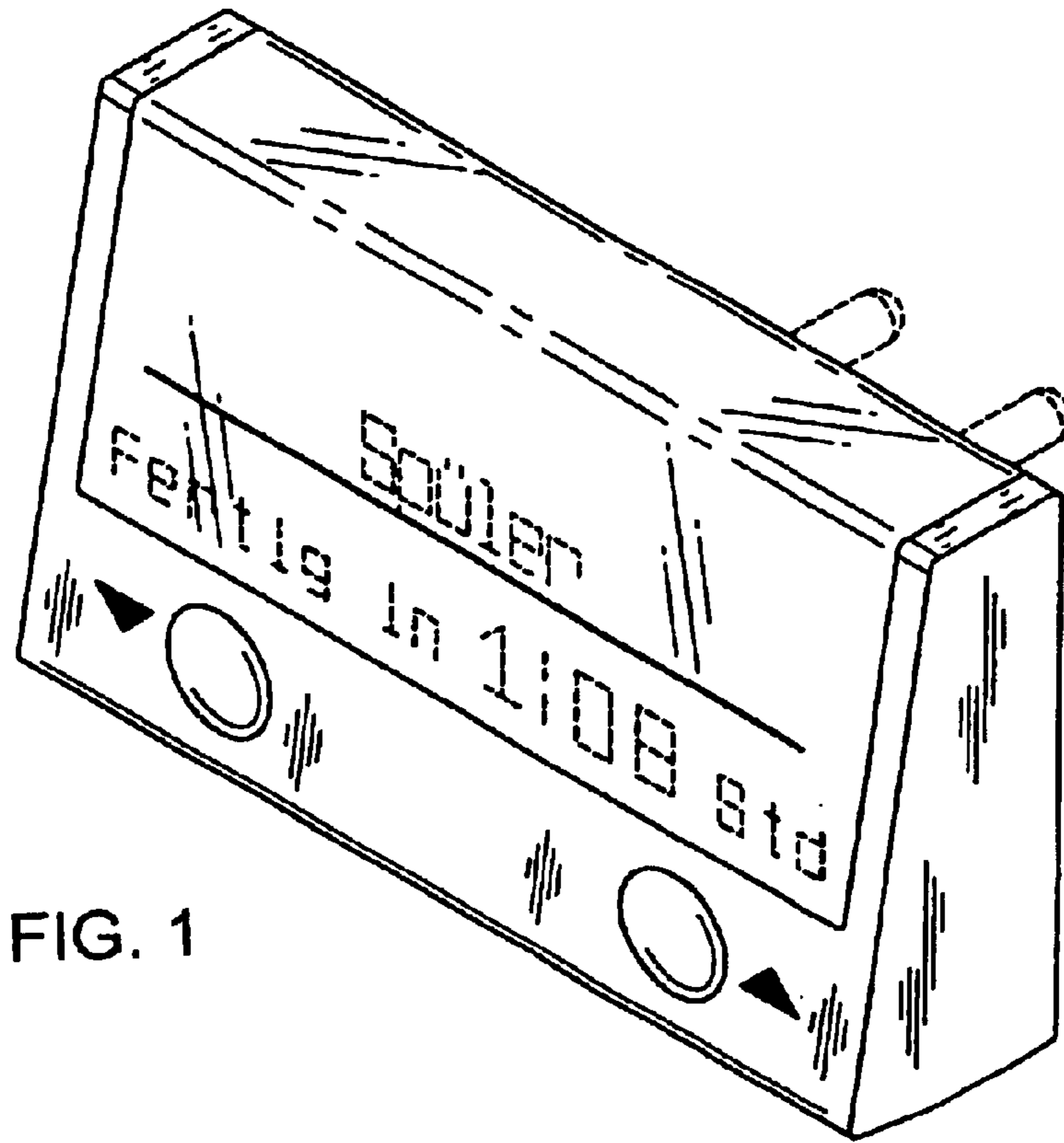


FIG. 1

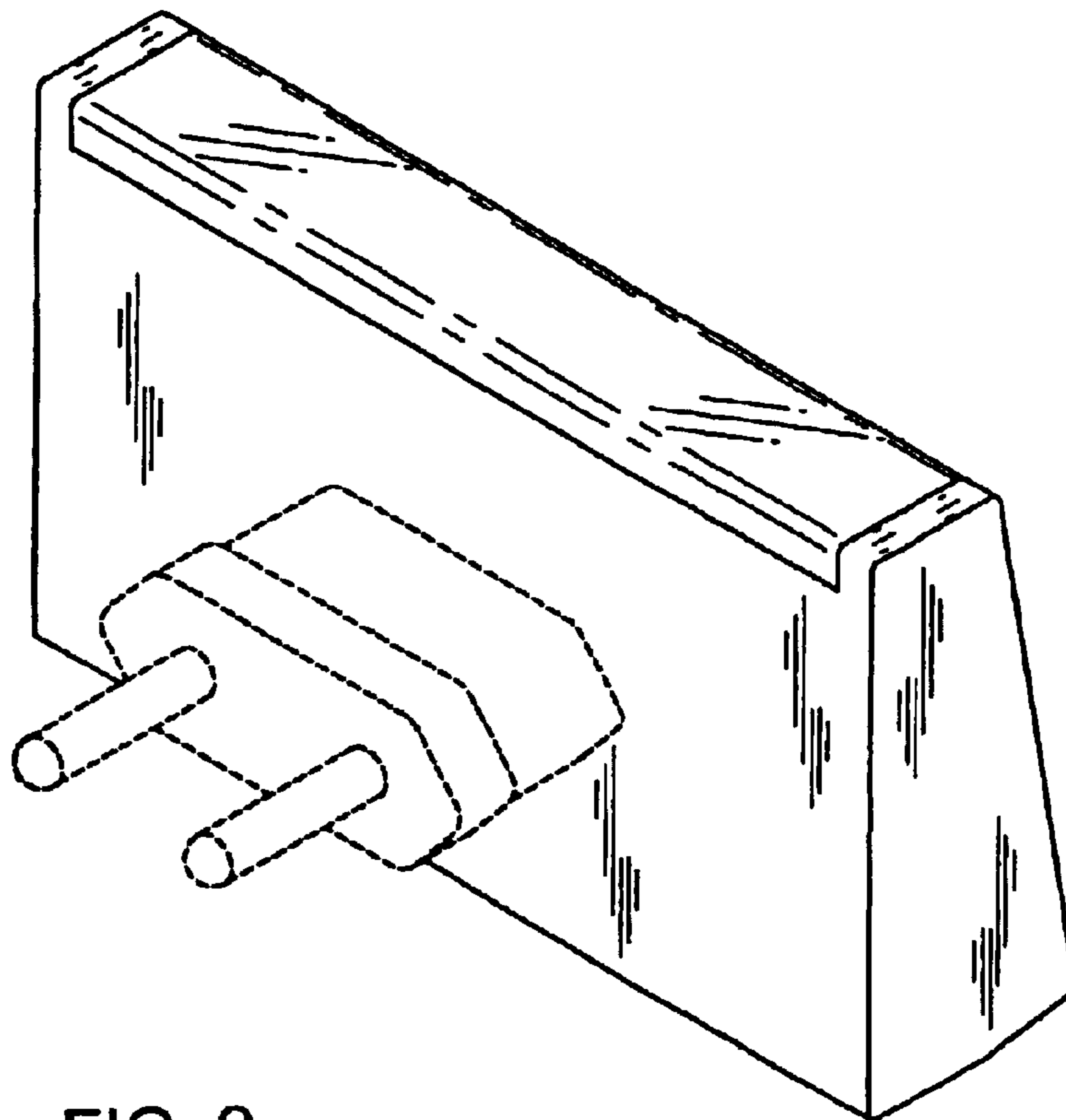


FIG. 2

FIG. 3

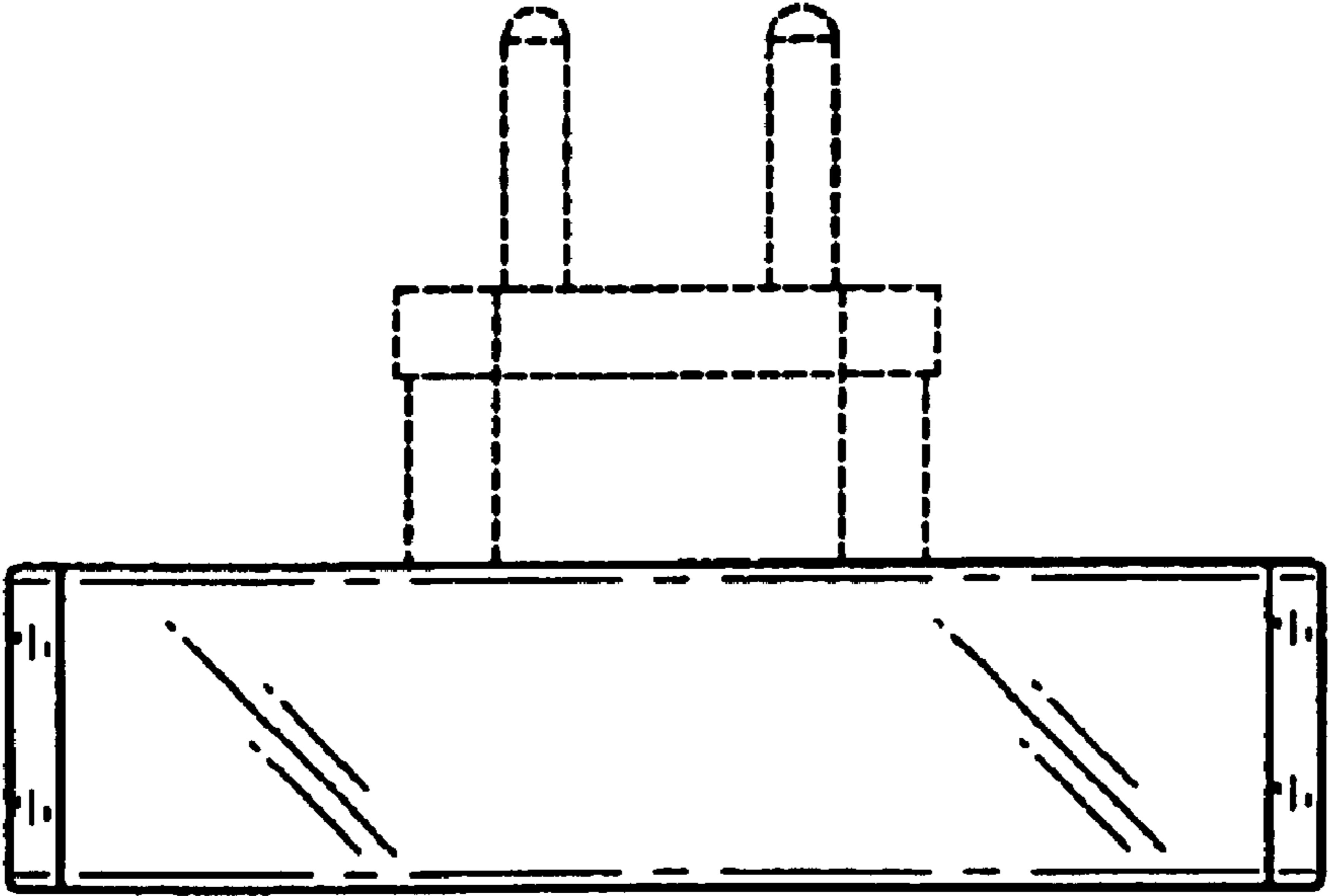
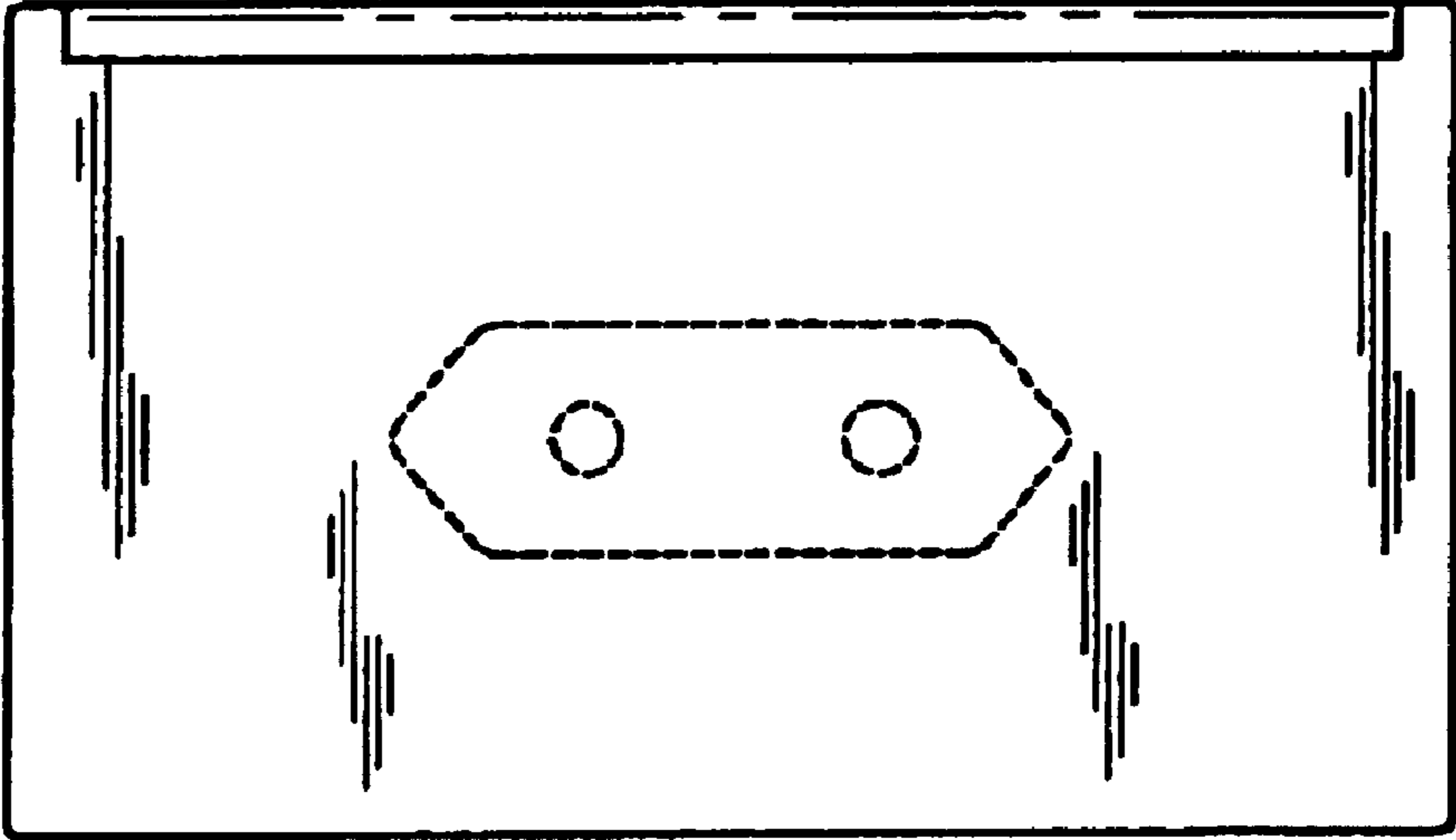


FIG. 4

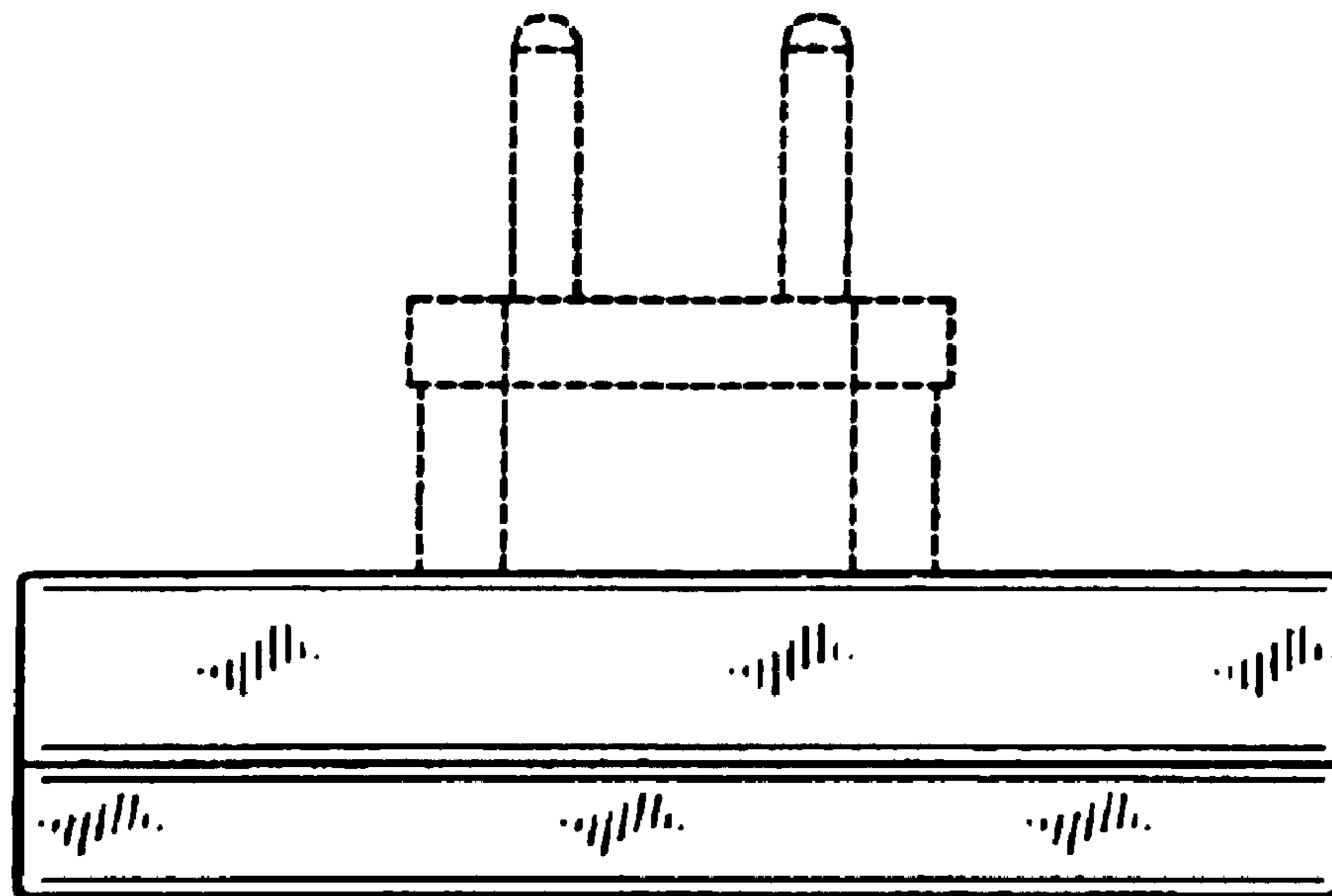


FIG. 5

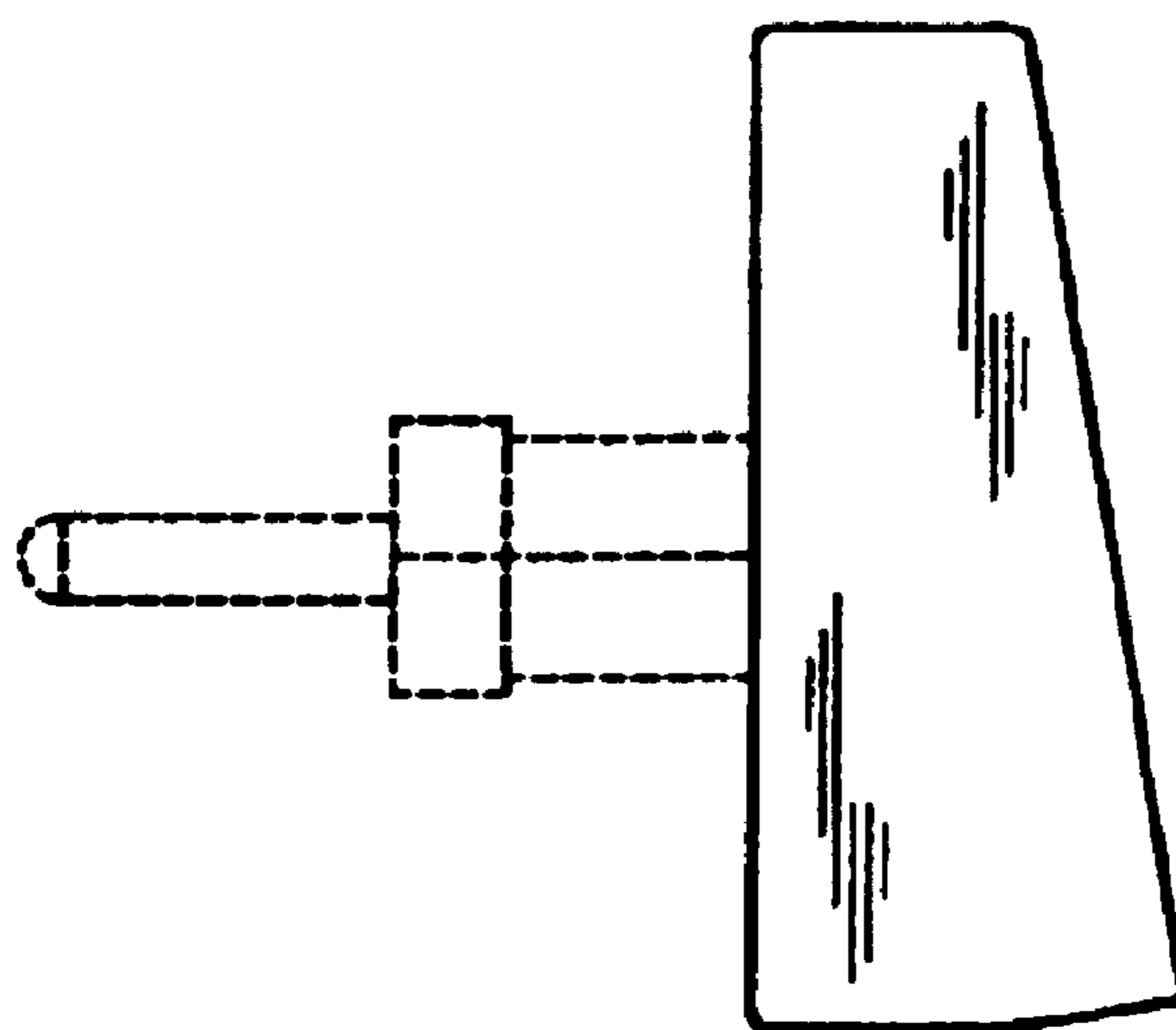


FIG. 6