



US00D505875S

(12) **United States Design Patent**
Okuda et al.

(10) **Patent No.:** **US D505,875 S**
(45) **Date of Patent:** **** Jun. 7, 2005**

(54) **SPEED DETECTOR FOR A BICYCLE**

(75) Inventors: **Yoji Okuda**, Tondabayashi (JP);
Toshiyuki Nagano, Takarazuka (JP)

(73) Assignee: **Cateye Co., Ltd.**, Osaka (JP)

(**) Term: **14 Years**

(21) Appl. No.: **29/199,659**

(22) Filed: **Feb. 18, 2004**

(30) **Foreign Application Priority Data**

Aug. 25, 2003 (JP) 2003-024441

(51) **LOC (8) Cl.** **10-04**

(52) **U.S. Cl.** **D10/98**

(58) **Field of Search** 10/98, 96, 97;
324/174, 160-180, 207.25, 207.22, 207.13;
702/145-148; 73/493, 527, 490, 514.39;
235/95 R; 340/432

(56) **References Cited**

U.S. PATENT DOCUMENTS

4,352,063 A * 9/1982 Jones et al. 324/171
4,642,606 A * 2/1987 Tsuyama 340/432

5,008,647 A * 4/1991 Brunt et al. 340/432
D327,446 S * 6/1992 Ueda D10/98
5,264,791 A * 11/1993 Takeda 324/174
D357,878 S * 5/1995 Tsushi D10/98
6,415,662 B1 * 7/2002 Huang 73/493

* cited by examiner

Primary Examiner—Lucy Lieberman

(74) *Attorney, Agent, or Firm*—Olson & Hierl, Ltd.

(57) **CLAIM**

The ornamental design for a speed detector for a bicycle, as shown.

DESCRIPTION

FIG. 1 is a left side view of a speed detector for a bicycle showing our new design;
FIG. 2 is a right side view thereof;
FIG. 3 is a front view thereof;
FIG. 4 is a rear view thereof;
FIG. 5 is a top plan view thereof;
FIG. 6 is a bottom plan view thereof;
FIG. 7 is a front perspective view; and,
FIG. 8 is a rear perspective view thereof.

1 Claim, 3 Drawing Sheets

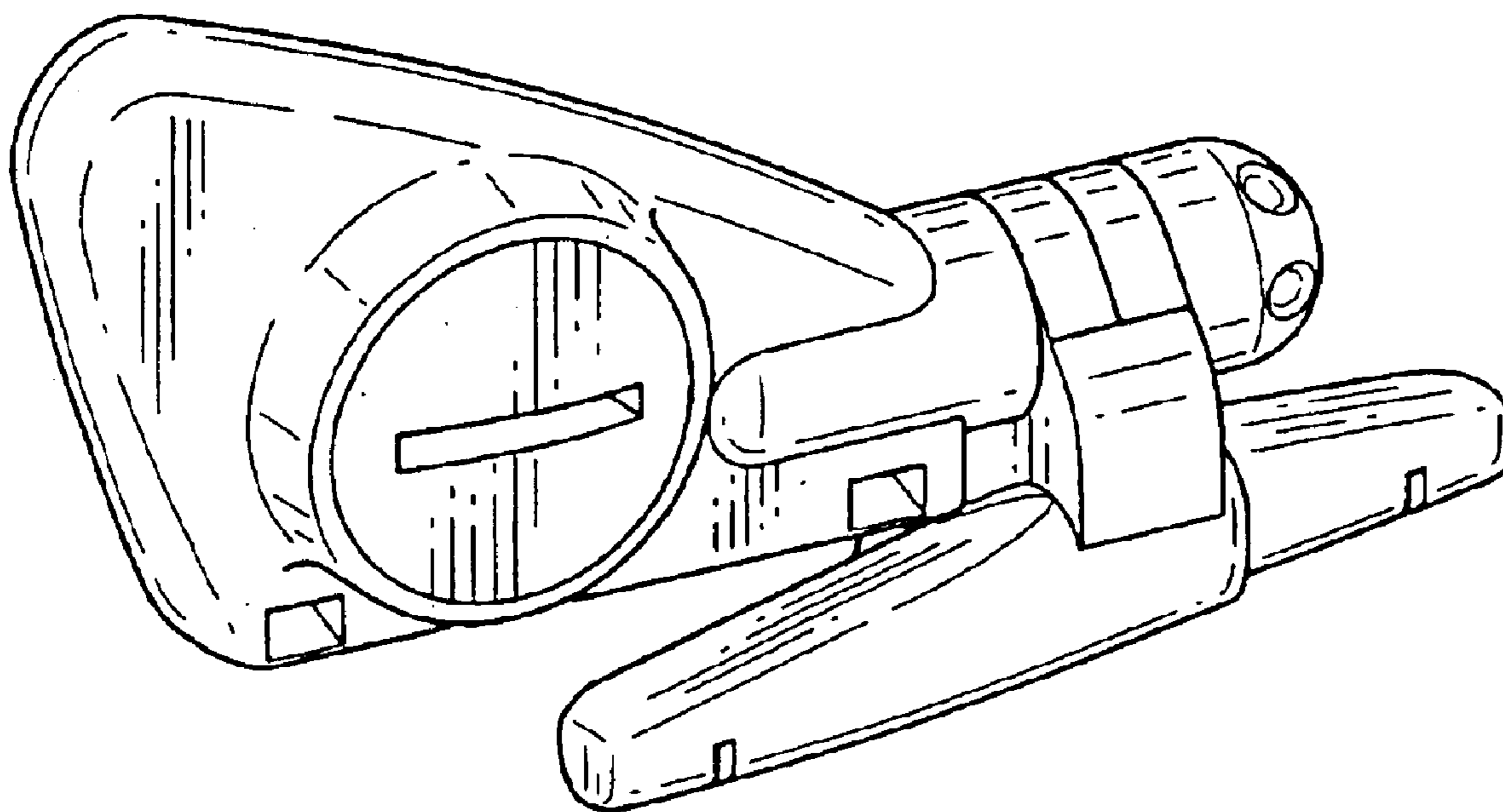


FIG. 1

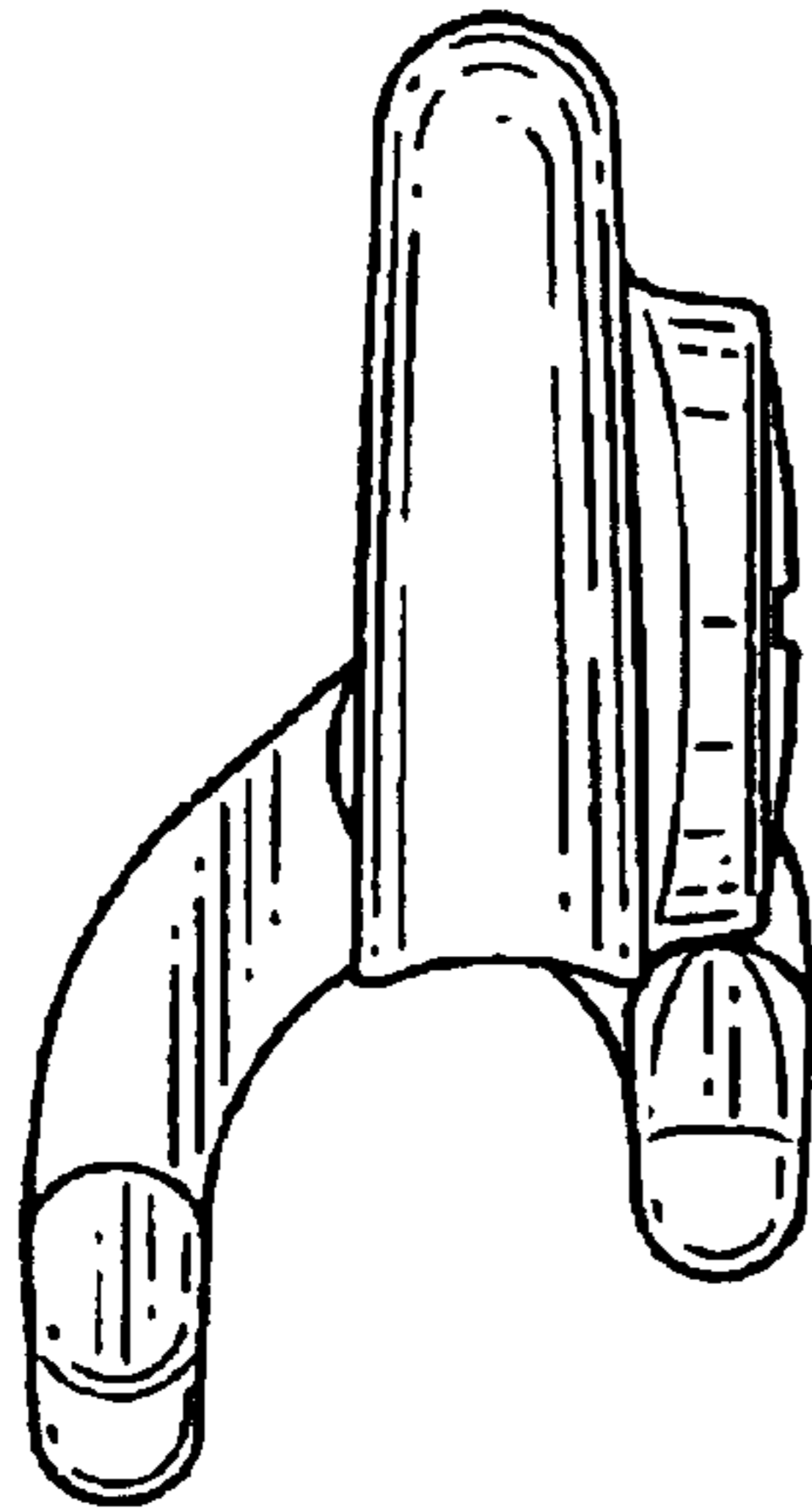


FIG. 2

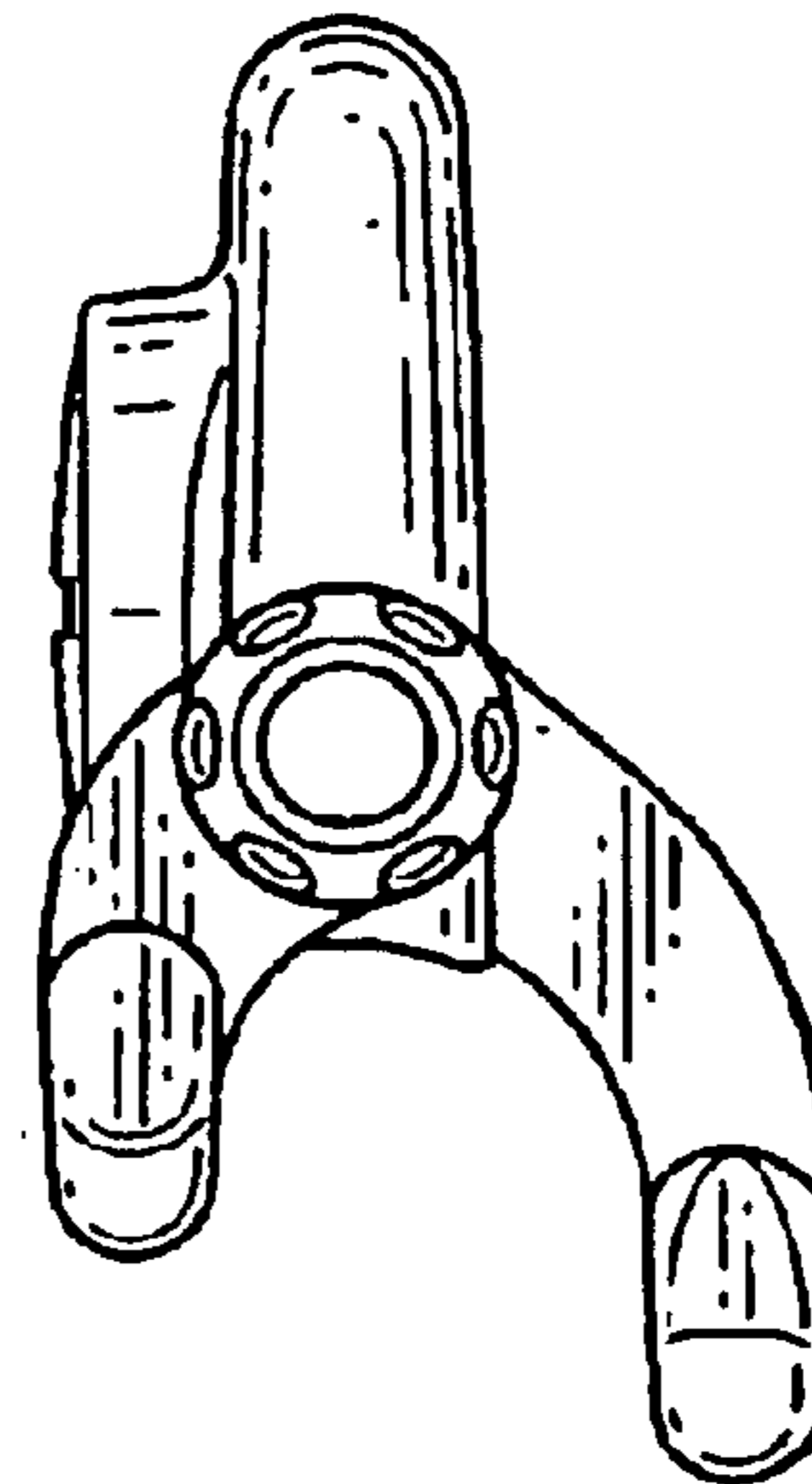


FIG. 3

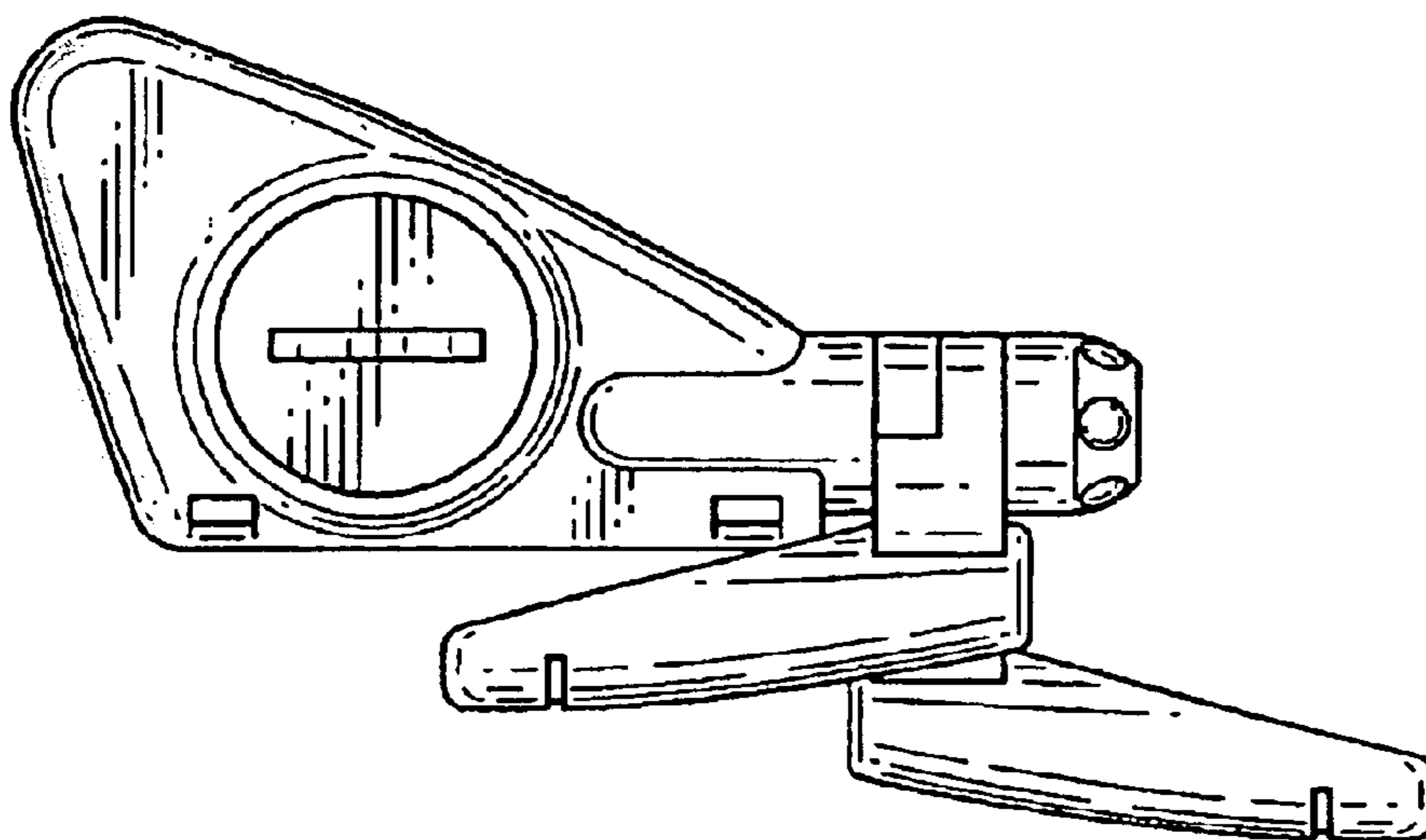


FIG. 4

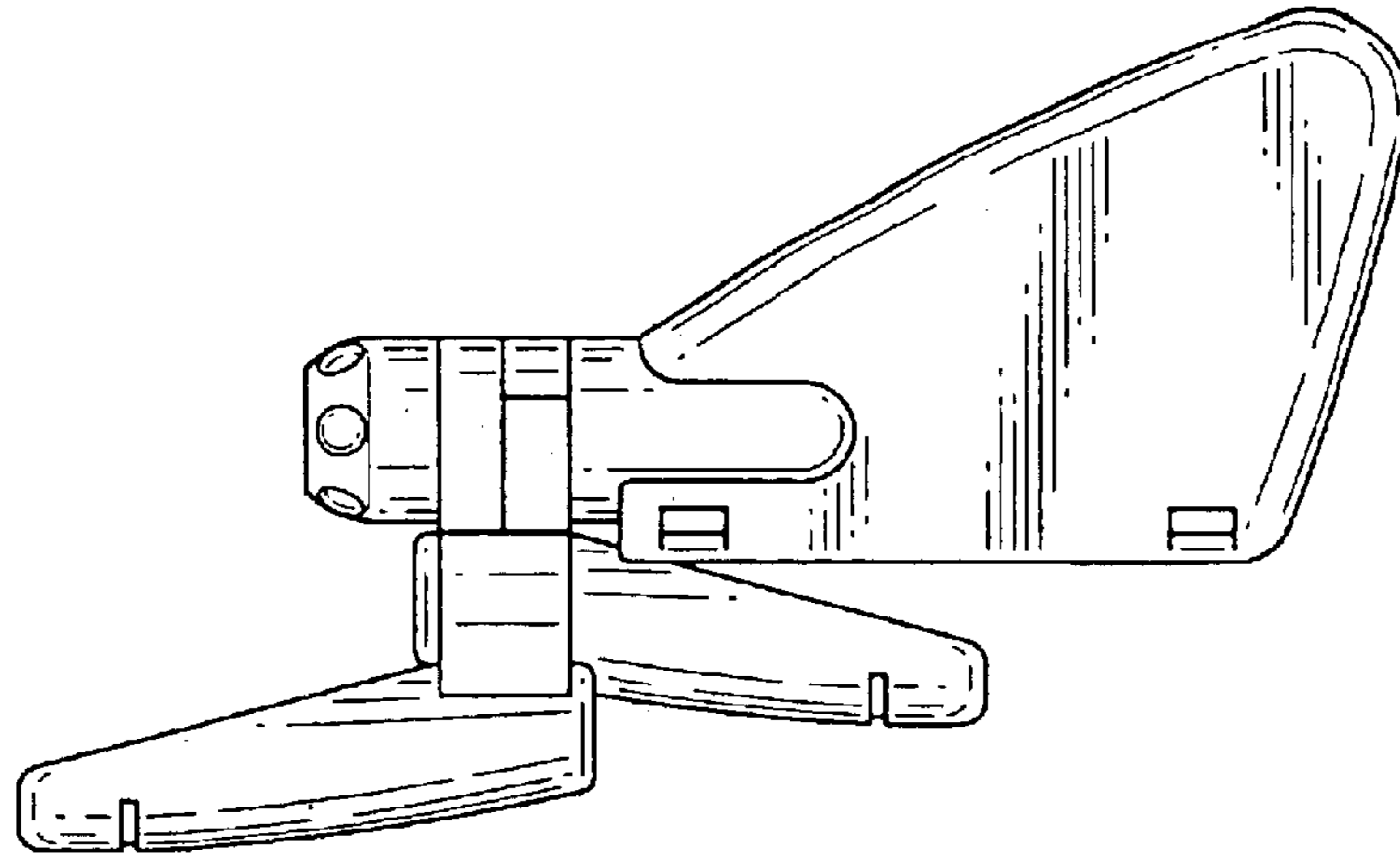


FIG. 5

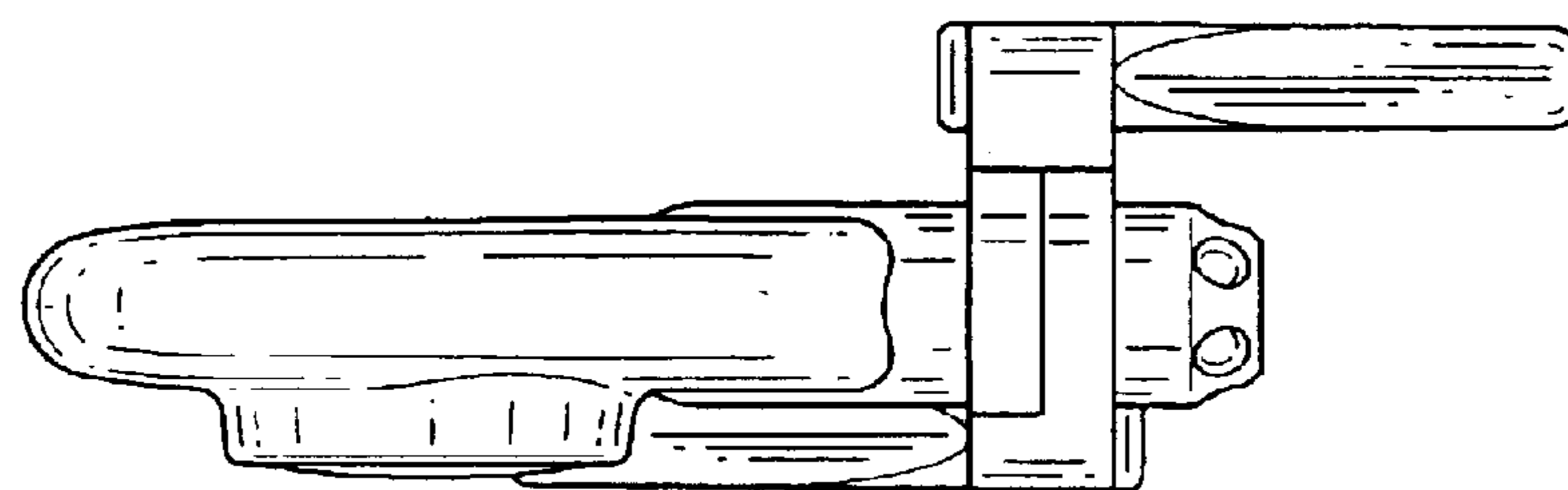


FIG. 6

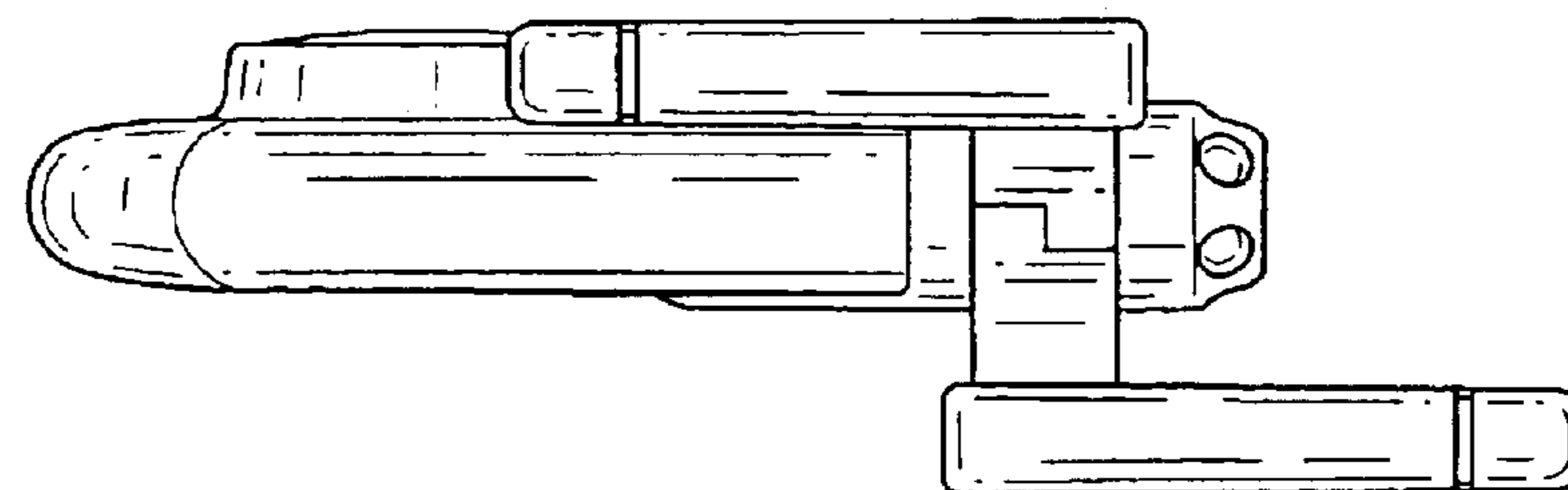


FIG. 7

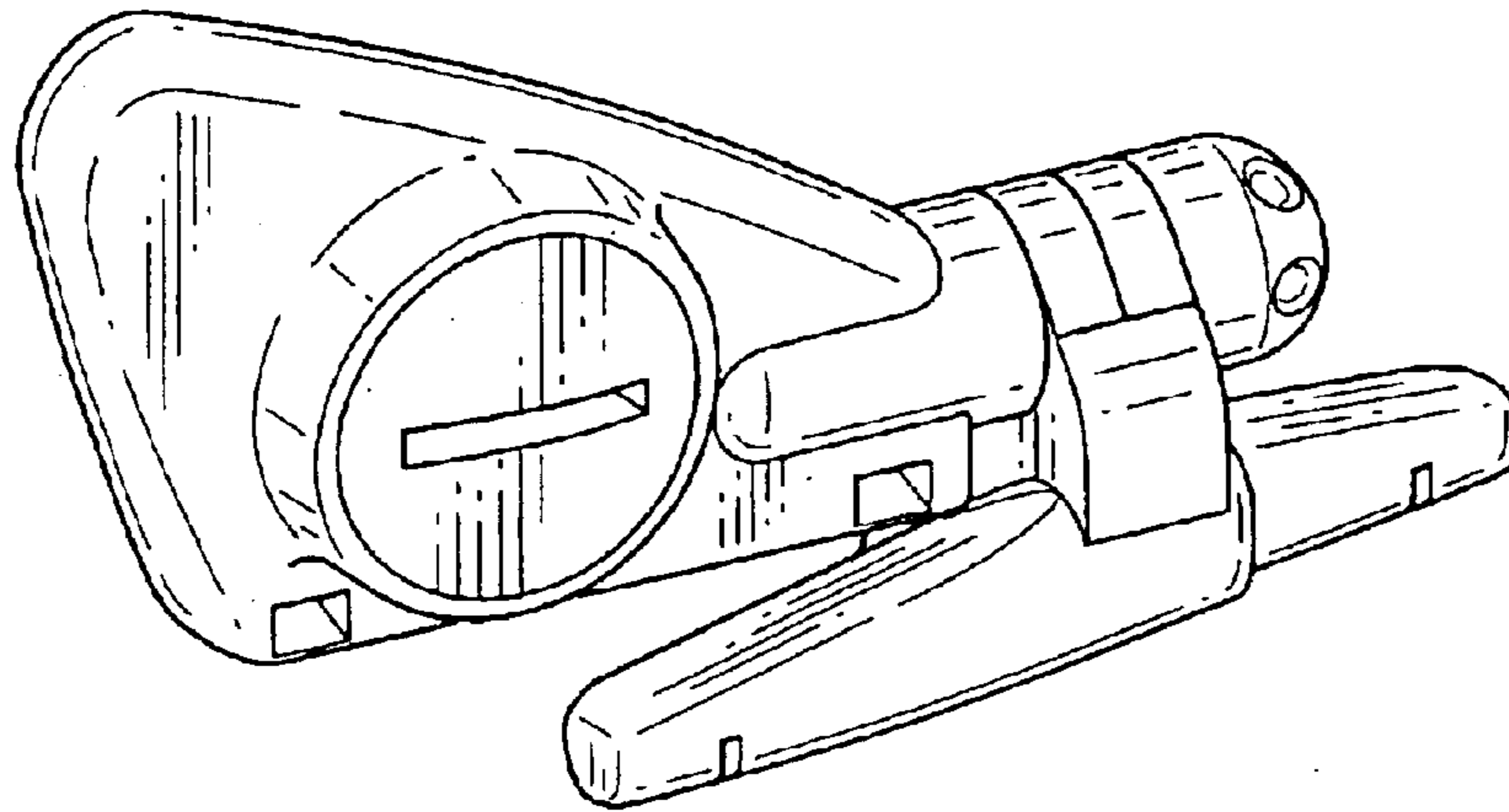


FIG. 8

