

US00D505873S

(12) **United States Design Patent**
Kesselman

(10) **Patent No.:** **US D505,873 S**

(45) **Date of Patent:** **** Jun. 7, 2005**

(54) **DIGITAL SCALE**

(76) **Inventor:** **Joshua D. Kesselman**, 2515 S. W. Marine Drive, Vancouver (CA), V6P 6C3

(**) **Term:** **14 Years**

(21) **Appl. No.:** **29/213,678**

(22) **Filed:** **Sep. 21, 2004**

(51) **LOC (8) Cl.** **10-04**

(52) **U.S. Cl.** **D10/91**

(58) **Field of Search** D10/91, 92; 177/126-127, 177/177-178, 210-210 R, 211, 212-213, 229, 238-245

(56) **References Cited**

U.S. PATENT DOCUMENTS

- D410,397 S * 6/1999 Kurata et al. D10/91
- D462,628 S * 9/2002 Day D10/91
- 6,781,068 B2 * 8/2004 Zahriya et al. 177/127

* cited by examiner

Primary Examiner—Antoine D. Davis

(74) *Attorney, Agent, or Firm*—Christine Q. McLeod; Beuesse, Brownlee, Wolter, Mora & Maire

(57) **CLAIM**

The ornamental design for a digital scale, as shown and described.

DESCRIPTION

FIG. 1 is a front perspective view of a digital scale hereof in an open position;

FIG. 2 is a front perspective view of a digital scale hereof in a closed position;

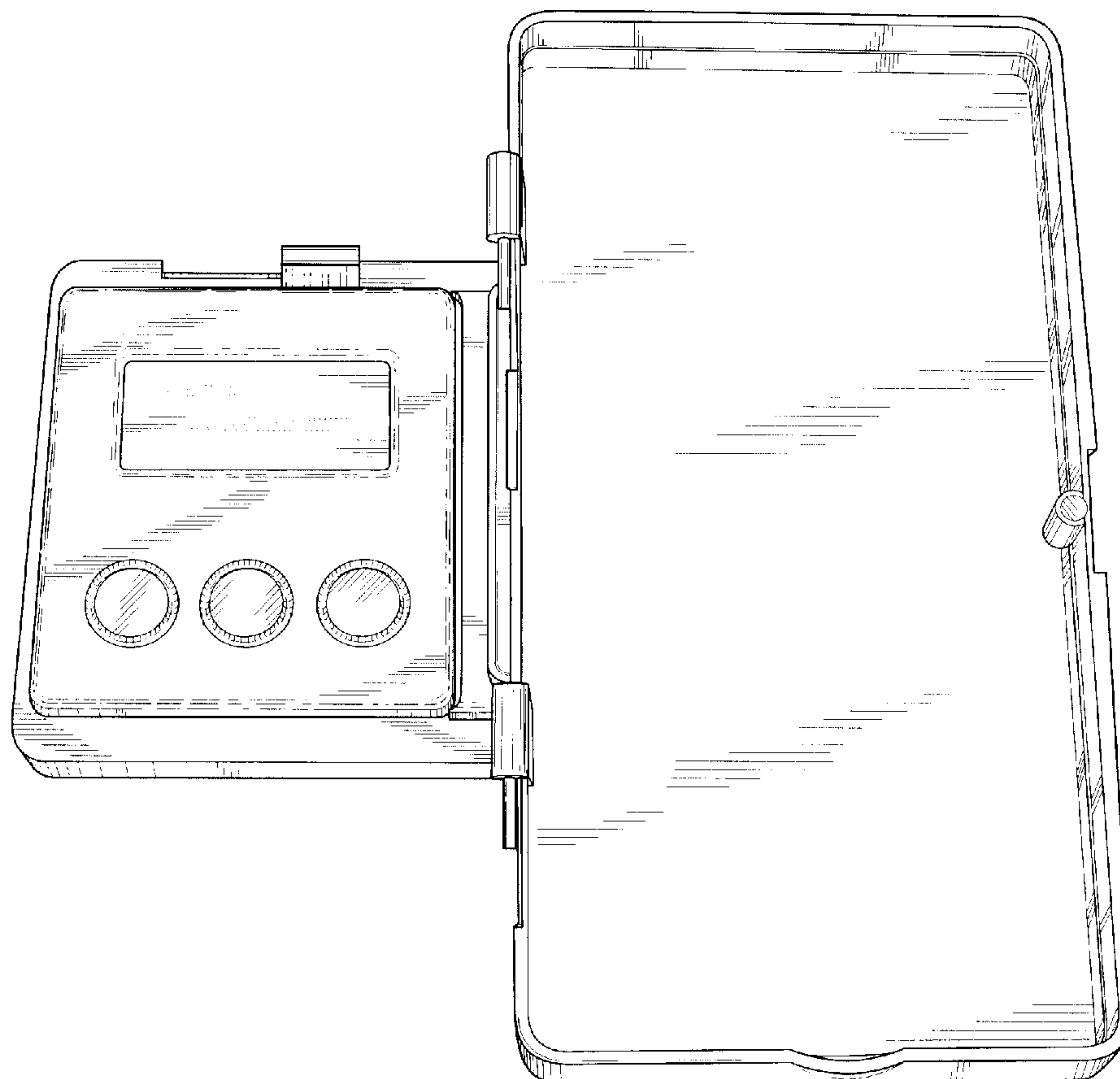
FIG. 3 is a left side perspective view of a digital scale hereof in an open position;

FIG. 4 is a top plan view of a digital scale hereof in an open position;

FIG. 5 is a top plan view of a digital scale hereof in an open position with the top separated from the body of the scale; and,

FIG. 6 is a front perspective view of a digital scale hereof in an open position showing the top placed on top the body of the scale as a tray.

1 Claim, 6 Drawing Sheets



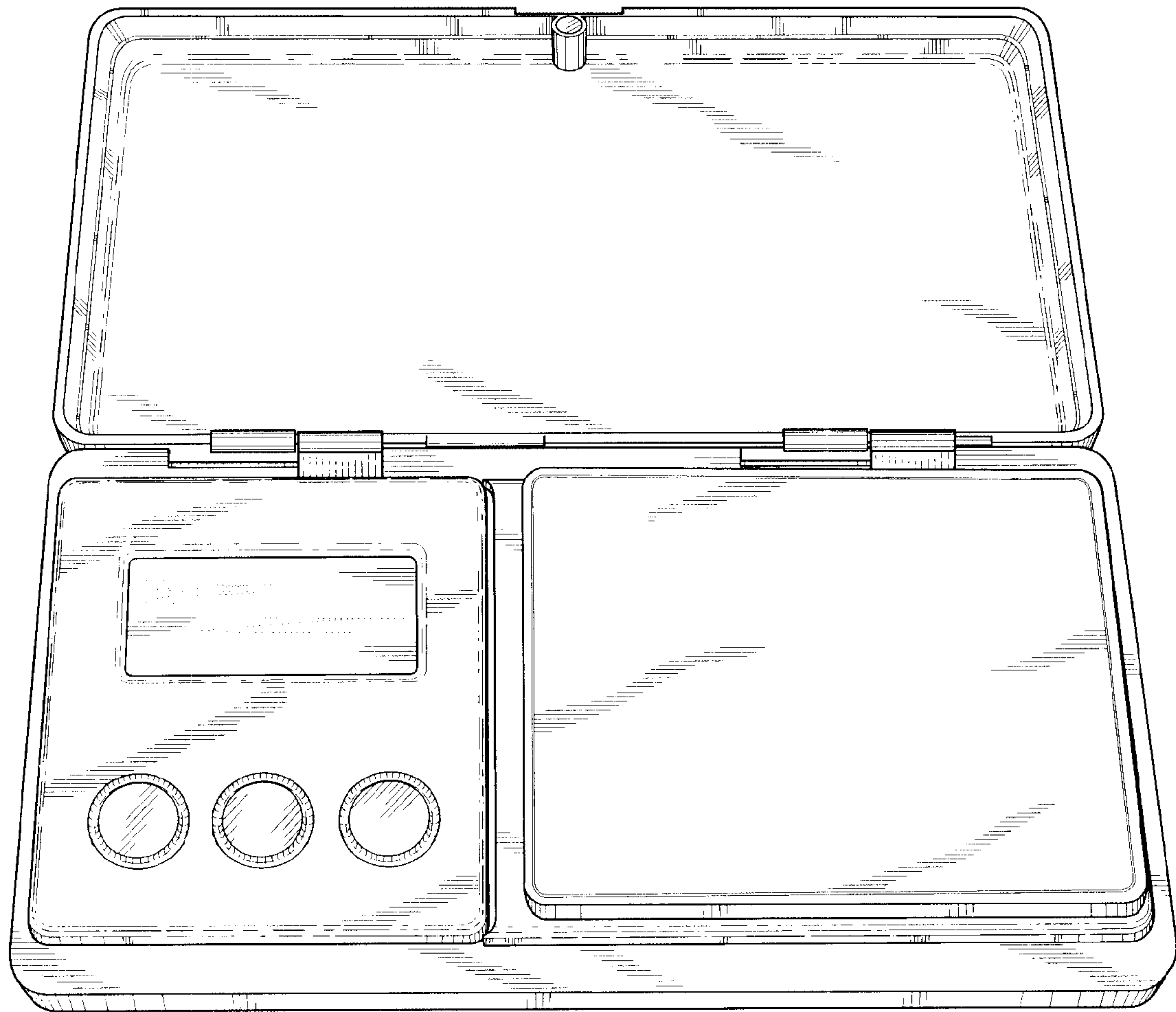


Fig. 1

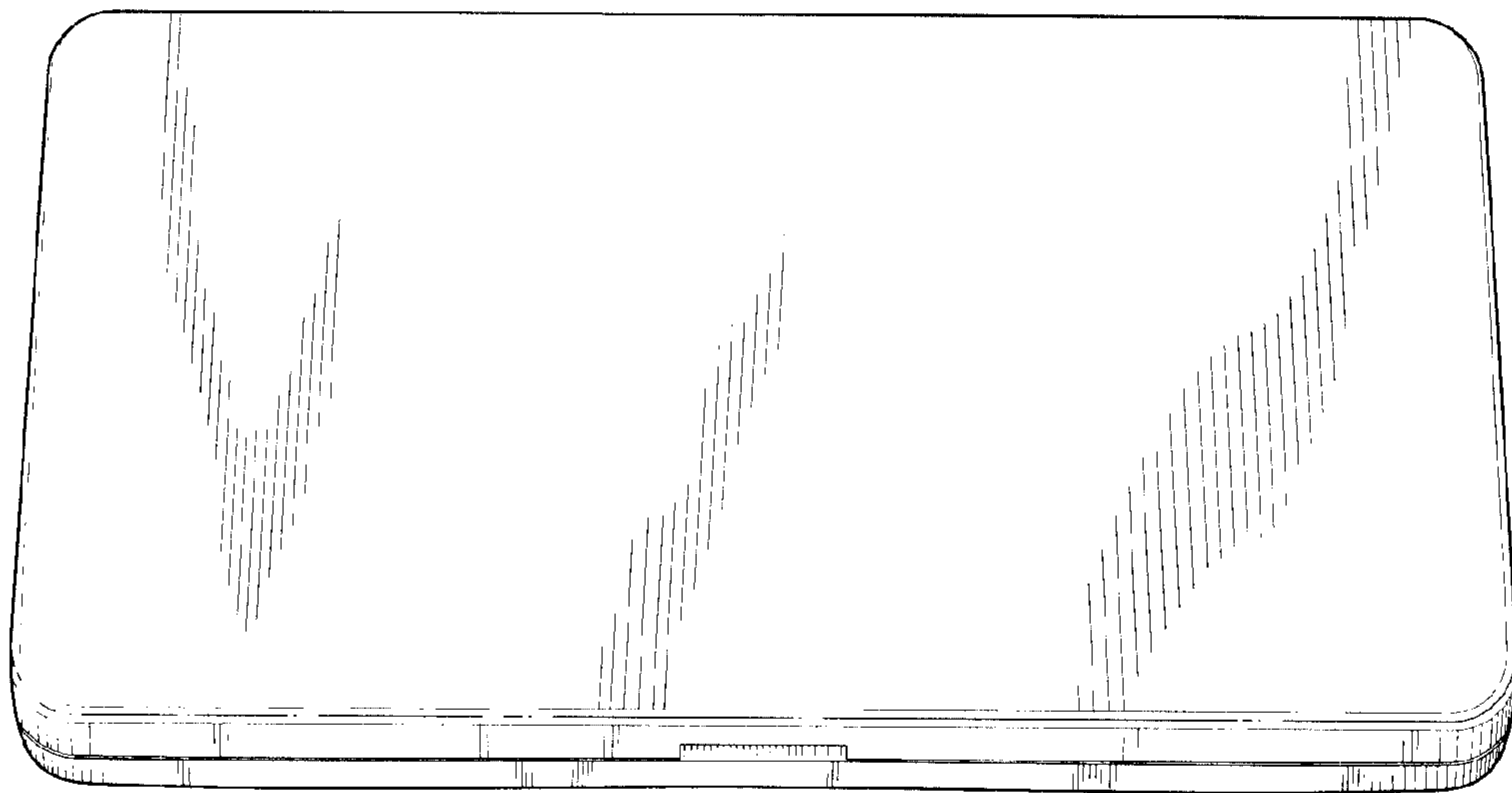


Fig. 2

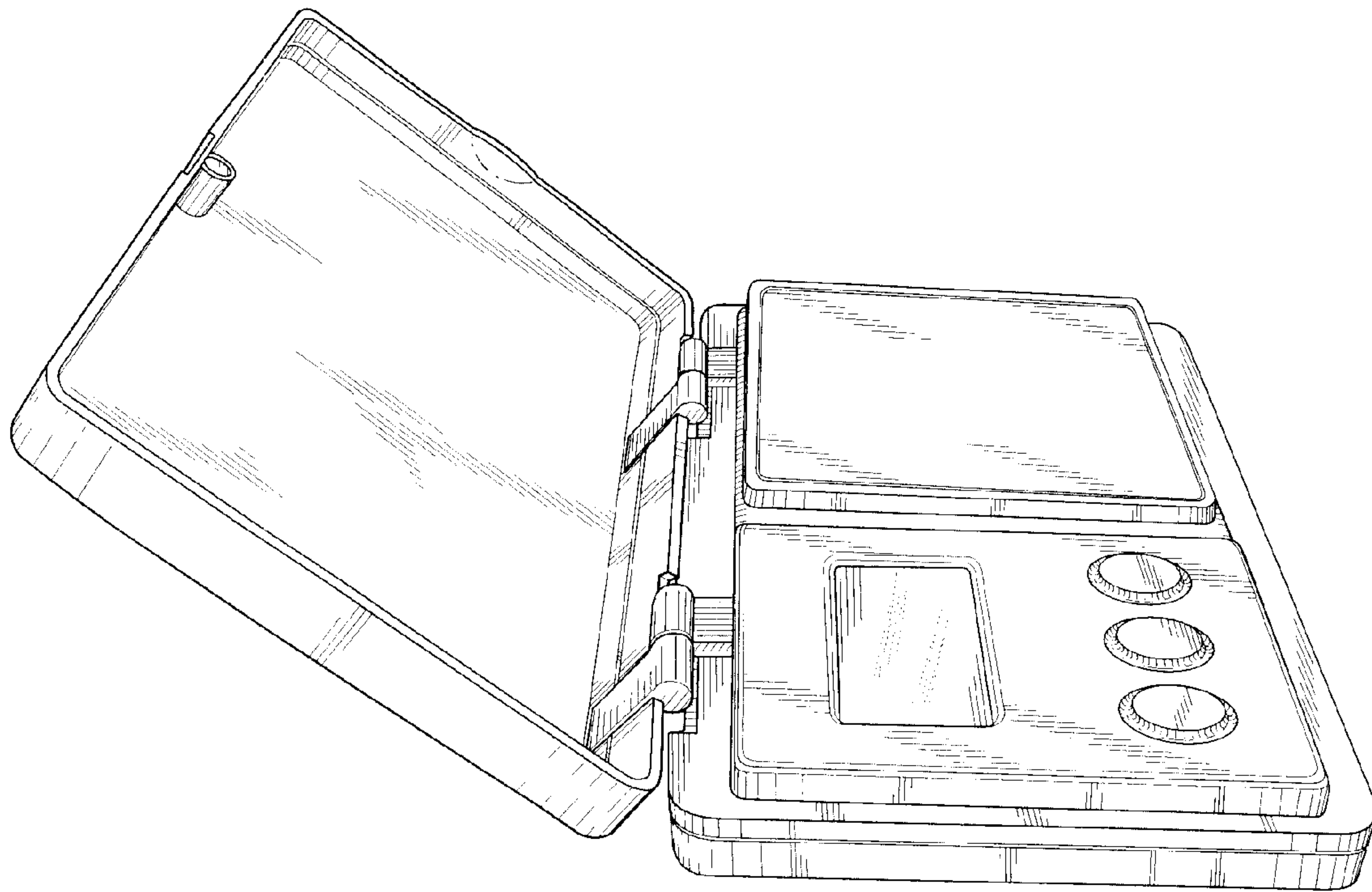


Fig. 3

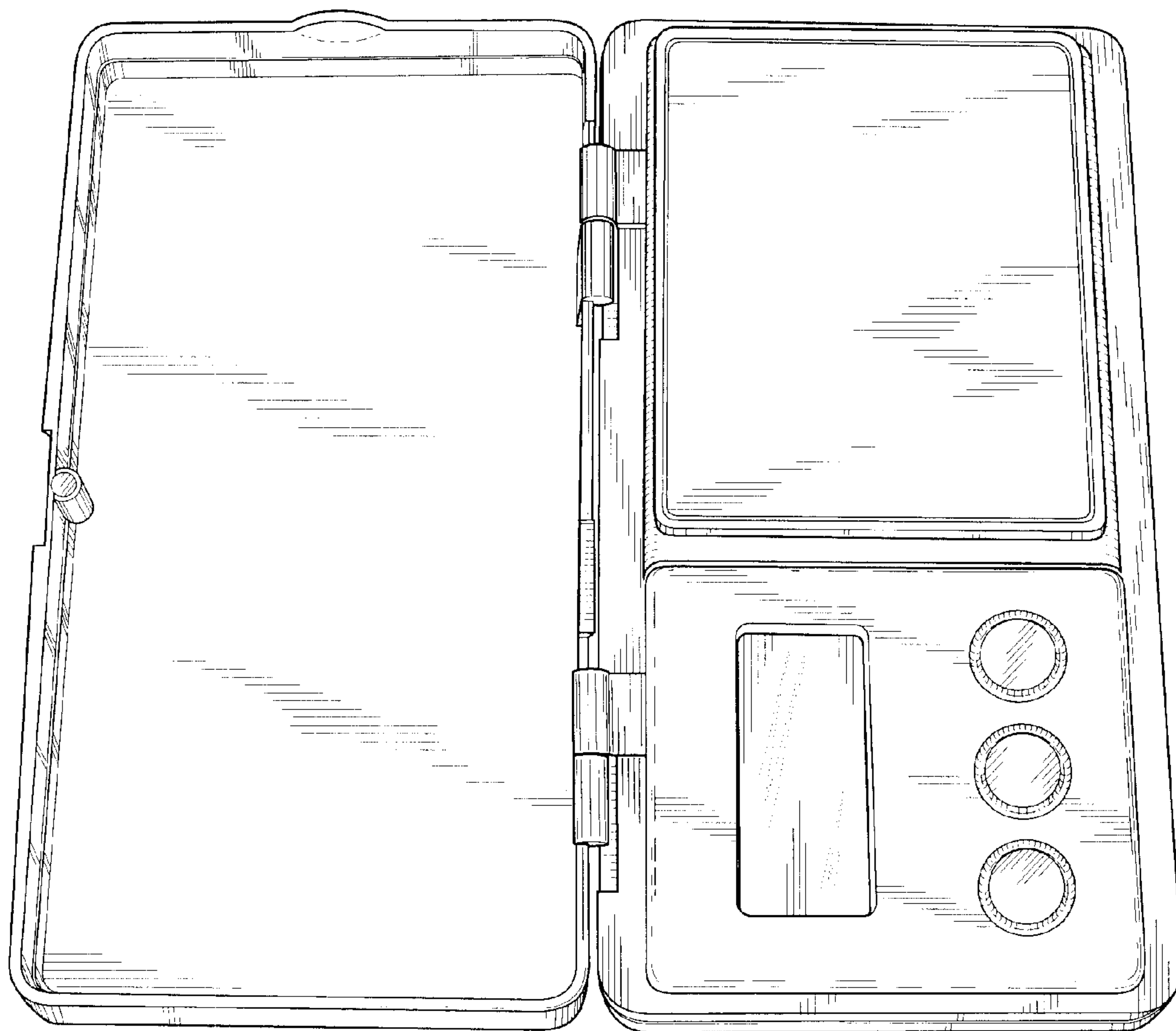


Fig. 4

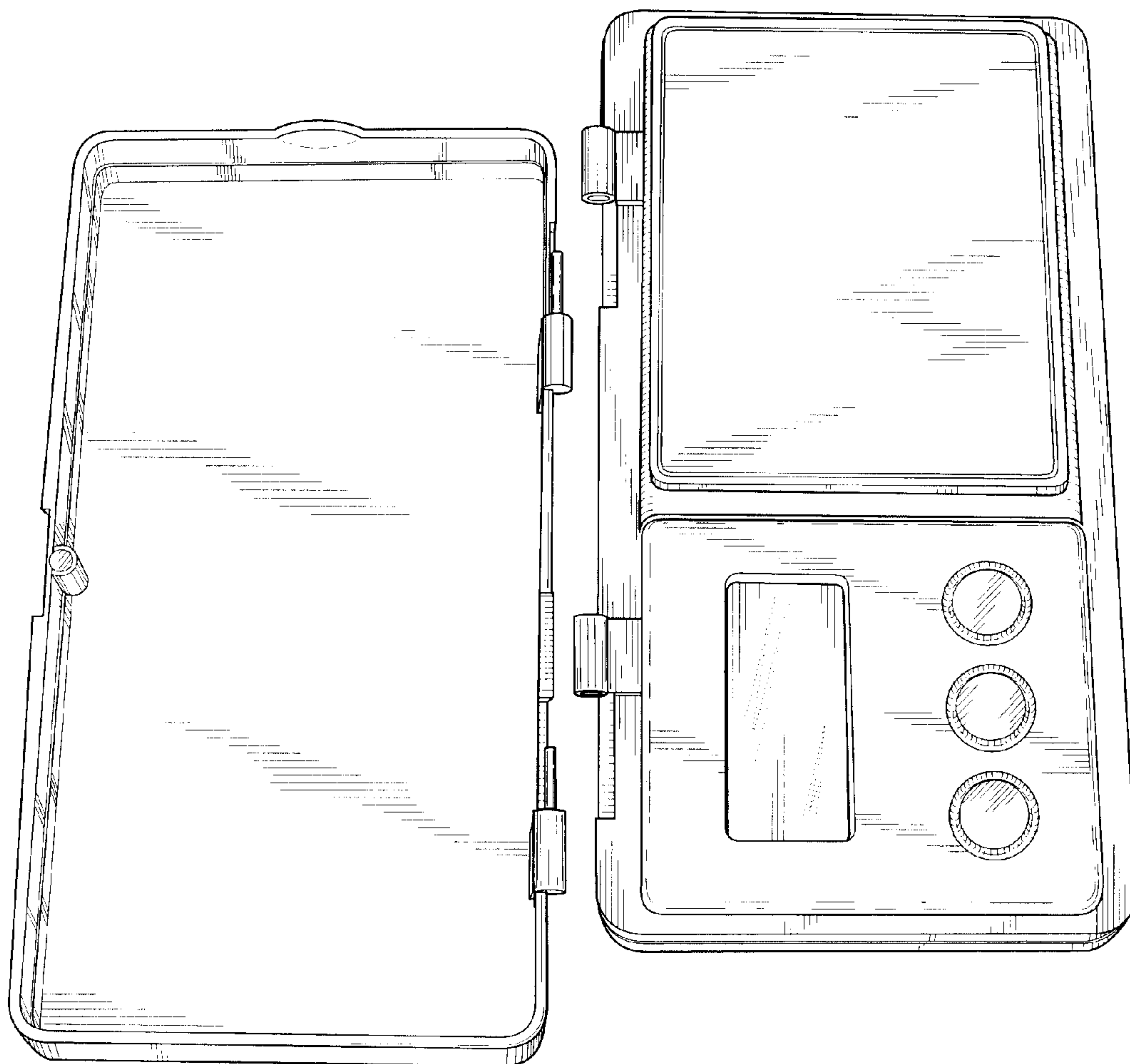


Fig. 5

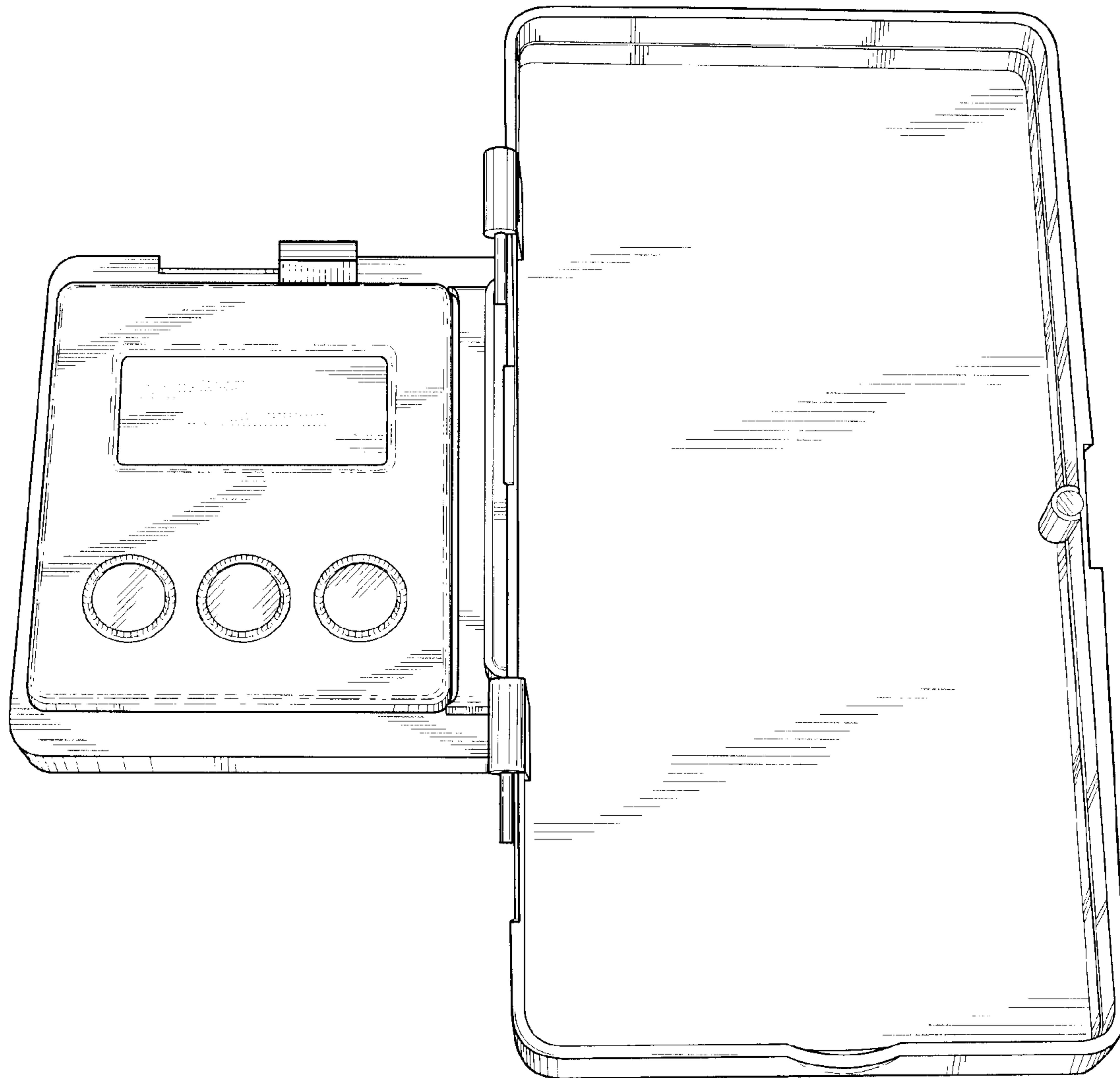


Fig. 6