



US00D505870S

(12) **United States Design Patent**
Vuillermoz

(10) **Patent No.:** **US D505,870 S**
(45) **Date of Patent:** **** Jun. 7, 2005**

(54) **CURRENT SENSOR**

6,759,840 B2 * 7/2004 Marasch et al. 324/117 H

(75) Inventor: **Guy Vuillermoz**, Bonne sur Menoge (FR)

OTHER PUBLICATIONS

(73) Assignee: **Liaisons-Electroniques Mecaniques LEM S.A.**, Geneva (CH)

Excerpts from ABB Control Technical Catalogue—Voltage Sensors, Current Sensors, Publication No. 1SBC 0011 99 R1001, France (V. Jul. 1999 DJM).

(**) Term: **14 Years**

Excerpts from LEM—Current and Voltage Transducers for Industrial Applications, Publication No. CH 21100 E (06.01, 12.5, GKD).

(21) Appl. No.: **29/206,608**

* cited by examiner

(22) Filed: **Jun. 1, 2004**

Related U.S. Application Data

Primary Examiner—Antoine D. Davis

(62) Division of application No. 29/173,977, filed on Jan. 9, 2003, now Pat. No. Des. 494,078.

(74) *Attorney, Agent, or Firm*—Woodard, Emhardt, Moriarty, McNett & Henry LLP

(30) **Foreign Application Priority Data**

(57) **CLAIM**

Jan. 7, 2003 (WO) DM/062 779

The ornamental design for a current sensor, as shown and described.

(51) **LOC (8) Cl.** **10-04**

DESCRIPTION

(52) **U.S. Cl.** **D10/75**

(58) **Field of Search** D10/75, 79, 80;
324/117 H, 117 R

FIG. 1 is a front perspective view of a current sensor showing my claimed design; and,

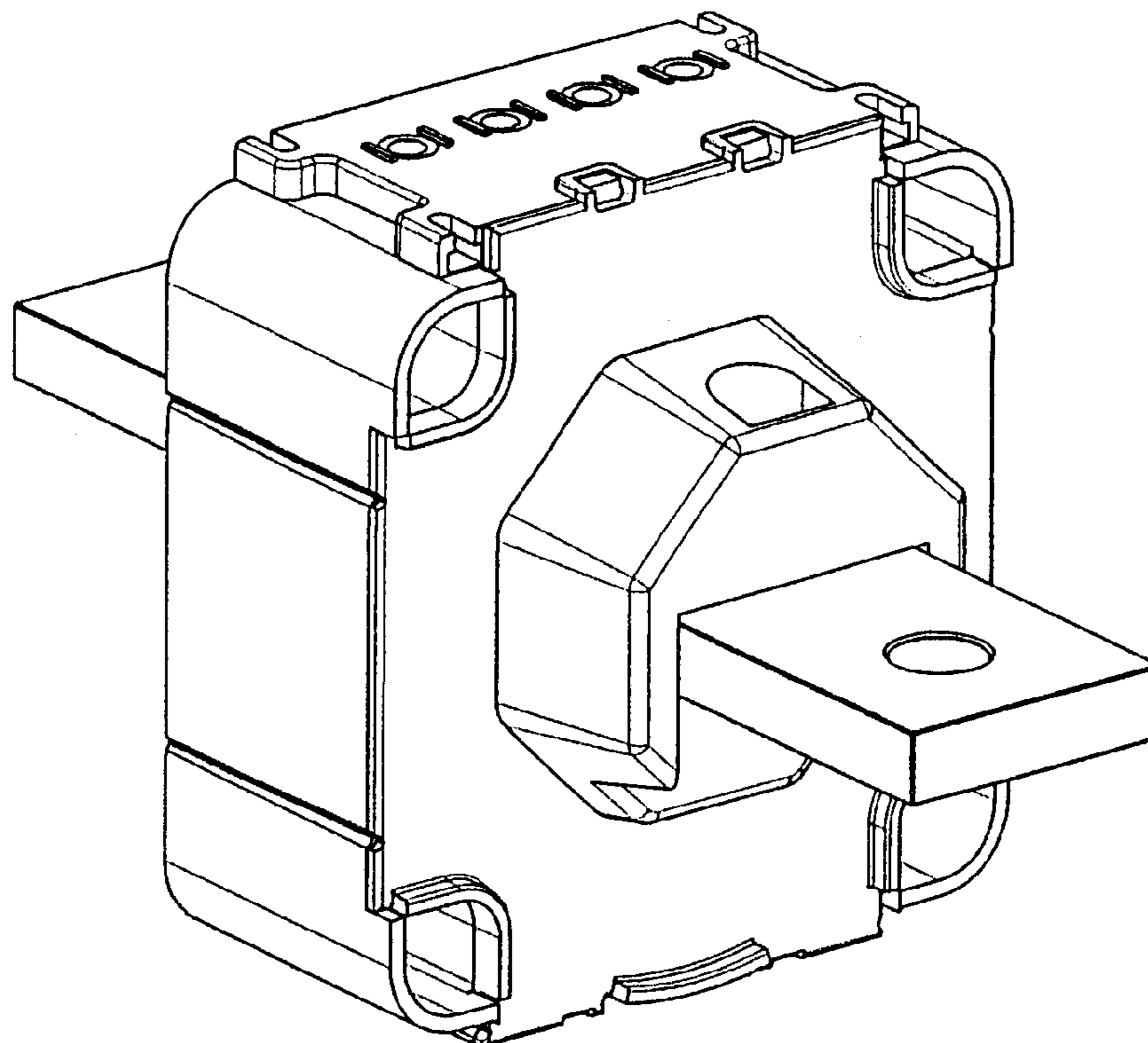
FIG. 2 is a rear perspective view thereof.

(56) **References Cited**

U.S. PATENT DOCUMENTS

6,624,622 B2 * 9/2003 Noh 324/117 R

1 Claim, 1 Drawing Sheet



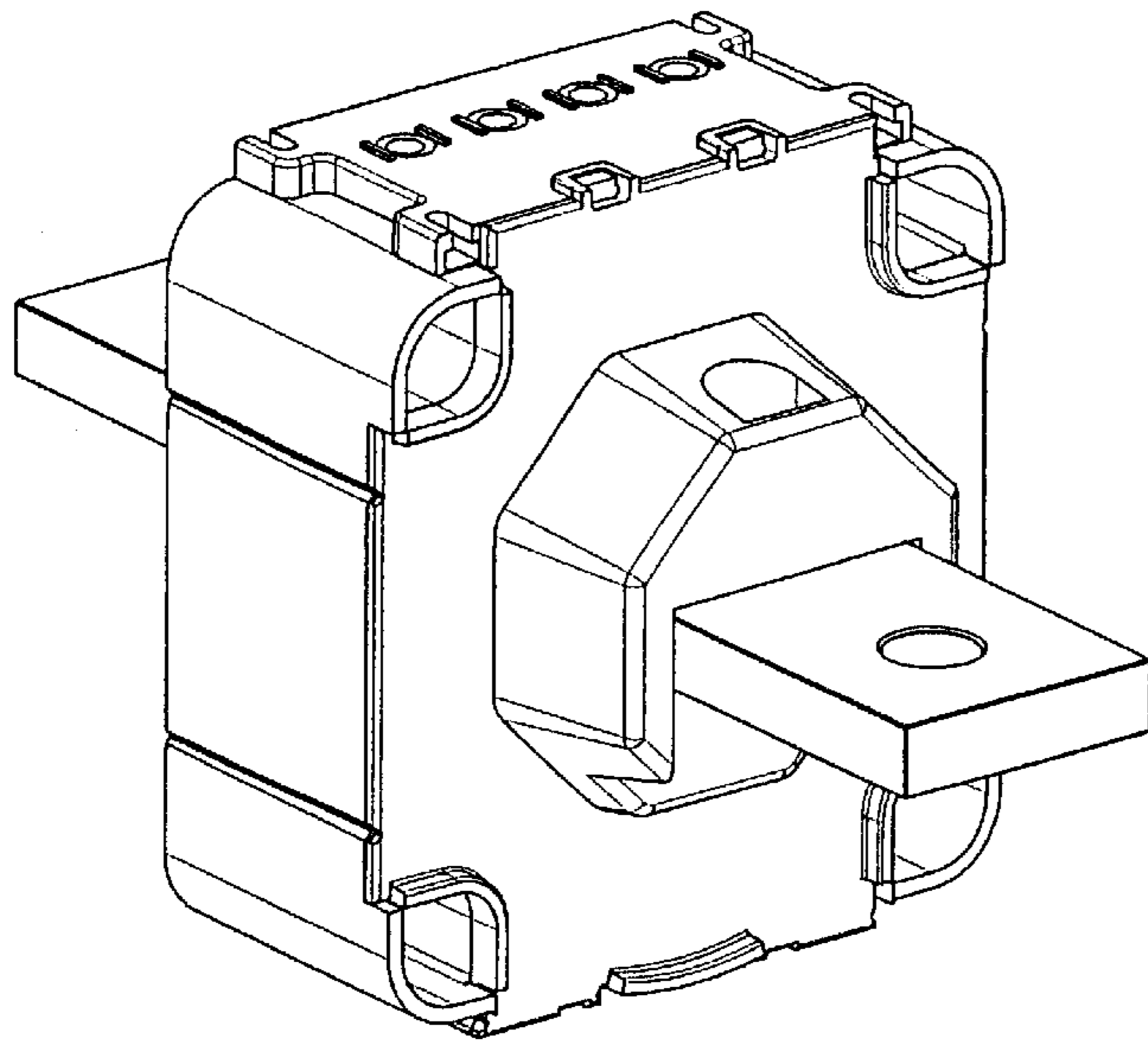


Fig. 1

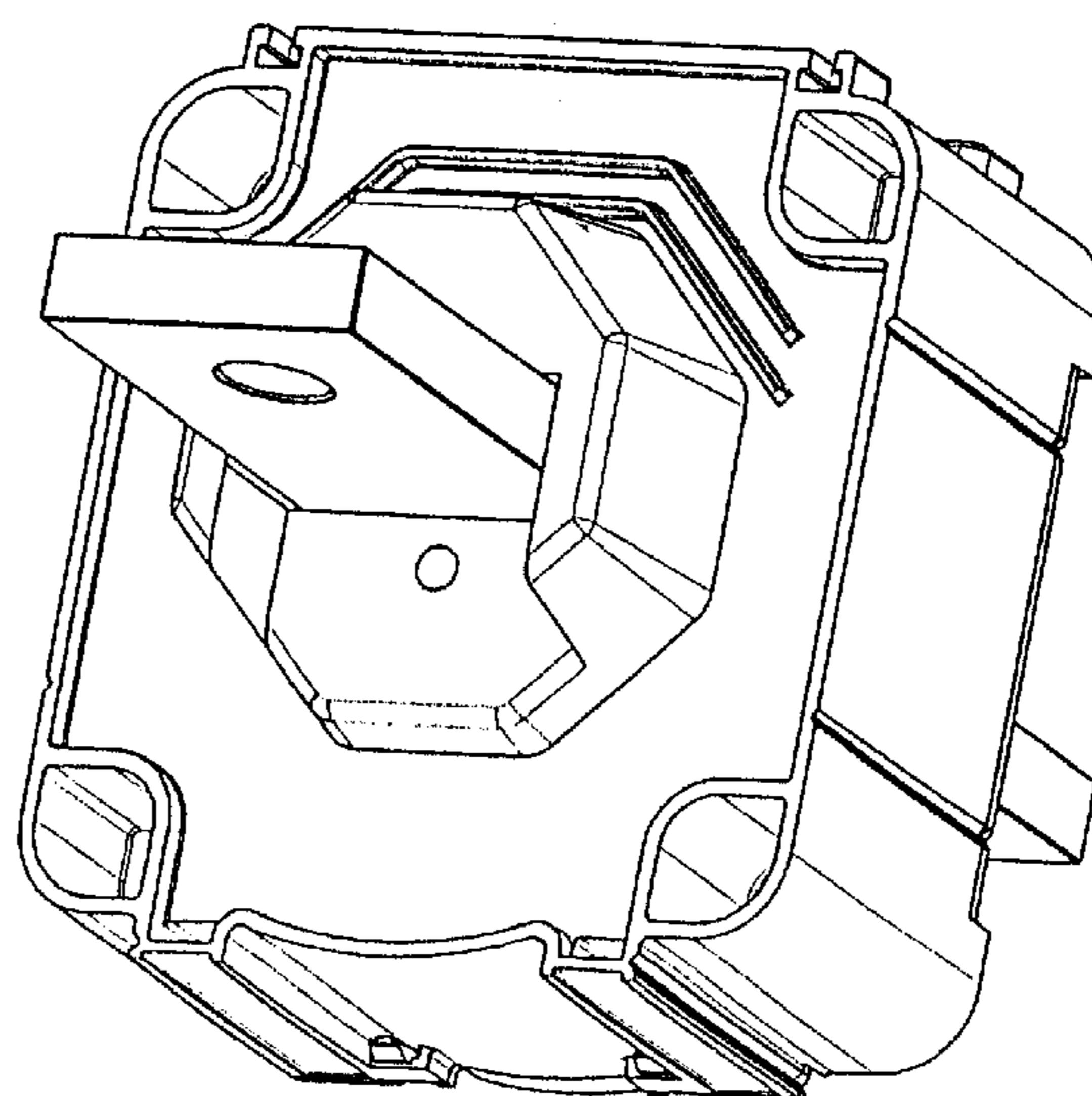


Fig. 2