

US00D505869S

(12) **United States Design Patent**
Lin

(10) **Patent No.:** **US D505,869 S**

(45) **Date of Patent:** **** Jun. 7, 2005**

(54) **LASER LEVELER**

D480,319 S * 10/2003 Jan D10/69

(75) **Inventor:** **Jun-Ming Lin, Taipei (TW)**

* cited by examiner

(73) **Assignee:** **Quarton, Inc. (TW)**

Primary Examiner—Antoine D. Davis

(**) **Term:** **14 Years**

(74) *Attorney, Agent, or Firm*—Raymond Sun

(21) **Appl. No.:** **29/205,731**

(22) **Filed:** **May 18, 2004**

(57) **CLAIM**

The ornamental design for an laser leveler, as shown and described.

(30) **Foreign Application Priority Data**

DESCRIPTION

Apr. 23, 2004 (TW) 93302335

FIG. 1 is a perspective view of a “laser leveler” showing my design;

(51) **LOC (8) Cl.** **10-04**

FIG. 2 is a front elevational view thereof;

(52) **U.S. Cl.** **D10/69**

FIG. 3 is a rear elevational view thereof;

(58) **Field of Search** D10/69; 33/365,
33/366.11–366.27, 367–391

FIG. 4 is a left side elevational view thereof;

FIG. 5 is a right side elevational view thereof;

(56) **References Cited**

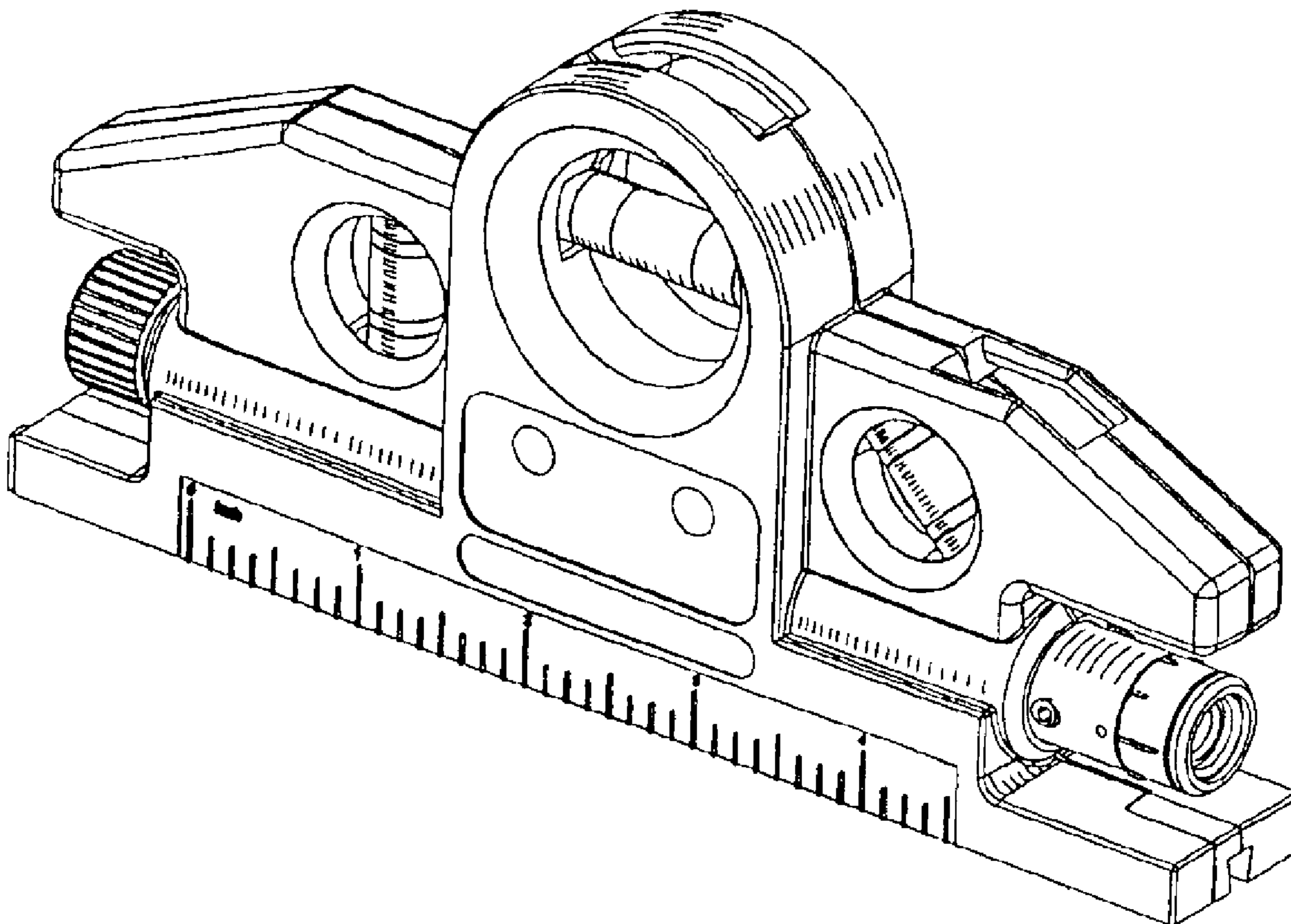
FIG. 6 is a top plan view thereof; and,

FIG. 7 is a bottom plan view thereof.

U.S. PATENT DOCUMENTS

4,745,688 A * 5/1988 Jewers 33/372

1 Claim, 4 Drawing Sheets



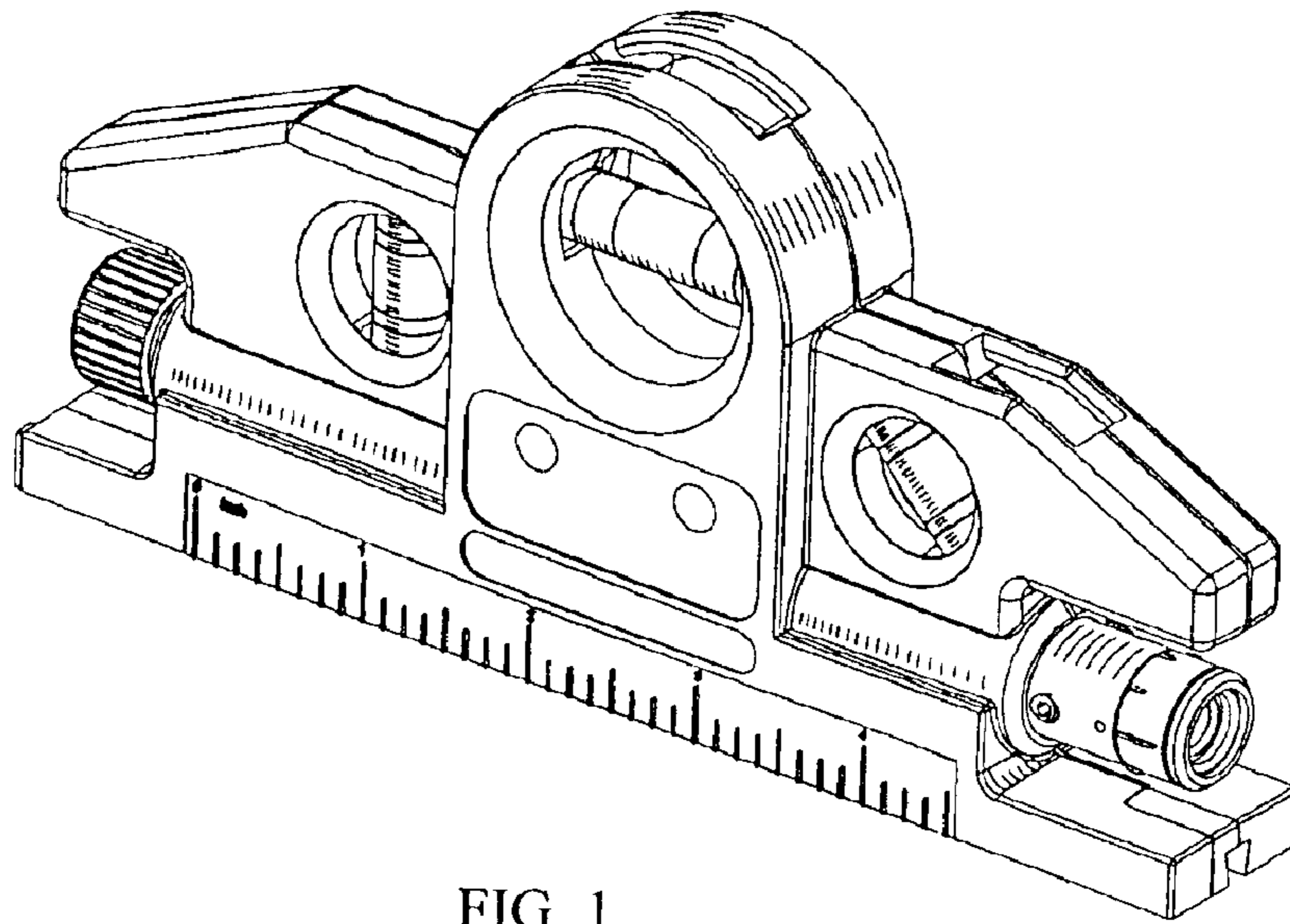


FIG. 1

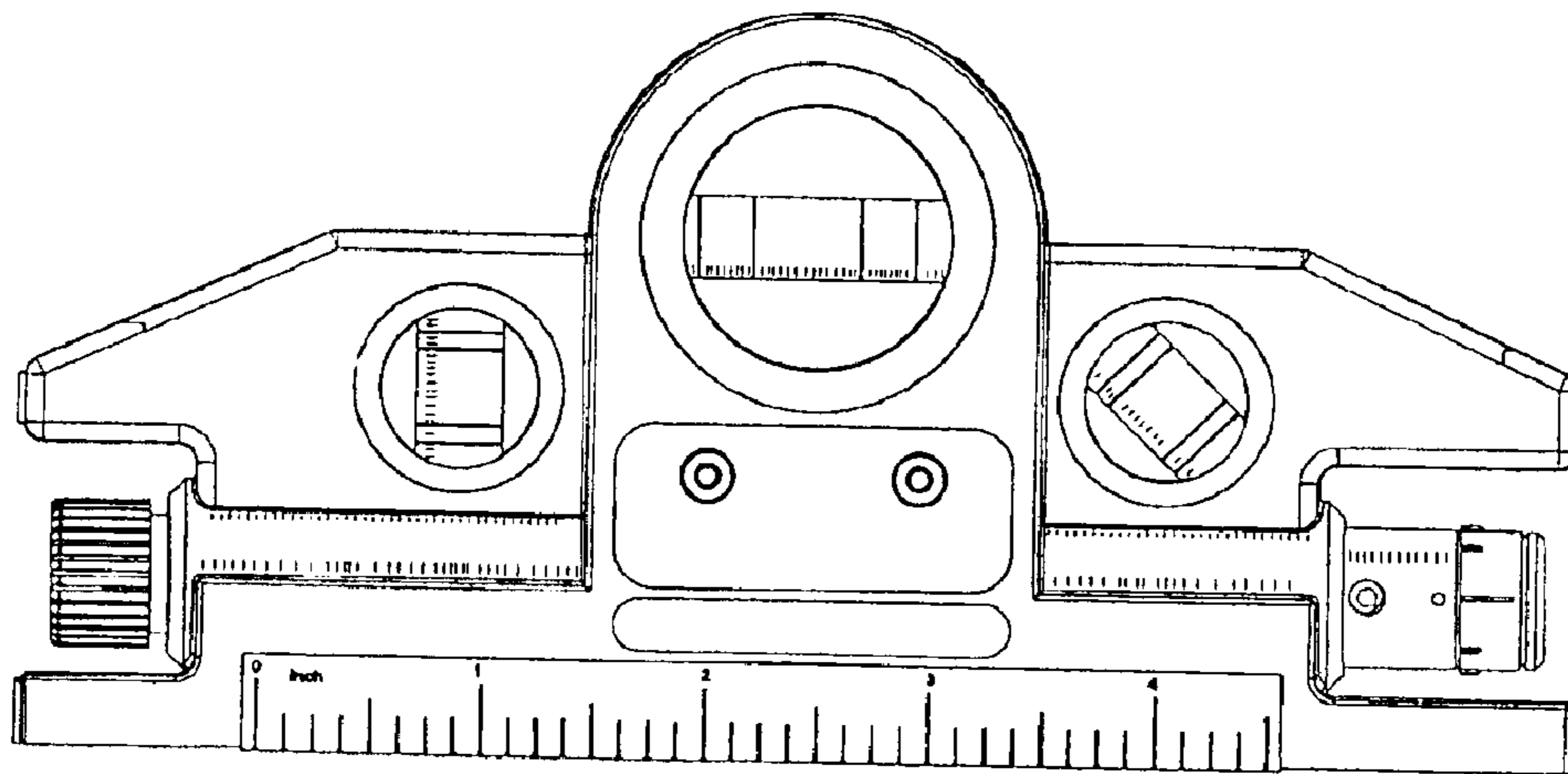


FIG. 2

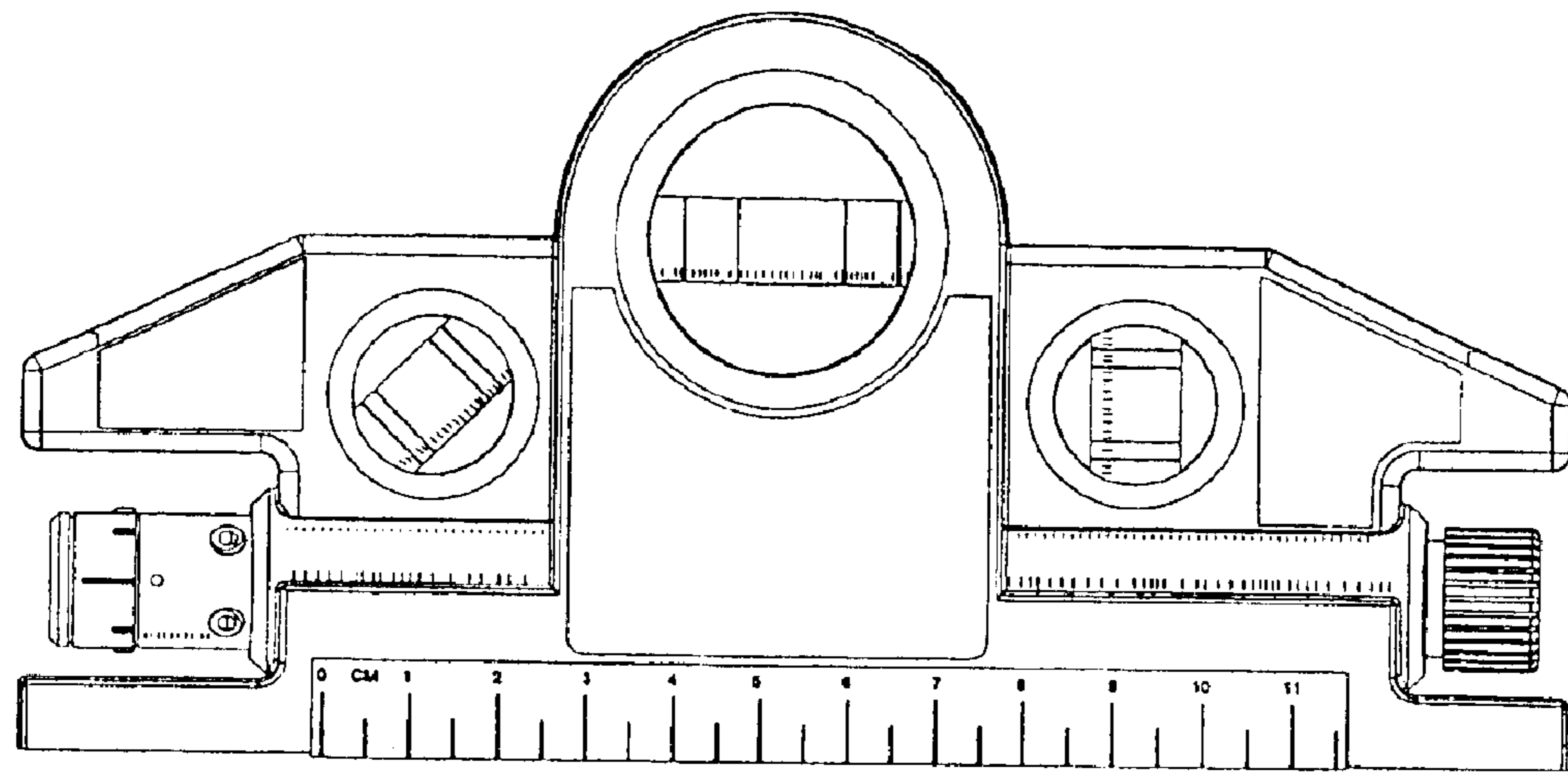


FIG. 3

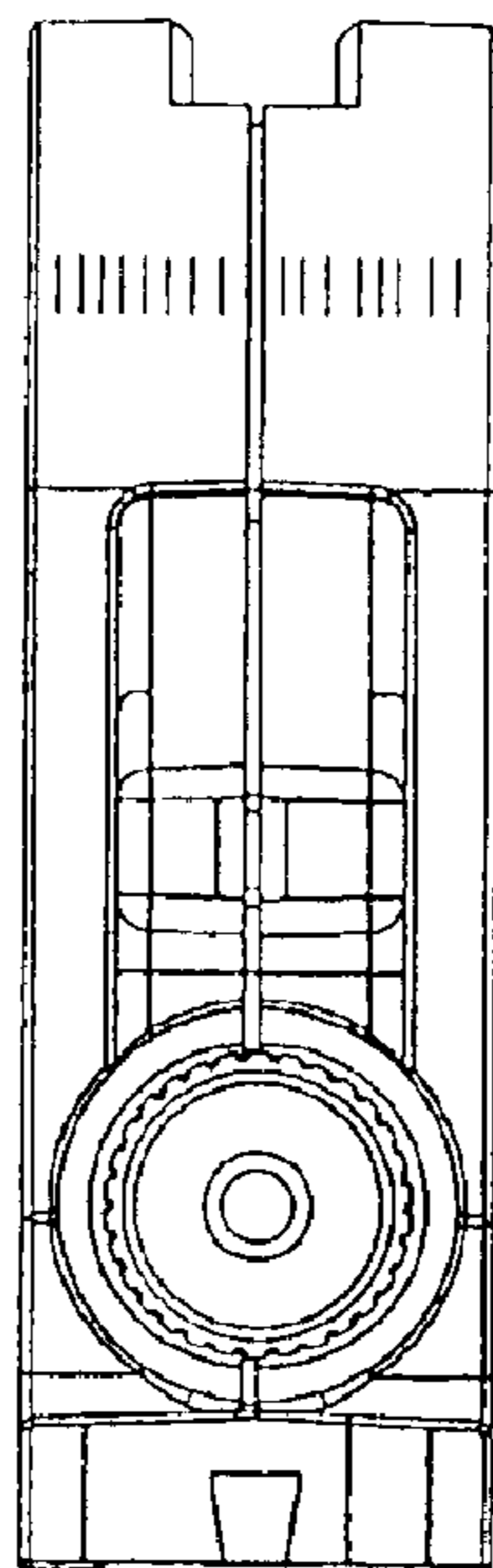


FIG. 4

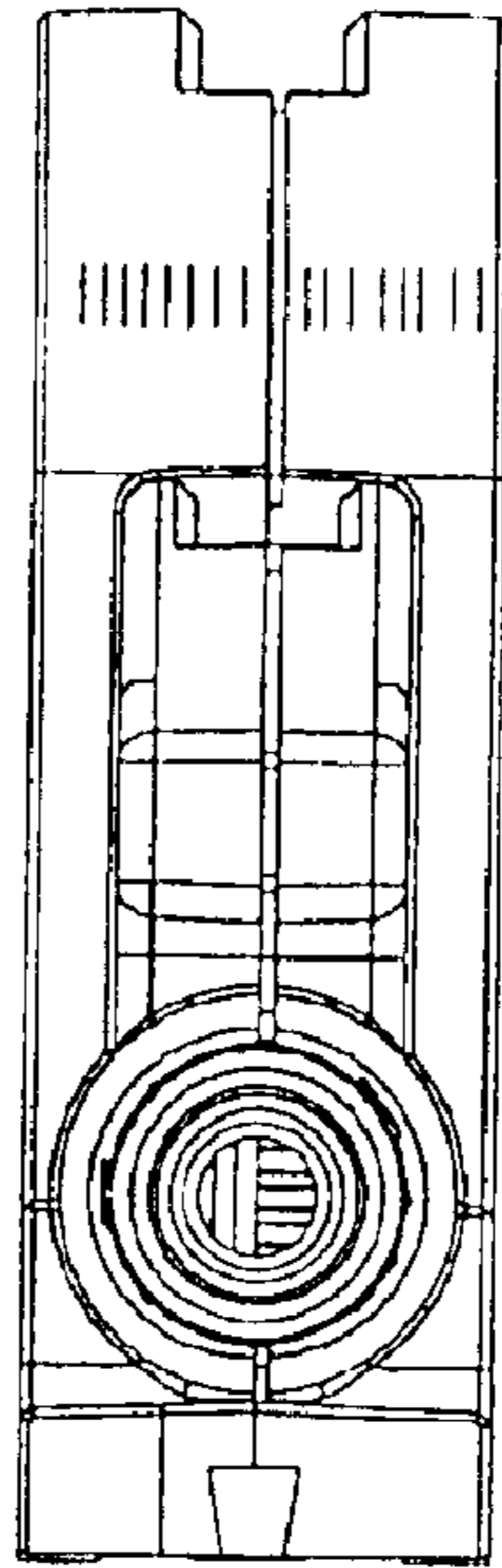


FIG. 5

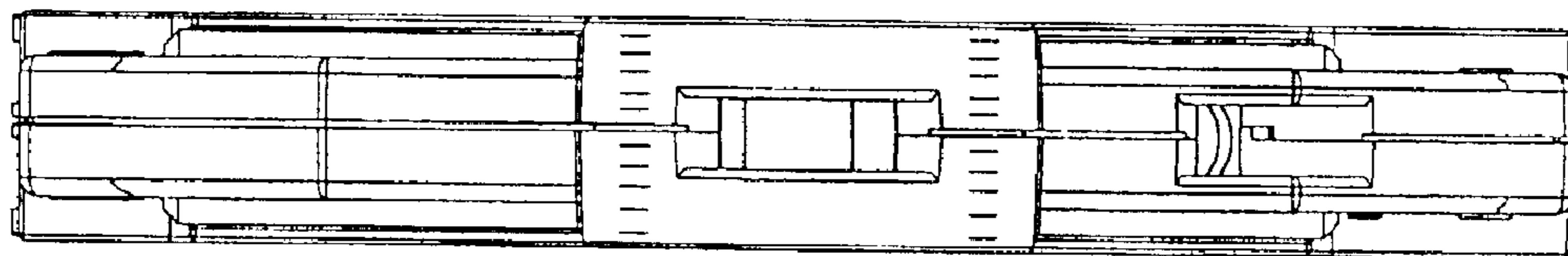


FIG. 6

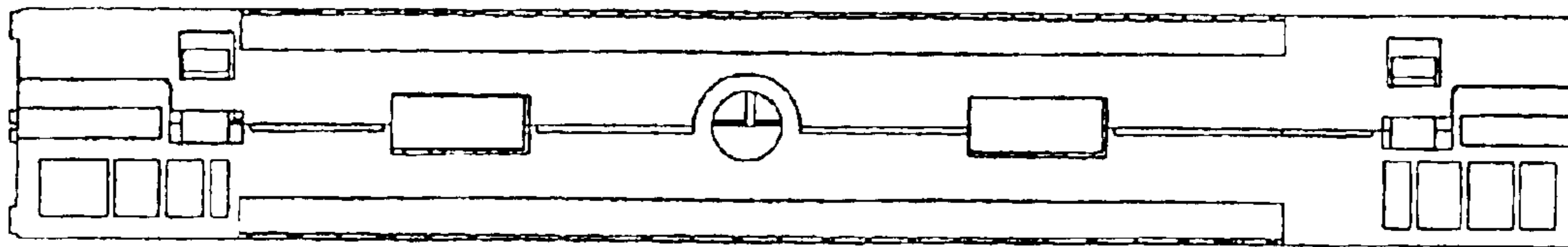


FIG. 7