



US00D505862S

(12) **United States Design Patent** (10) **Patent No.:** **US D505,862 S**
Hughes (45) **Date of Patent:** **** Jun. 7, 2005**

(54) **HANDLE**
(75) **Inventor:** **Larry M. Hughes**, St. Petersburg, FL (US)
(73) **Assignee:** **Grabb-It Inc.**, Oceanside, CA (US)
(**) **Term:** **14 Years**
(21) **Appl. No.:** **29/189,055**
(22) **Filed:** **Aug. 27, 2003**

5,775,757 A 7/1998 Tipp
5,865,494 A * 2/1999 Tipp 294/171
5,881,432 A 3/1999 Good
D408,259 S 4/1999 Hagen
5,992,803 A 11/1999 LeRoux
5,996,180 A 12/1999 Eisenzopf
D438,797 S 3/2001 Bozlee
D442,085 S 5/2001 Bozlee
D451,389 S 12/2001 Bozlee
D451,390 S 12/2001 Bozlee
D451,391 S 12/2001 Bozlee
6,354,645 B2 3/2002 Bozlee

(51) **LOC (8) Cl.** **09-07**
(52) **U.S. Cl.** **D9/434**
(58) **Field of Search** D9/434, 433, 432;
220/528; 229/117.16, 117.9, 117.17, 103,
103.3, 116.1, 5.5, 906, 122; 294/171, 137

FOREIGN PATENT DOCUMENTS

AT 196775 3/1958
CA 2051019 3/1993
DE 3528037 A1 2/1987
DE 3918355 A1 12/1990
EP 0 085 524 A1 8/1983
GB 2 147 800 A 5/1985
GB 2 241 432 A 9/1991
GB 2 246 285 A 1/1992
GB 2 255 497 A 11/1992

(56) **References Cited**

U.S. PATENT DOCUMENTS

1,691,467 A 11/1928 Carver
2,215,116 A 9/1940 Crary
2,274,605 A 2/1942 Hoffmeister
2,501,037 A 3/1950 Fox
2,796,210 A 6/1957 Phillips
3,314,592 A 4/1967 Streich
D227,660 S 7/1973 Konno
3,804,323 A 4/1974 Bemel
D239,919 S 5/1976 Wilson
4,262,385 A 4/1981 Norman
4,417,609 A 11/1983 Sherwood
4,617,215 A 10/1986 Telesco
4,796,940 A 1/1989 Rimland
D307,712 S 5/1990 Ralls et al.
4,920,675 A 5/1990 Mashimo
4,932,702 A 6/1990 Sweeny
4,982,989 A 1/1991 Sweeny
5,005,891 A 4/1991 Lunsford
D317,246 S 6/1991 Driscoll
5,029,926 A * 7/1991 Dieterich, Jr. 294/171
D325,156 S 4/1992 Sweeny
5,257,845 A 11/1993 McConnell
5,368,393 A 11/1994 Normann
5,425,497 A 6/1995 Sorensen
D363,876 S 11/1995 Morissette
5,487,582 A 1/1996 Bourgeois et al.
5,599,052 A 2/1997 Van Davelaar
D380,382 S 7/1997 Rhone et al.
5,658,029 A 8/1997 Franko
D395,602 S 6/1998 Sakko

OTHER PUBLICATIONS

European Search Report for EP 0 085 524 A1, Podes, May 9, 1983.
Lundstrum, Meg, Raising the Roof with Floor Ads, Business Week, Sep. 16, 1999, The McGraw.

* cited by examiner

Primary Examiner—Gary D. Watson
Assistant Examiner—Susan Bennett-Hattan
(74) *Attorney, Agent, or Firm*—Kilpatrick Stockton LLP

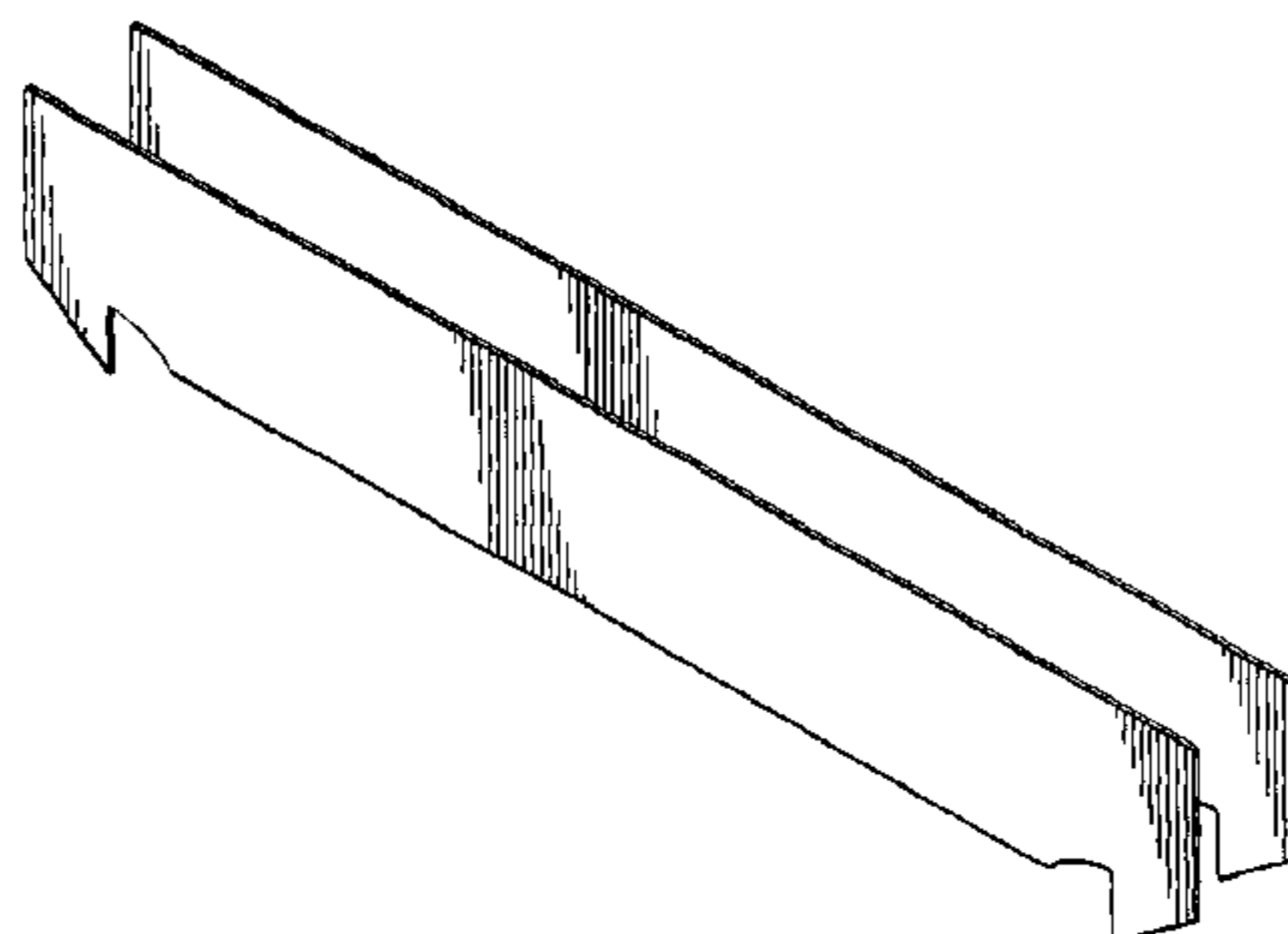
(57) **CLAIM**

The ornamental design for a handle, as shown and described.

DESCRIPTION

FIG. 1 is a perspective view of a handle showing our new design in a folded condition;
FIG. 2 is a top view thereof, showing the handle in an unfolded condition, the bottom view being the same;
FIG. 3 is a front edge view thereof, the rear edge being the same; and,
FIG. 4 is a right edge view thereof, the left edge view being the same.

1 Claim, 1 Drawing Sheet



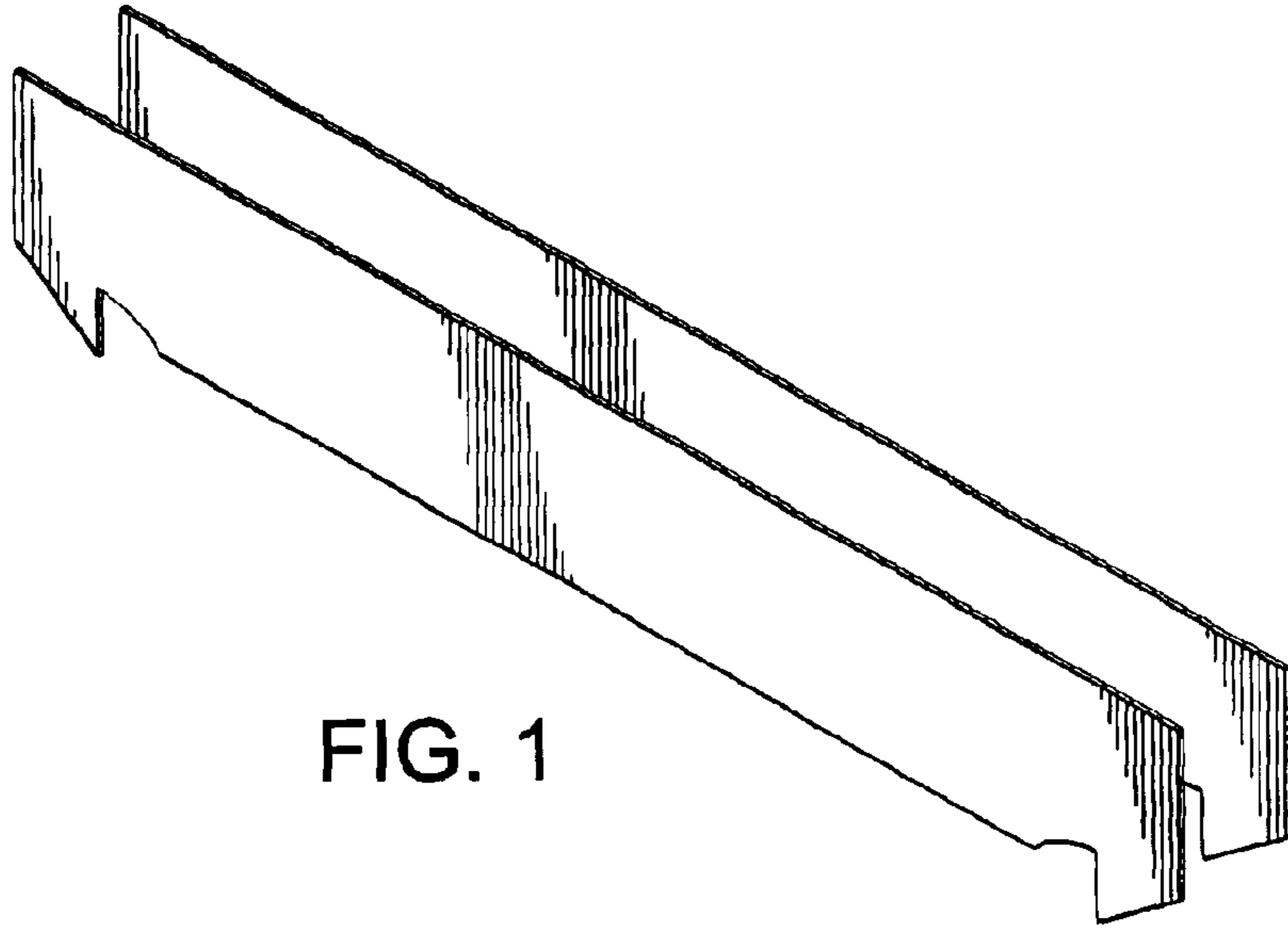


FIG. 1



FIG. 4

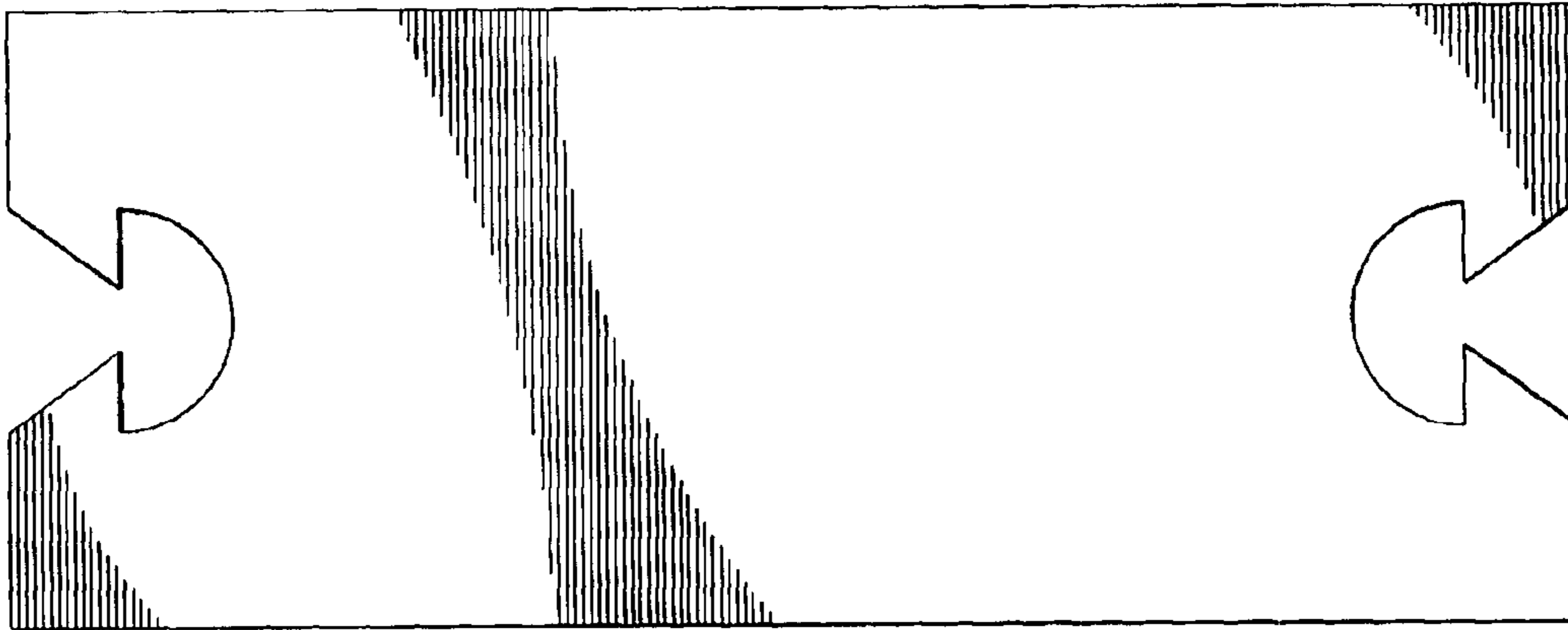


FIG. 2

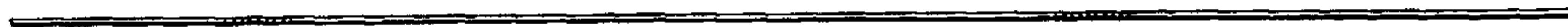


FIG. 3