

US00D505858S

(12) **United States Design Patent**
O'Keene

(10) **Patent No.:** **US D505,858 S**
(45) **Date of Patent:** **** Jun. 7, 2005**

(54) **WALL MOUNTING SYSTEM**

(75) Inventor: **Dugan O'Keene**, Forest Park, IL (US)

(73) Assignee: **Peerless Industries, Inc.**, Melrose Park, IL (US)

(**) Term: **14 Years**

(21) Appl. No.: **29/200,622**

(22) Filed: **Mar. 2, 2004**

(51) **LOC (8) Cl.** **08-05**

(52) **U.S. Cl.** **D8/355; D8/363**

(58) **Field of Search** D8/380, 373, 363,
D8/355; D6/418, 524, 501; D26/138, 66,
65; D14/457, 461, 452, 375, 451, 374;
439/352; 362/427; 248/314, 281.11, 278.1,
276.1

(56) **References Cited**

U.S. PATENT DOCUMENTS

D202,817 S	11/1965	Goda	
D253,637 S	* 12/1979	Welbourne	D10/109
4,449,172 A	5/1984	Warshawsky	
D292,236 S	* 10/1987	Caldwell	D26/65
4,836,486 A	* 6/1989	Vossoughi et al.	248/281.11
5,074,501 A	12/1991	Holtta	
D357,406 S	* 4/1995	Whitaker	D8/380
5,537,290 A	7/1996	Brown et al.	
D377,125 S	* 1/1997	Adamsson	D6/418
5,611,513 A	3/1997	Rosen	
5,812,368 A	9/1998	Chen et al.	
5,967,479 A	10/1999	Sweere et al.	
5,992,809 A	11/1999	Sweere et al.	
6,019,332 A	2/2000	Sweere et al.	
D430,570 S	* 9/2000	Lee	D14/451
D435,784 S	1/2001	Kampe	
D435,852 S	* 1/2001	Oddsens, Jr.	D14/452
D438,725 S	* 3/2001	Takahashi	D6/418
D455,949 S	* 4/2002	Huang	D8/373

(Continued)

Primary Examiner—Jeffrey Asch
Assistant Examiner—Austin Murphy
(74) *Attorney, Agent, or Firm*—Foley & Lardner

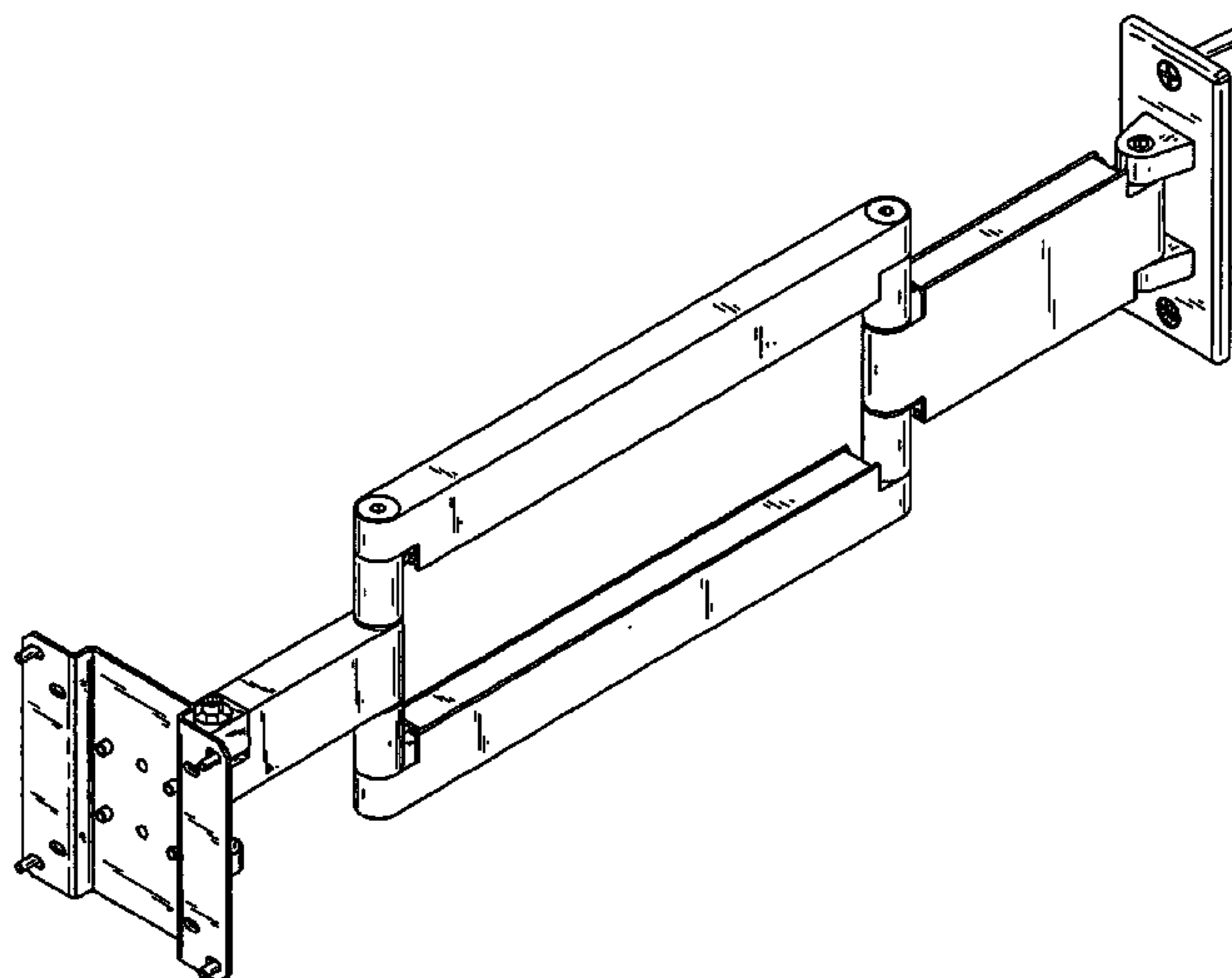
(57) **CLAIM**

We claim the ornamental design for a wall mounting system, as shown and described.

DESCRIPTION

FIG. 1 is a perspective view of a wall mounting system showing my new design;
 FIG. 2 is a right side view thereof;
 FIG. 3 is a left side view thereof;
 FIG. 4 is a front end view thereof;
 FIG. 5 is a rear end view thereof;
 FIG. 6 is a top plan view thereof;
 FIG. 7 is a bottom plan view thereof;
 FIG. 8 is a perspective view of the wall mounting system of FIG. 1 when in a collapsed position;
 FIG. 9 is perspective view of a wall mounting system showing my new design according to an alternate embodiment of the invention;
 FIG. 10 is a right side view of the wall mounting system of FIG. 9;
 FIG. 11 is a left side view of the wall mounting system of FIG. 9;
 FIG. 12 is a front end view of the wall mounting system of FIG. 9;
 FIG. 13 is a rear end view of the wall mounting system of FIG. 9;
 FIG. 14 is a top plan view of the wall mounting system of FIG. 9;
 FIG. 15 is a bottom plan view of the wall mounting system of FIG. 9; and,
 FIG. 16 is a perspective view of the wall mounting system of FIG. 9 when in a collapsed position.
 The ornamental design which is claimed is shown in solid lines in the drawings. The broken lines in the drawings are for illustrative purposes only and form no part of the second embodiment.

1 Claim, 8 Drawing Sheets



US D505,858 S

Page 2

U.S. PATENT DOCUMENTS

6,394,403 B1 *	5/2002	Hung	248/276.1	D489,599 S *	5/2004	Lam	D8/363
D466,397 S *	12/2002	Marwick	D8/373	6,758,454 B2 *	7/2004	Smed	248/314
D473,970 S *	4/2003	Johnson	D26/138	D494,599 S *	8/2004	Lauzon et al.	D14/457
6,554,238 B1 *	4/2003	Hibberd	248/278.1	D495,714 S *	9/2004	Pfister	D14/451
6,666,704 B2 *	12/2003	Rodney, Sr.	439/352	D496,367 S *	9/2004	Pfister	D14/451
D488,708 S *	4/2004	Lam et al.	D8/363					

* cited by examiner

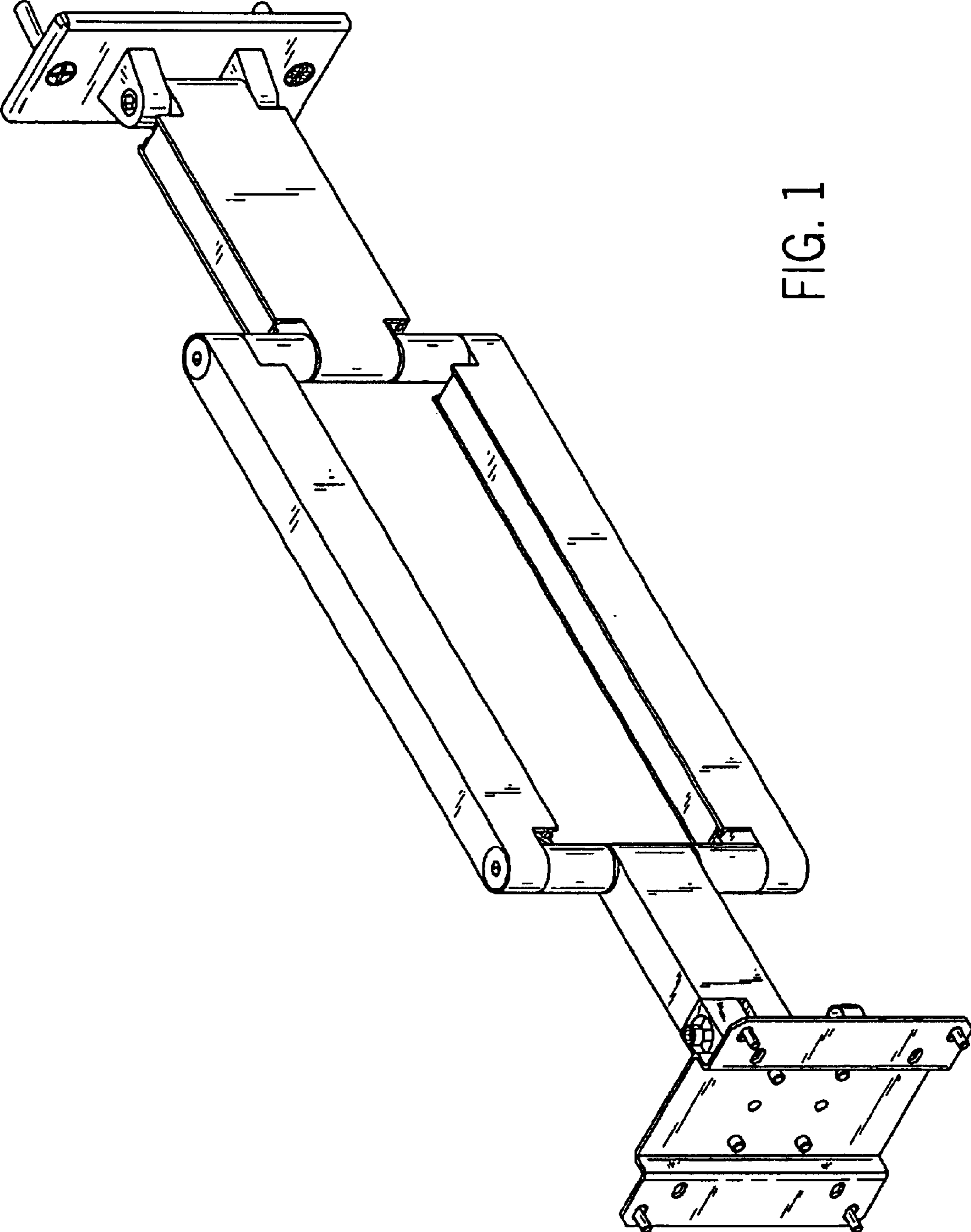


FIG. 1

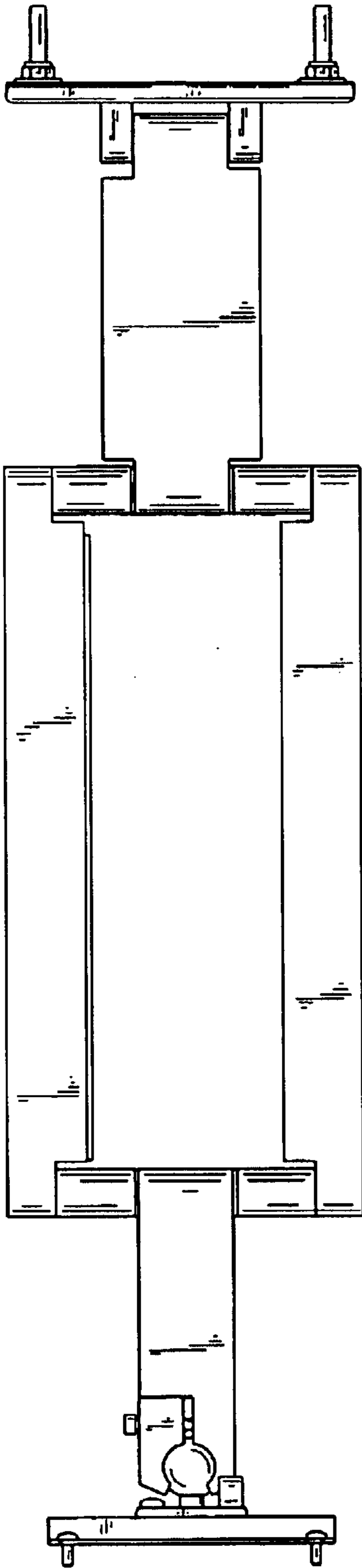


FIG. 2

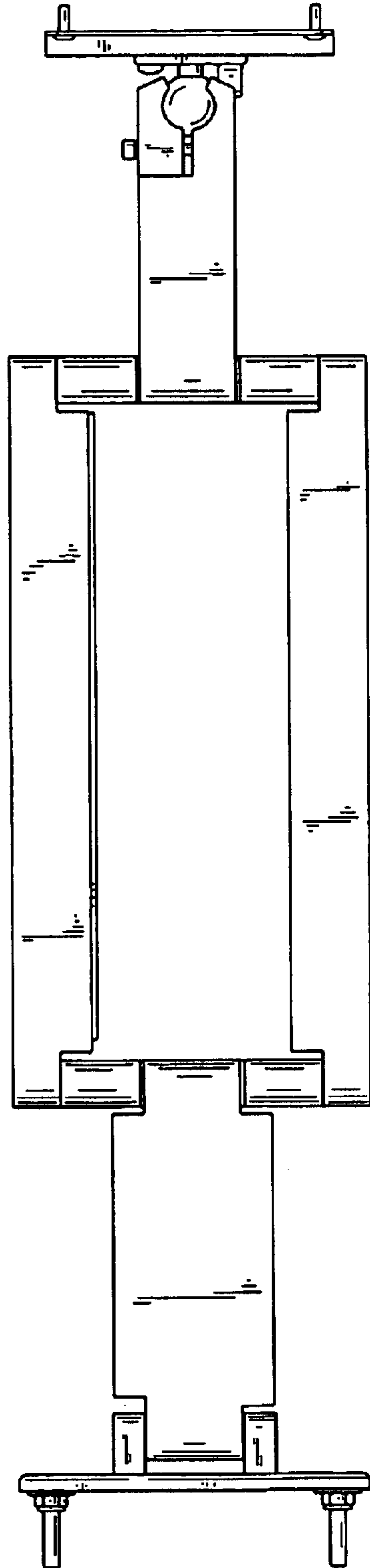


FIG. 3

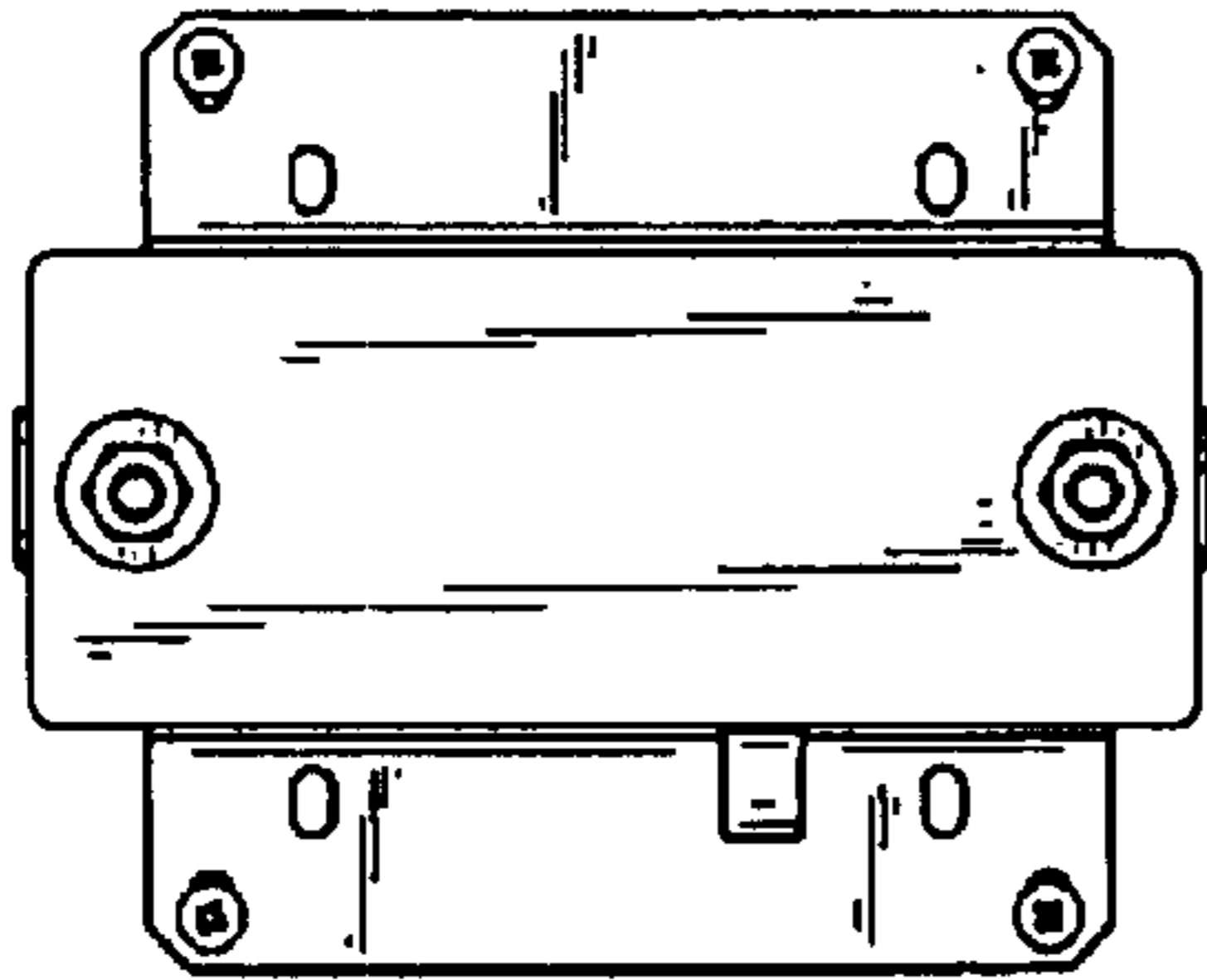


FIG. 5

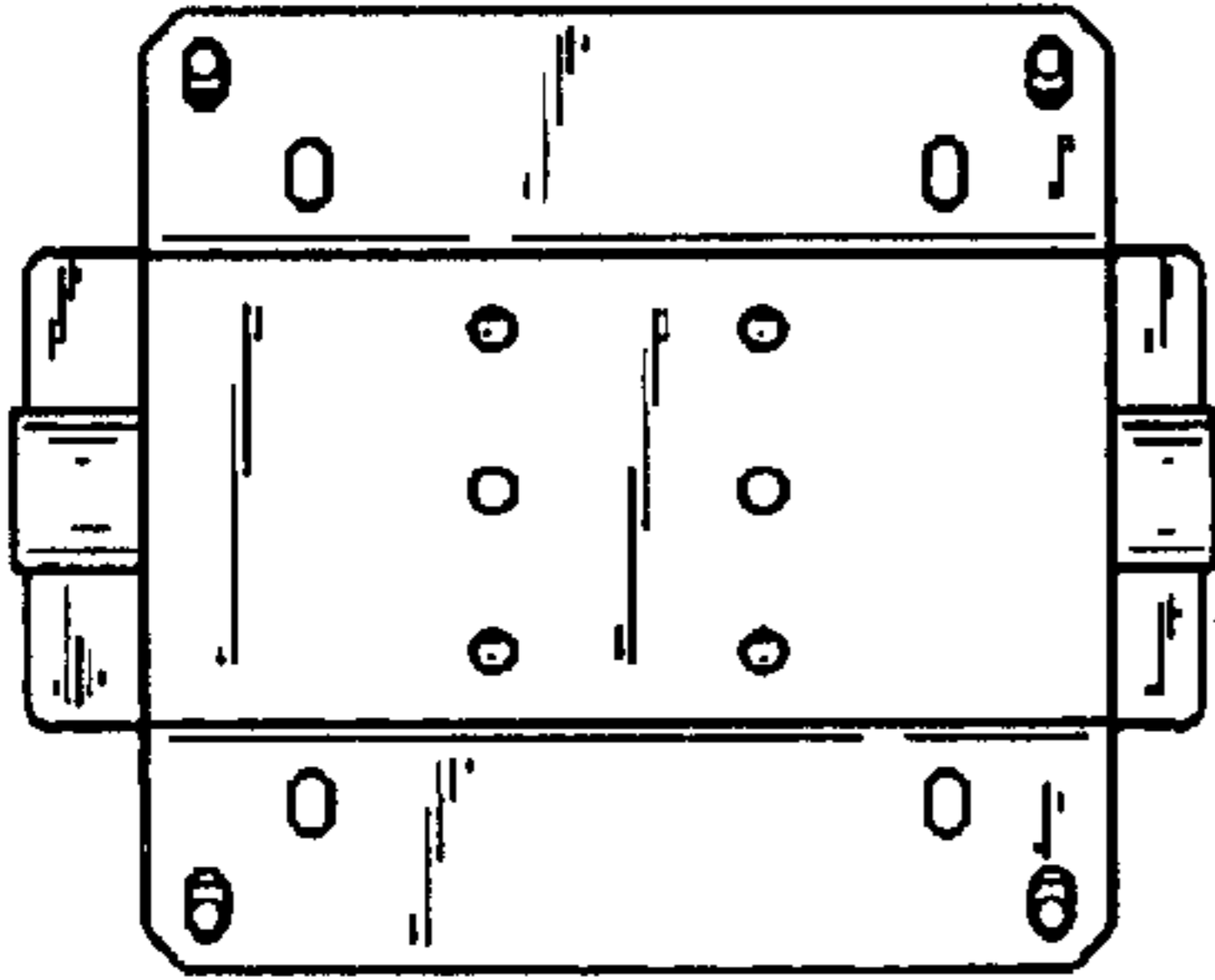


FIG. 4

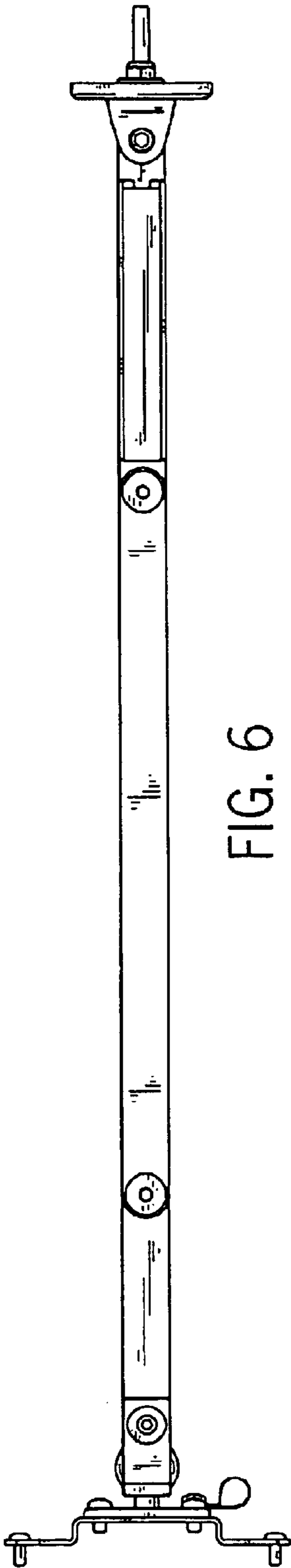


FIG. 6

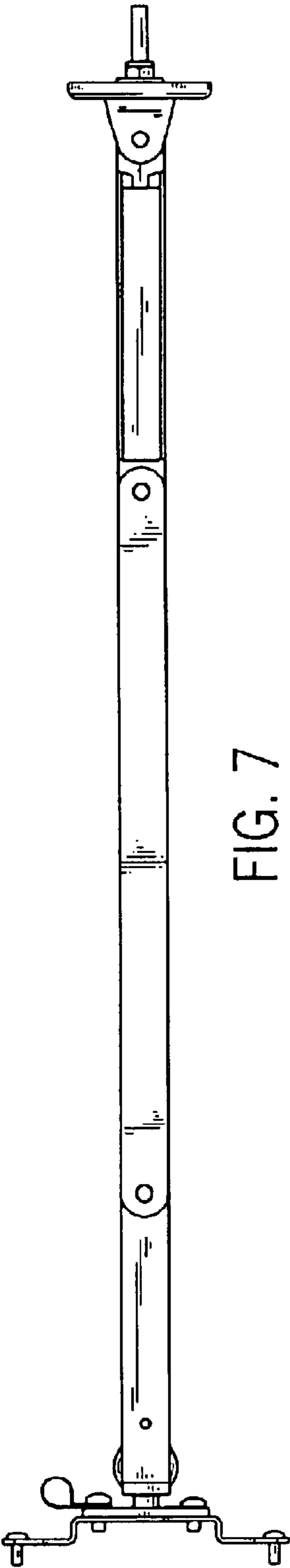


FIG. 7

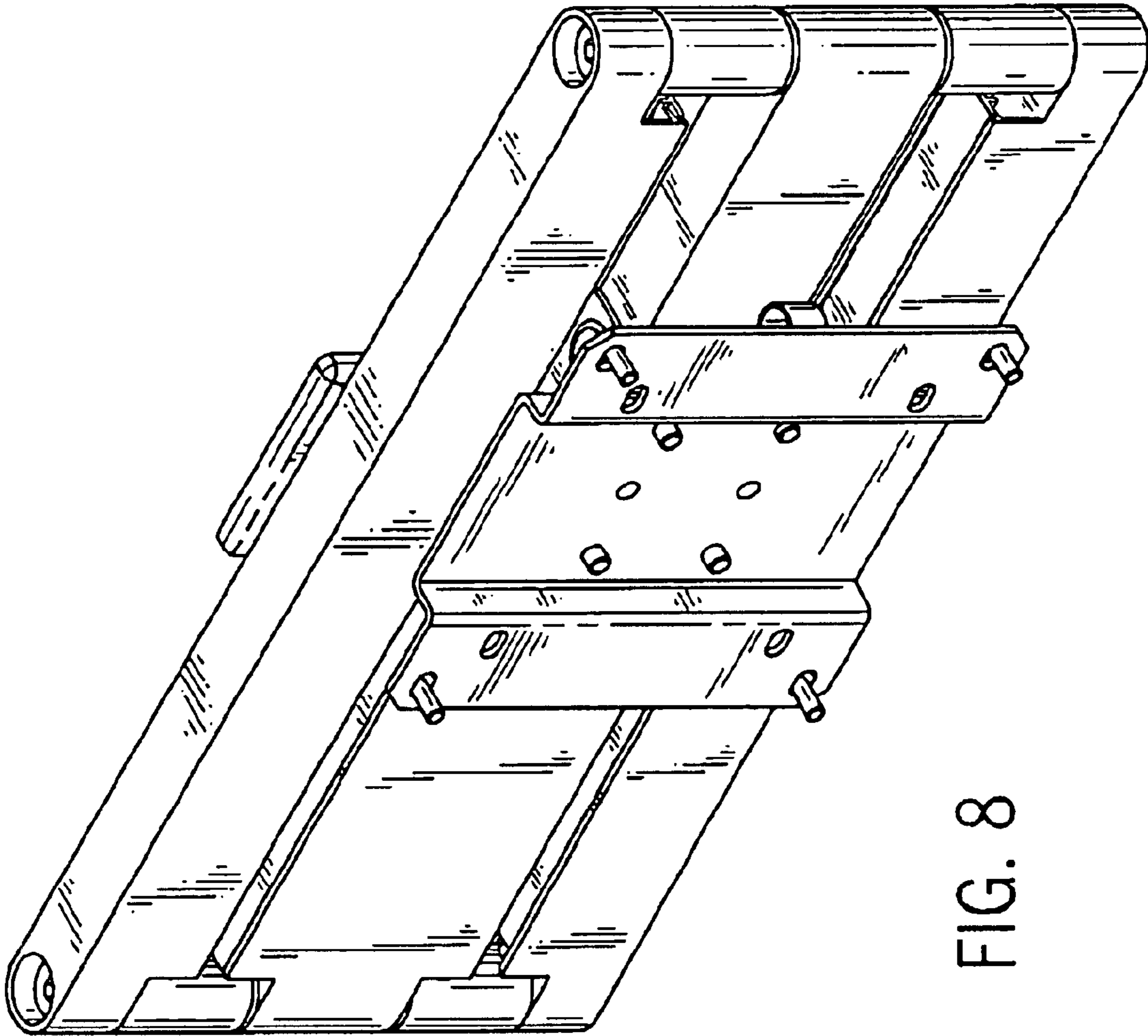


FIG. 8

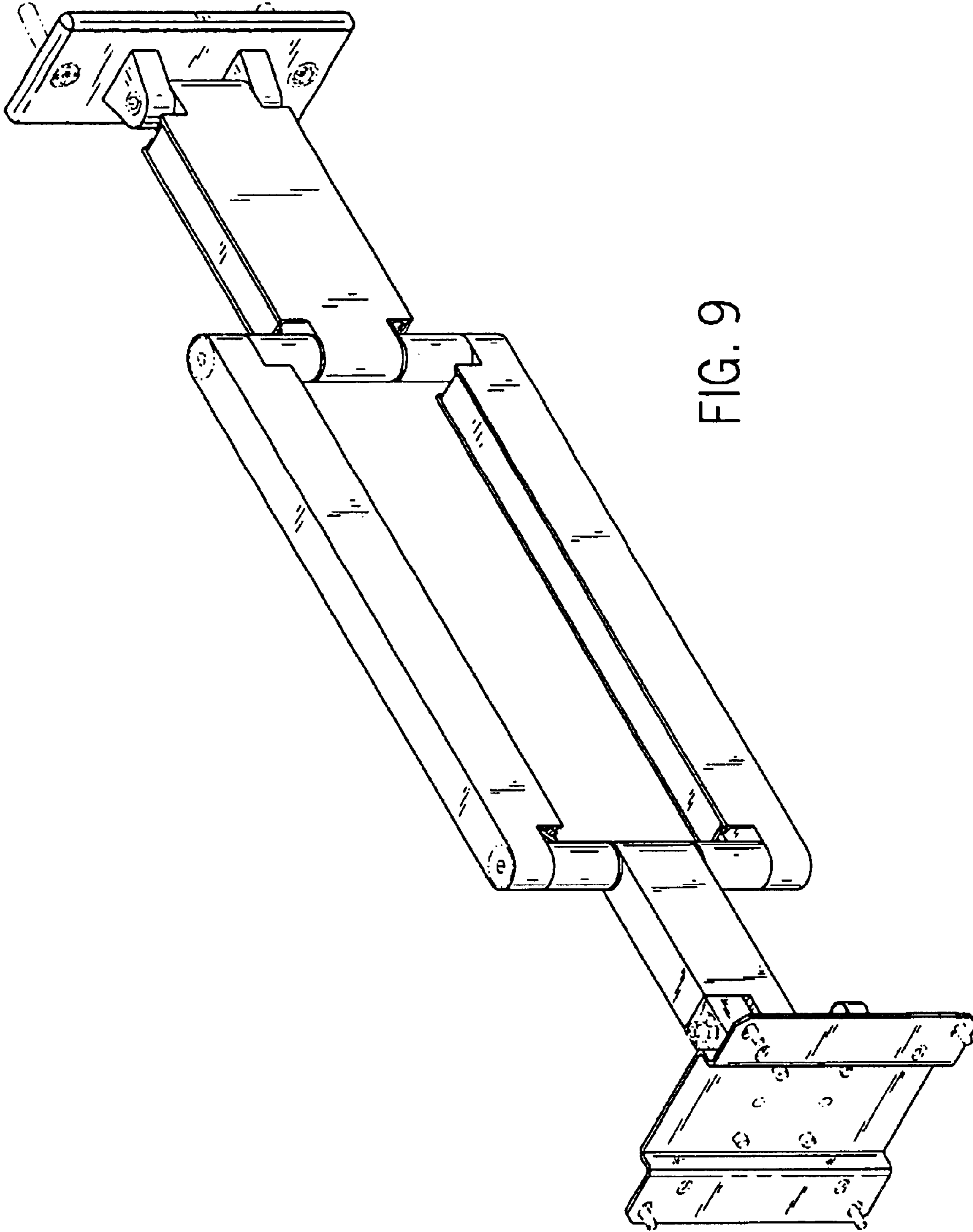


FIG. 9

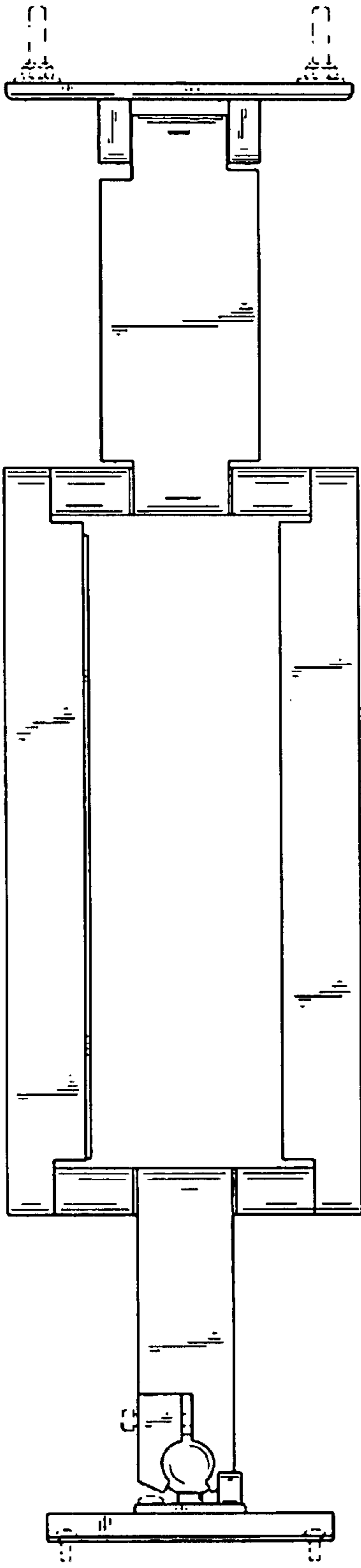


FIG. 10

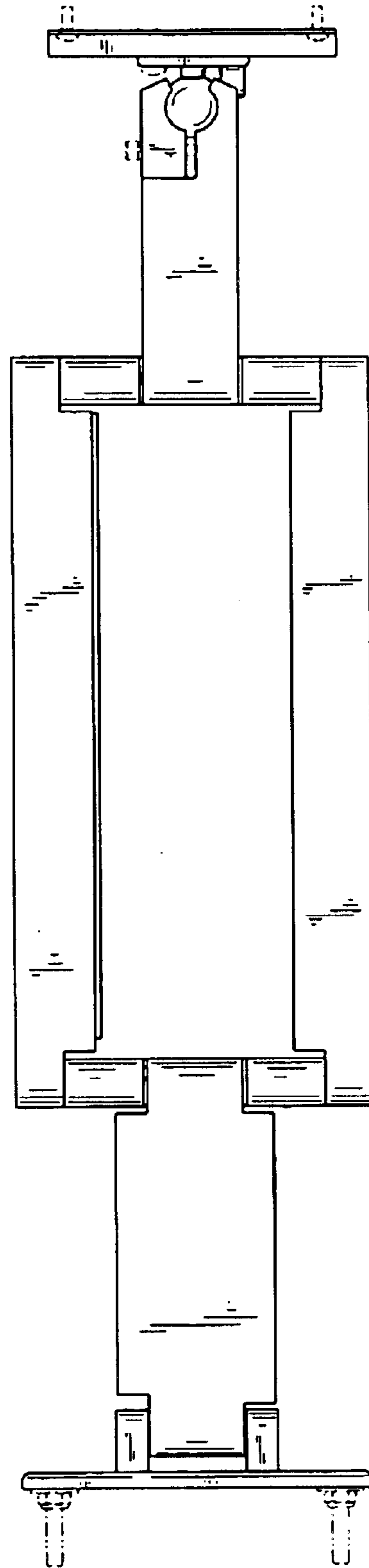


FIG. 11

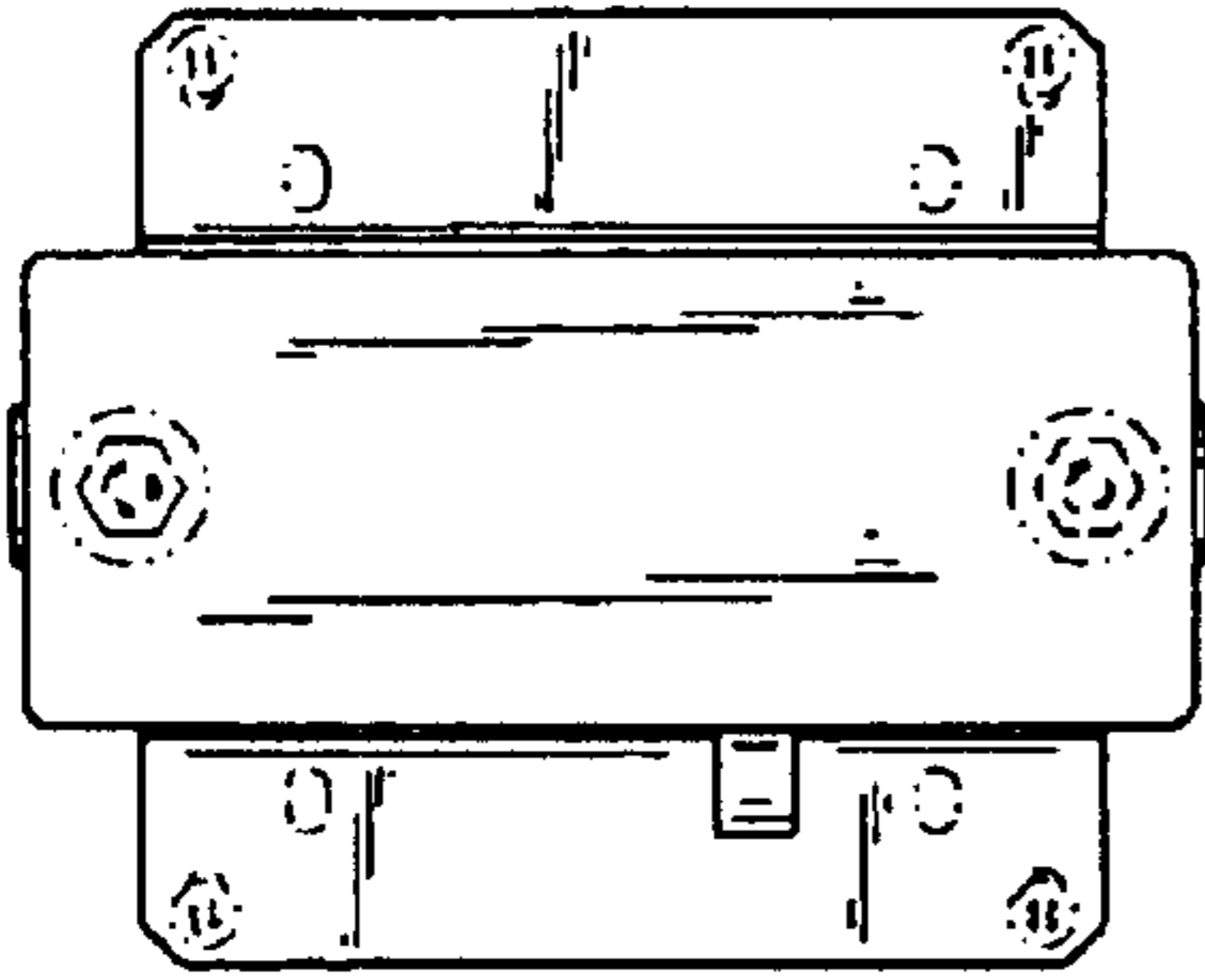


FIG. 12

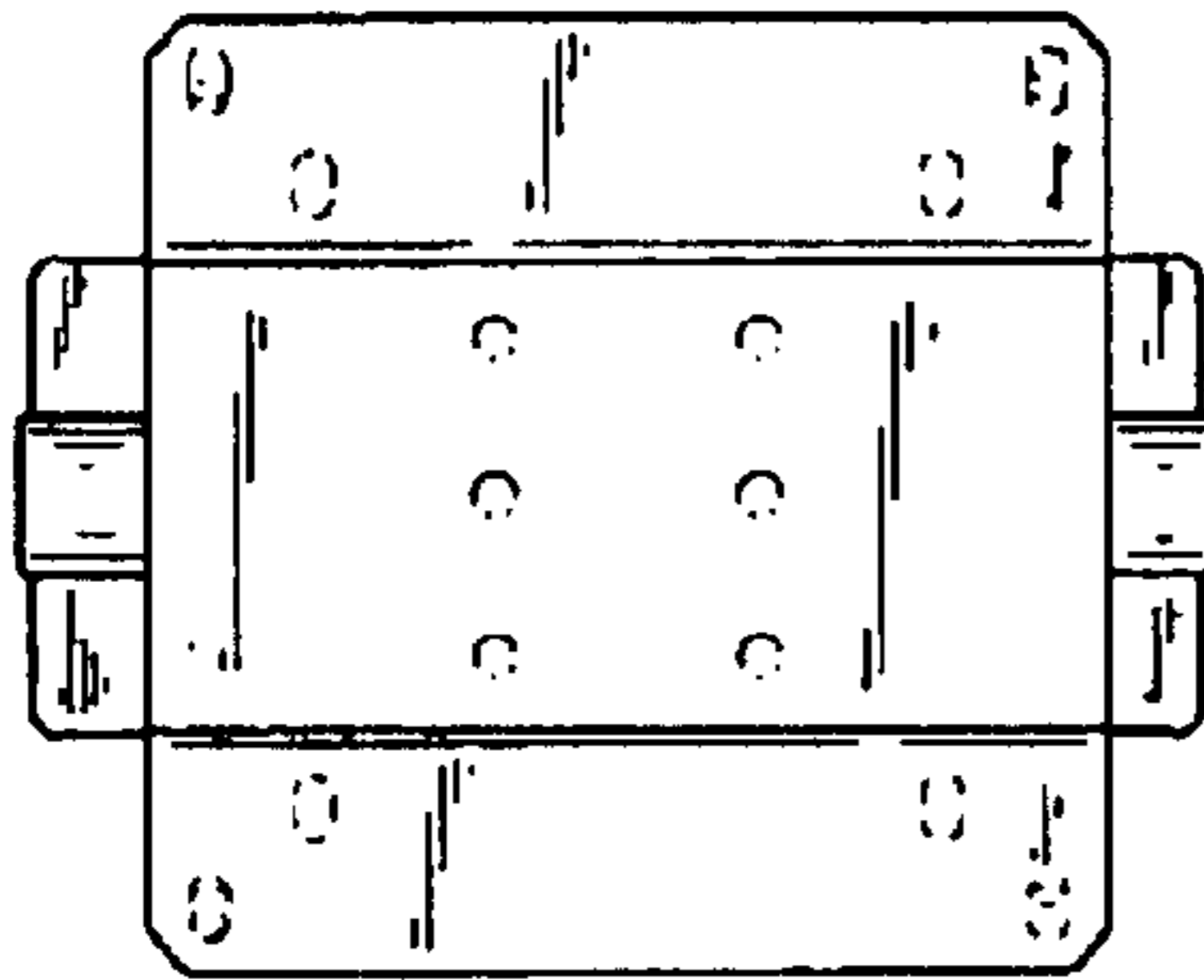


FIG. 13

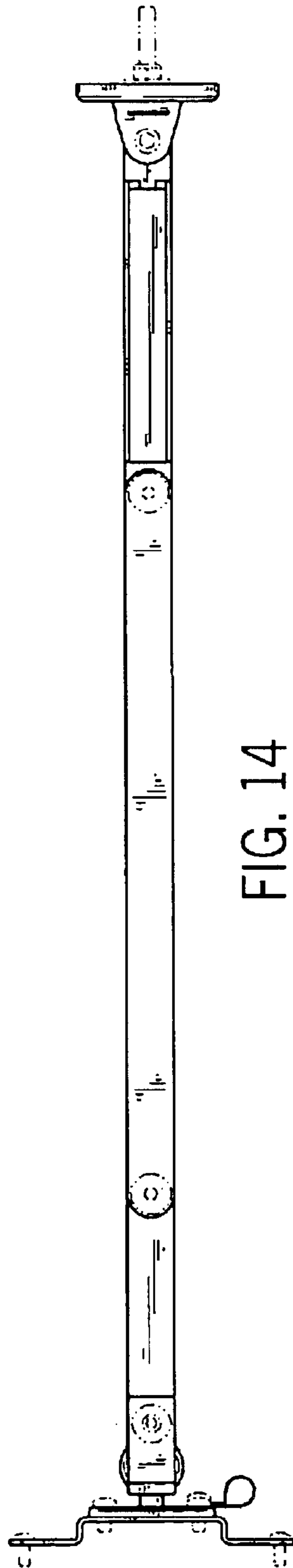


FIG. 14

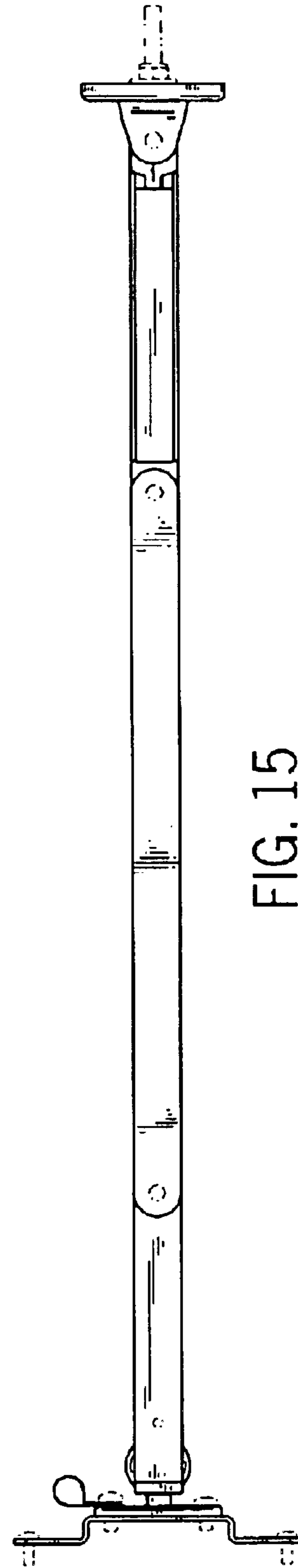


FIG. 15

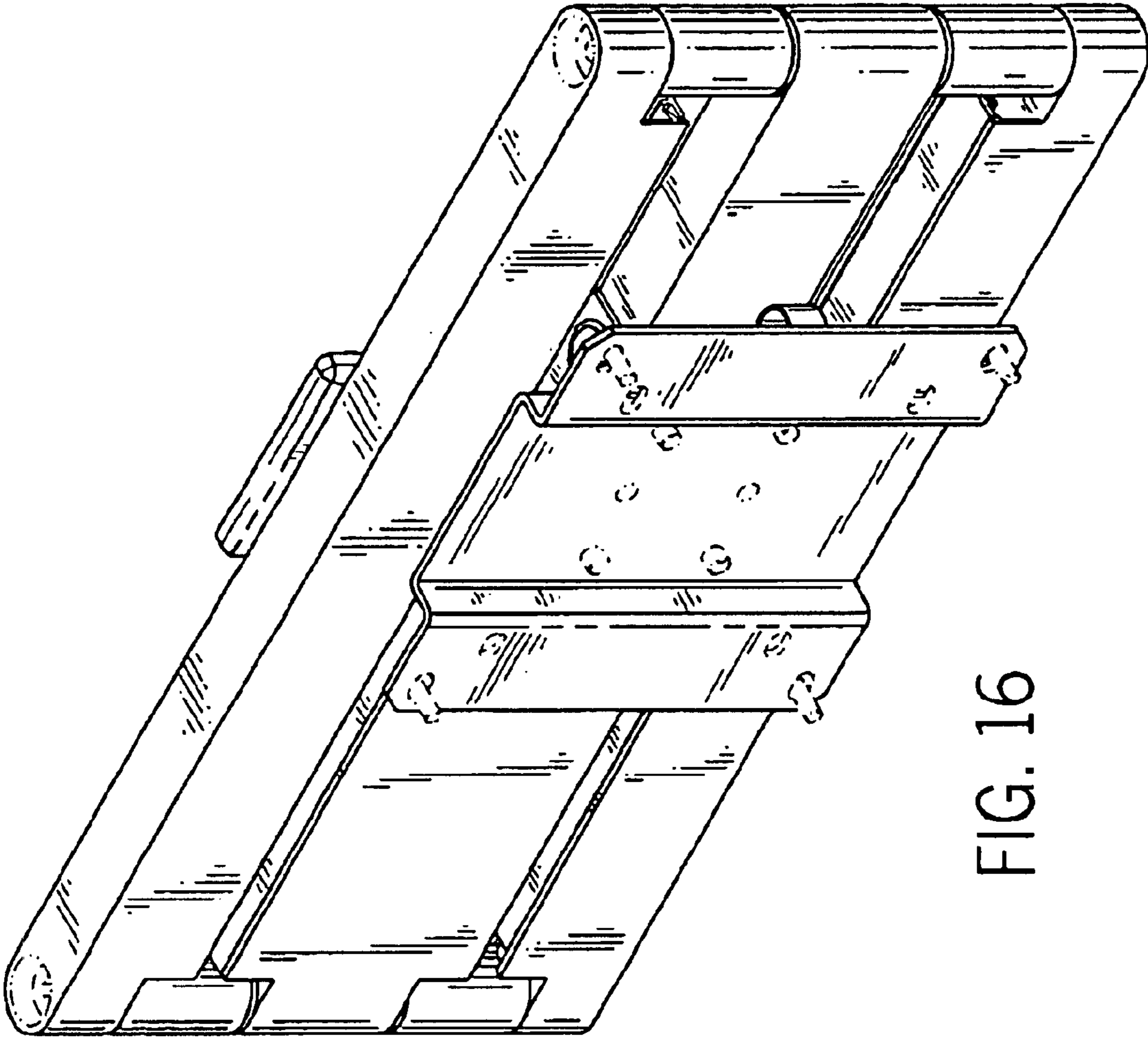


FIG. 16