

US00D505857S

(12) **United States Design Patent**
Cunningham

(10) **Patent No.:** **US D505,857 S**

(45) **Date of Patent:** **** Jun. 7, 2005**

(54) **PAIR OF MOUNTING BRACKETS**

6,345,690 B1 * 2/2002 Morris 182/136

(75) **Inventor:** **Roy Curtis Cunningham**, Belton, MO
(US)

* cited by examiner

(73) **Assignee:** **Carriage Works, Inc.**, Grandview, MO
(US)

Primary Examiner—Ruth McInroy

Assistant Examiner—Terrence Huang

(74) *Attorney, Agent, or Firm*—Shook Hardy & Bacon

(**) **Term:** **14 Years**

(57) **CLAIM**

The ornamental design for a pair of mounting brackets, as shown and described.

(21) **Appl. No.:** **29/205,209**

(22) **Filed:** **May 11, 2004**

DESCRIPTION

(51) **LOC (8) Cl.** **08-05**

FIG. 1 is a perspective view of a pair of mounting brackets showing my new design;

(52) **U.S. Cl.** **D8/354**

FIG. 2 is a front elevational view thereof;

(58) **Field of Search** D8/354, 373, 380–381;
224/155; 182/136; 100/5; 298/11; D6/114,
91, 130, 132; 211/87, 88; 248/214, 218.4

FIG. 3 is a rear elevational view thereof;

FIG. 4 is a left side elevational view thereof, the right side elevational view being a mirror image;

FIG. 5 is a bottom plan view thereof; and,

FIG. 6 is a top plan view thereof.

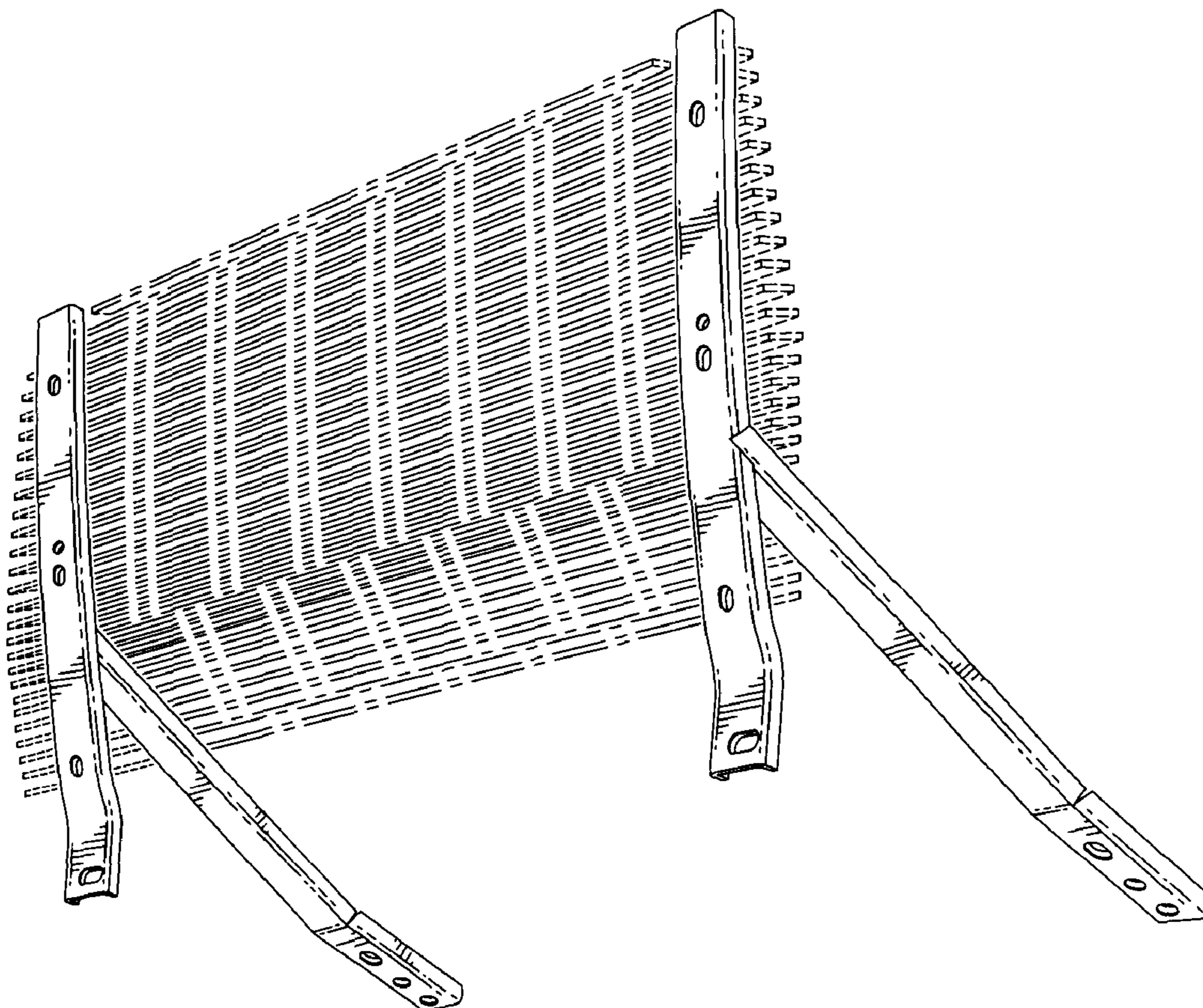
The broken line portion showing the vehicle grill is for illustrative purposes only and forms no part of the claimed design.

(56) **References Cited**

U.S. PATENT DOCUMENTS

- 3,913,473 A * 10/1975 Meiers 100/5
- D266,827 S * 11/1982 Withrow D8/373
- 4,989,766 A * 2/1991 Lewallyn et al. 224/155
- 5,299,856 A * 4/1994 Grosz 298/11
- 5,492,198 A * 2/1996 Williams 182/136

1 Claim, 3 Drawing Sheets



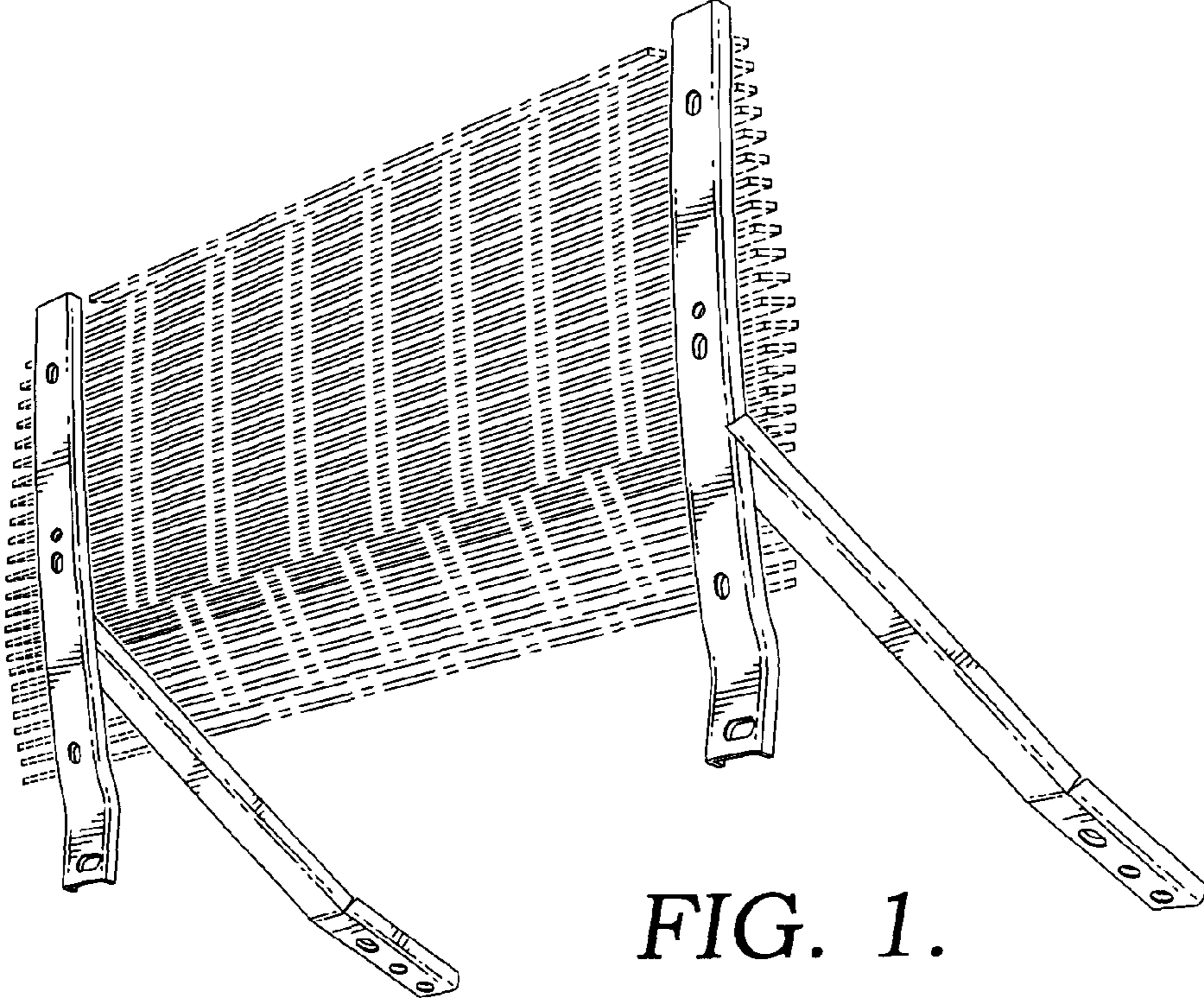


FIG. 1.

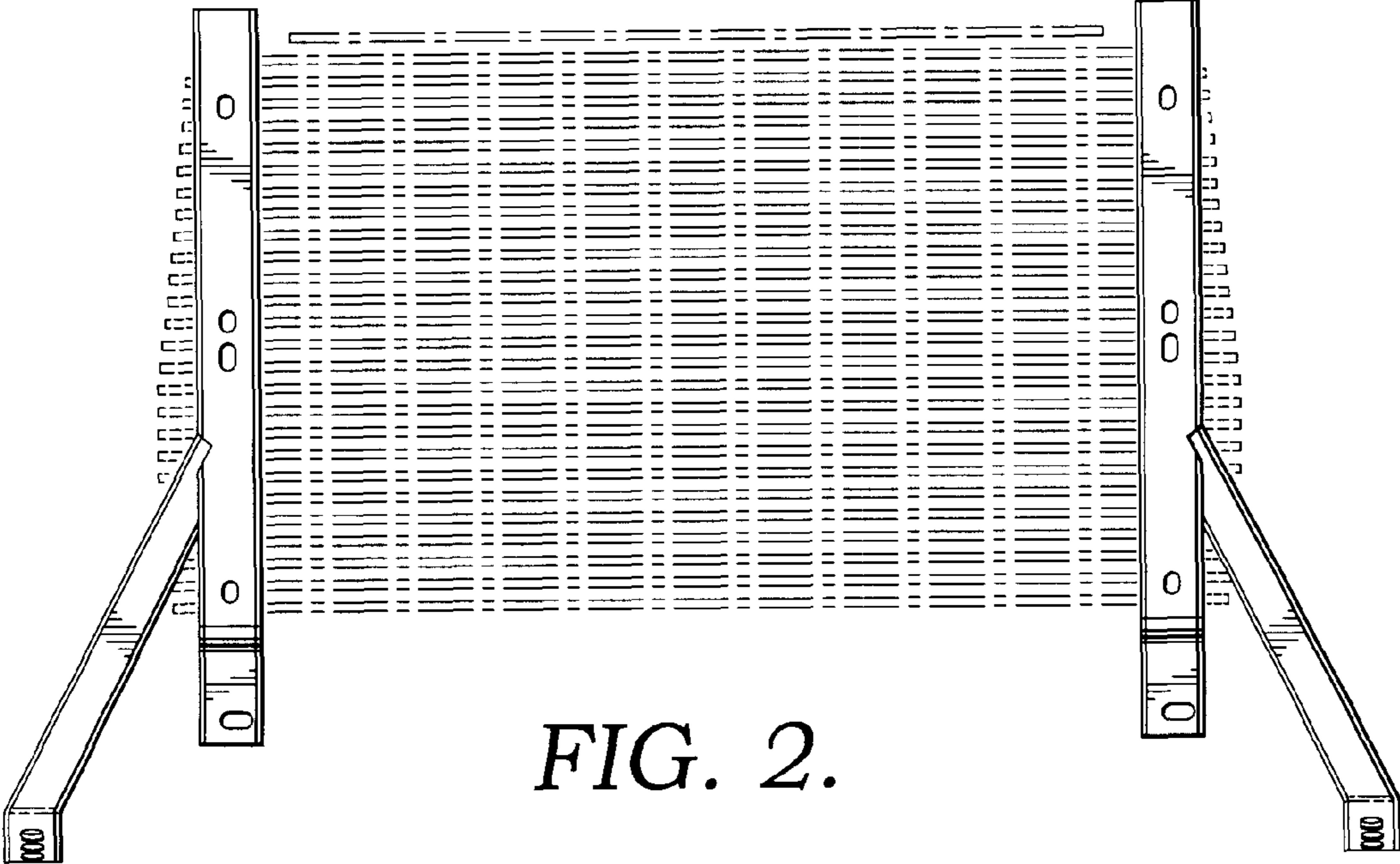


FIG. 2.

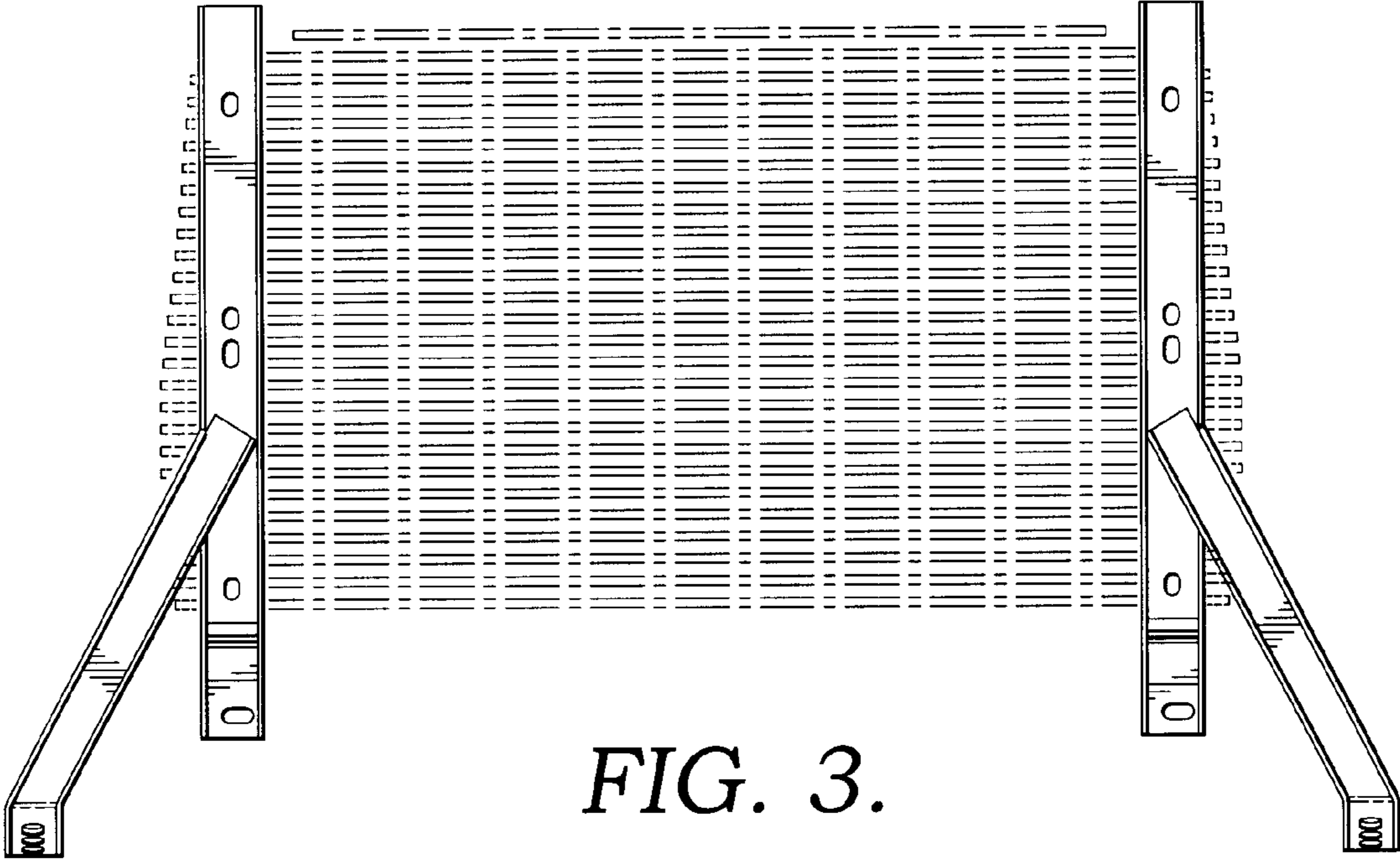


FIG. 3.

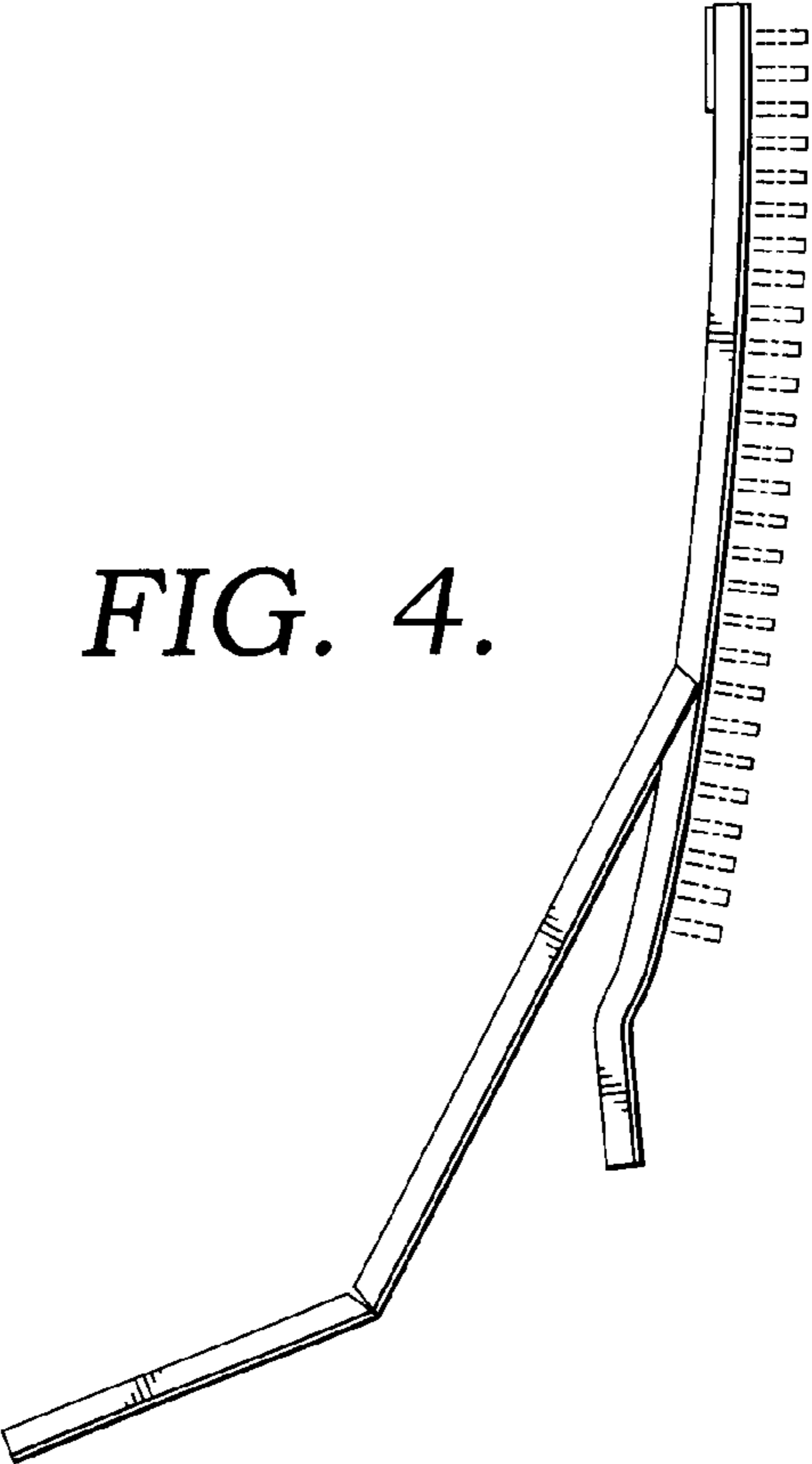


FIG. 4.

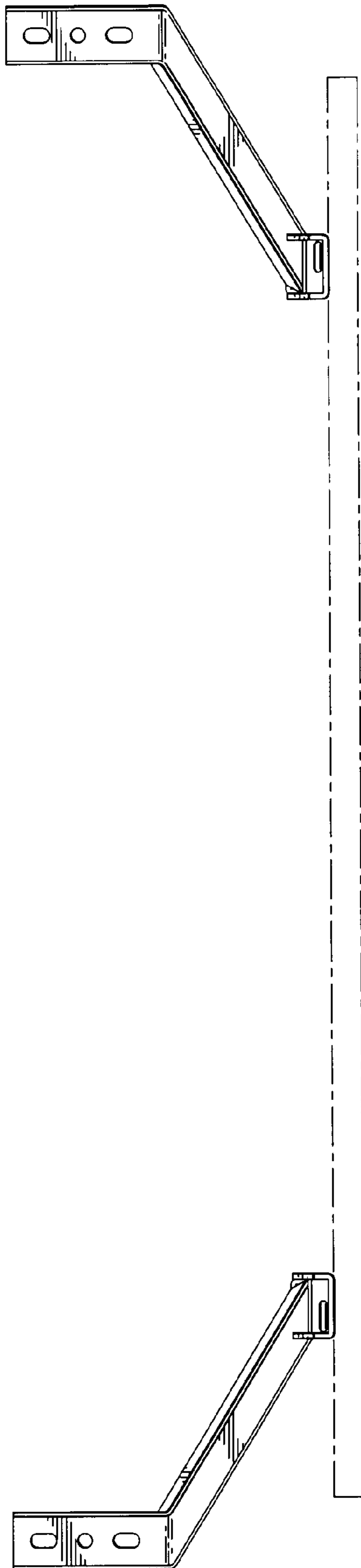


FIG. 5.

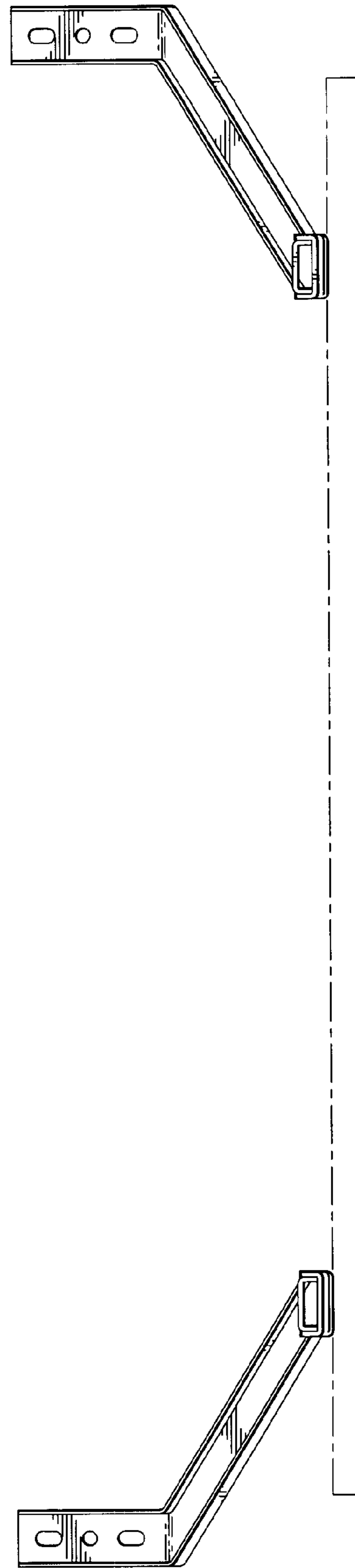


FIG. 6.