

US00D505854S

(12) **United States Design Patent**
Wyers

(10) **Patent No.:** **US D505,854 S**
(45) **Date of Patent:** **** Jun. 7, 2005**

(54) **COUPLER LEVER LOCK**

6,588,810 B1 * 7/2003 Monneret 292/200

(76) **Inventor:** **Philip W. Wyers**, 14705 E. Aberdon
Ave., Centennial, CO (US) 80016

* cited by examiner

Primary Examiner—Prabhakar Deshmukh

(**) **Term:** **14 Years**

(57) **CLAIM**

(21) **Appl. No.:** **29/192,233**

The ornamental design for a coupler lever lock, as shown
and described.

(22) **Filed:** **Oct. 20, 2003**

DESCRIPTION

(51) **LOC (8) Cl.** **08-07**

(52) **U.S. Cl.** **D8/343**

(58) **Field of Search** D8/330, 331, 336,
D8/343, 344; 70/14, 20, 21, 22, 51, 52,
57, 58, 218, 271, 431, 254; 292/288, 200,
113, 118, 66, 97

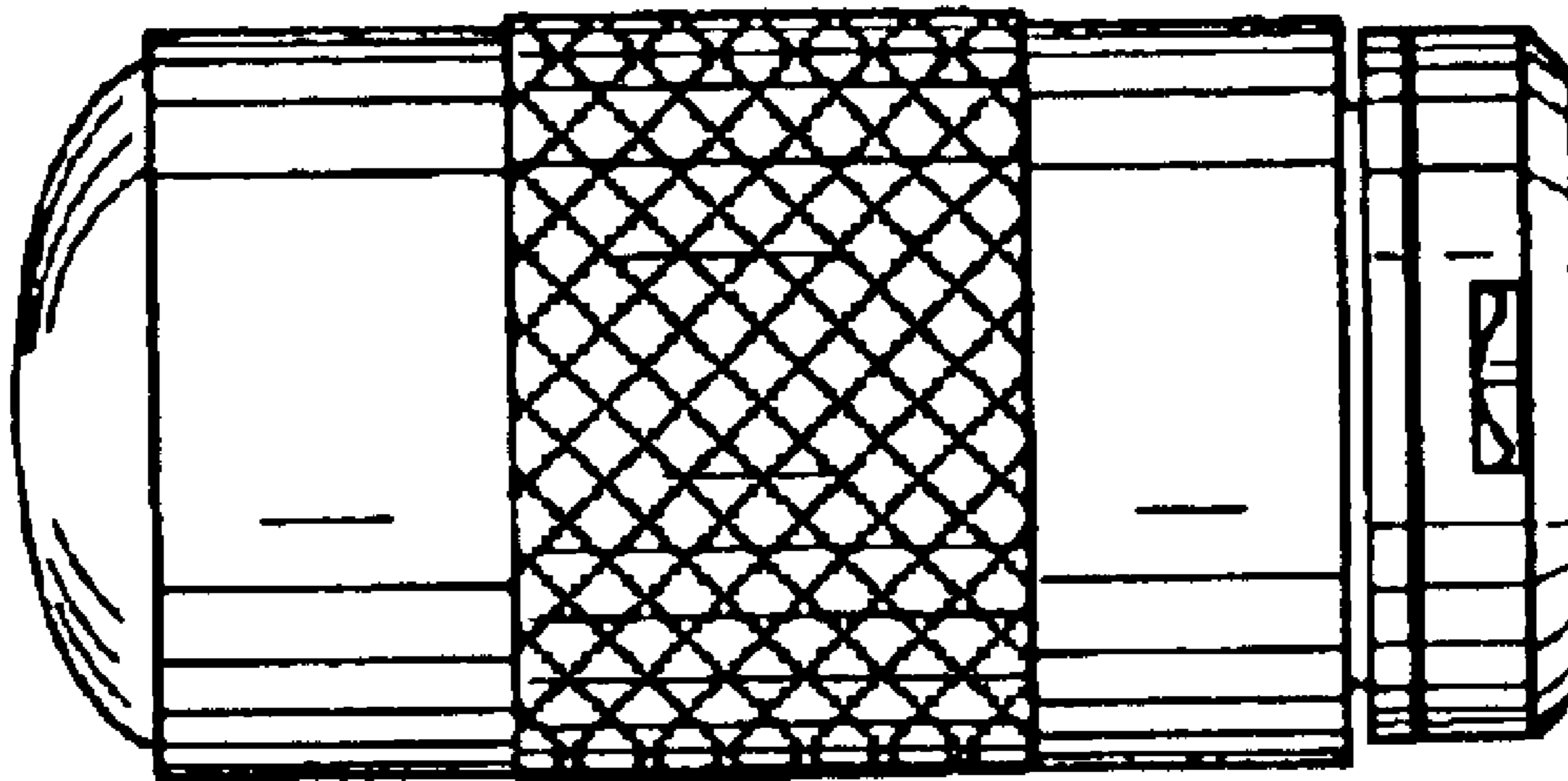
FIG. 1 is perspective view of a coupler lever lock showing
my new design, shown in its environmental use;
FIG. 2 is a perspective view thereof;
FIG. 3 is rear elevational view thereof;
FIG. 4 is a right side elevational view thereof;
FIG. 5 is a bottom plan view thereof;
FIG. 6 is a left side elevational view thereof;
FIG. 7 is a front elevational; view thereof;
FIG. 8 is a top, left and front perspective thereof, shown in
an unlocked position with the cap separated from the lock;
and,
FIG. 9 is a top plan view thereof, of FIG. 8.
The broken lines are for illustrative purpose only and form
no part of the claimed design.

(56) **References Cited**

U.S. PATENT DOCUMENTS

3,888,526	A	*	6/1975	Dennis	292/97
D244,020	S	*	4/1977	Hanson et al.	D15/148
D293,077	S	*	12/1987	Wickman et al.	D8/343
D330,153	S	*	10/1992	Jakubas	D8/343
5,638,712	A	*	6/1997	Kuroda	70/268
6,039,363	A	*	3/2000	Sugimura et al.	292/202
6,377,005	B1	*	4/2002	Zintler et al.	318/9
6,397,644	B1	*	6/2002	Gidding	70/18

1 Claim, 3 Drawing Sheets



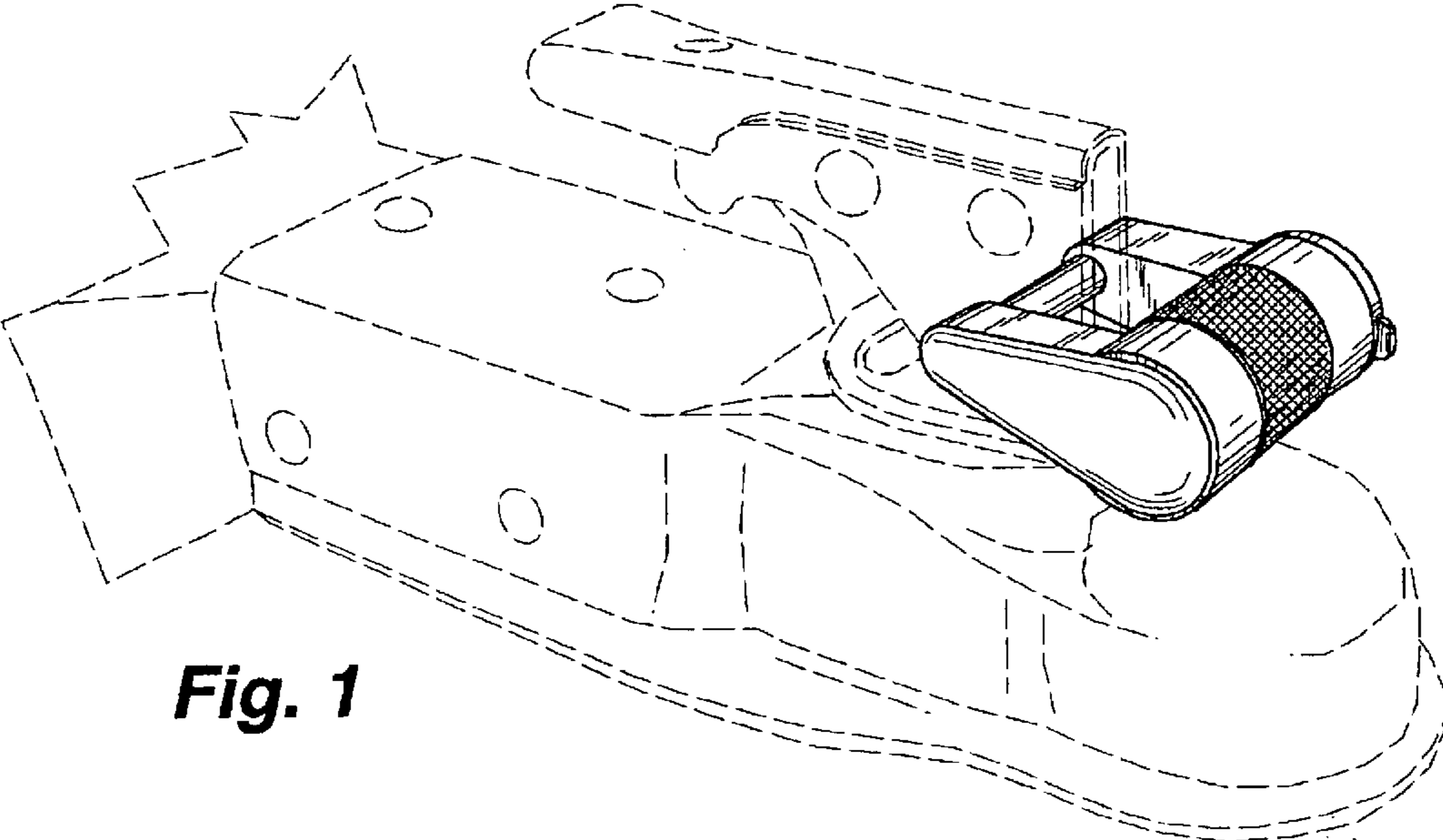


Fig. 1

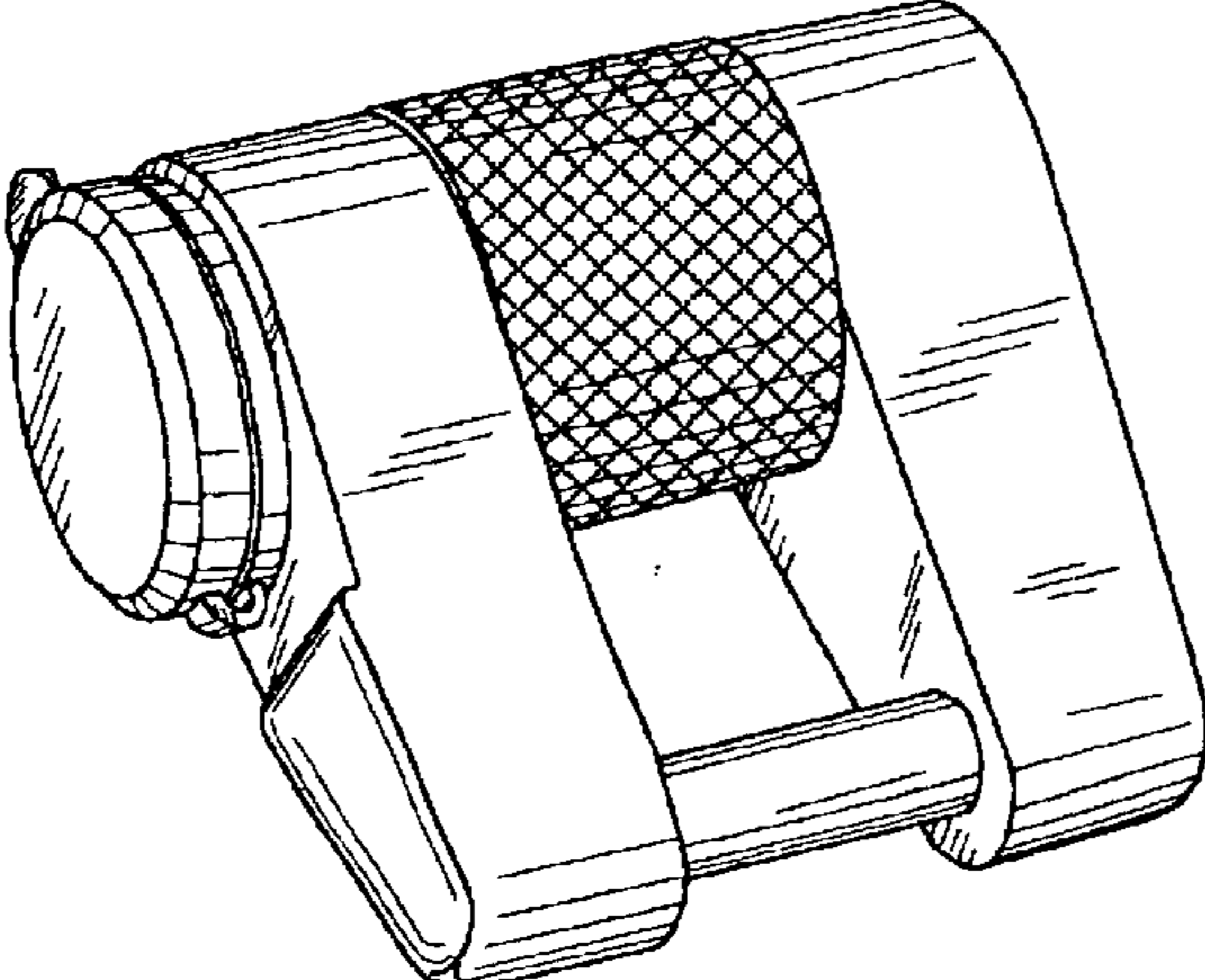


Fig. 2

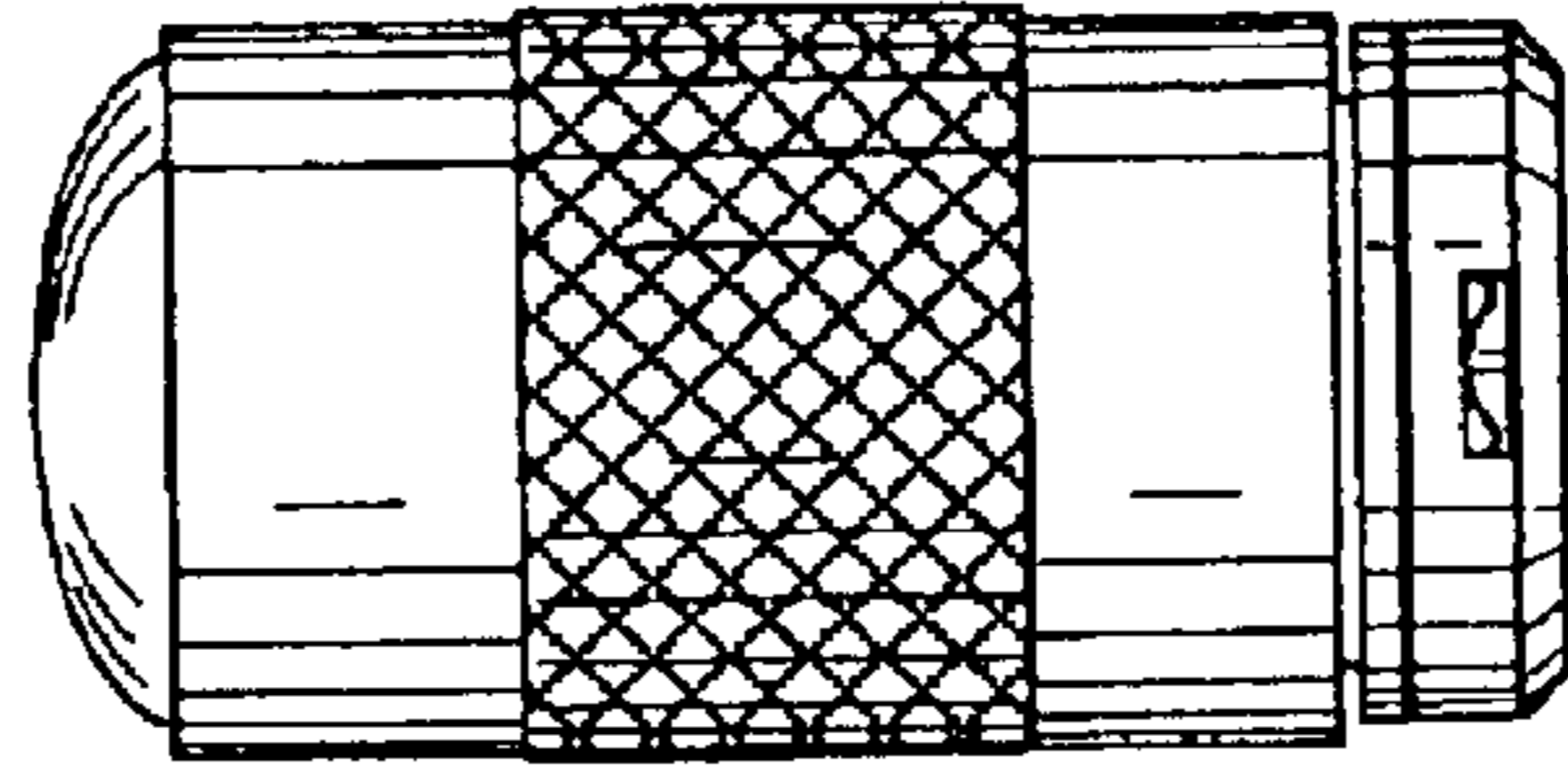


Fig. 3

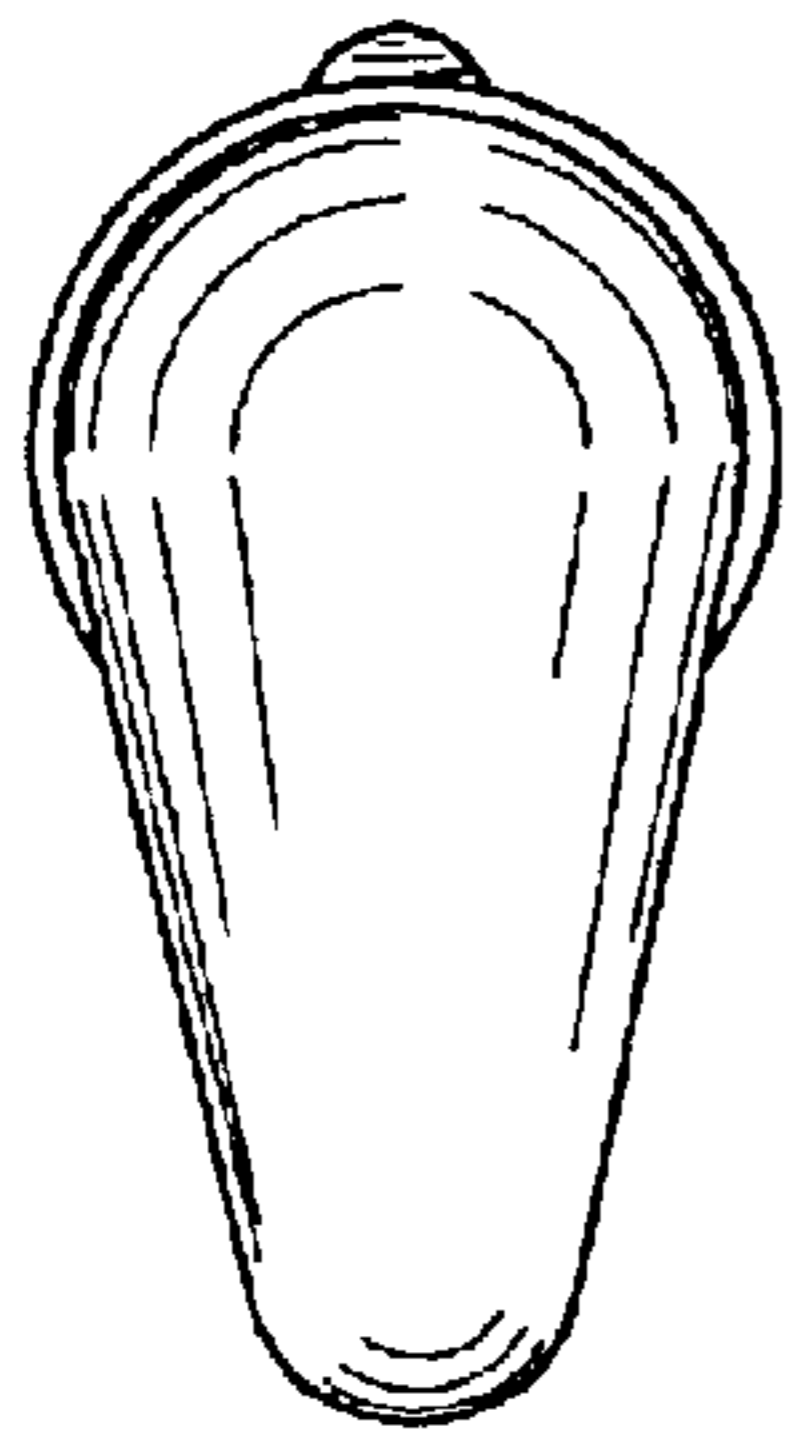


Fig. 4

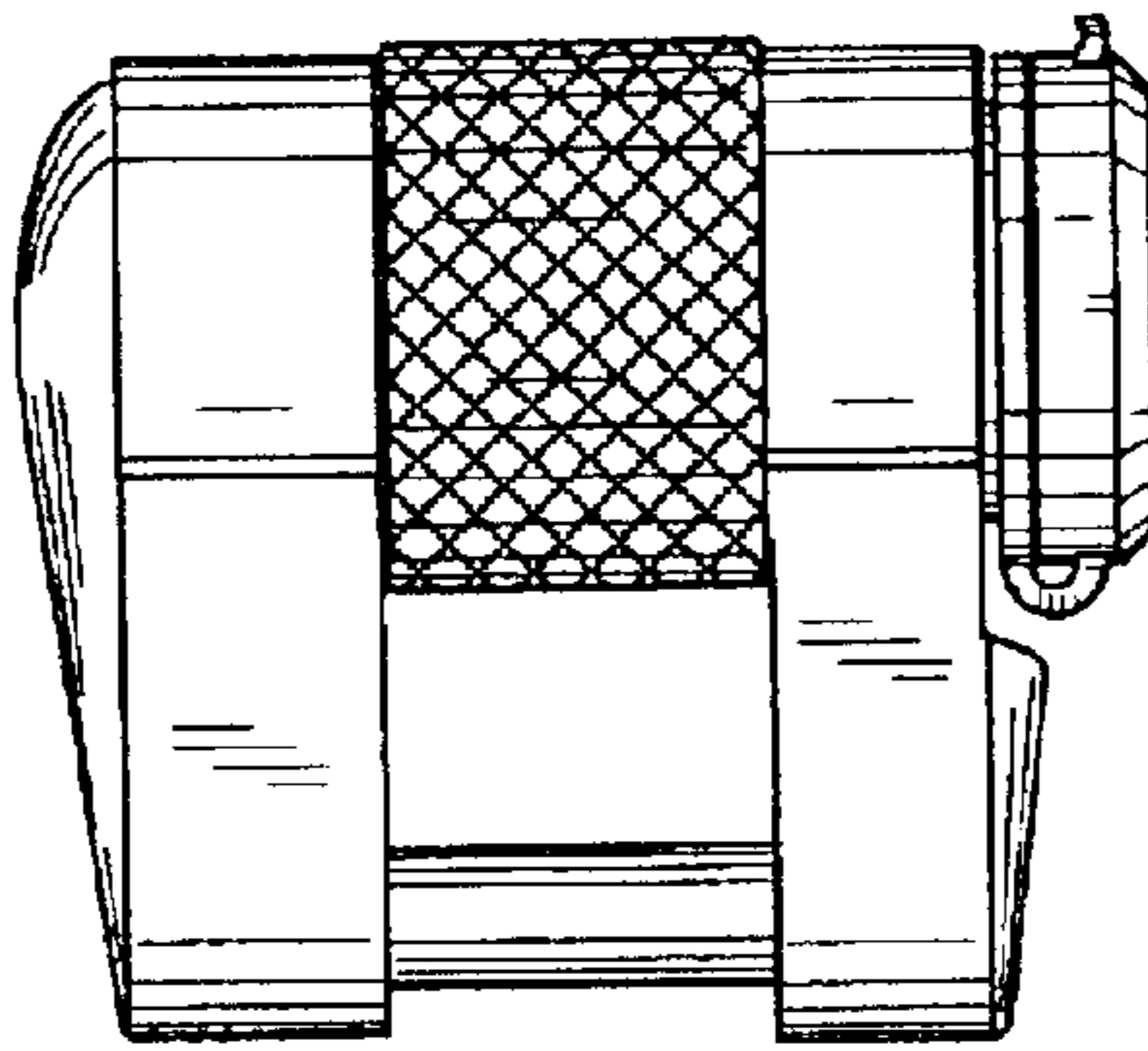


Fig. 5

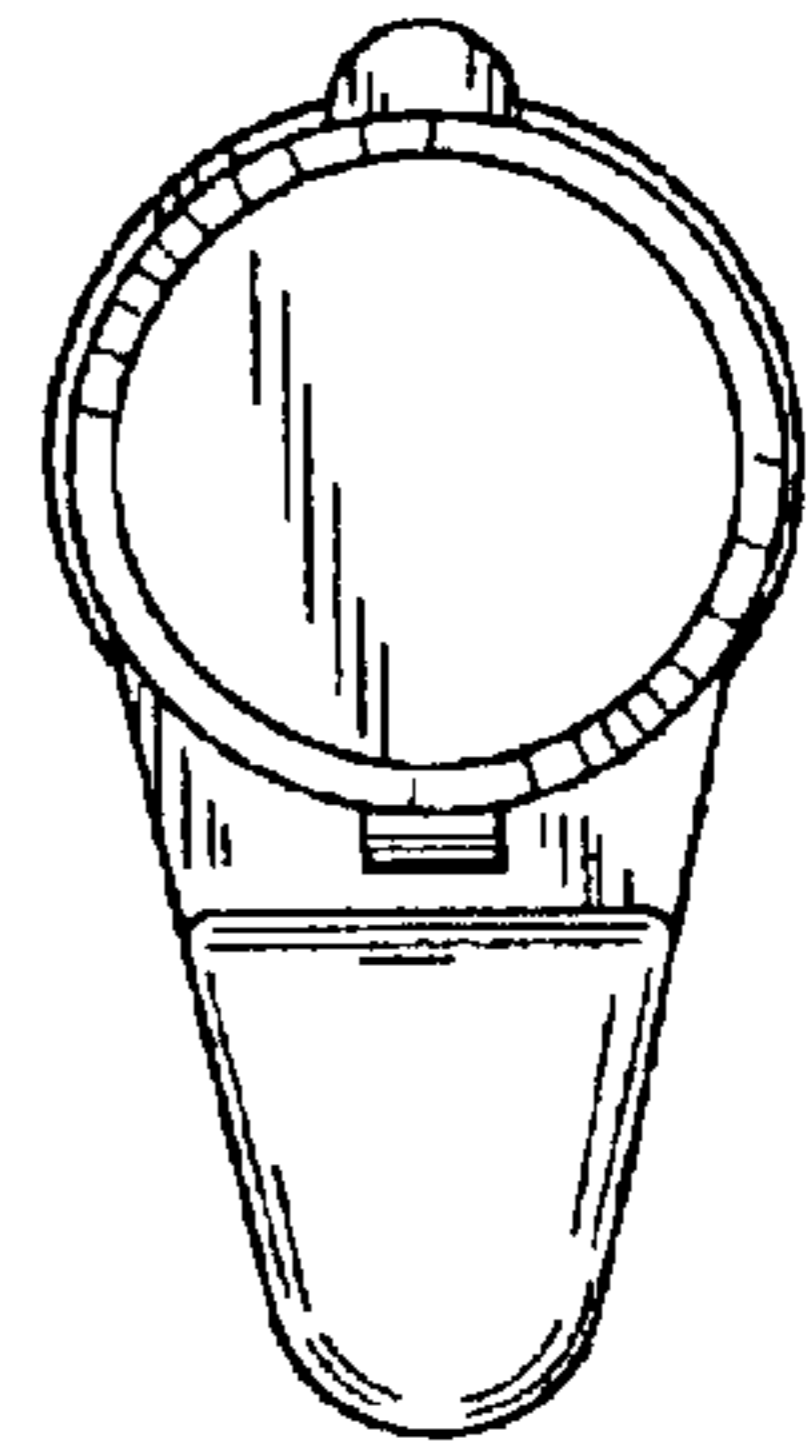


Fig. 6

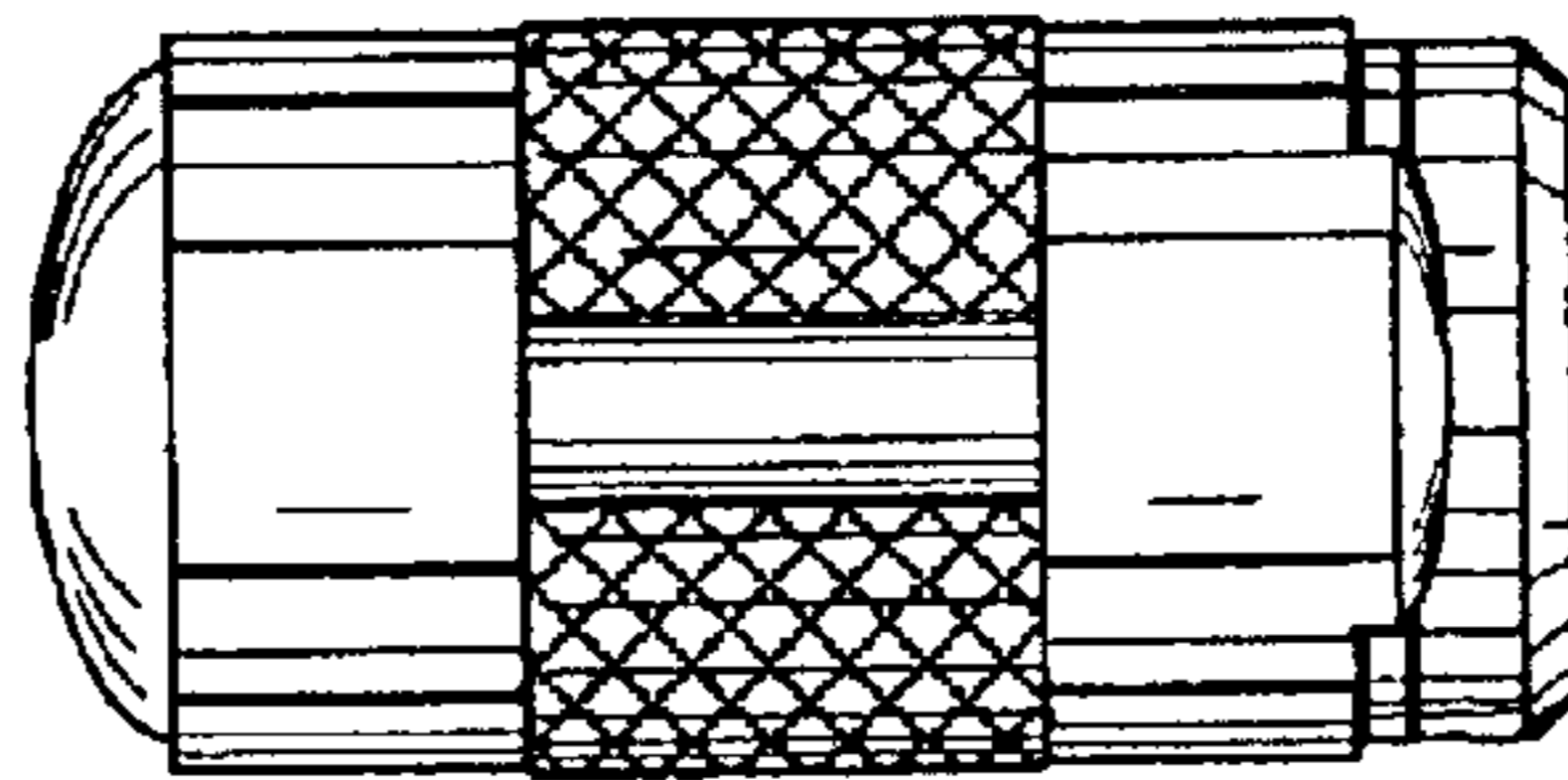


Fig. 7

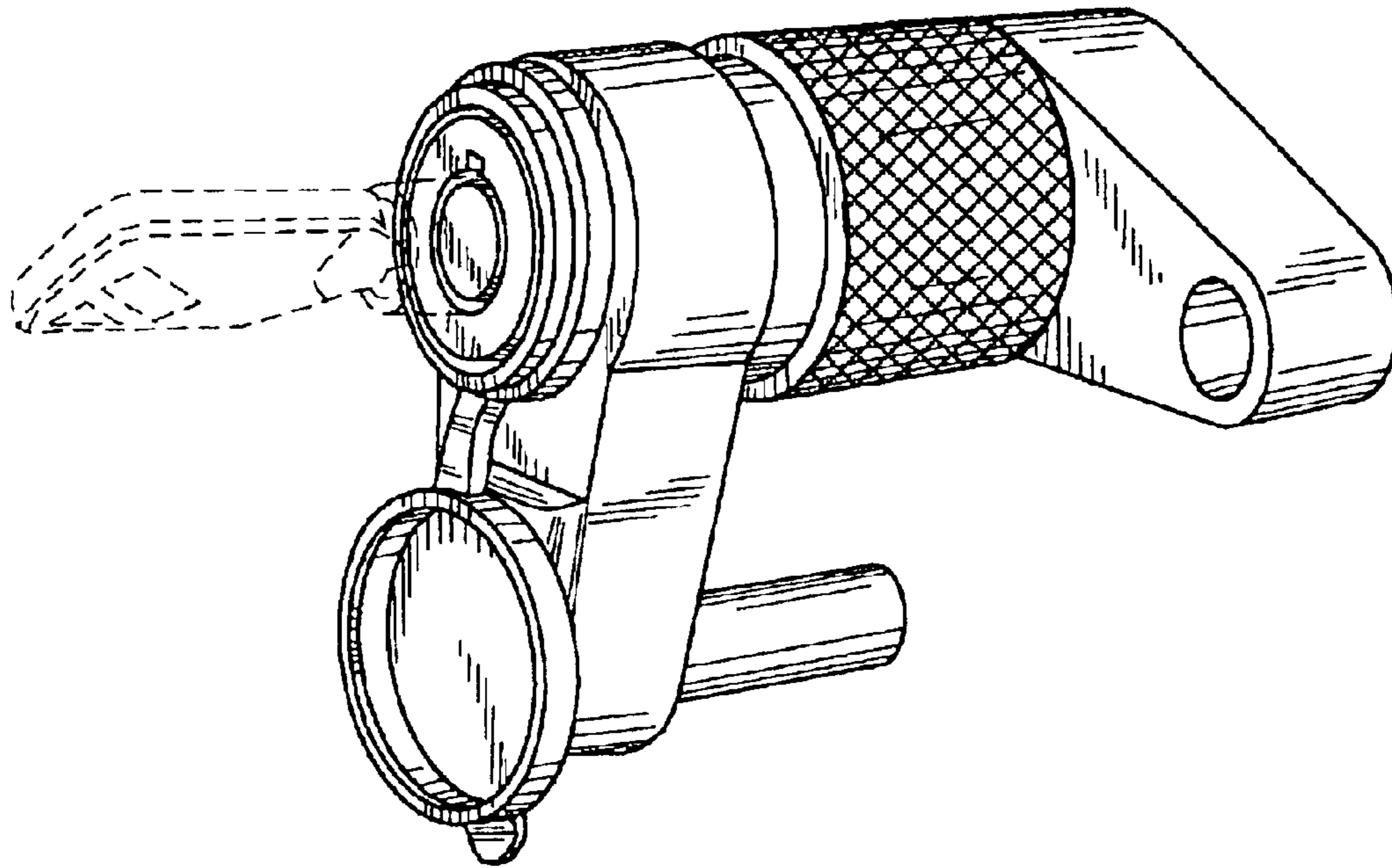


Fig. 8

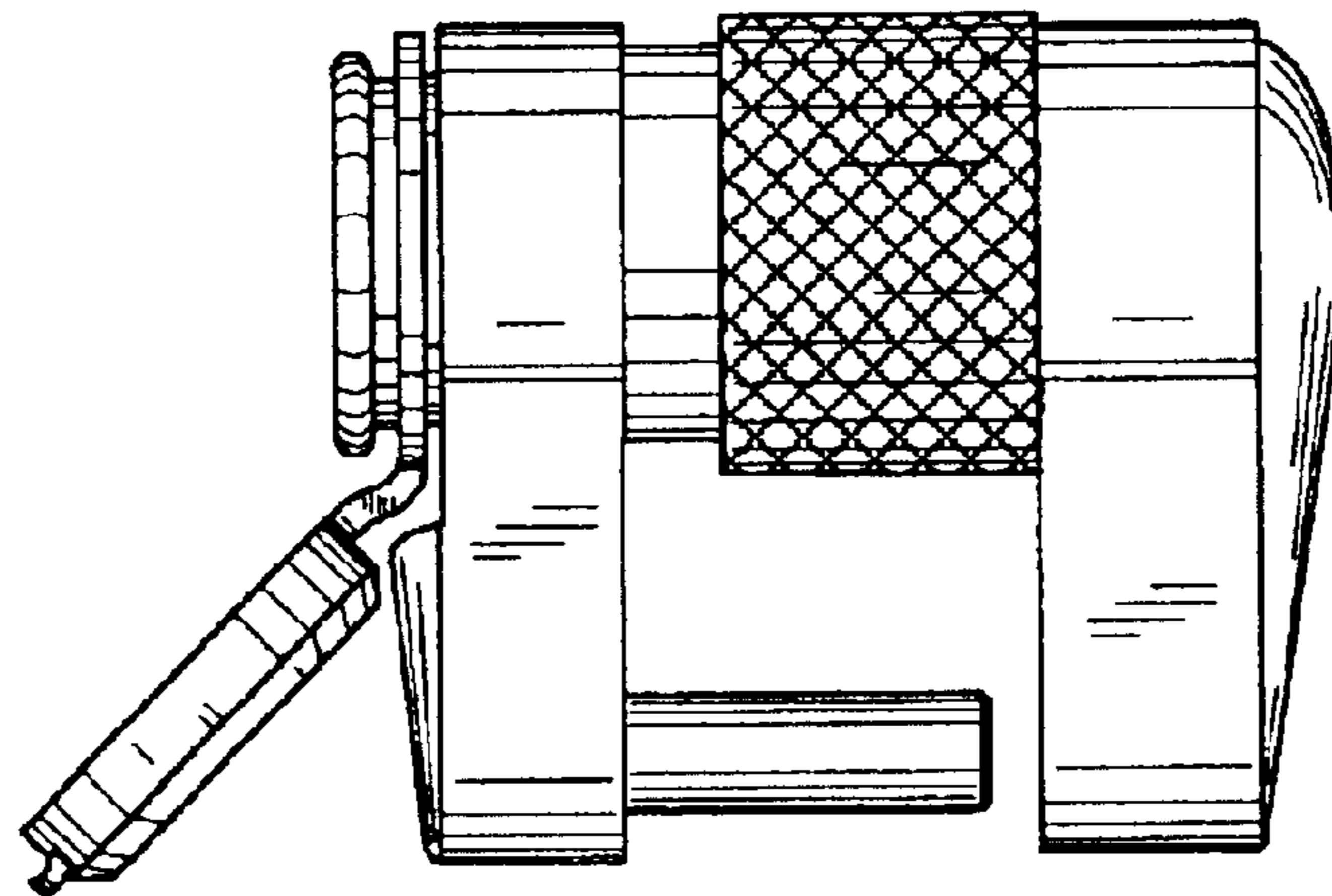


Fig. 9