

US00D505853S

(12) **United States Design Patent**
Ling et al.

(10) **Patent No.: US D505,853 S**

(45) **Date of Patent: ** Jun. 7, 2005**

(54) **LOCK HOUSING**

D495,580 S * 9/2004 Ho D8/334
D498,132 S * 11/2004 Lai D8/334

(75) Inventors: **Renny Tse-Haw Ling**, Chung-Ho (TW); **Cheng-Horng Wu**, Chung-Ho (TW)

* cited by examiner

Primary Examiner—Prabhakar Deshmukh

(73) Assignee: **Sinox Co., Ltd.**, Taipei Hsien (TW)

(74) *Attorney, Agent, or Firm*—Troxell Law Office, PLLC

(**) Term: **14 Years**

(57) **CLAIM**

The ornamental design for a lock housing, as shown and described.

(21) Appl. No.: **29/195,321**

(22) Filed: **Dec. 10, 2003**

DESCRIPTION

(51) **LOC (8) Cl.** **08-07**

FIG. 1 is a perspective view of a lock housing showing my design;

(52) **U.S. Cl.** **D8/334**

FIG. 2 is a front elevation view thereof;

(58) **Field of Search** D8/330, 331, 333, D8/334, 343; 70/14, 20, 22, 30, 49, 51, 52-58, 233, DIG. 71

FIG. 3 is a rear elevation view thereof;

FIG. 4 is a left side elevation view thereof;

FIG. 5 is a right side elevation view thereof;

FIG. 6 is a top plan view thereof;

FIG. 7 is a bottom plan view thereof; and,

FIG. 8 is a perspective view thereof, shown in it's environmental use.

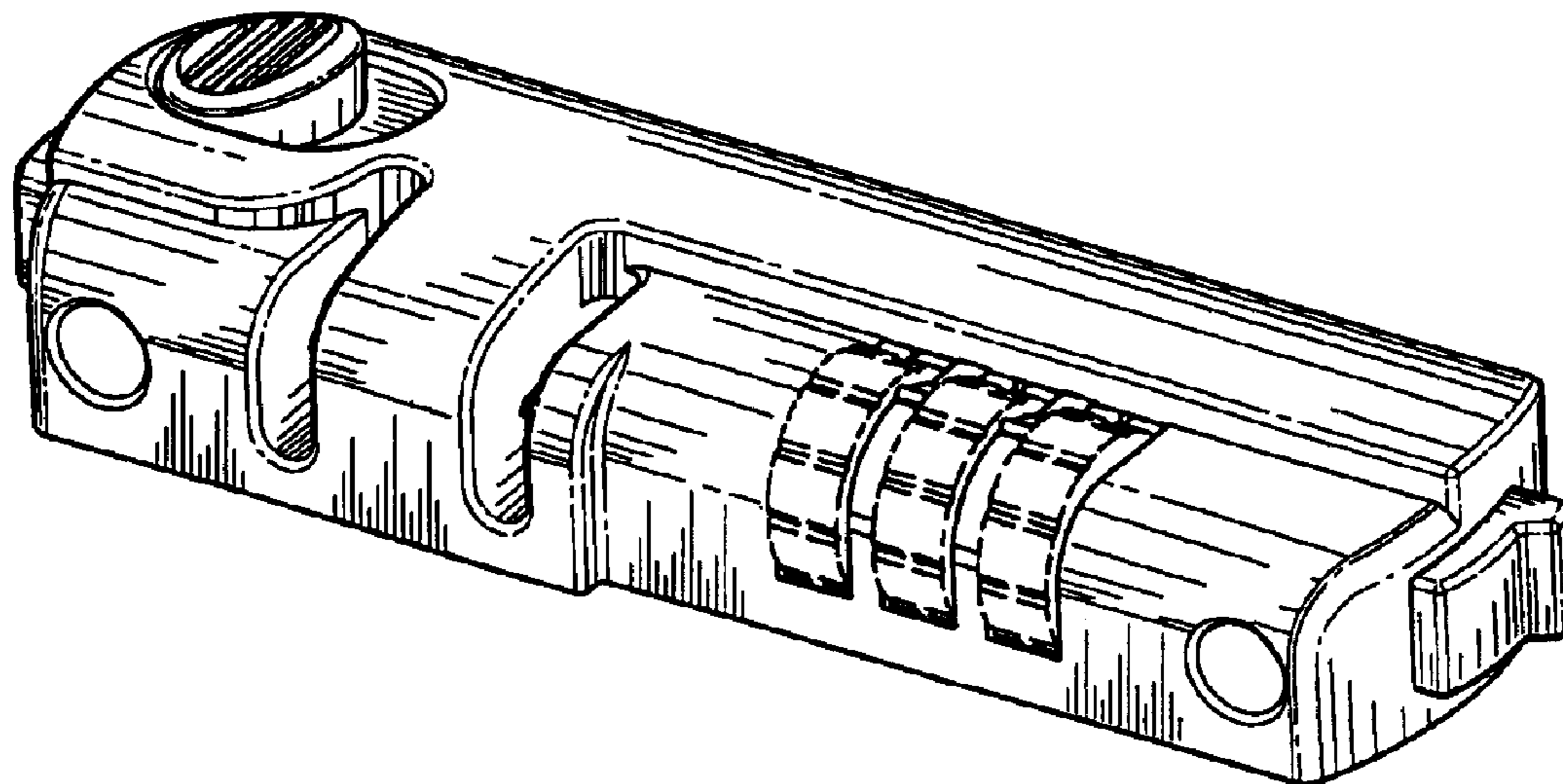
(56) **References Cited**

U.S. PATENT DOCUMENTS

D346,948 S	*	5/1994	Pedlar	D8/334
5,488,844 A	*	2/1996	Winner	70/18
5,901,586 A	*	5/1999	Hale	70/18
D439,825 S	*	4/2001	Lai	D8/334
D477,525 S	*	7/2003	Ling	D8/330
D483,647 S	*	12/2003	Lo	D8/333

The portion of the Figure shown in broken lines are not part of the claimed design but are for illustration only.

1 Claim, 5 Drawing Sheets



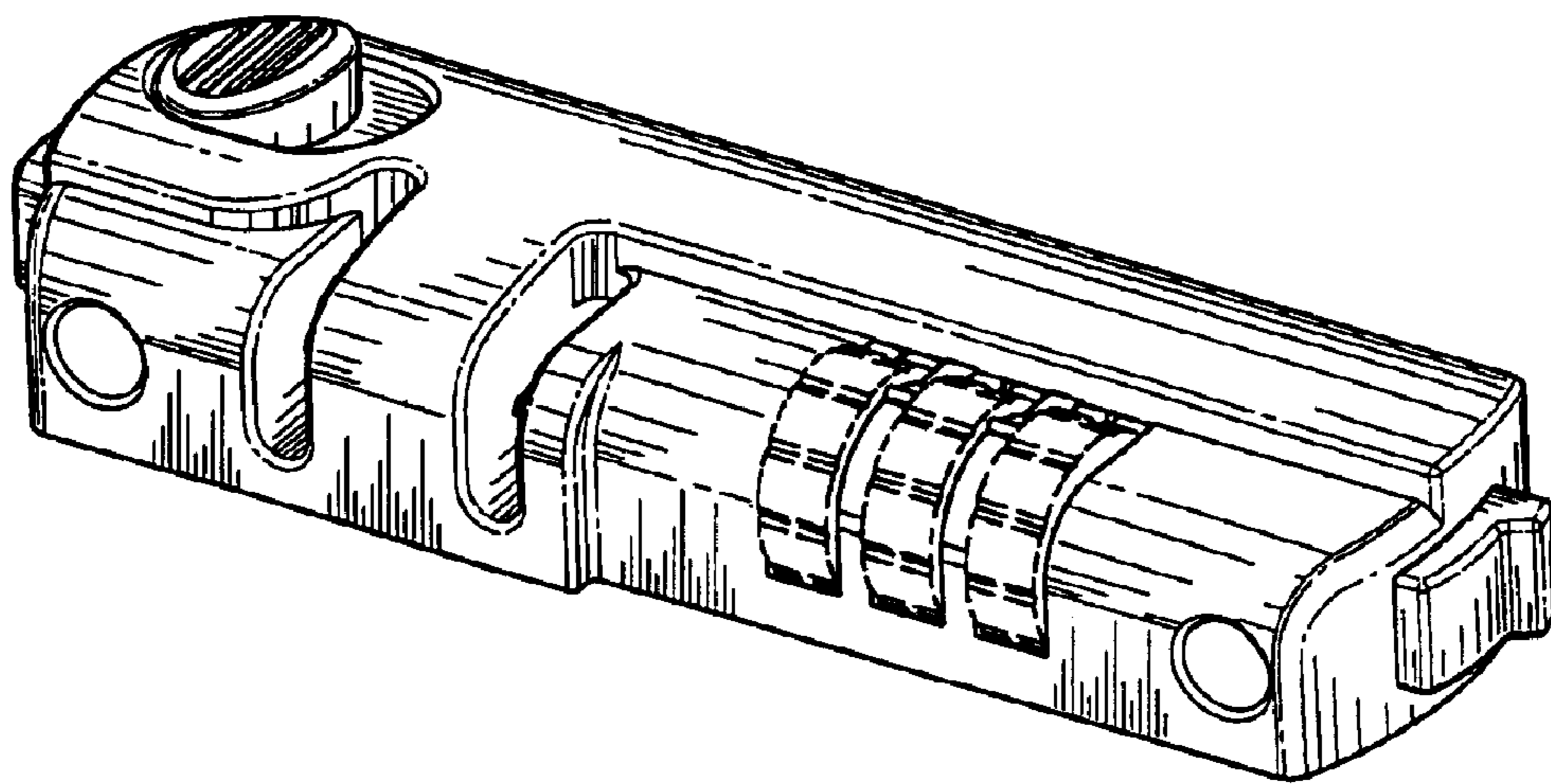


FIG.1

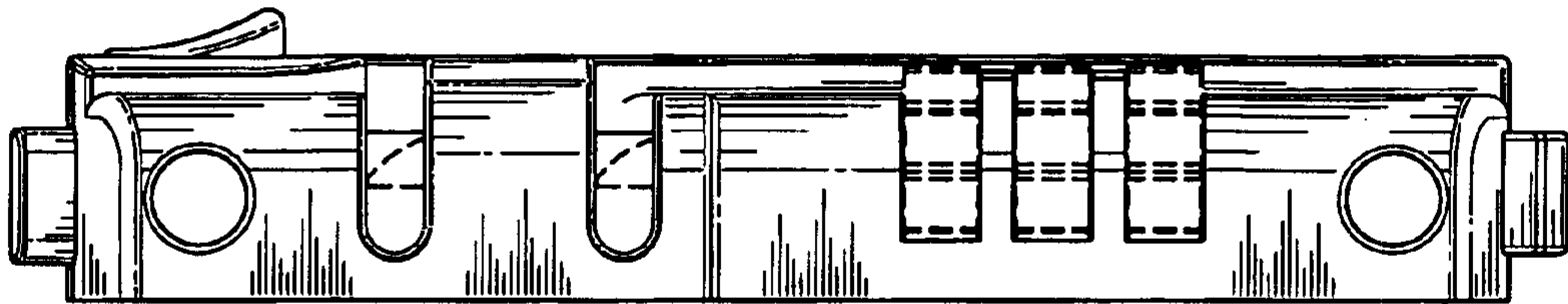


FIG. 2

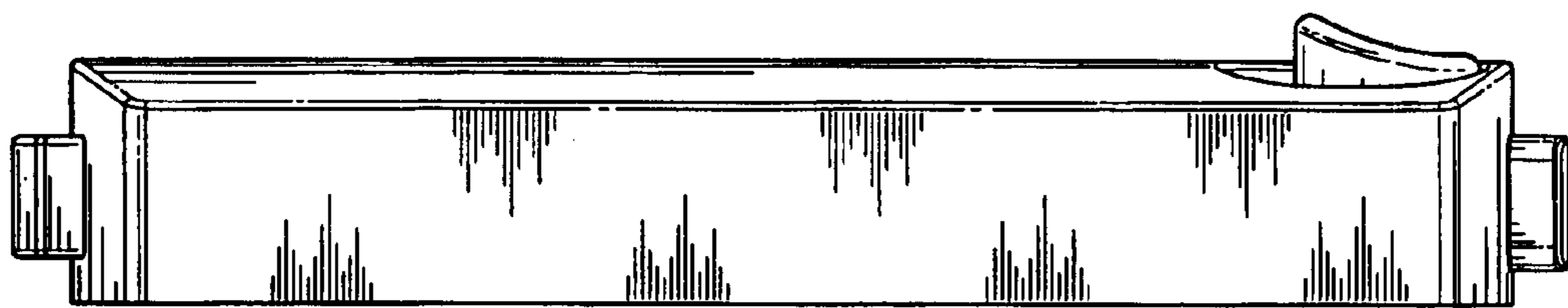


FIG. 3

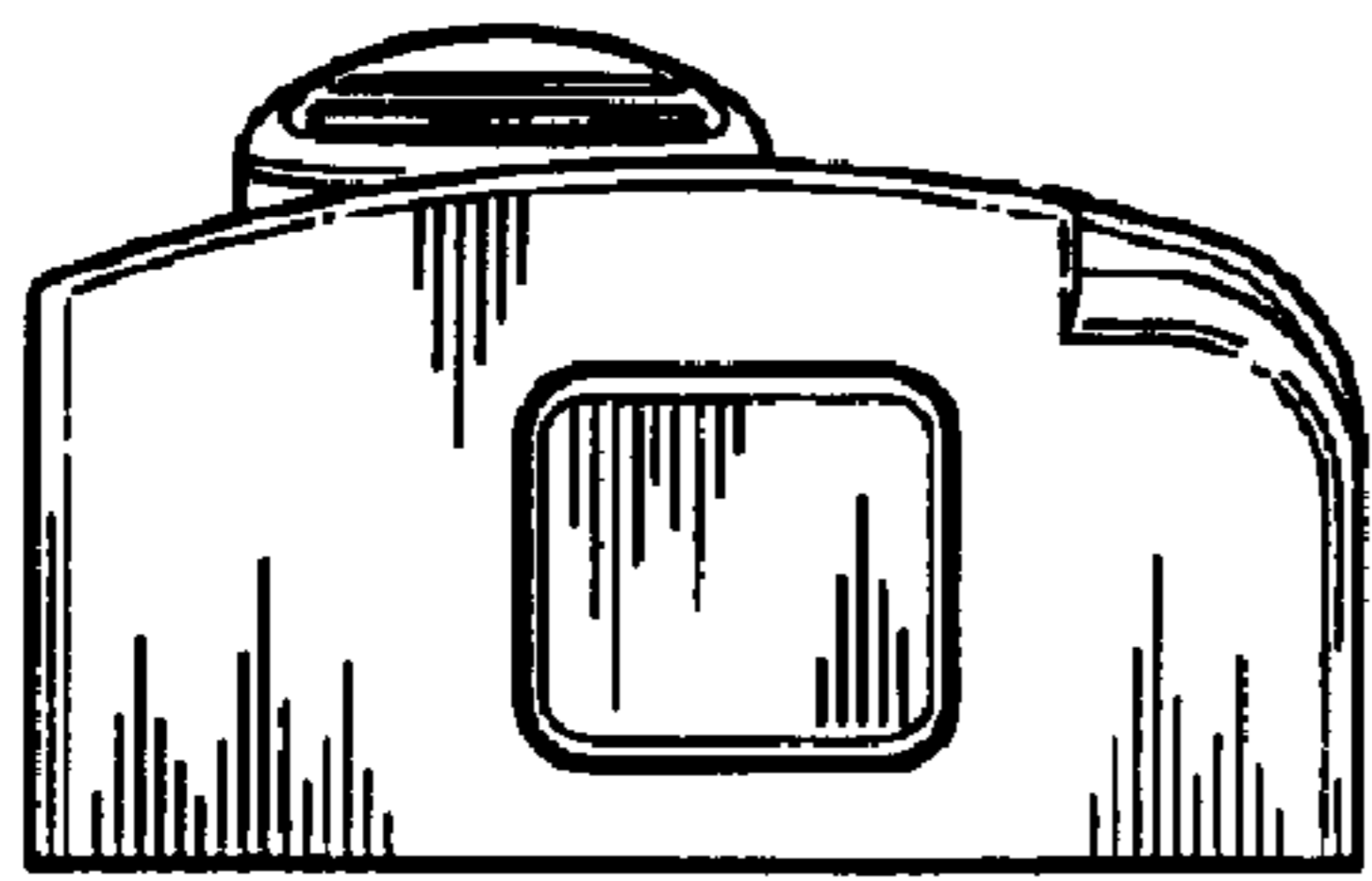


FIG. 4

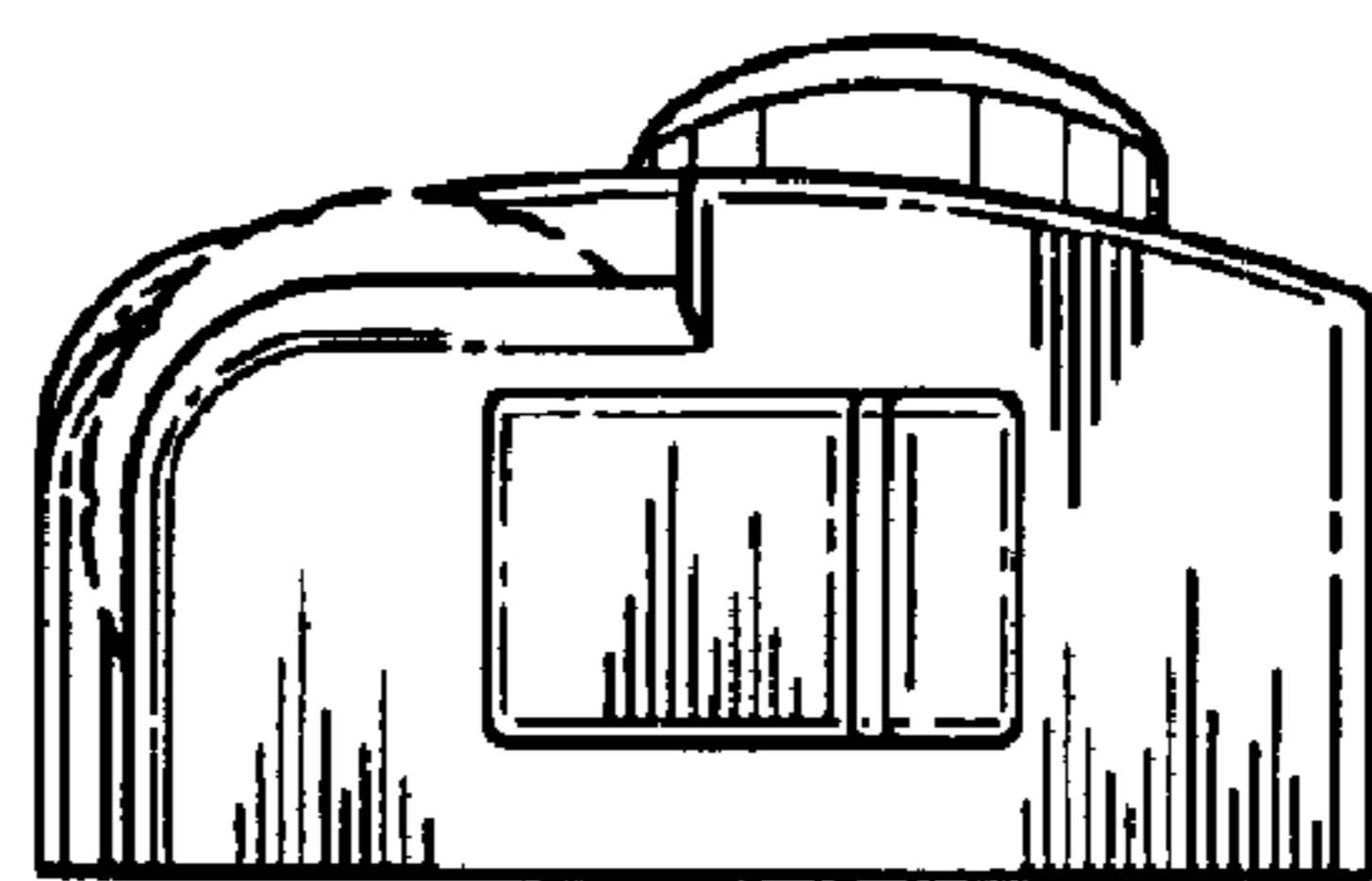


FIG. 5

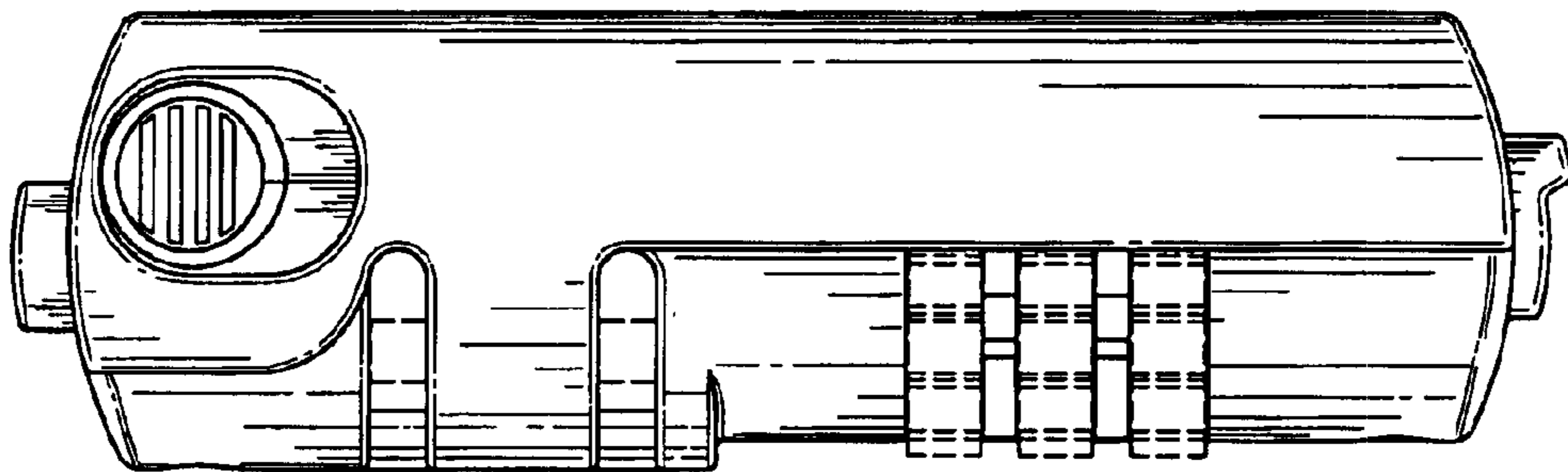


FIG. 6



FIG. 7

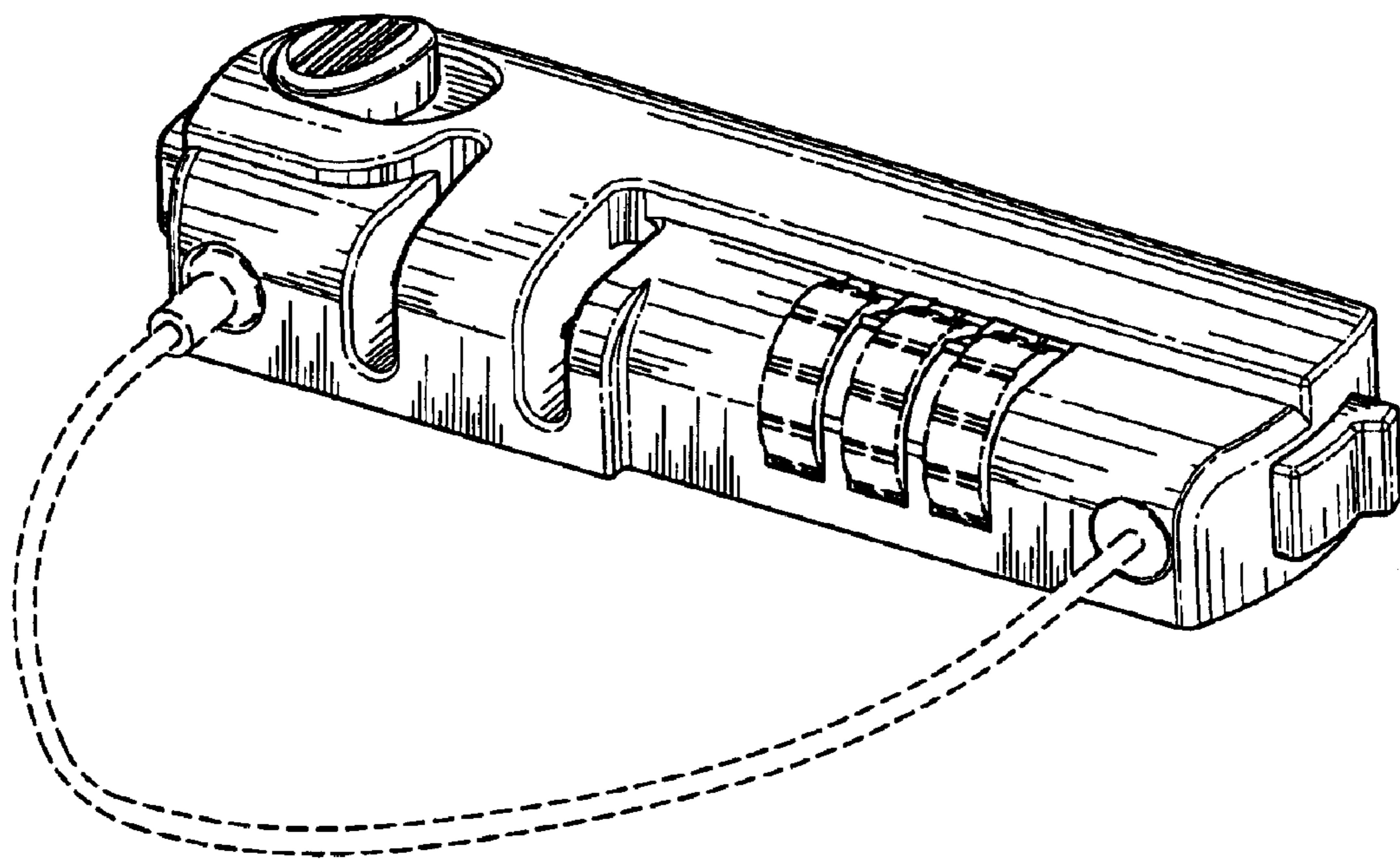


FIG.8