

US00D505852S

(12) **United States Design Patent**  
**Kuroyanagi et al.**

(10) **Patent No.: US D505,852 S**

(45) **Date of Patent: \*\* Jun. 7, 2005**

(54) **PORTABLE SCREW CUTTER**

D436,511 S \* 1/2001 Hayakawa et al. .... D8/68  
D481,602 S \* 11/2003 Hattori ..... D8/69  
D492,560 S \* 7/2004 Refson ..... D8/61

(75) Inventors: **Takao Kuroyanagi**, Anjo (JP); **Yuji Yamamoto**, Anjo (JP)

**FOREIGN PATENT DOCUMENTS**

(73) Assignee: **Makita Corporation**, Aichi-ken (JP)

JP 971624 10/1966

(\*\*) Term: **14 Years**

\* cited by examiner

(21) Appl. No.: **29/208,620**

*Primary Examiner*—Joel A. Sincavage

*Assistant Examiner*—T. Chase Nelson

(22) Filed: **Jul. 2, 2004**

(74) *Attorney, Agent, or Firm*—Dennison, Schultz, Dougherty & MacDonald

(30) **Foreign Application Priority Data**

Feb. 20, 2004 (JP) ..... 2004-008349

(57) **CLAIM**

(51) **LOC (8) Cl.** ..... **08-05**

The ornamental design for a portable screw cutter, as shown and described.

(52) **U.S. Cl.** ..... **D8/69**

(58) **Field of Search** ..... D8/14.1, 61, 62, D8/63, 64, 65, 66, 67, 68, 69, 70; 81/57.11, 429, 464, 465, 466, 469, 489; 173/13, 169, 171, 178, 213, 217; 227/8, 114, 120, 130, 136, 142; 310/50; 408/20, 124, 125, 234, 241 R; 451/358, 359

**DESCRIPTION**

FIG. 1 is a perspective view of a portable screw cutter showing our new design;  
FIG. 2 is a front elevation view thereof;  
FIG. 3 is a rear elevation view thereof;  
FIG. 4 is a left side elevation view thereof;  
FIG. 5 is a right side elevation view thereof;  
FIG. 6 is a top plan view thereof; and,  
FIG. 7 is a bottom plan view thereof.

(56) **References Cited**

**U.S. PATENT DOCUMENTS**

D200,435 S \* 2/1965 Preble ..... D8/61  
D365,973 S \* 1/1996 Watanabe ..... D8/68  
D386,661 S \* 11/1997 Hirabayashi et al. .... D8/68  
D387,961 S \* 12/1997 Yasui et al. .... D8/68  
D427,499 S \* 7/2000 Ricci et al. .... D8/69

The name Makita displayed on the body of the portable screw cutter is a trademark owned by the Makita Corporation.

**1 Claim, 6 Drawing Sheets**



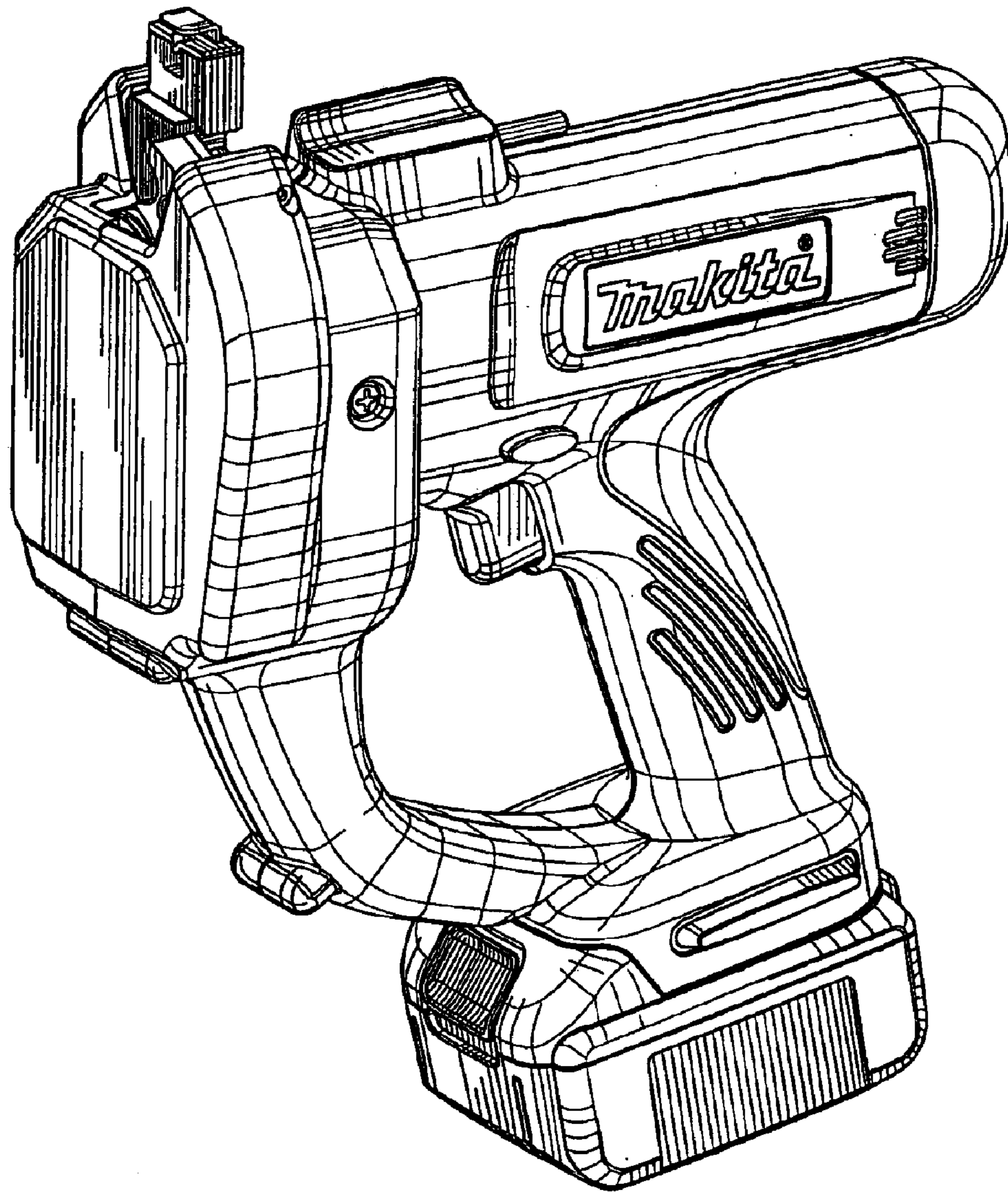


FIG. 1

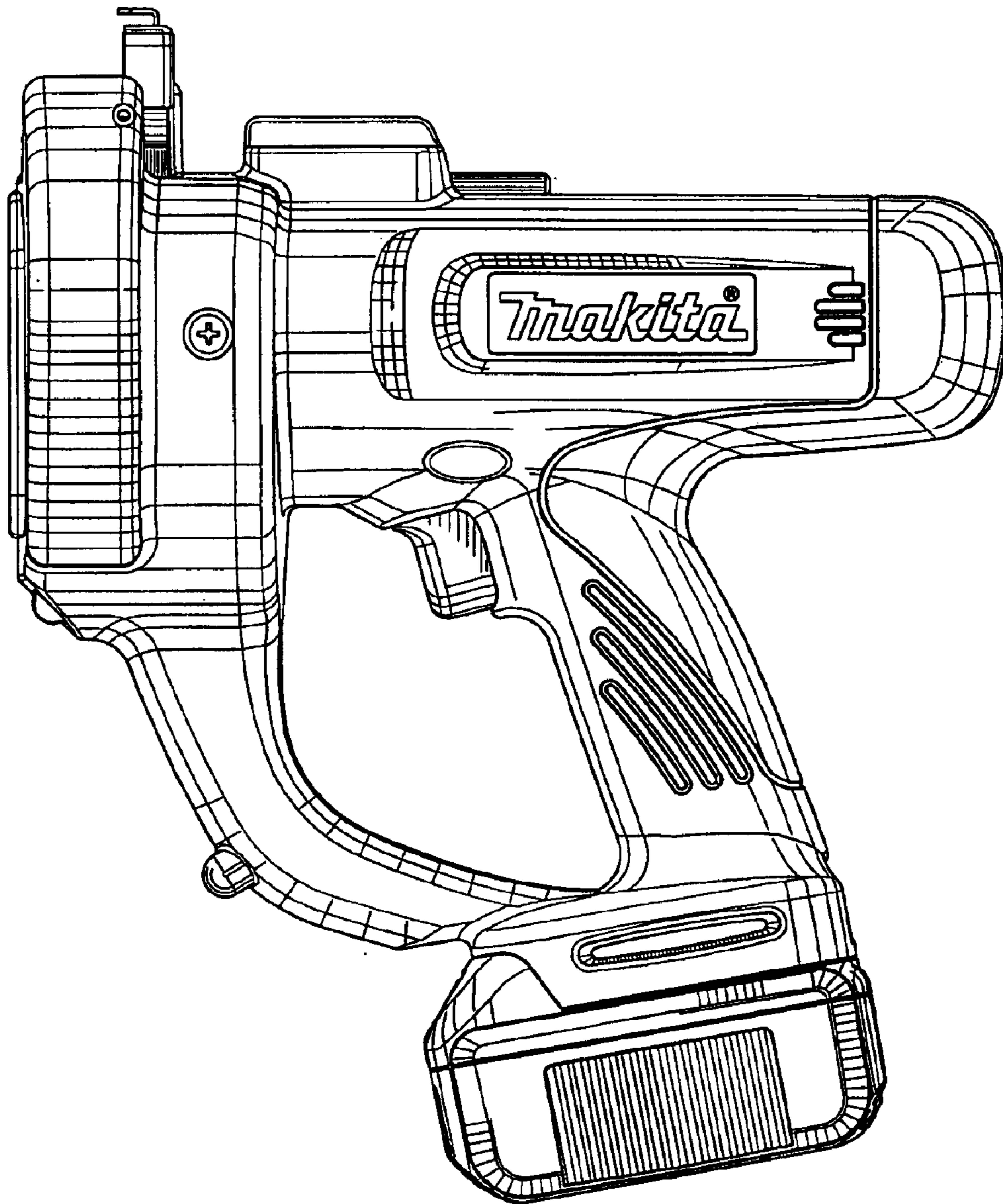


FIG. 2

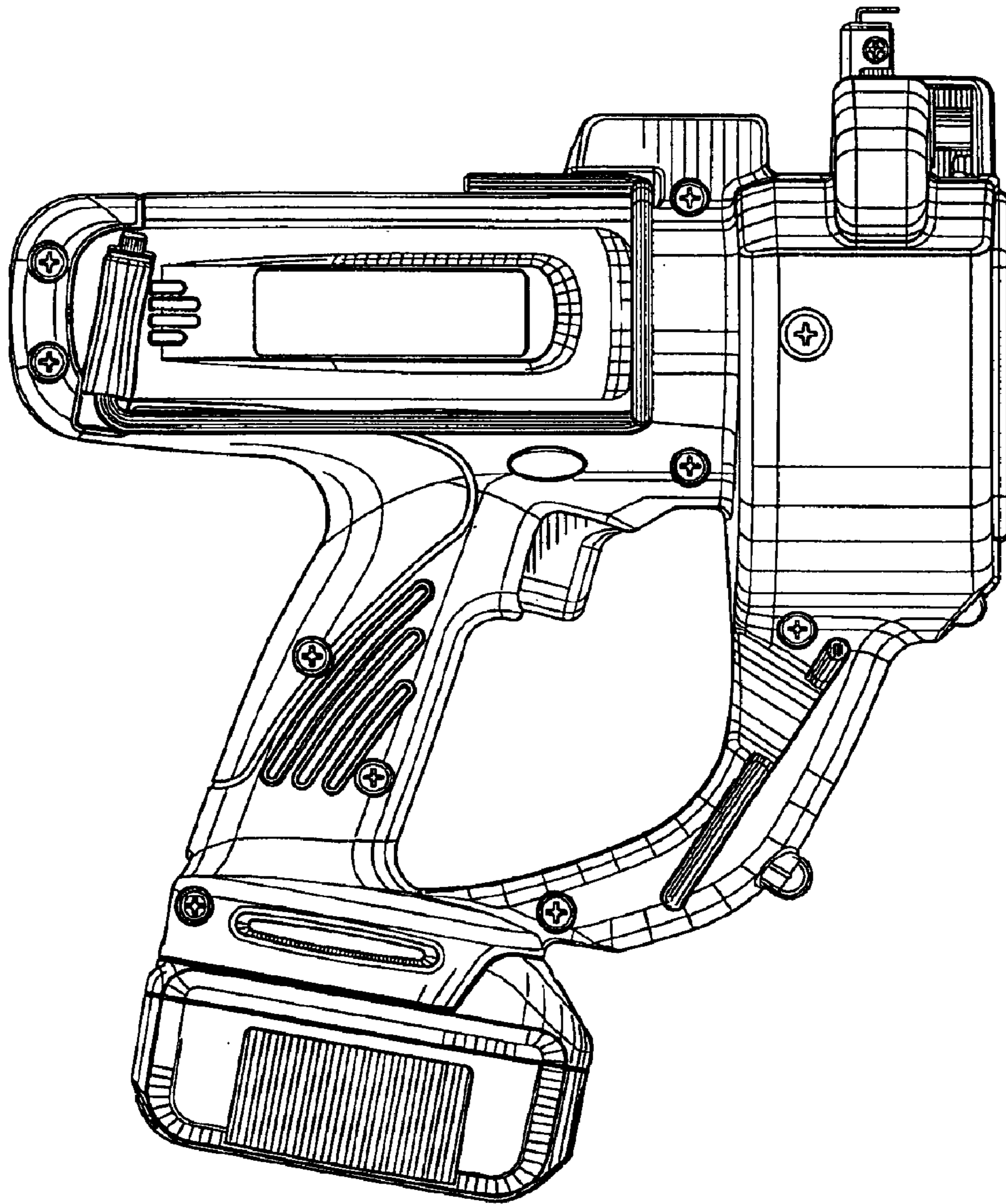


FIG. 3

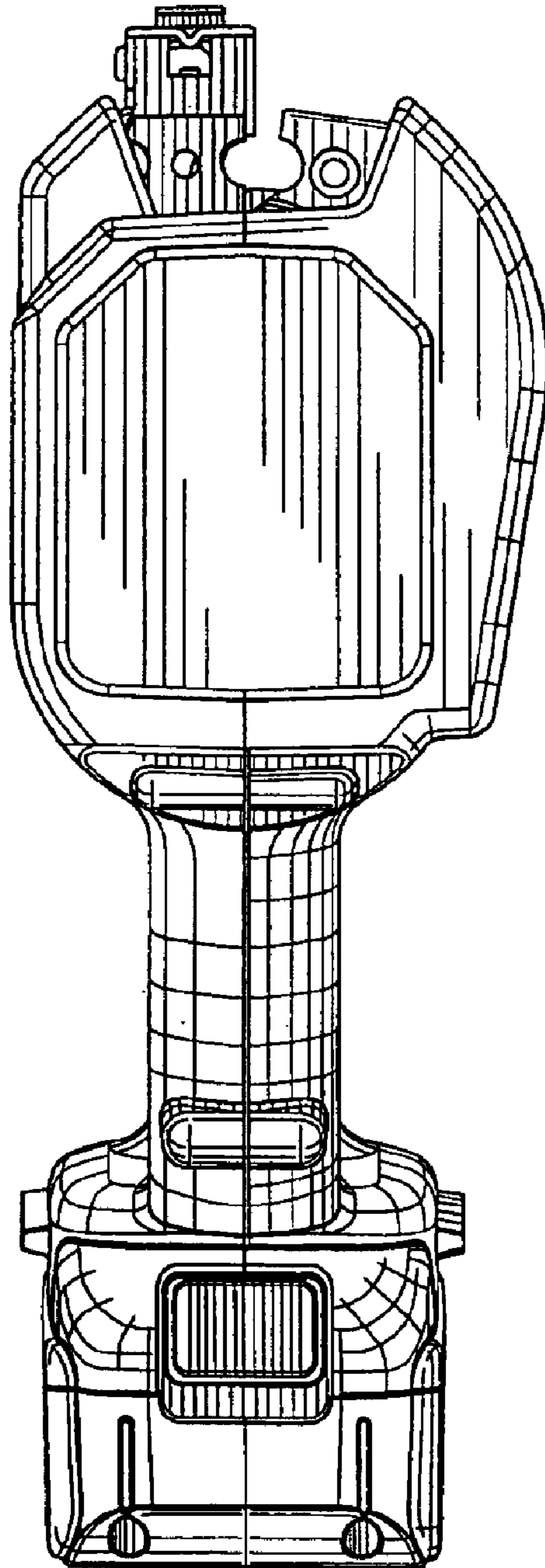


FIG. 4

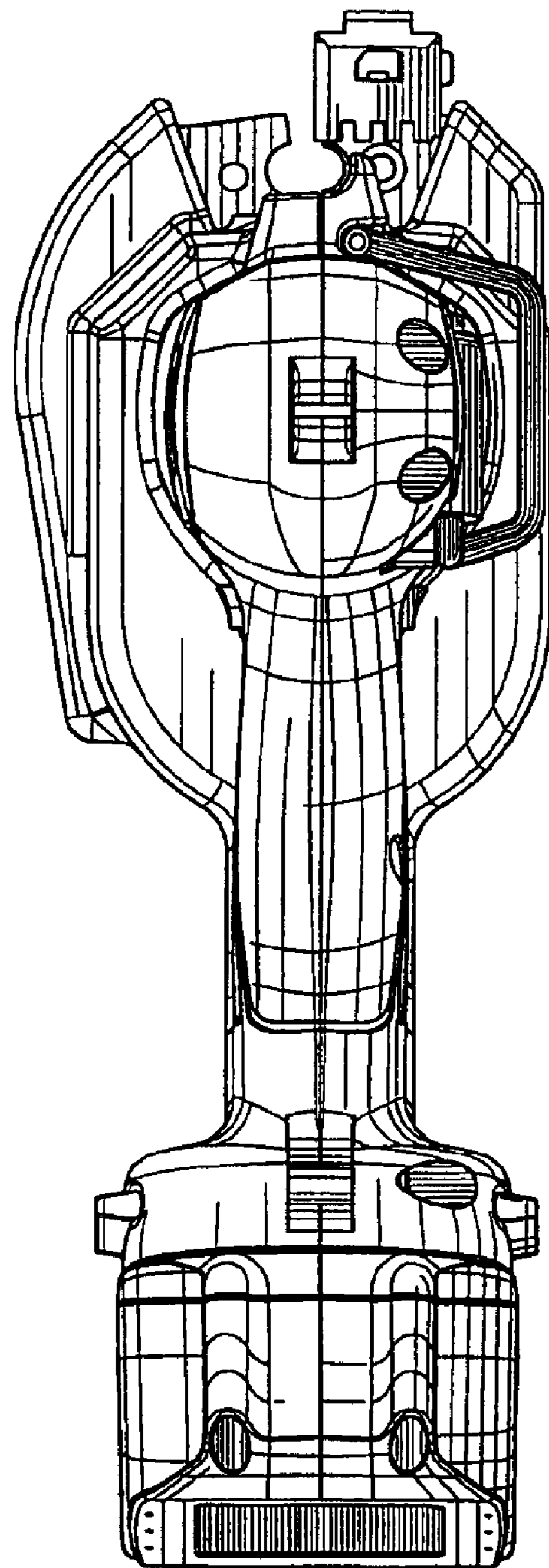


FIG. 5

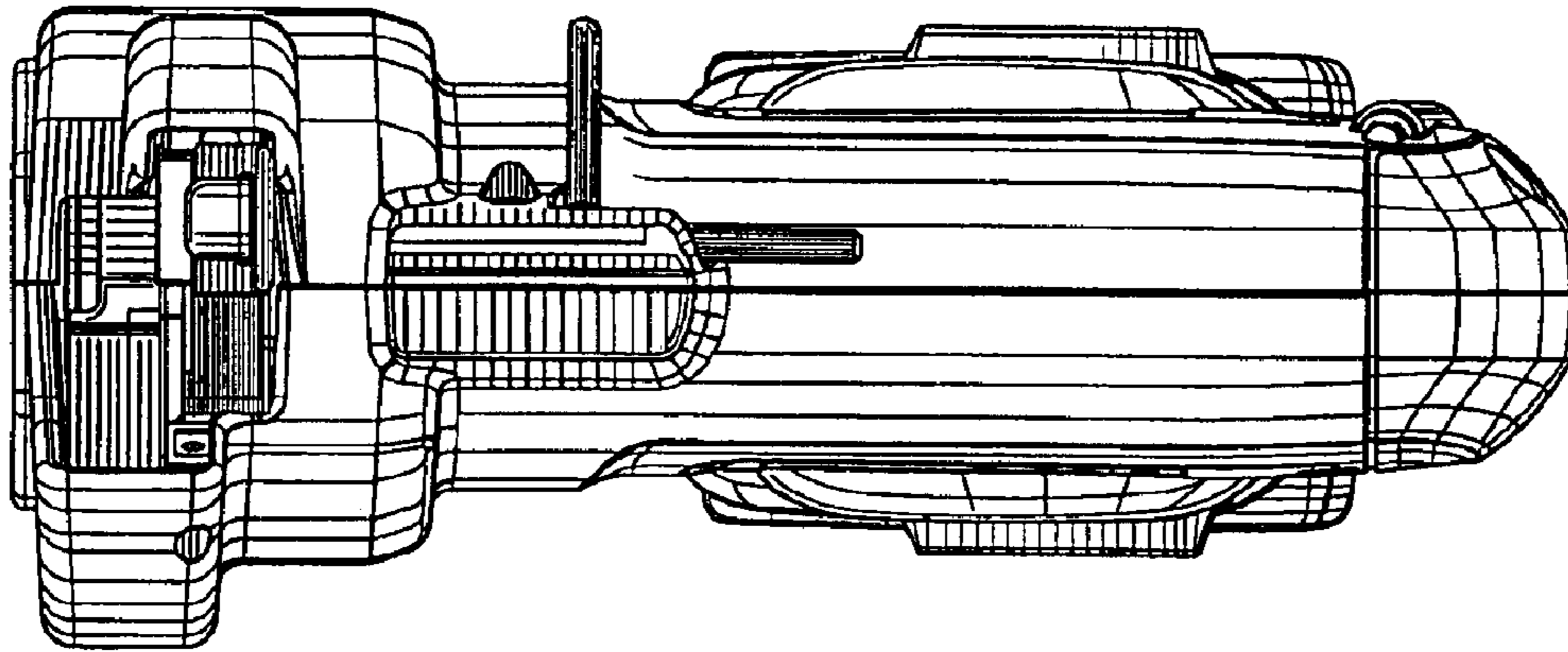


FIG. 6

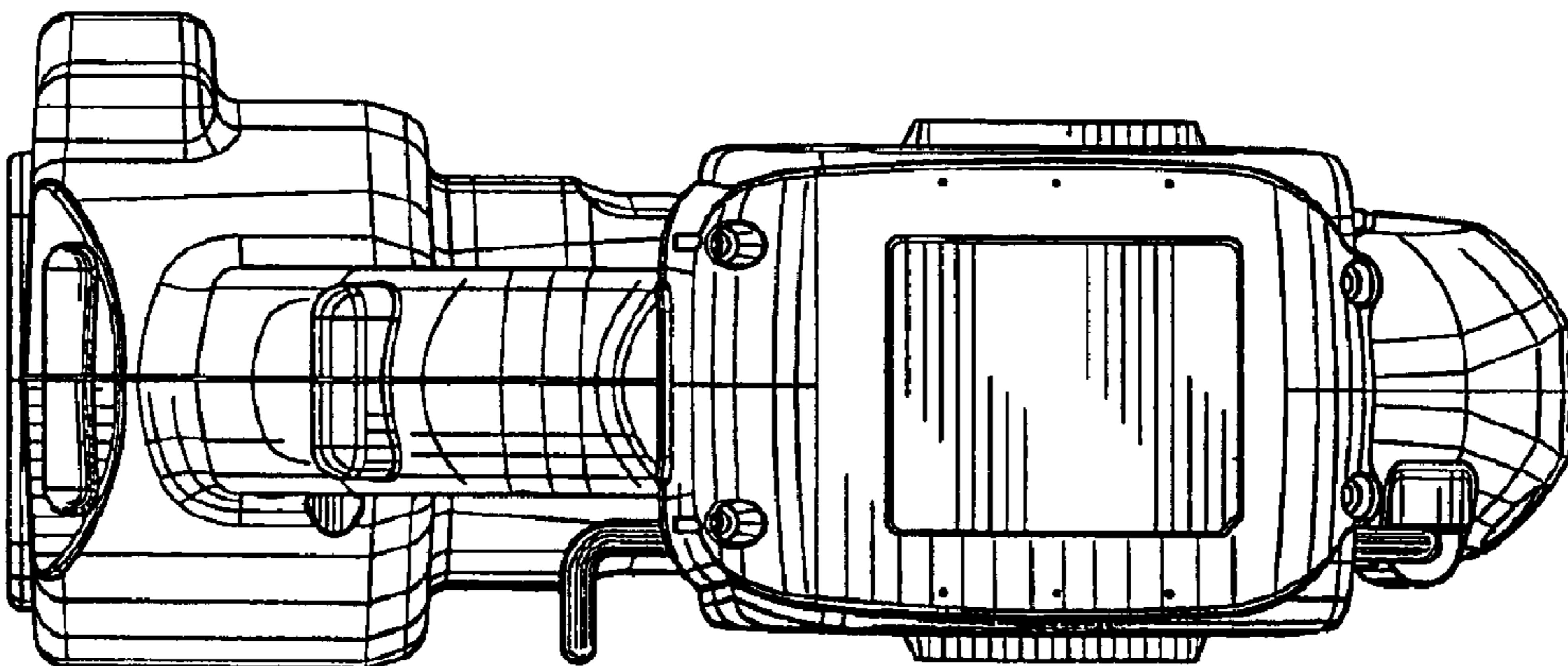


FIG. 7