

US00D505850S

(12) **United States Design Patent**
Brzoska

(10) **Patent No.:** **US D505,850 S**
(45) **Date of Patent:** **** Jun. 7, 2005**

(54) **GROUT FLOAT**

(76) **Inventor:** **Allen R. Brzoska**, 2520 Pembroke Point, Champaign, IL (US) 61821

(**) **Term:** **14 Years**

(21) **Appl. No.:** **29/210,270**

(22) **Filed:** **Jul. 28, 2004**

(51) **LOC (8) Cl.** **08-05**

(52) **U.S. Cl.** **D8/45**

(58) **Field of Search** D8/45; D4/132; D32/41, 46; 15/245.1, 236.01, 235.4

(56) **References Cited**

U.S. PATENT DOCUMENTS

3,069,713	A	*	12/1962	Obraske	15/245.1
D298,300	S		11/1988	Leray	D8/45
D318,157	S	*	7/1991	Perior	D32/41
D464,182	S	*	10/2002	Vosbikian	D32/41
D480,853	S	*	10/2003	Snell	D32/41
D487,830	S	*	3/2004	Snell	D32/41

OTHER PUBLICATIONS

Masonry, Home Repair And Improvement, Jan. 1, 1976, series, Time-Life Books p. 100.

* cited by examiner

Primary Examiner—Holly Baynham

(74) *Attorney, Agent, or Firm*—Philip L. Bateman

(57) **CLAIM**

The ornamental design for a grout float, as shown and described.

DESCRIPTION

FIG. 1 is a top and left side perspective view of a grout float showing my new design;
FIG. 2 is a bottom and right side perspective view thereof;
FIG. 3 is a front elevation view thereof;
FIG. 4 is a rear elevation view thereof;
FIG. 5 is a top plan view thereof;
FIG. 6 is a bottom plan view thereof;
FIG. 7 is a right side elevation view thereof; and,
FIG. 8 is a left side elevation view thereof.

1 Claim, 4 Drawing Sheets

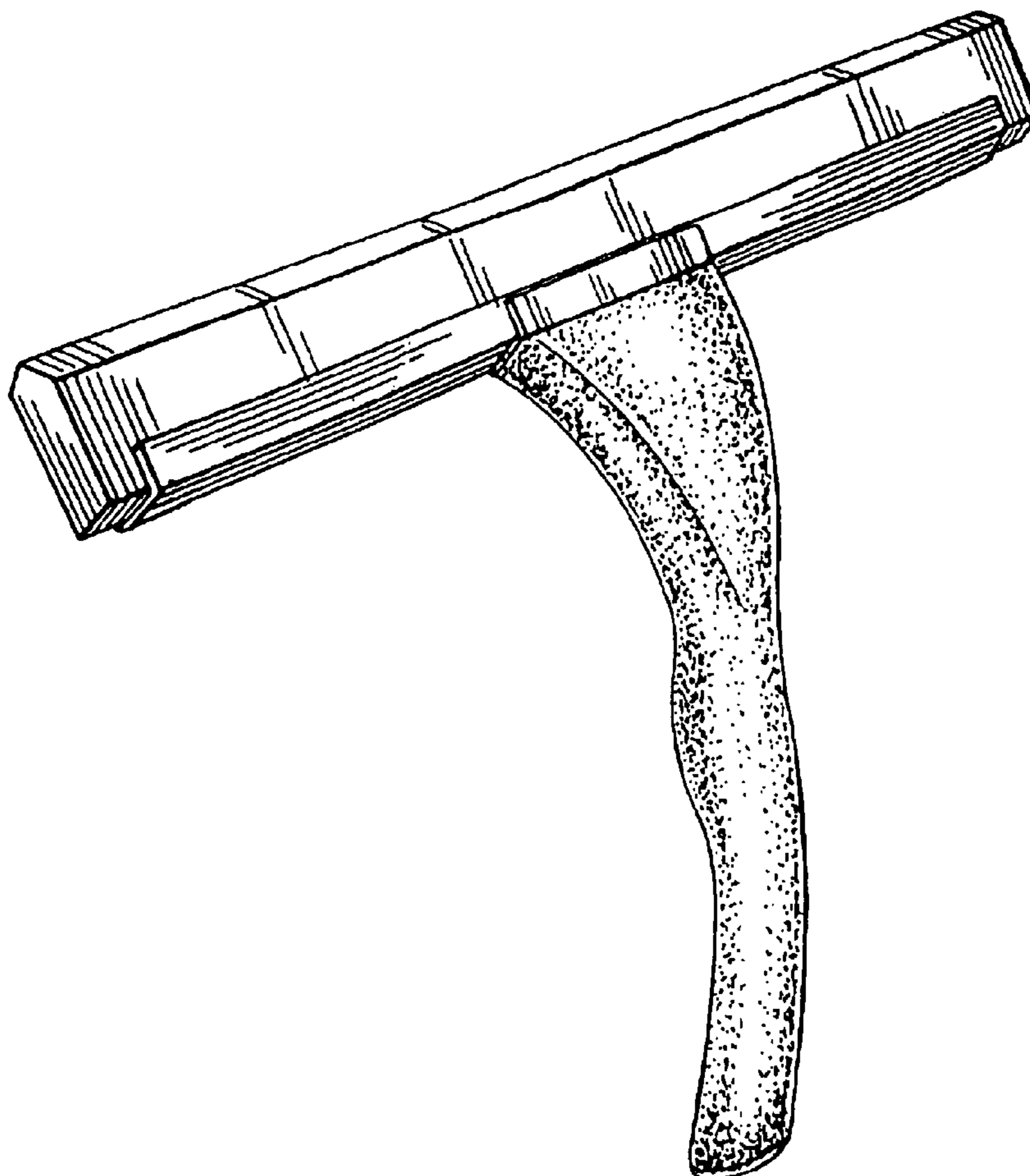


FIG. 1

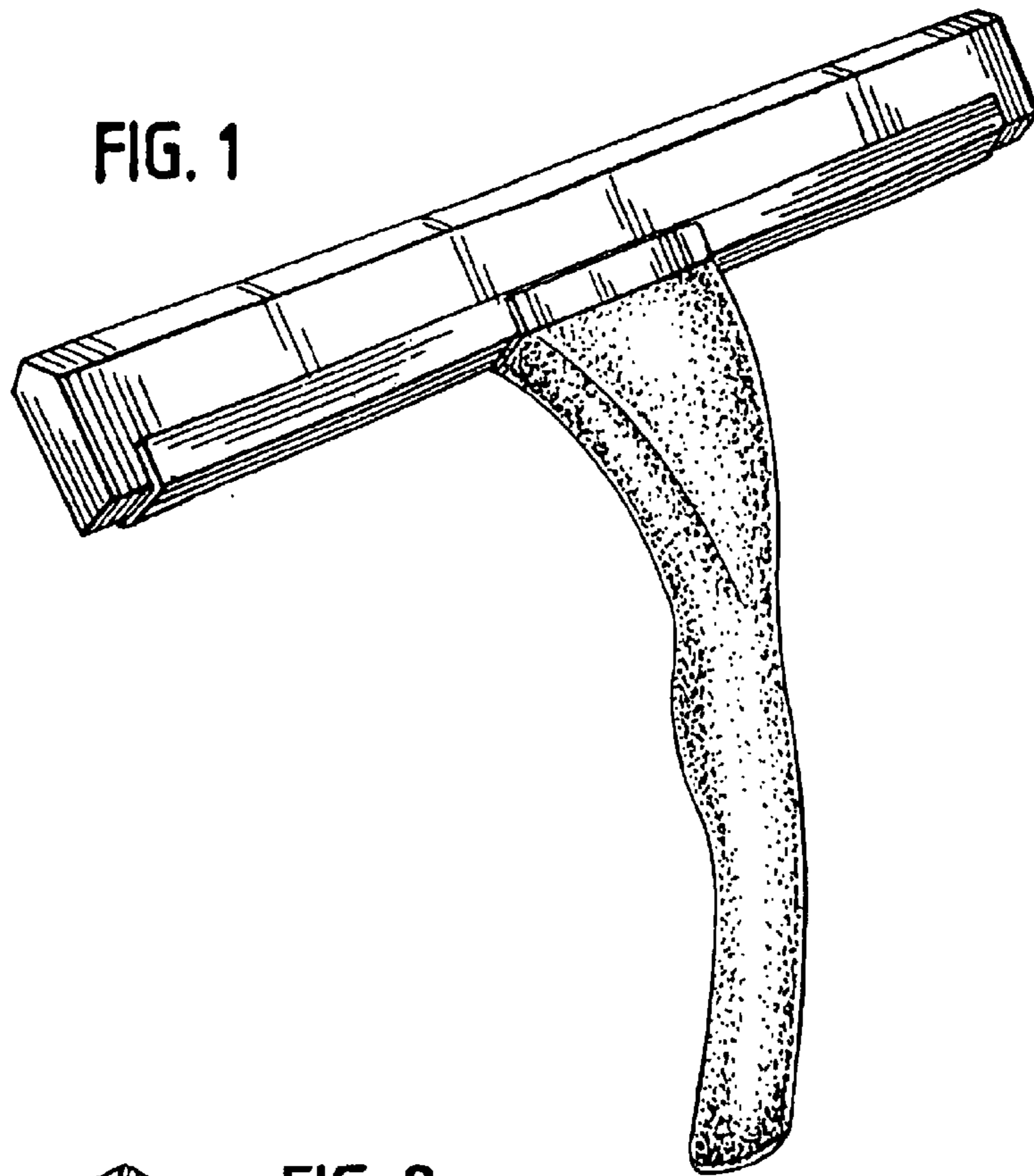


FIG. 2

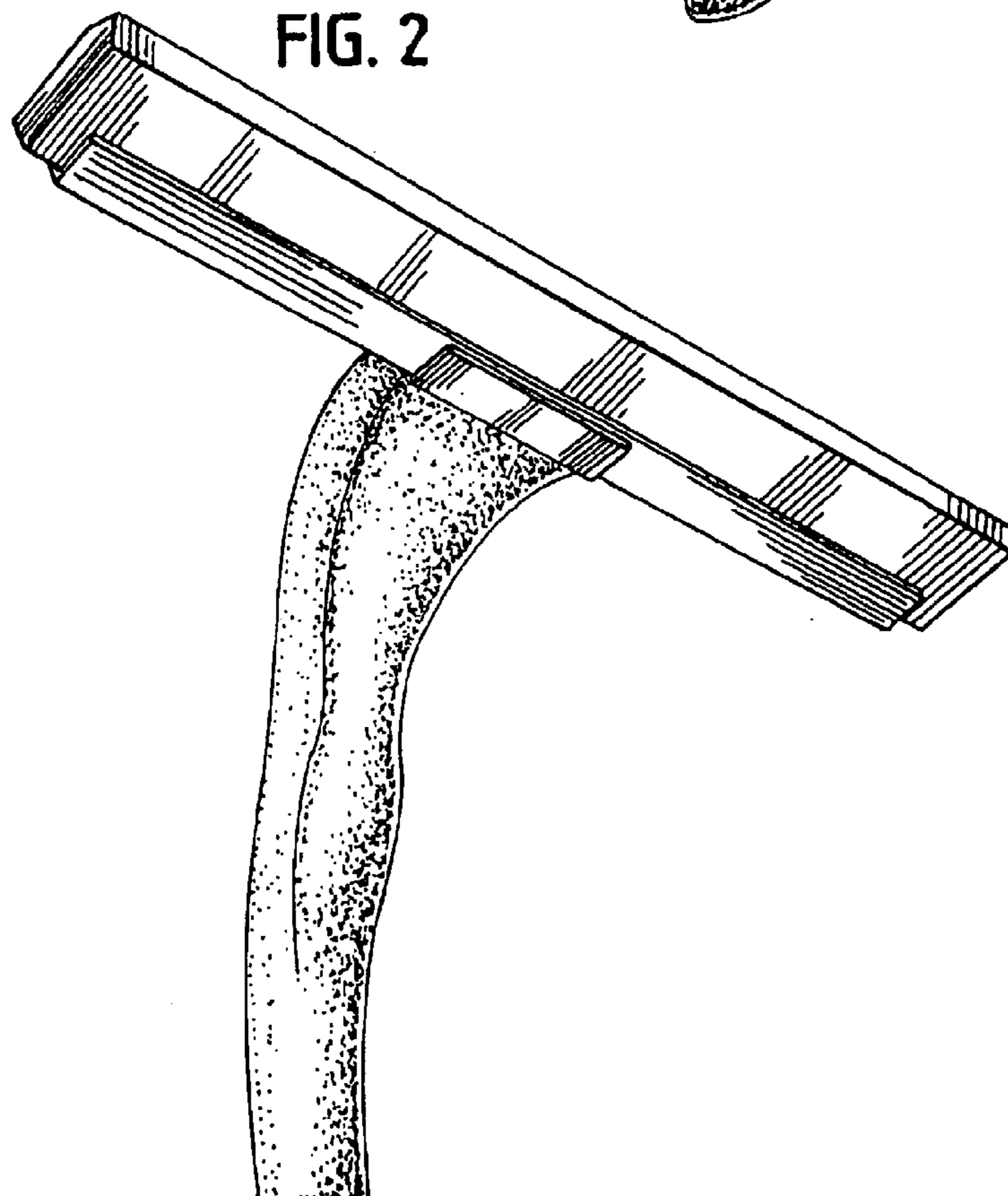


FIG. 3

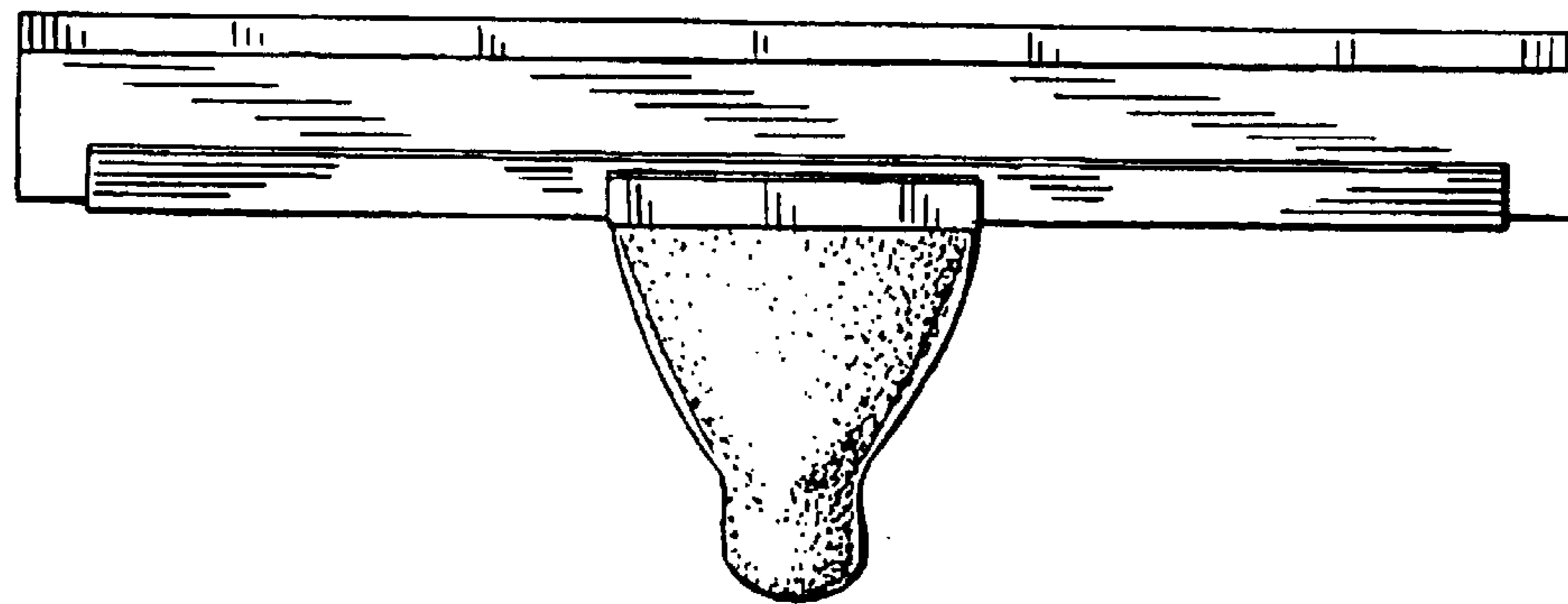


FIG. 4

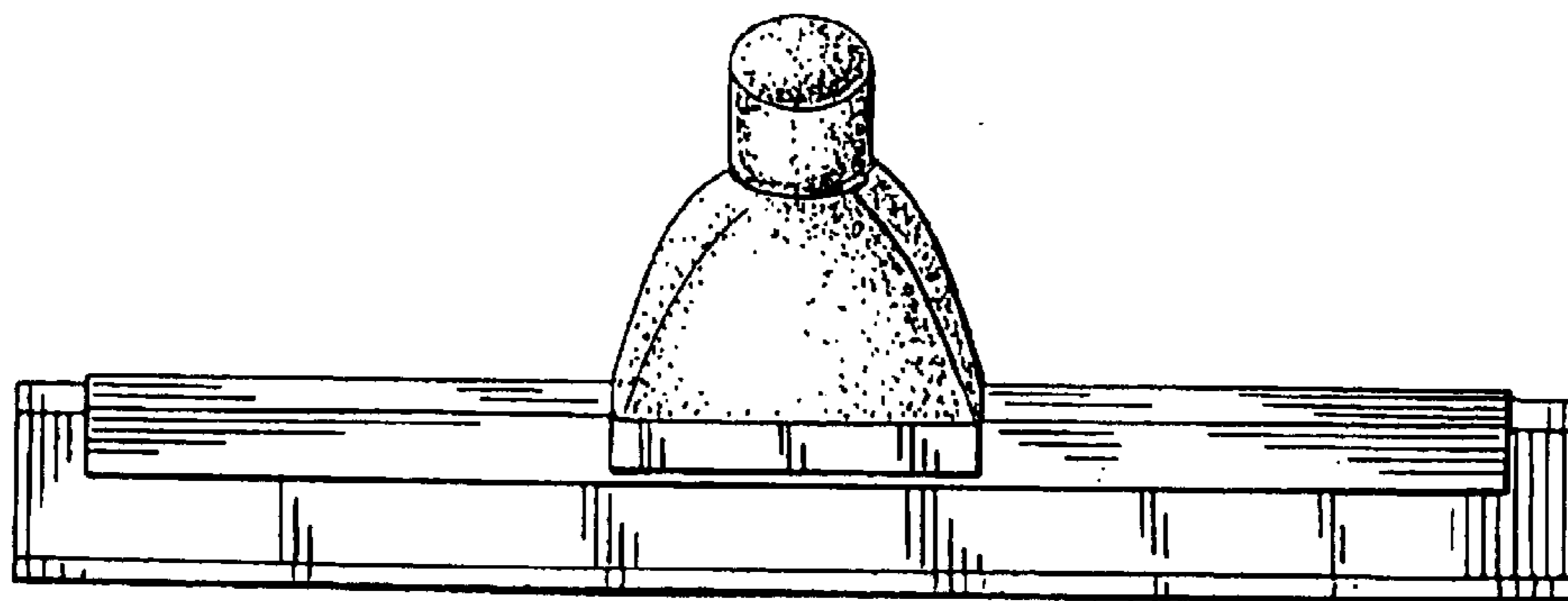


FIG. 5

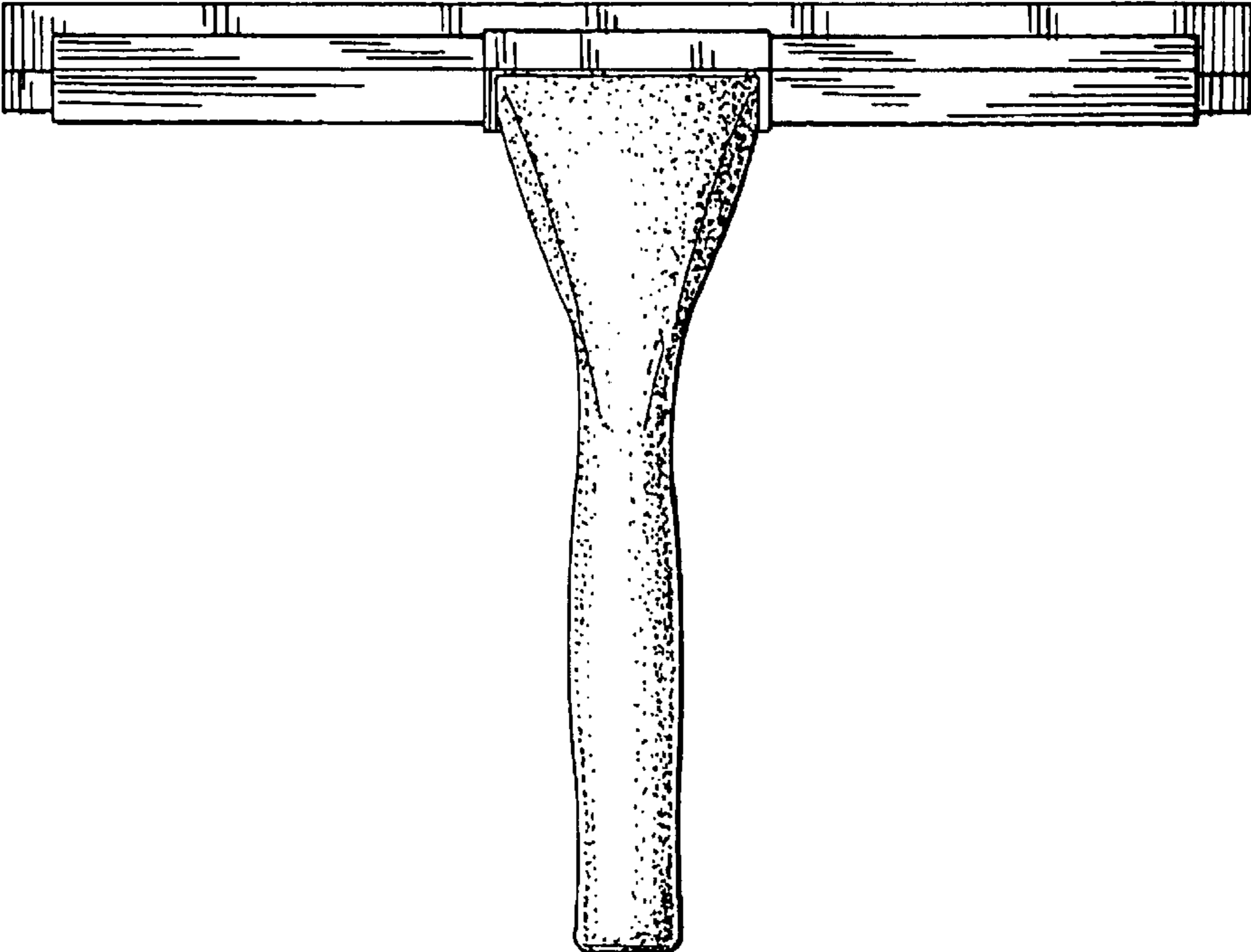


FIG. 6

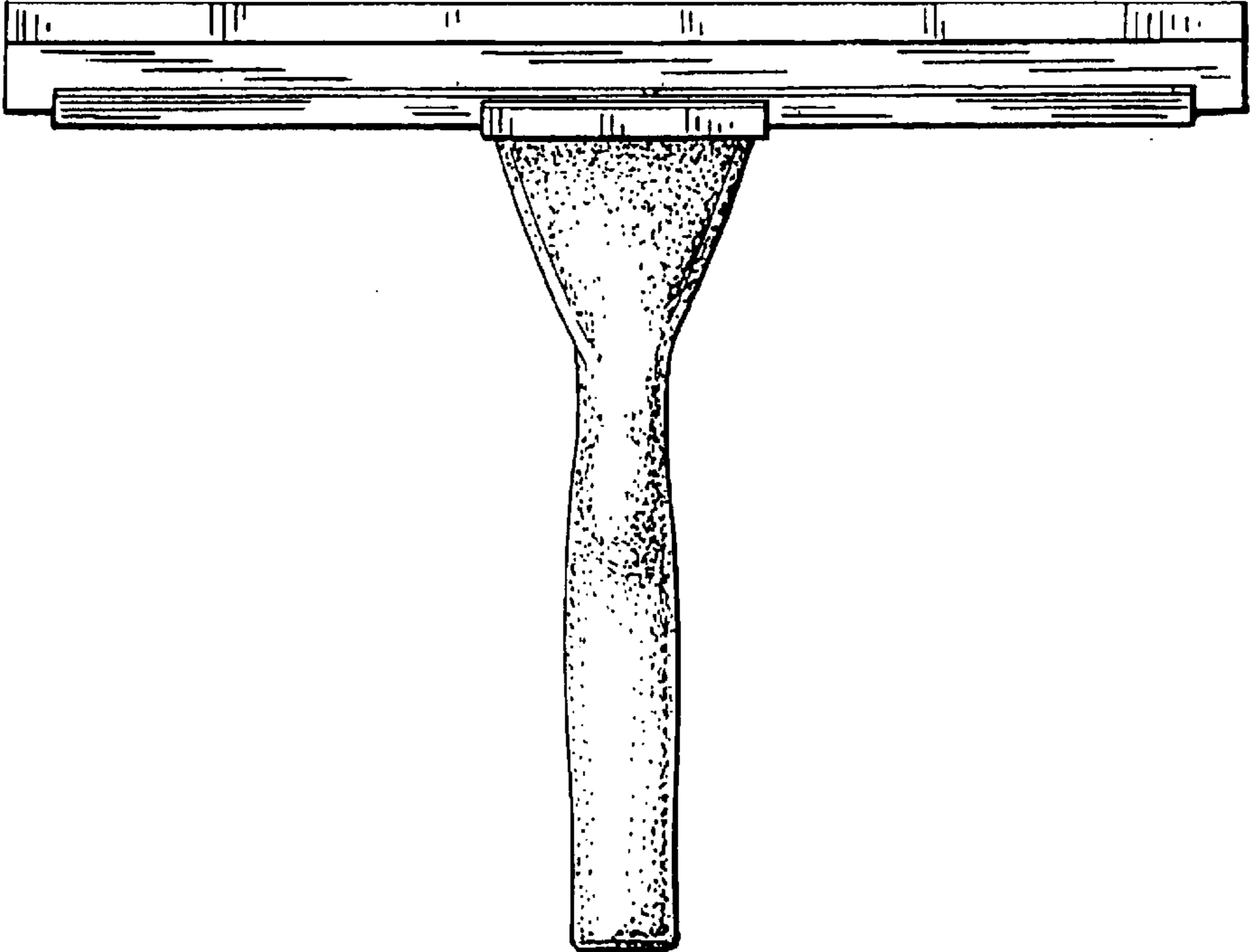


FIG. 7

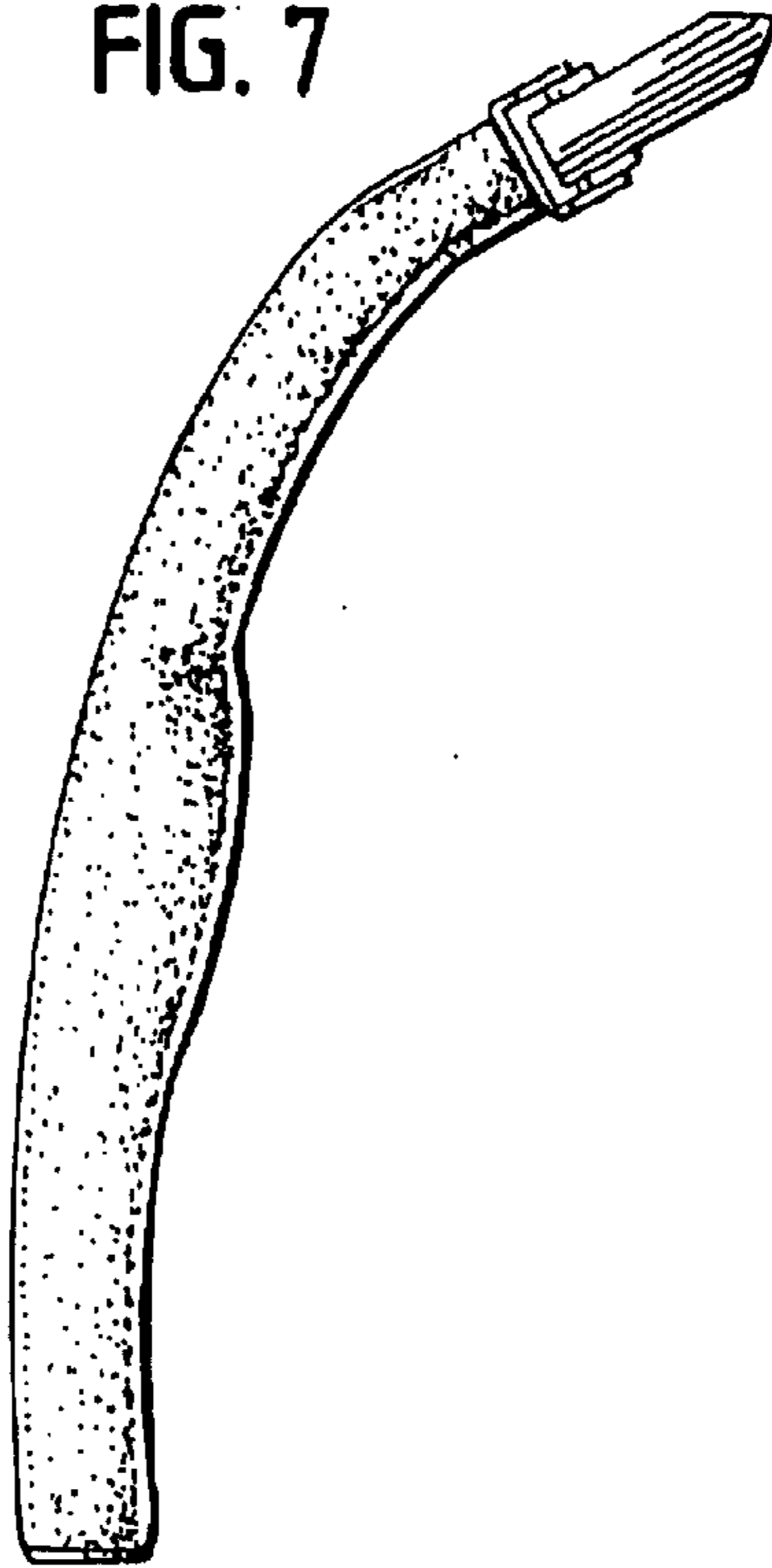


FIG. 8

