

US00D505849S

(12) **United States Design Patent**
Degen

(10) **Patent No.:** **US D505,849 S**
(45) **Date of Patent:** **** Jun. 7, 2005**

(54) **BELT TENSIONING ROLLER**

(75) Inventor: **Klemens Degen**, Weibern (DE)

(73) Assignee: **wolcraft GmbH**, Kempenich (DE)

(**) Term: **14 Years**

(21) Appl. No.: **29/203,318**

(22) Filed: **Apr. 12, 2004**

(30) **Foreign Application Priority Data**

Oct. 6, 2003 (DE) 4 03 06 739

(51) **LOC (8) Cl.** **08-05**

(52) **U.S. Cl.** **D8/44**

(58) **Field of Search** D8/44; 24/68 CD;
474/101, 111; 140/123.6

(56) **References Cited**

U.S. PATENT DOCUMENTS

- 3,858,625 A * 1/1975 Banjeglav 140/123.6
- 5,000,724 A * 3/1991 Reid 474/111
- D328,840 S * 8/1992 Jensen D8/44
- 2003/0000047 A1 * 1/2003 Mamie et al. 24/68 CD
- 2003/0177614 A1 * 9/2003 Huang 24/68 CD

* cited by examiner

Primary Examiner—Holly Baynham

(74) *Attorney, Agent, or Firm*—Michael S. Leonard;
Everest Intellectual Property Law Group

(57) **CLAIM**

I claim the ornamental design for a belt tensioning roller, as shown and described.

DESCRIPTION

FIG. 1 is a perspective view of a belt tensioning roller of the claimed design.

FIG. 2 is a front view of the belt tensioning roller of FIG. 1.

FIG. 3 is a left side view of the belt tensioning roller of FIG. 1.

FIG. 4 is a rear view of the belt tensioning roller of FIG. 1.

FIG. 5 is a right side view of the belt tensioning roller of FIG. 1.

FIG. 6 is a top view of the belt tensioning roller of FIG. 1.

FIG. 7 is a bottom view of the belt tensioning roller of FIG. 1.

FIG. 8 is a front view of a clamping jaw of the belt tensioning roller according to the claimed design.

FIG. 9 is a left side view of the clamping jaw of FIG. 8.

FIG. 10 is a rear view of the clamping jaw of FIG. 8.

FIG. 11 is a right side view of the clamping jaw of FIG. 8.

FIG. 12 is a top view of the clamping jaw of FIG. 8; and,

FIG. 13 is a bottom view of the clamping jaw of FIG. 8.

The belt is shown broken away in FIG. 1 for ease of illustration.

The clamping jaw is shown separate from the claimed article for clarity of illustration.

1 Claim, 3 Drawing Sheets

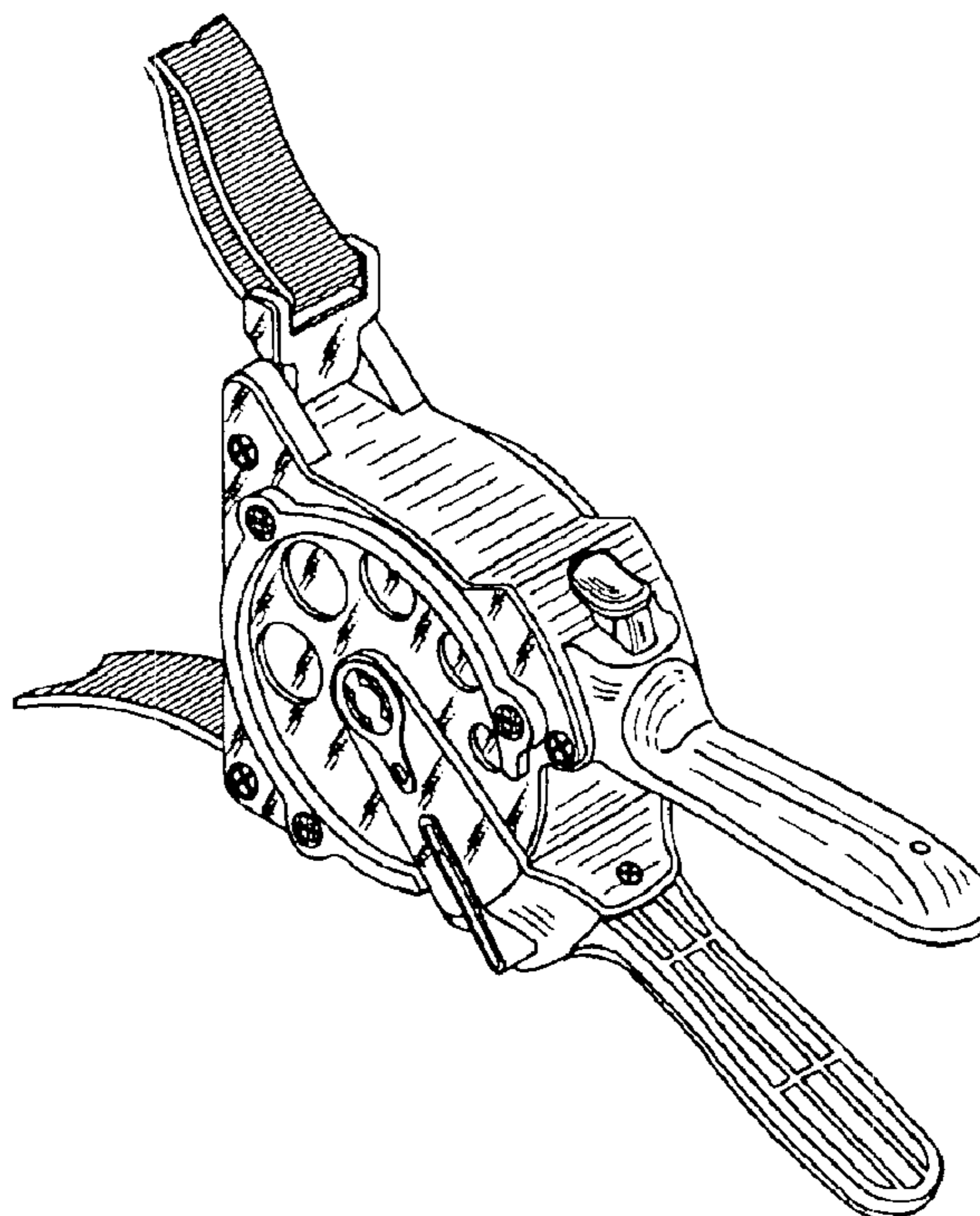


Fig. 1

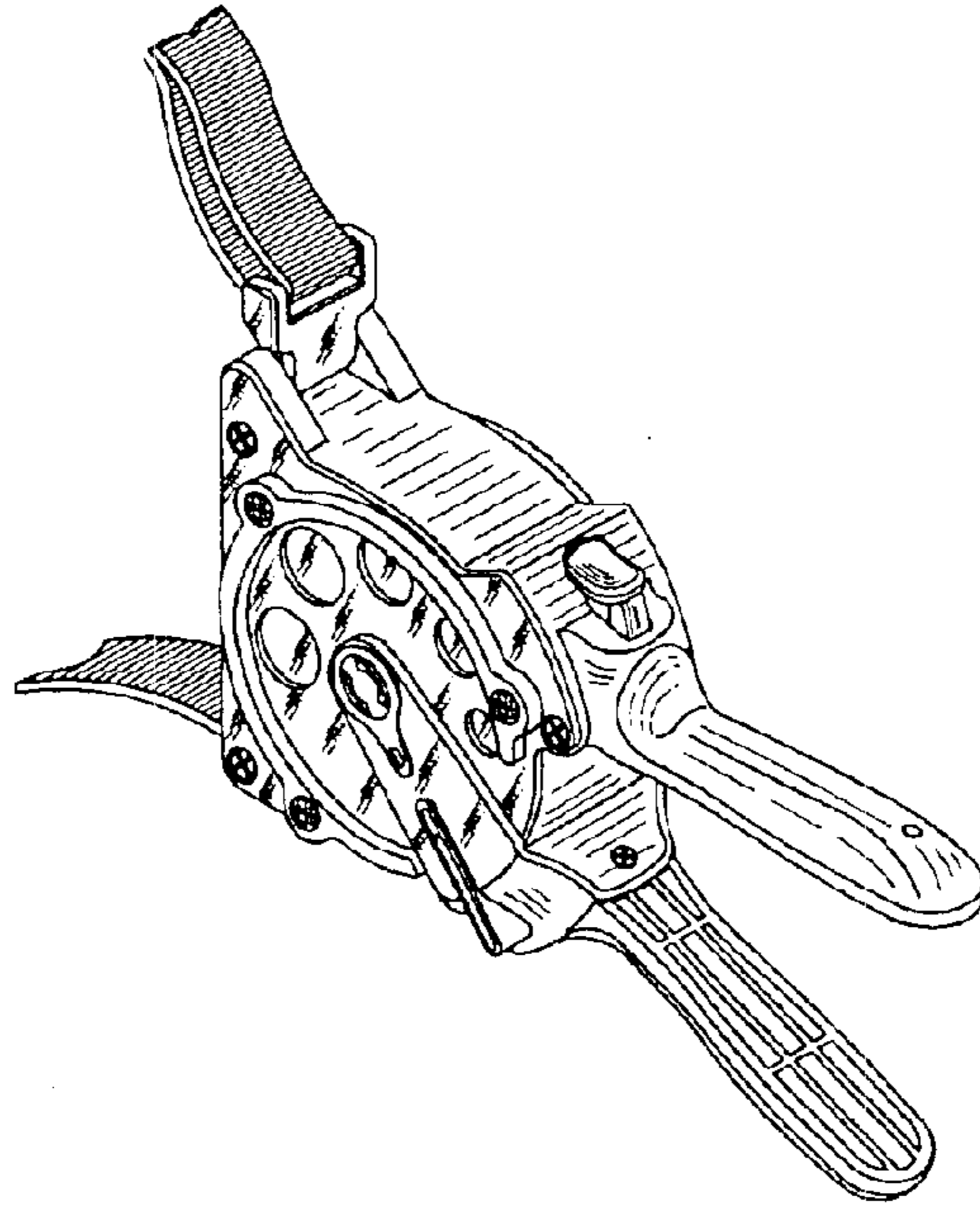


Fig. 2

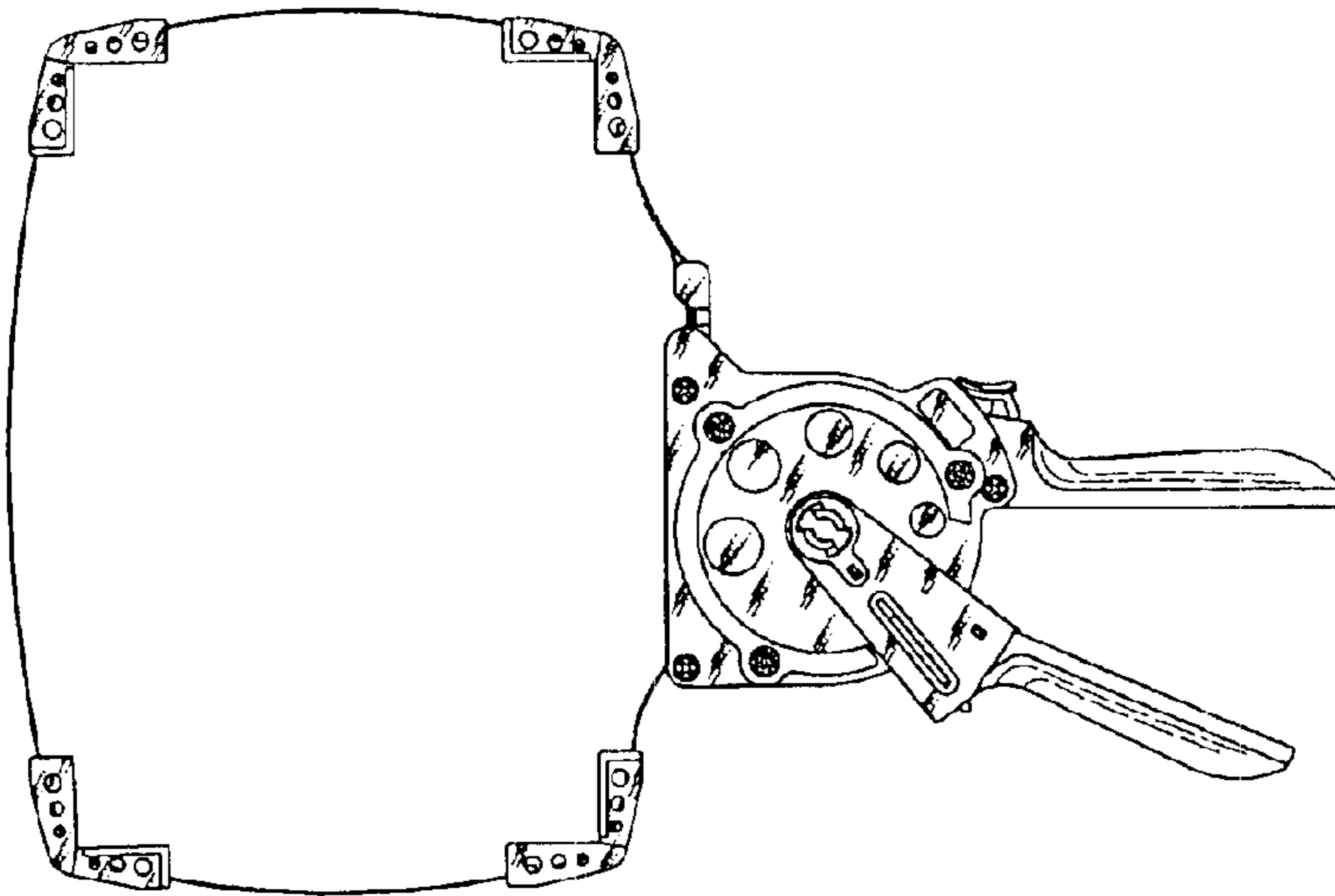


Fig. 3

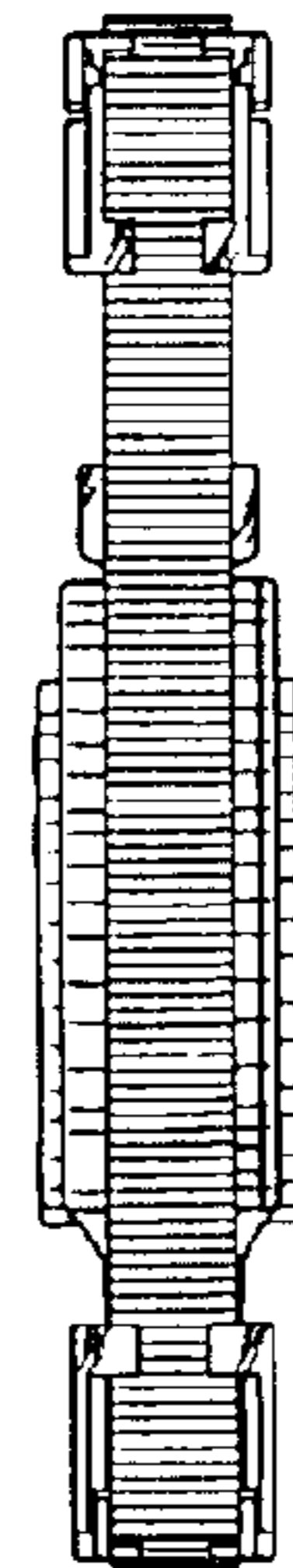


Fig. 4

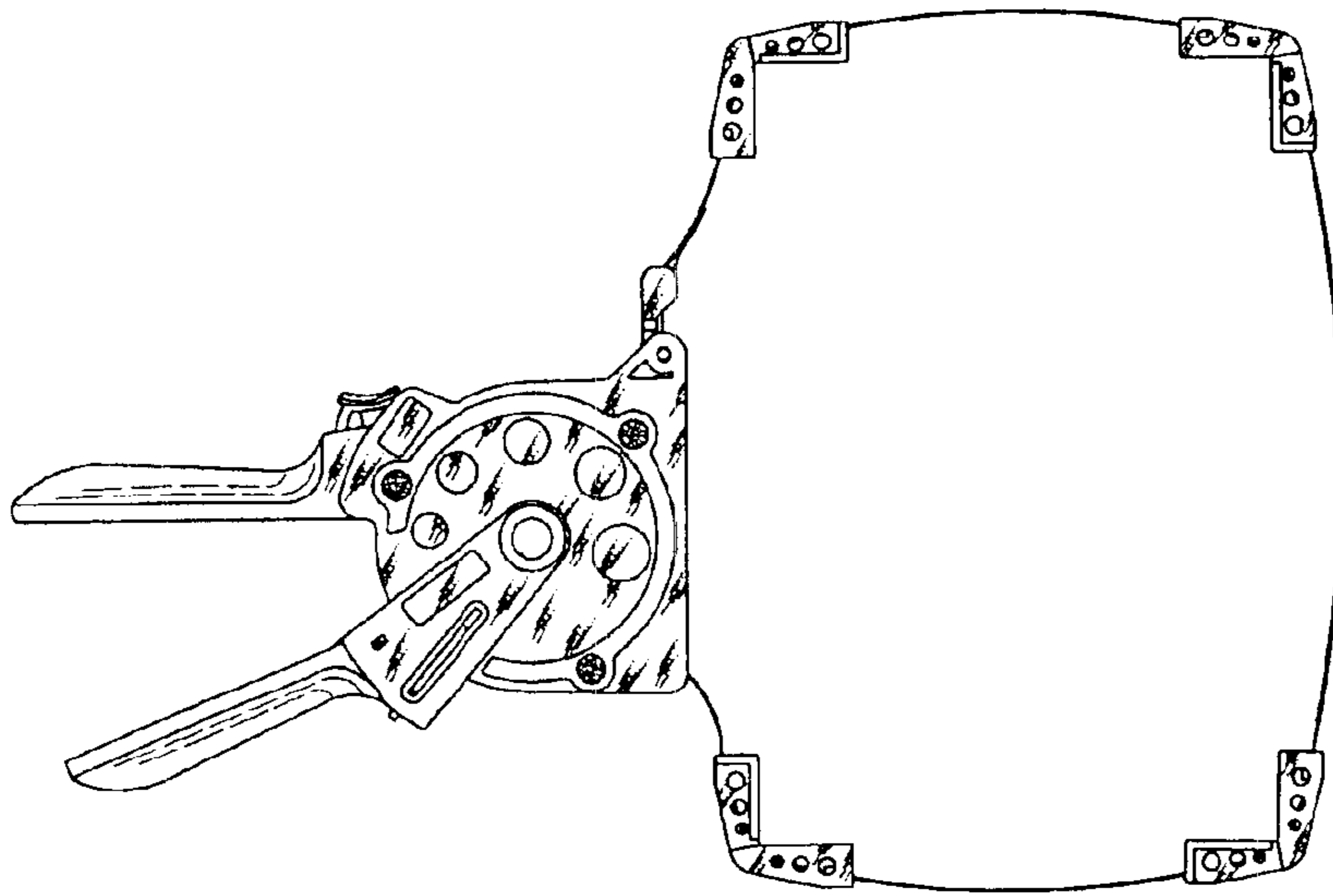


Fig. 5

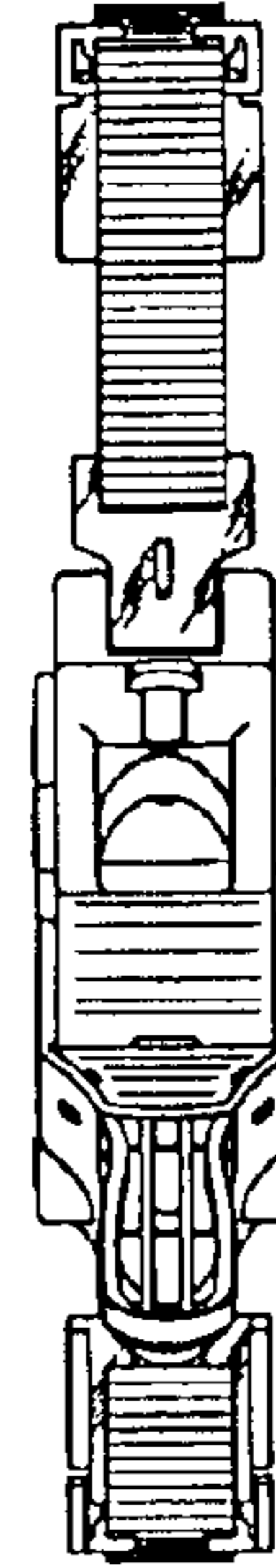


Fig. 7

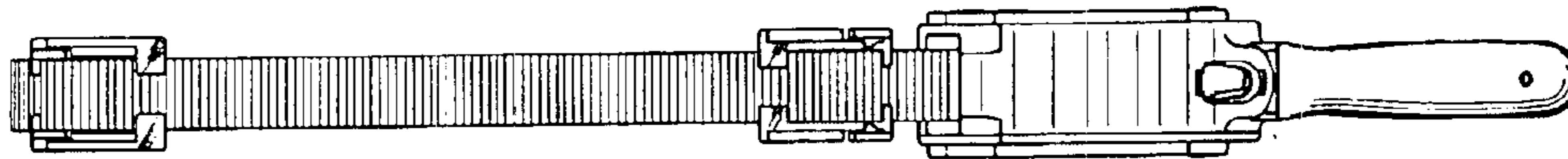


Fig. 6

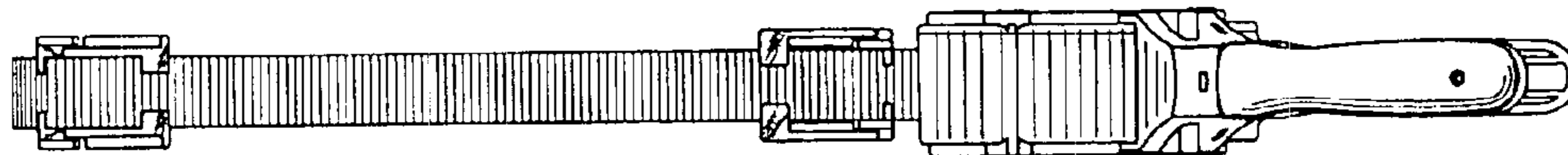


Fig. 8

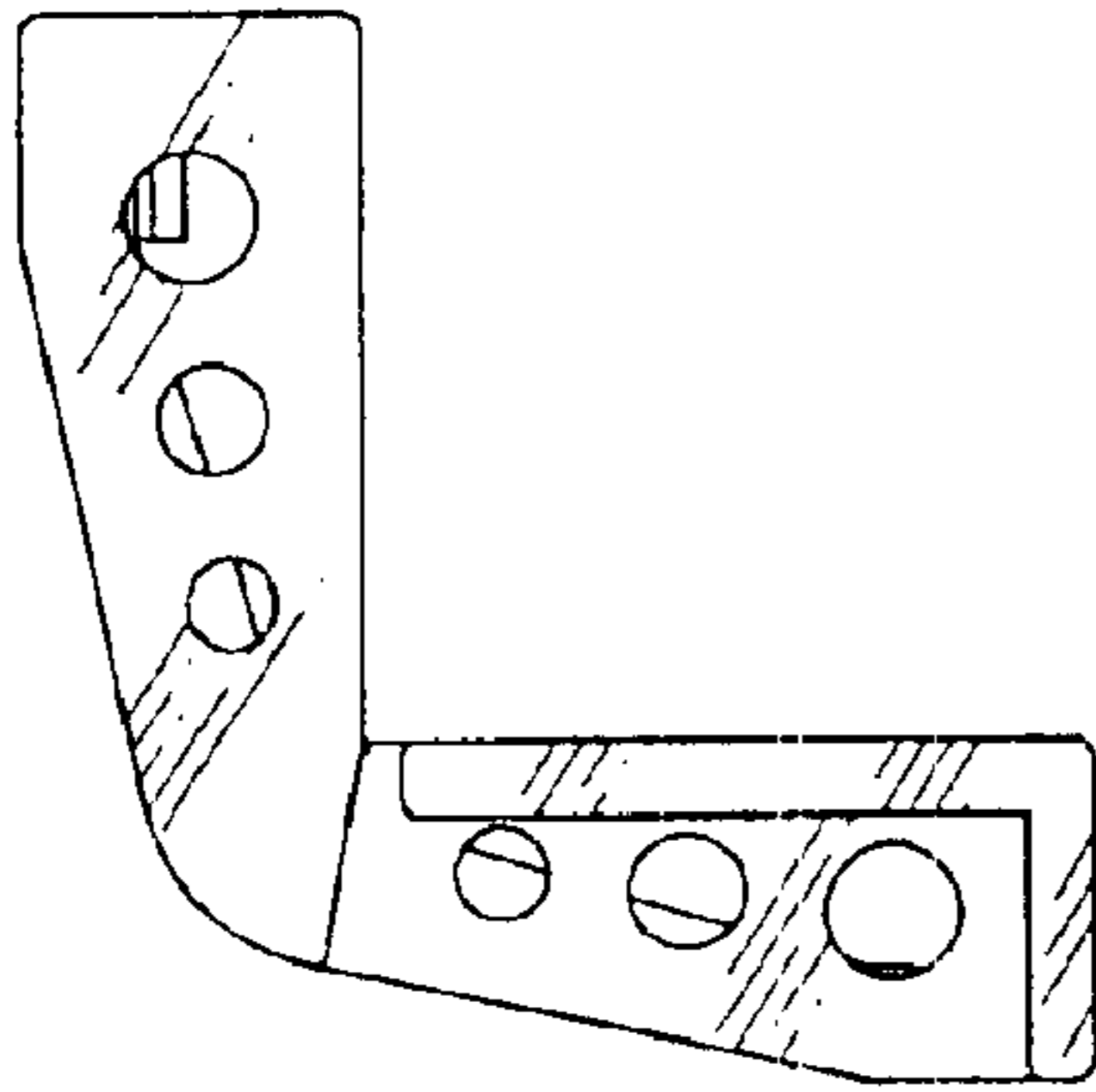


Fig. 9

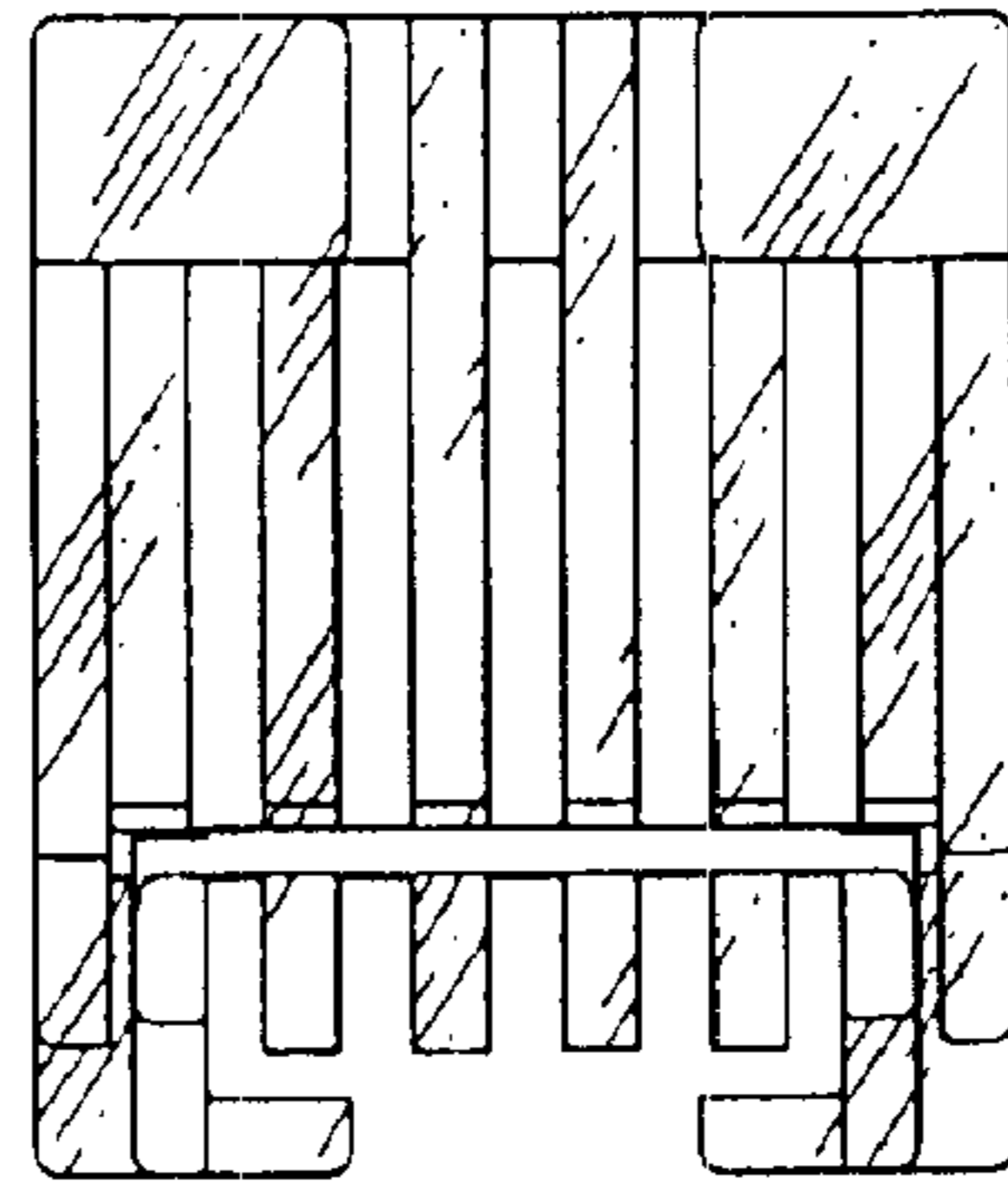


Fig. 10

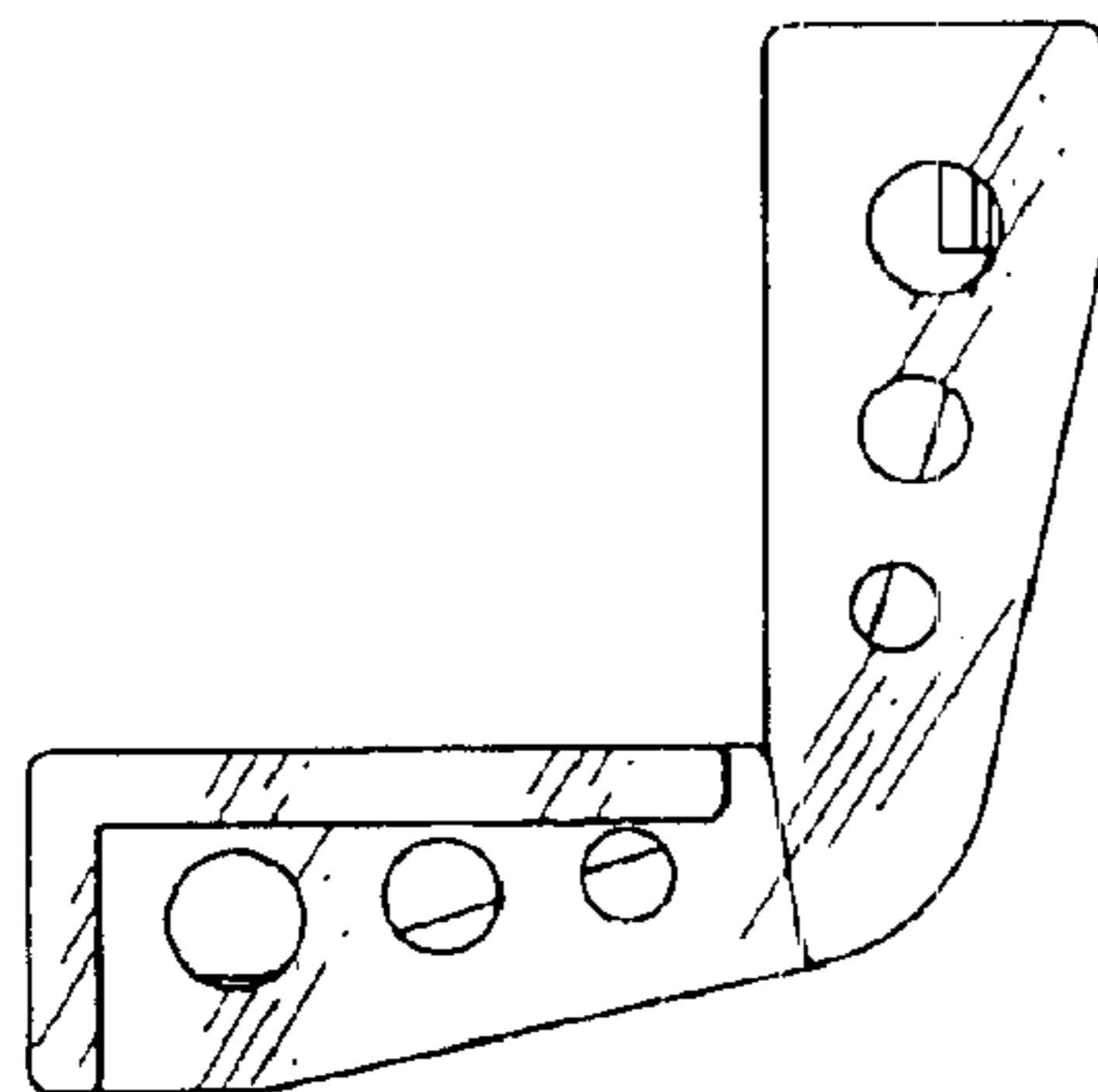


Fig. 11

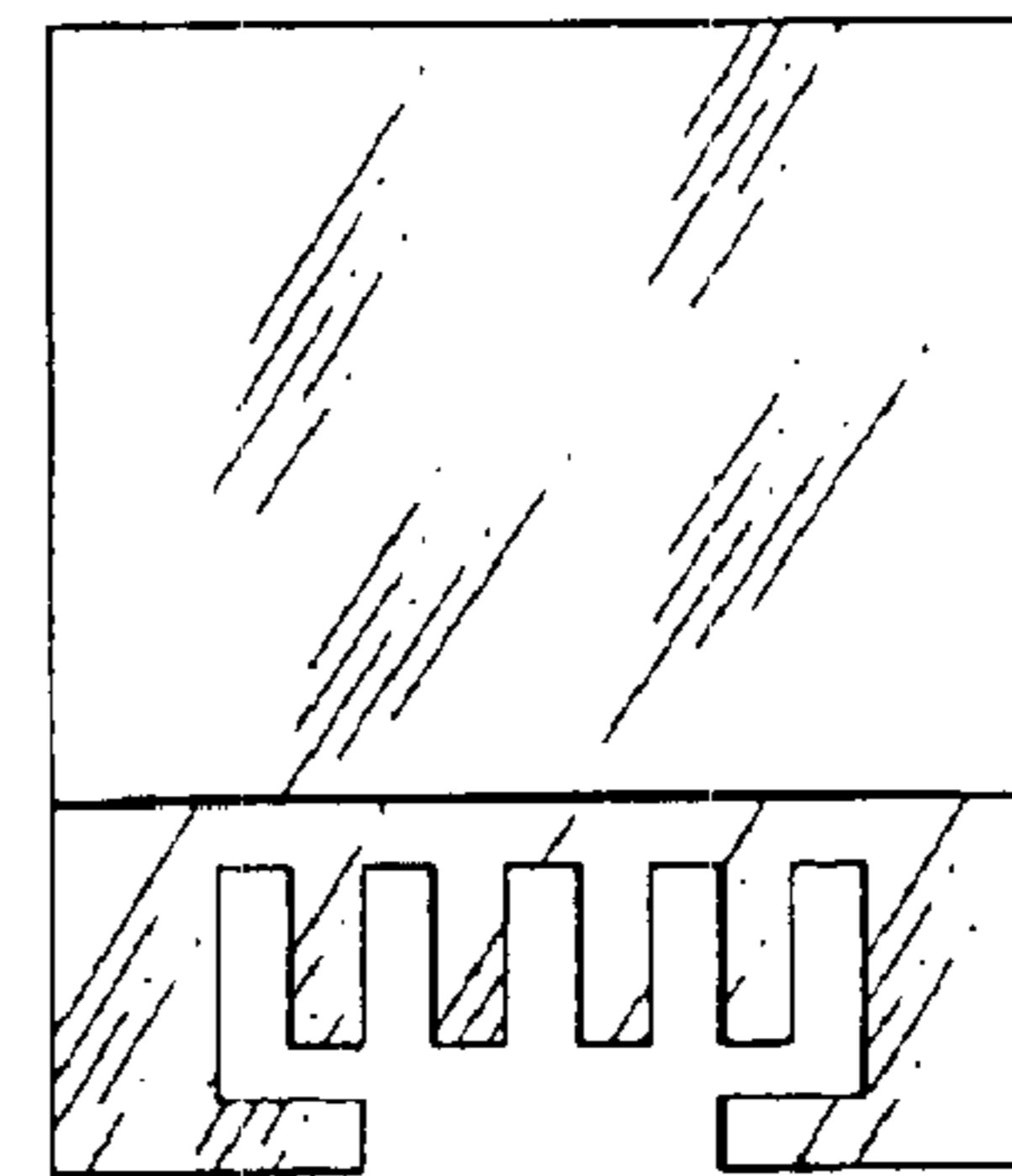


Fig. 12

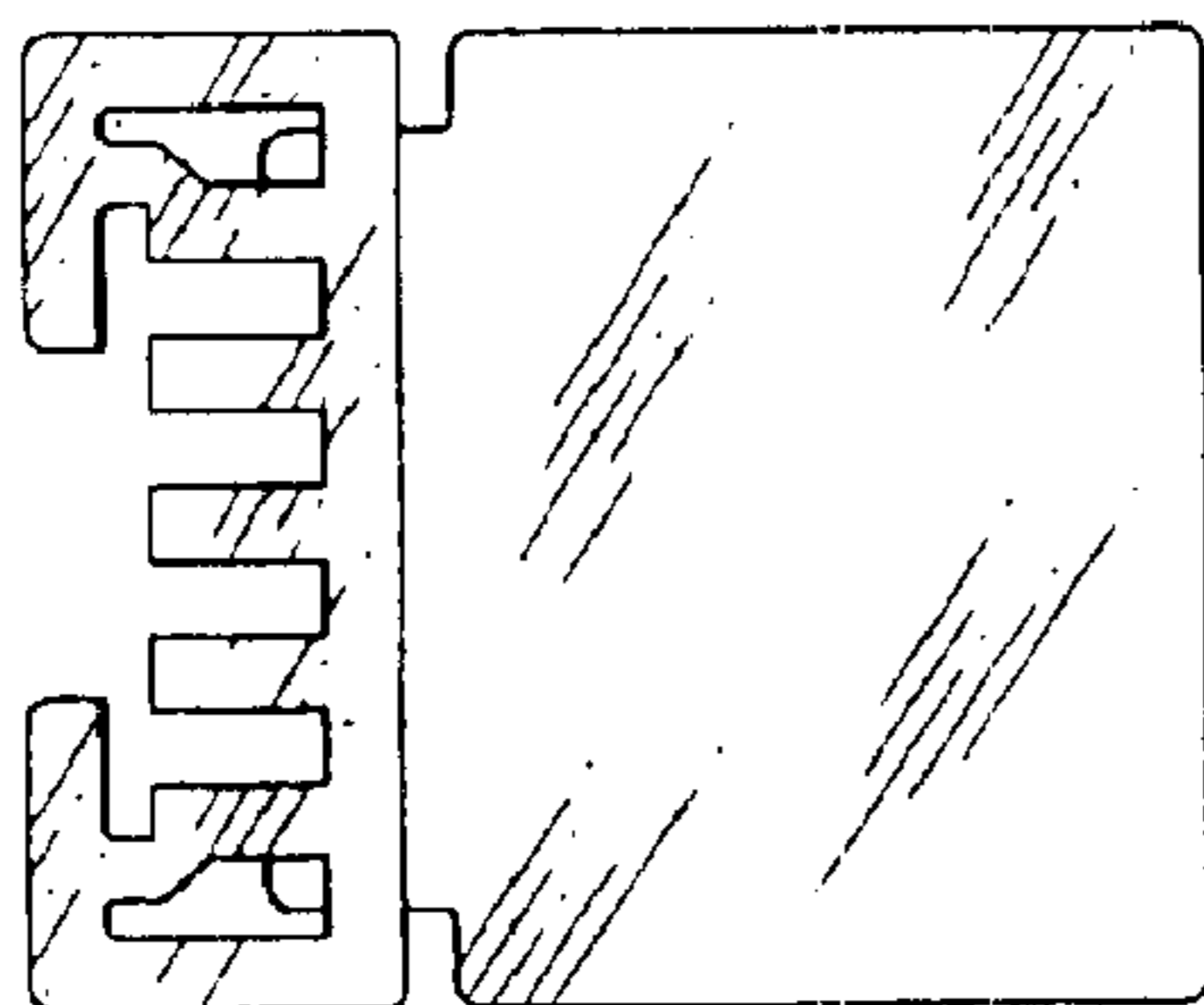


Fig. 13

