

US00D505844S

(12) **United States Design Patent**
Houghton

(10) **Patent No.:** **US D505,844 S**
(45) **Date of Patent:** **** Jun. 7, 2005**

(54) **HEDGE TRIMMER**

(75) Inventor: **Stephen Houghton**, Newcastle upon Tyne (GB)

(73) Assignee: **Black & Decker Inc.**, Newark, DE (US)

(**) Term: **14 Years**

(21) Appl. No.: **29/188,270**

(22) Filed: **Aug. 15, 2003**

(30) **Foreign Application Priority Data**

Feb. 17, 2003 (GB) 3010952

(51) **LOC (8) Cl.** **08-01**

(52) **U.S. Cl.** **D8/8**

(58) **Field of Search** D8/8; 56/12.7

(56) **References Cited**

U.S. PATENT DOCUMENTS

D382,451 S * 8/1997 Kikuchi D8/8
D462,882 S * 9/2002 Evans D8/8
D463,228 S * 9/2002 Cooper D8/8
D463,229 S * 9/2002 Gabriel D8/8
D468,600 S * 1/2003 Evans D8/8

FOREIGN PATENT DOCUMENTS

GB GB 2305347 A * 4/1997 A01G/3/053

OTHER PUBLICATIONS

Design 3010952 (Black & Decker) Apr. 23, 2003 [online] [retrieved on Sep. 27, 2004] from Great Britain design patent database.*

* cited by examiner

Primary Examiner—Holly Baynham

(74) *Attorney, Agent, or Firm*—Paul L. Ratcliffe; Bruce S. Shapiro; Charles E. Yocum

(57) **CLAIM**

The ornamental design for a hedge trimmer, as shown and described.

DESCRIPTION

FIG. 1 is a front perspective view from one side with the handle in line;

FIG. 2 is a rear perspective view from other side with the handle in line;

FIG. 3 is a view from one side with the handle in line;

FIG. 4 is a view from other side with the handle in line;

FIG. 5 is a plan view with the handle in line;

FIG. 6 is an underneath view with the handle in line;

FIG. 7 is a front and rear views with the handle in line;

FIG. 8 is a front perspective view from one side with the handle at 90°;

FIG. 9 is a rear perspective view from other side with the handle at 90°;

FIG. 10 view from one side with the handle at 90°;

FIG. 11 view from other side with the handle at 90°;

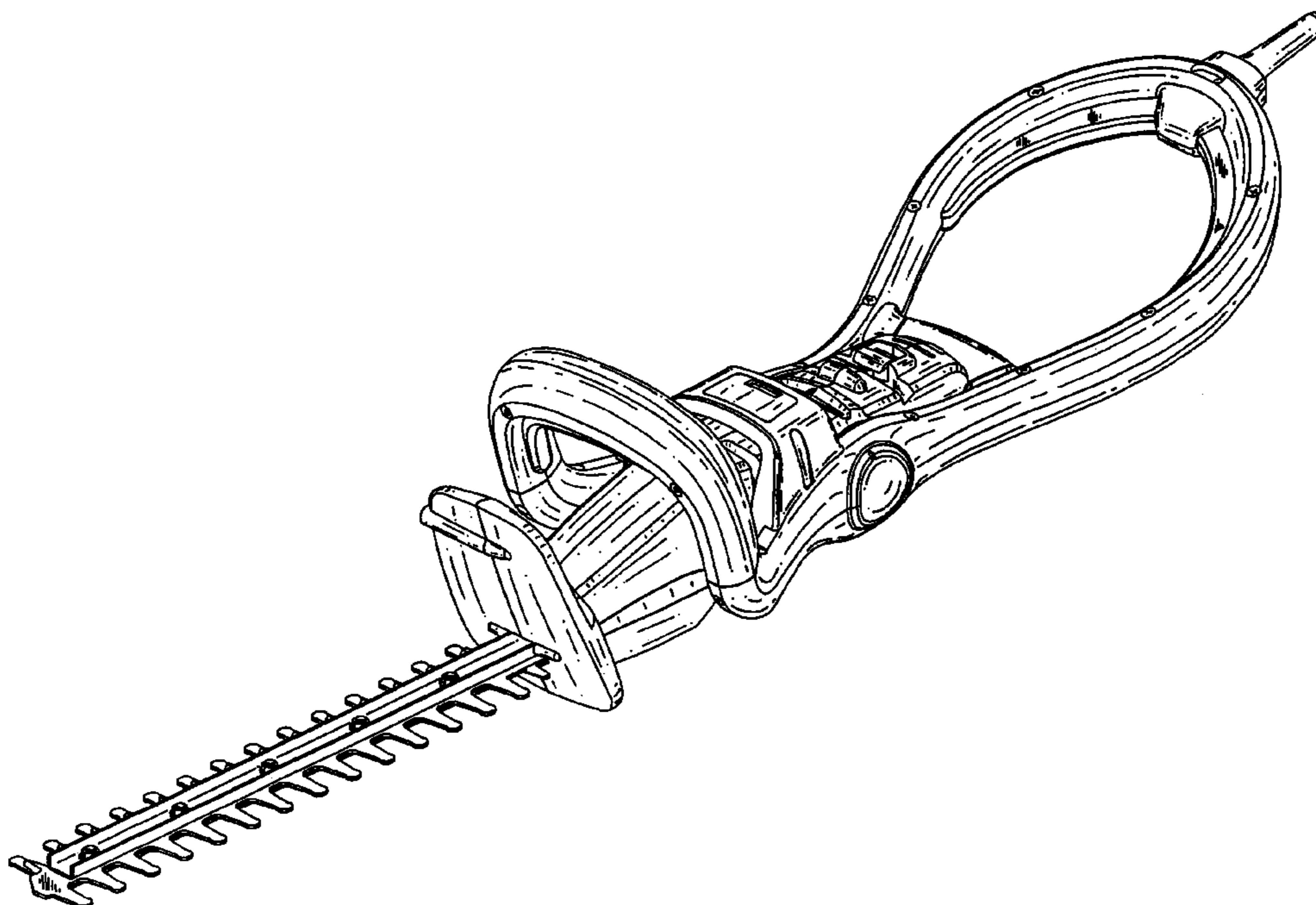
FIG. 12 plan view with the handle at 90°;

FIG. 13 underneath view with the handle at 90°;

FIG. 14 front view with the handle at 90°; and,

FIG. 15 rear view with the handle at 90°.

1 Claim, 15 Drawing Sheets



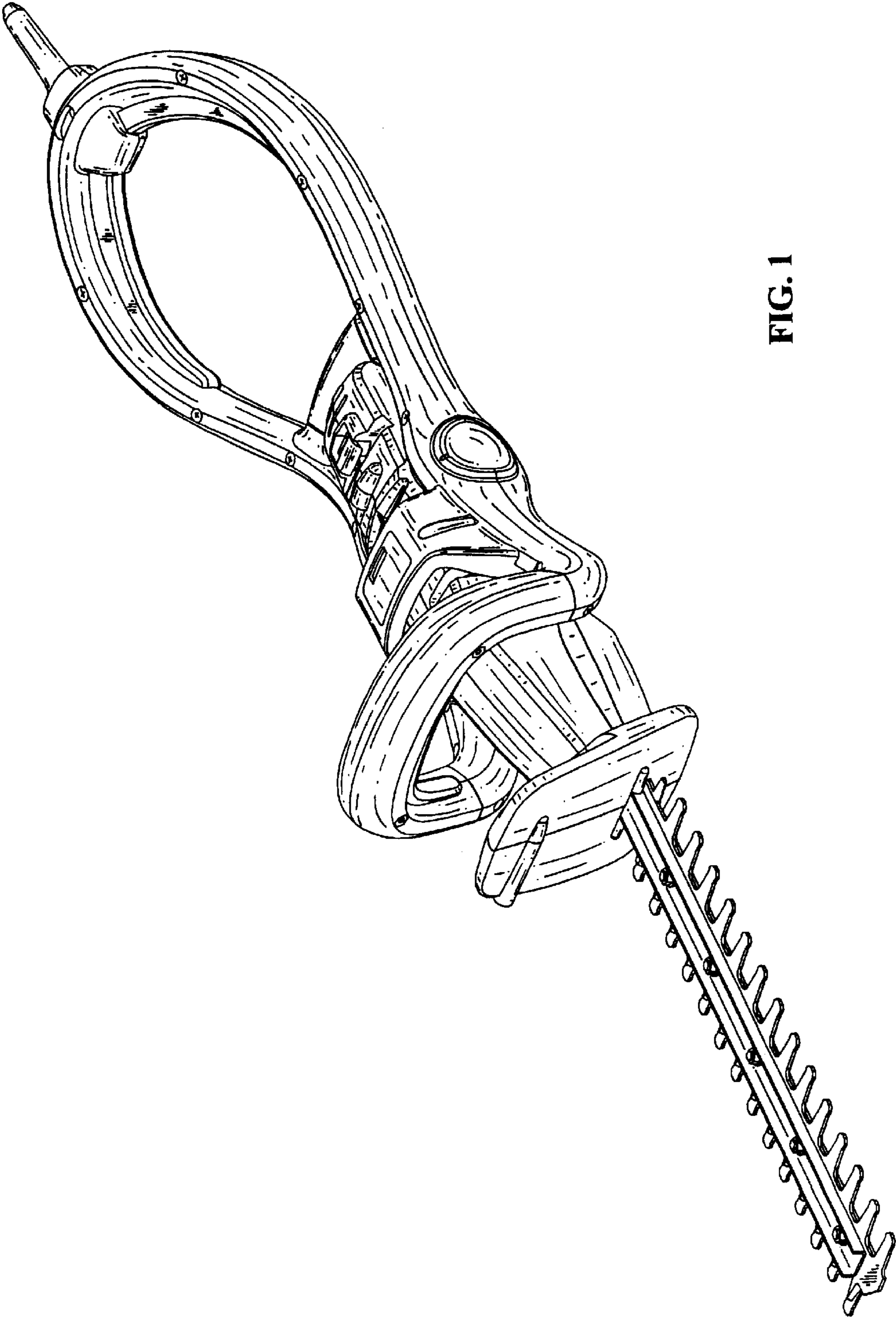


FIG. 1

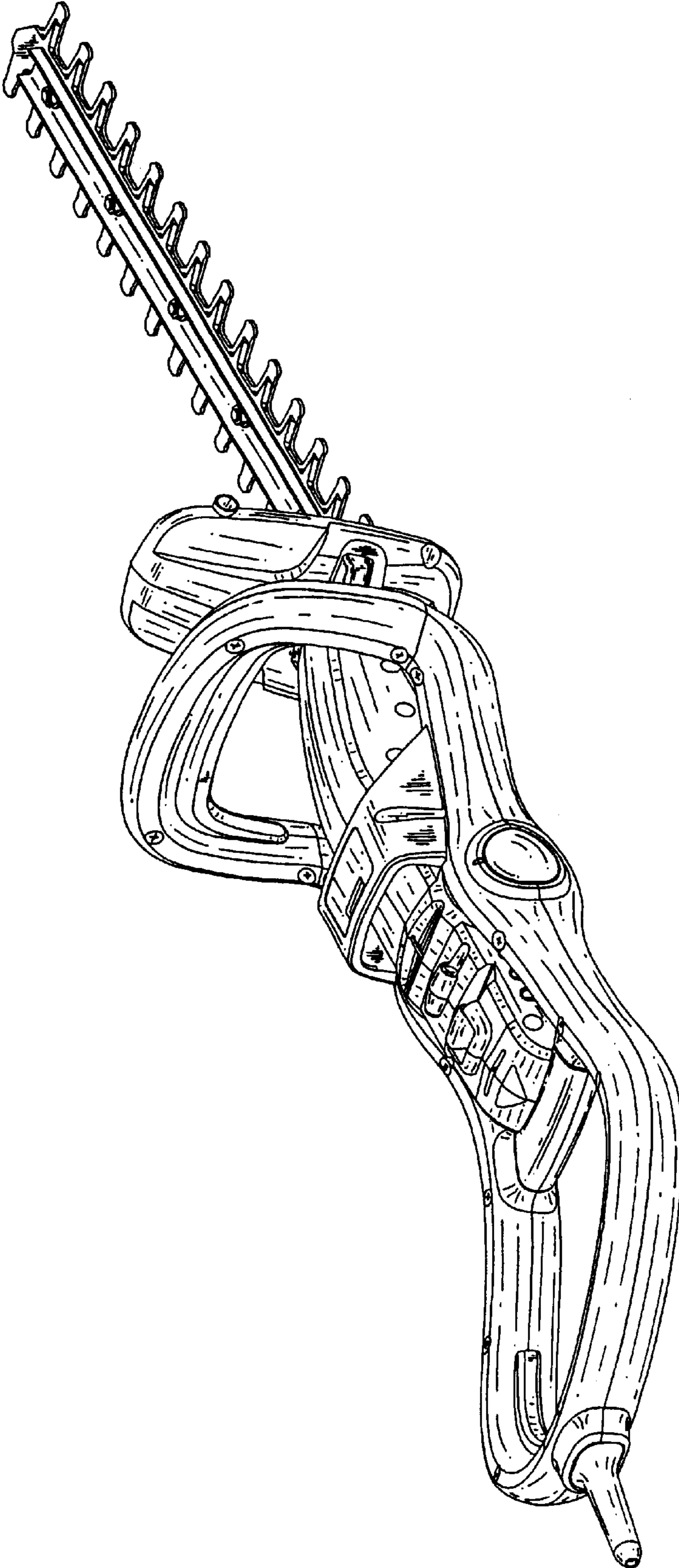


FIG. 2

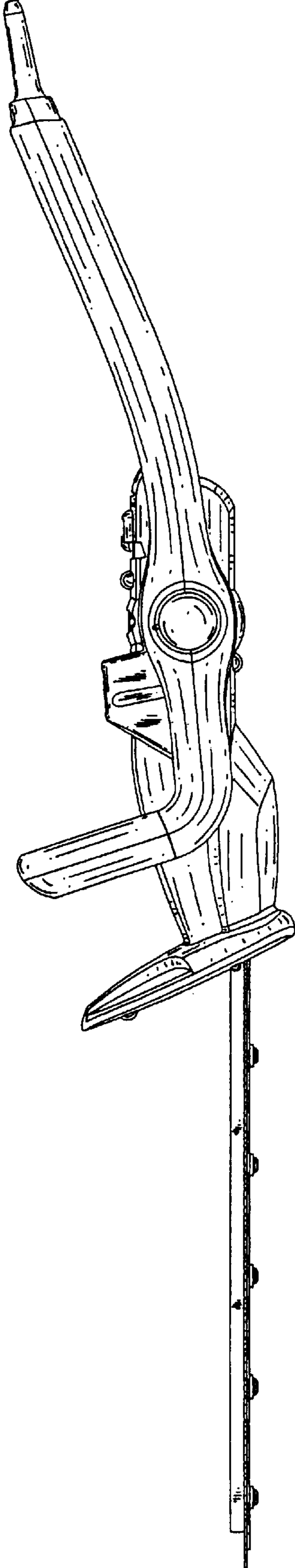


FIG. 3

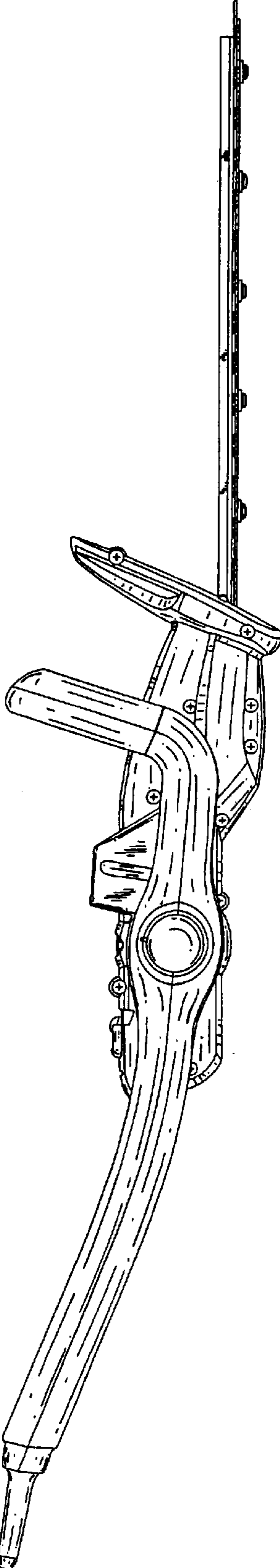


FIG. 4

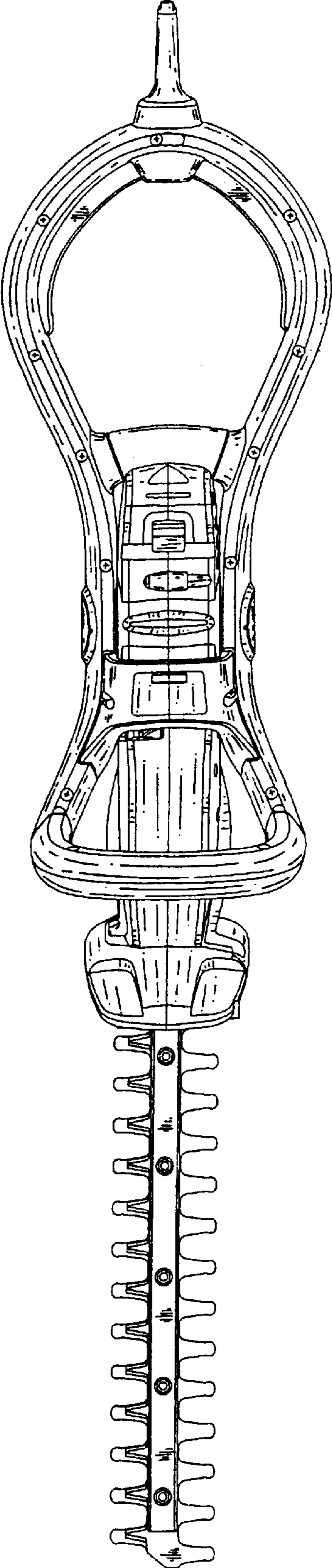


FIG. 5

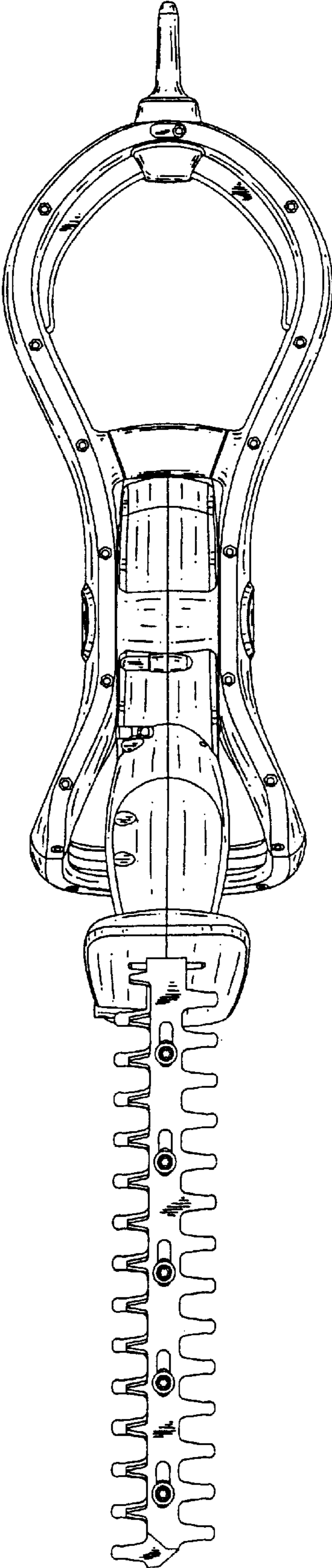


FIG. 6

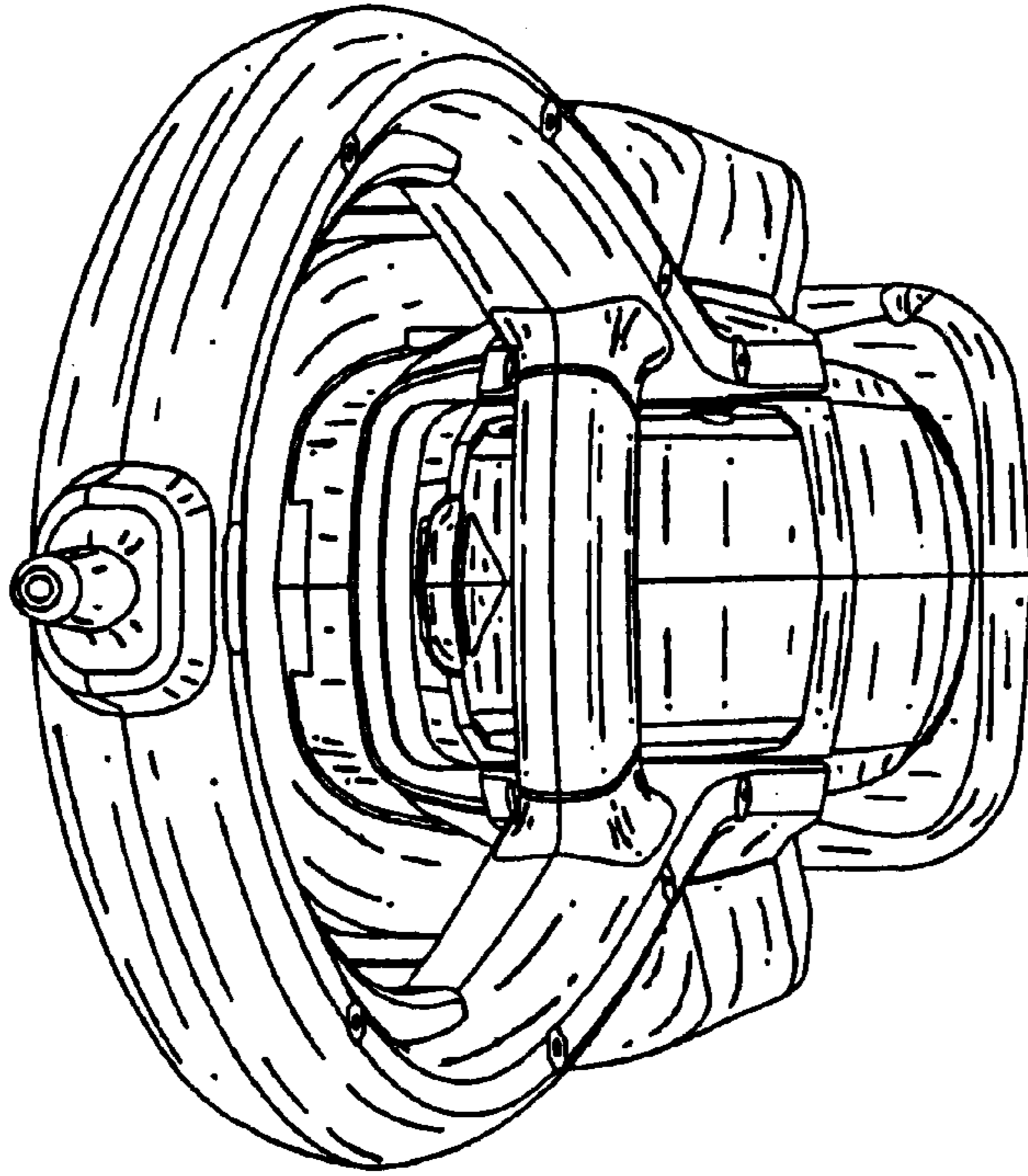


FIG. 8

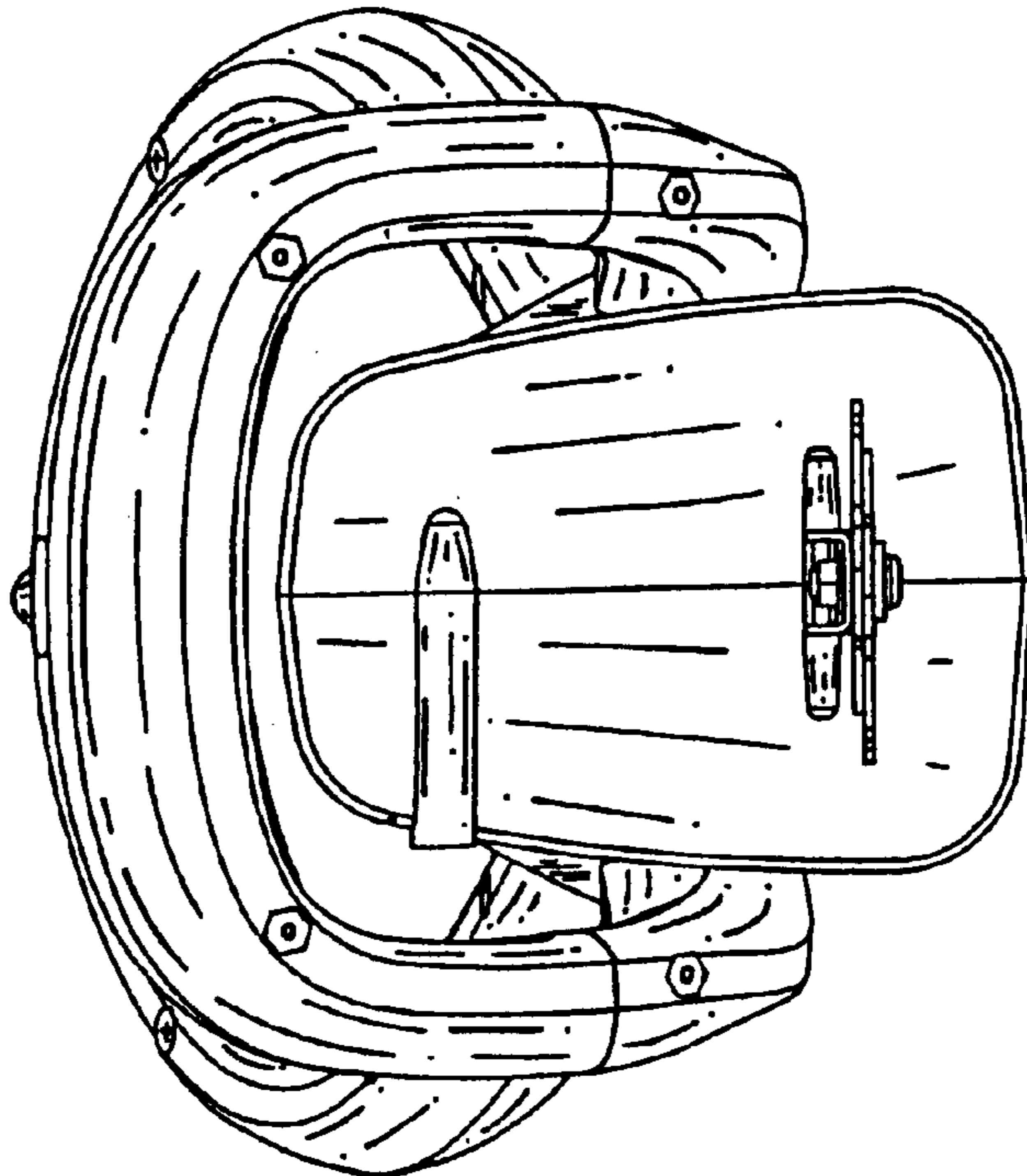


FIG. 7

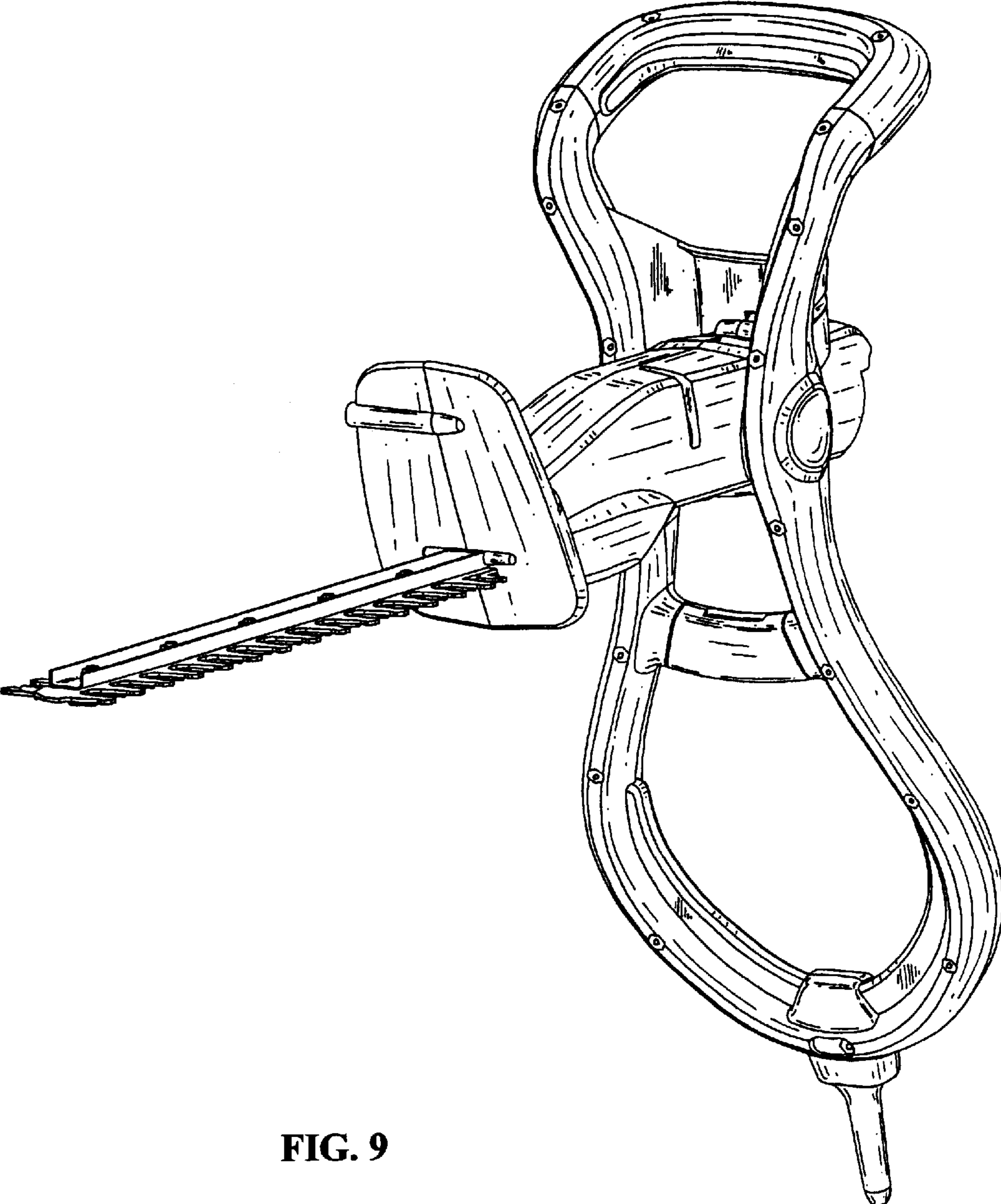


FIG. 9

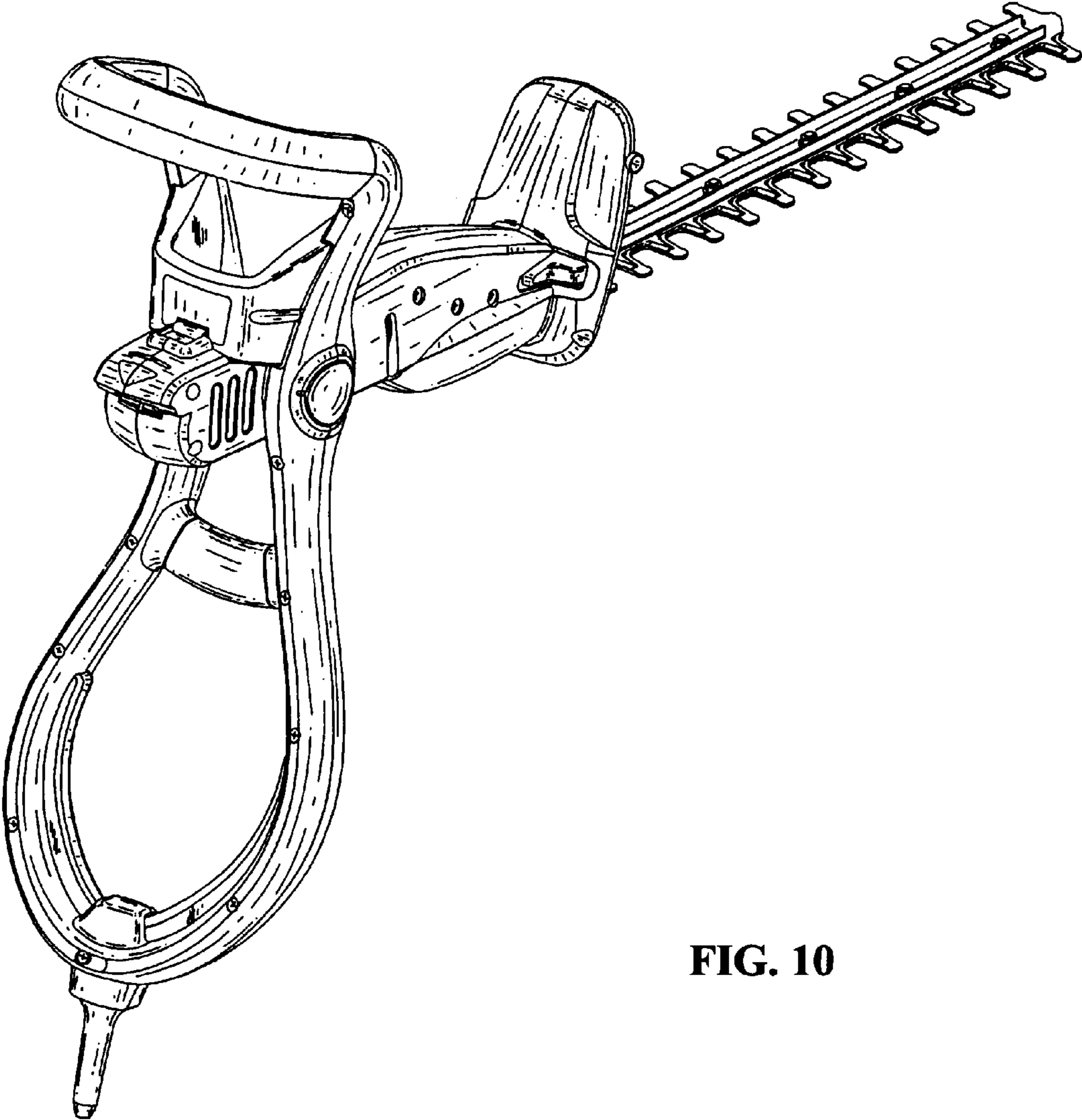


FIG. 10

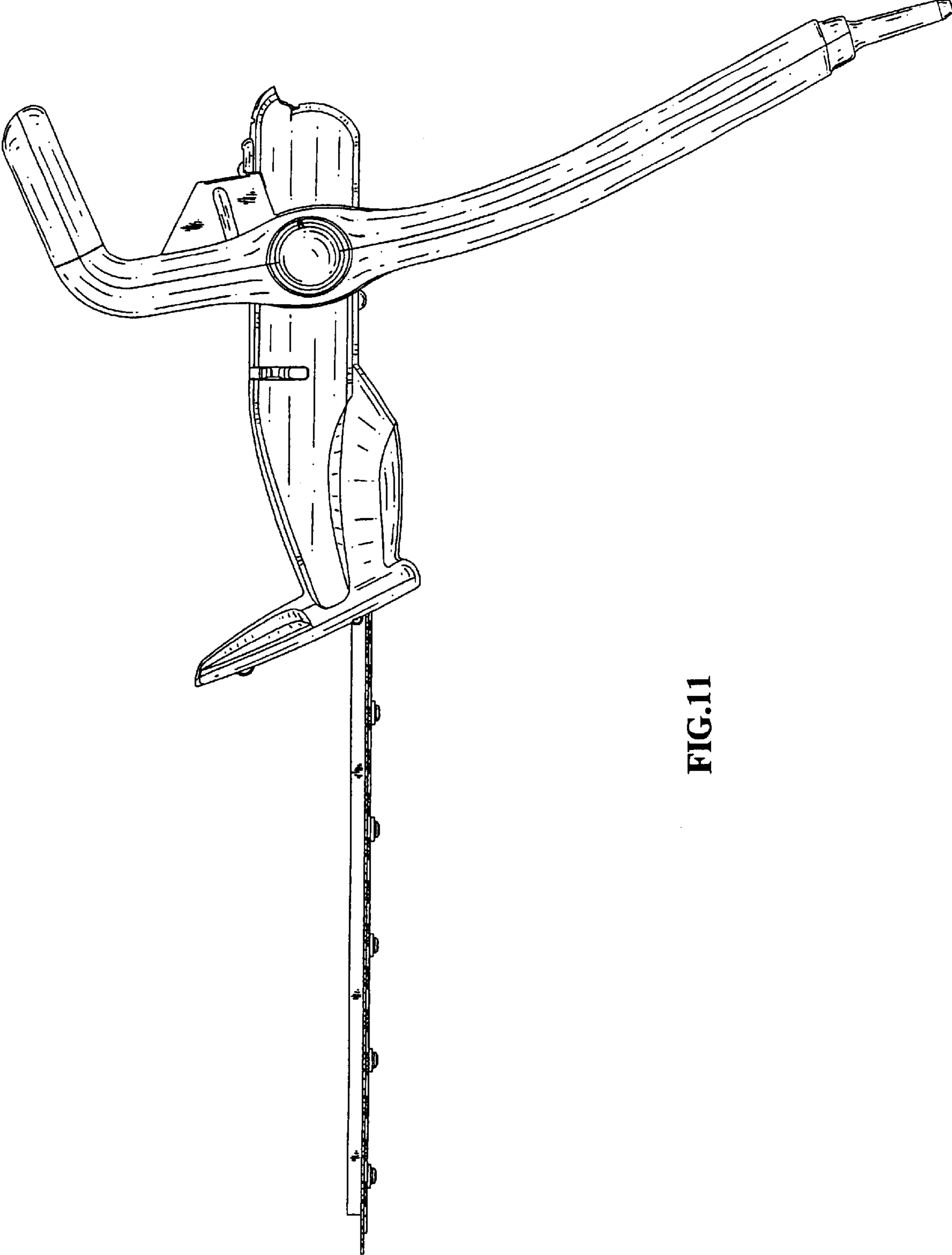


FIG.11

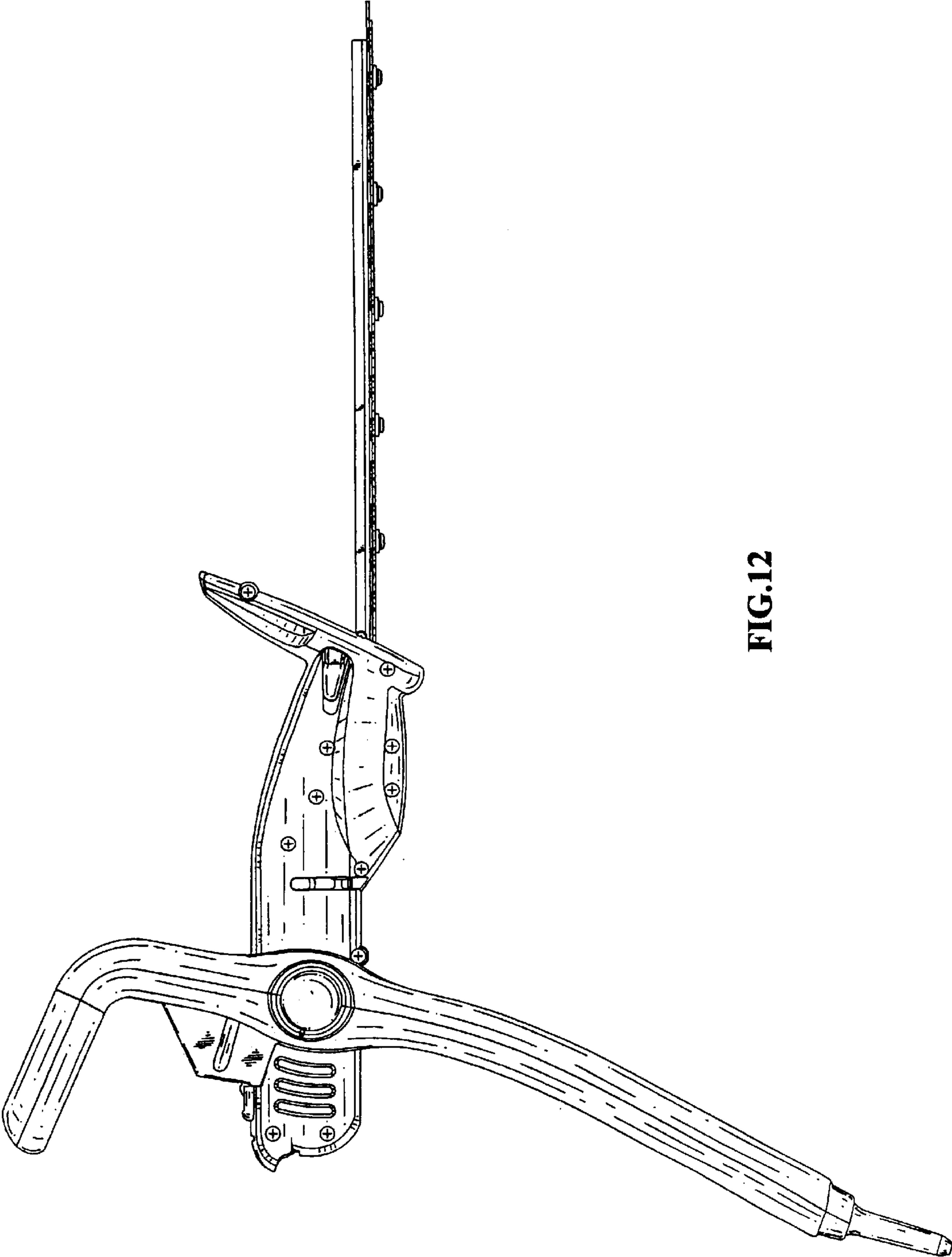


FIG.12

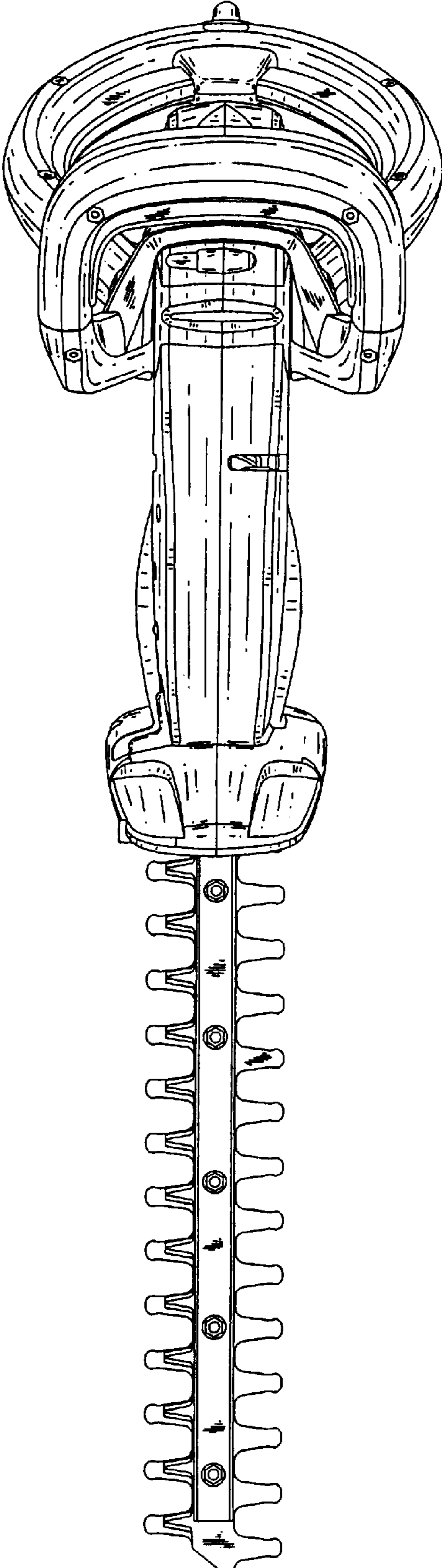


FIG.13

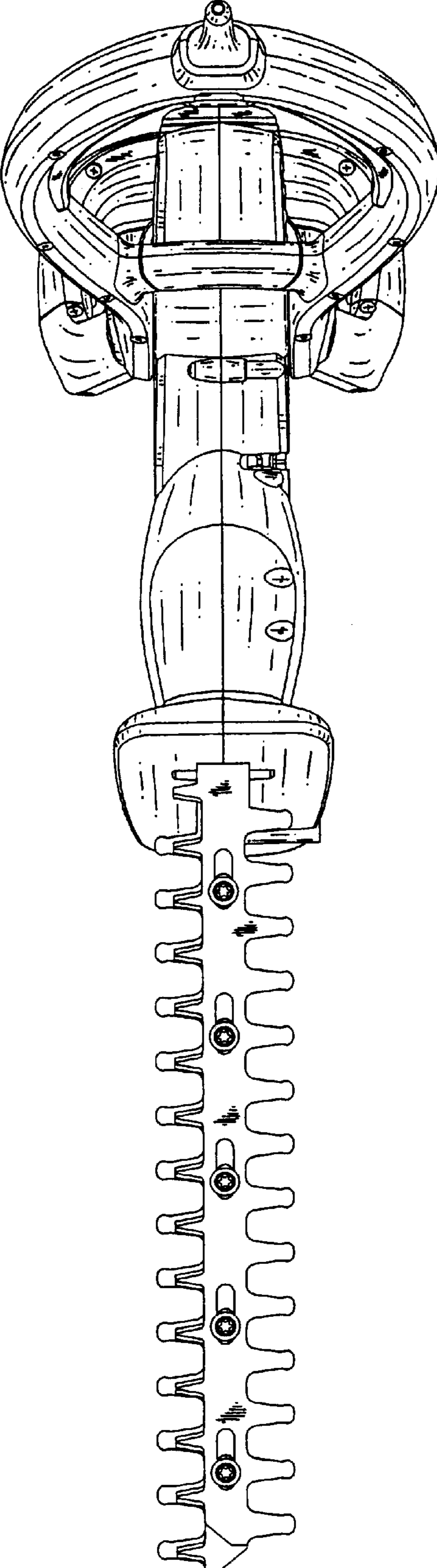


FIG.14

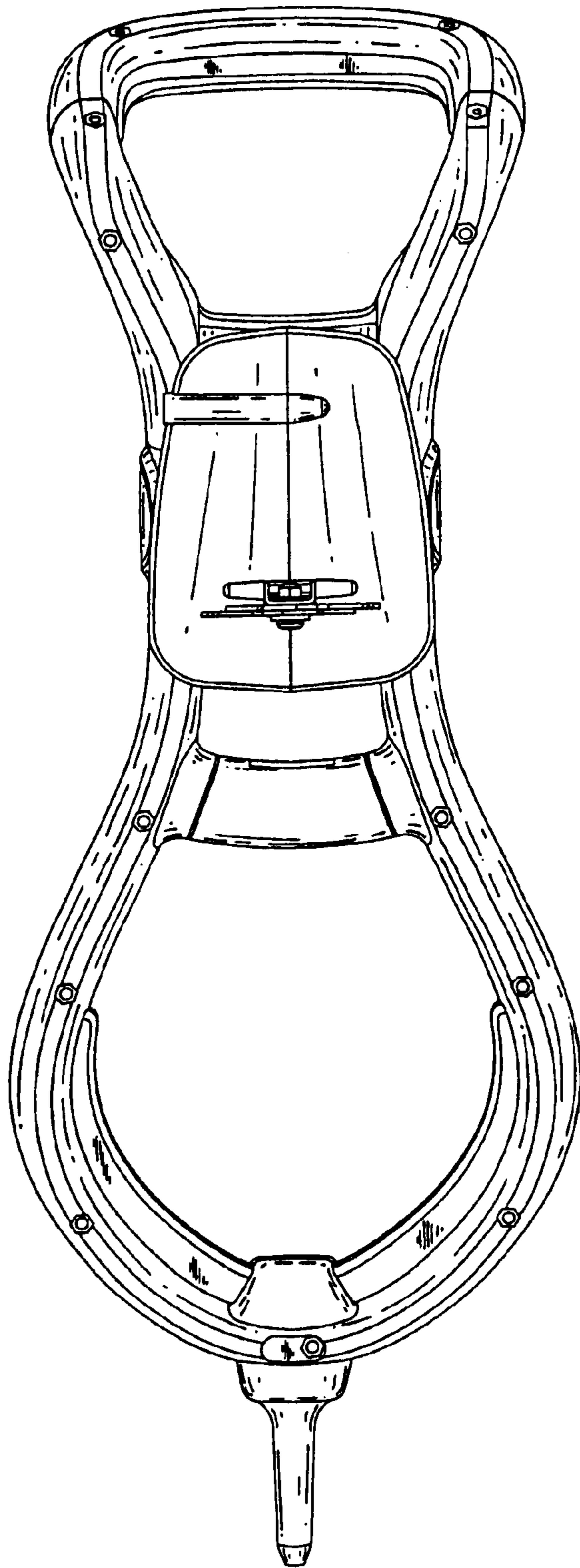


FIG.15

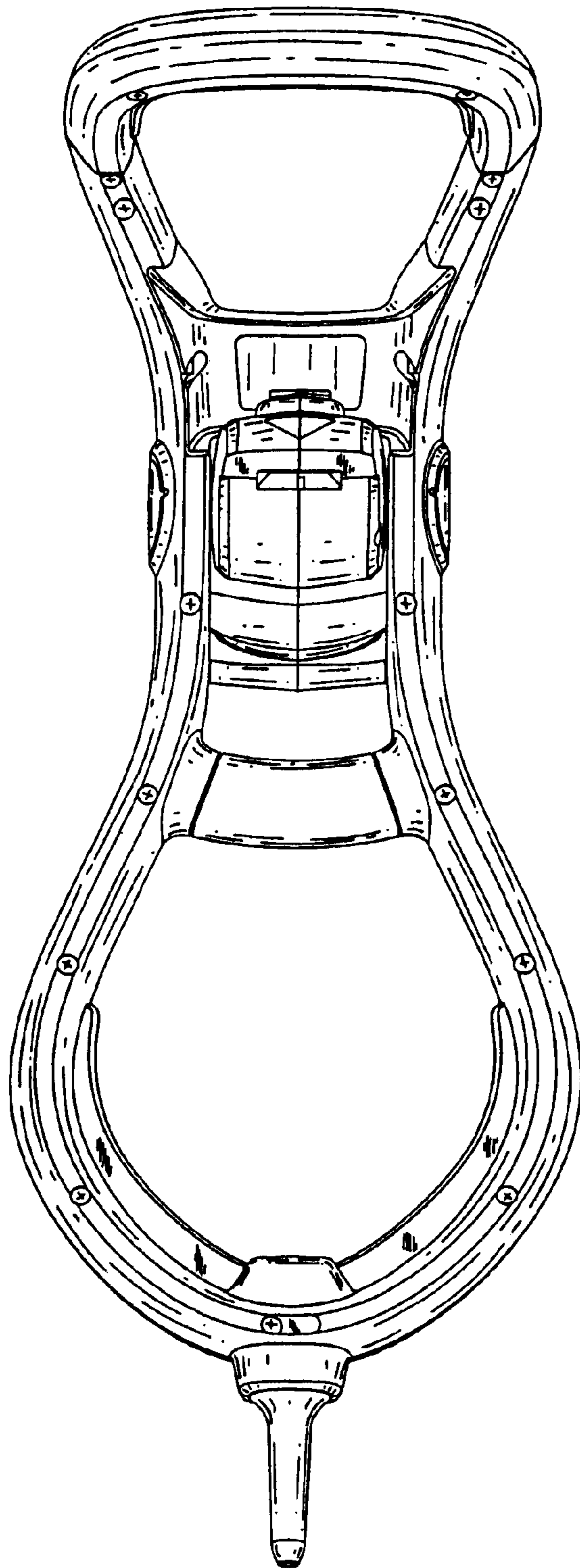


FIG.16