

US00D505843S

(12) **United States Design Patent**
Krieger et al.

(10) **Patent No.:** **US D505,843 S**
(45) **Date of Patent:** **** Jun. 7, 2005**

- (54) **LUNCHBOX WITH COOLER/WARMER**
- (75) Inventors: **Michael Krieger**, Miami Beach, FL (US); **Kevin Ellsworth**, Hollywood, FL (US)
- (73) Assignee: **Vector Products, Inc.**, Ft. Lauderdale, FL (US)
- (**) Term: **14 Years**

D459,636 S 7/2002 Krieger et al. D7/605
 D462,878 S 9/2002 Krieger D7/605
 D467,468 S 12/2002 Krieger et al. D7/605

Primary Examiner—Terry A. Wallace
 (74) *Attorney, Agent, or Firm*—Venable LLP; Robert Kinberg

- (21) Appl. No.: **29/208,448**
- (22) Filed: **Jun. 30, 2004**

Related U.S. Application Data

- (62) Division of application No. 29/181,036, filed on May 5, 2003, now Pat. No. Des. 497,783.
- (51) **LOC (8) Cl.** **07-99**
- (52) **U.S. Cl.** **D7/709; D7/605**
- (58) **Field of Search** D7/605–608, 709, D7/710; 62/457.1–457.7, 371, 372, 3.62; D15/81; 220/592.16, 592.17, 592.2, 592.23–592.27, 915.1, 915.2

(56) **References Cited**

U.S. PATENT DOCUMENTS

5,319,937 A 6/1994 Fritsch et al. 62/3.62

(57) **CLAIM**

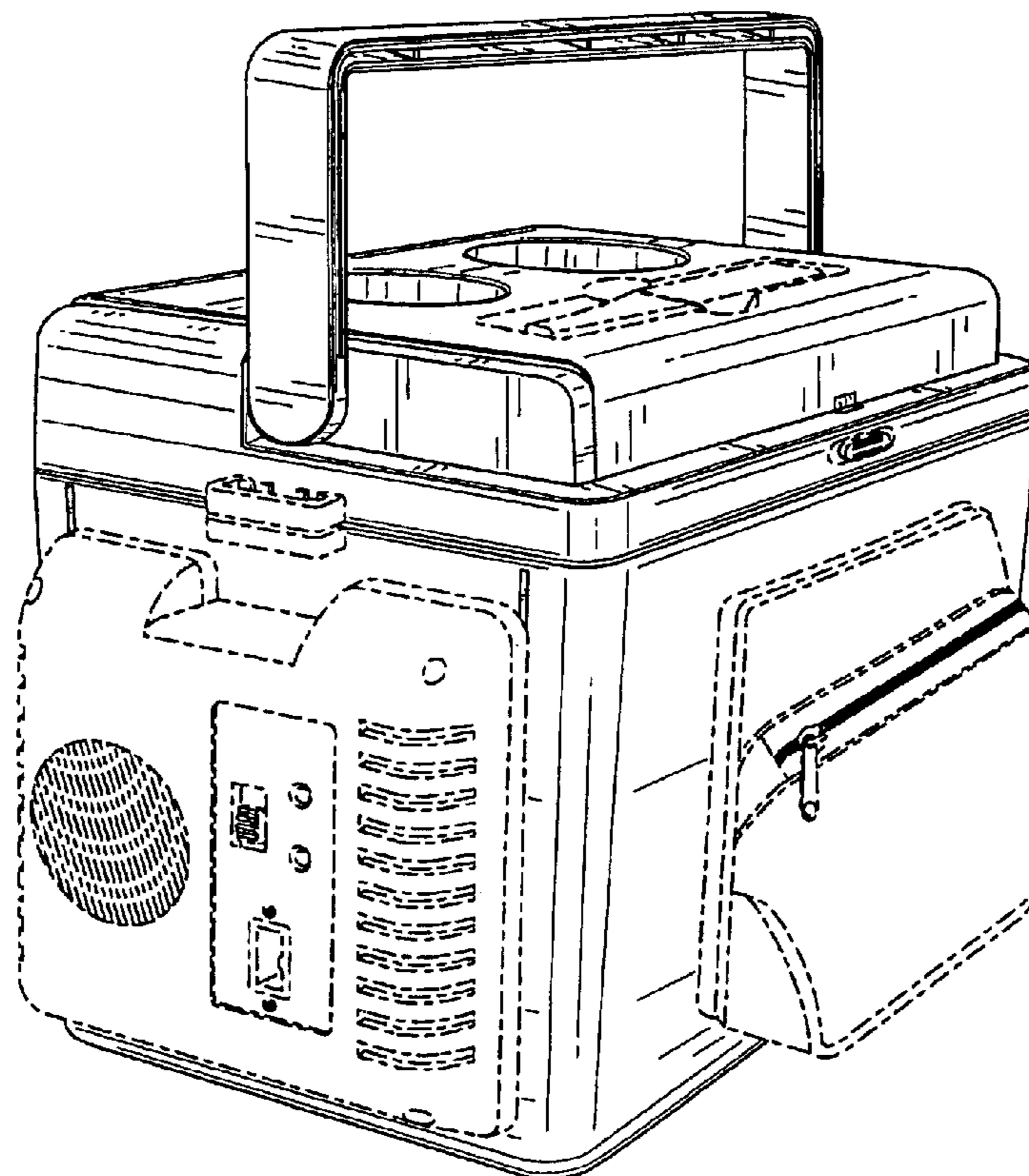
The ornamental design for a lunchbox with cooler/warmer, as shown and described.

DESCRIPTION

FIG. 1 is a perspective view from the front-top-left side of the lunchbox with cooler/warmer showing our new design; FIG. 2 is a front view of the design shown in FIG. 1; FIG. 3 is a rear view of the design shown in FIG. 1; FIG. 4 is a right side view of the design shown in FIG. 1; FIG. 5 is a left side view of the design shown in FIG. 1; FIG. 6 is a top view of the design shown in FIG. 1; FIG. 7 is a bottom view of the design shown in FIG. 1; and, FIG. 8 is the perspective view shown in FIG. 1 with an attached flexible strap shown in broken lines.

The broken lines immediately adjacent the shaded areas represent the bounds of the claimed design while all other broken lines are for illustrative purposes only; the broken lines form no part of the claimed design.

1 Claim, 7 Drawing Sheets



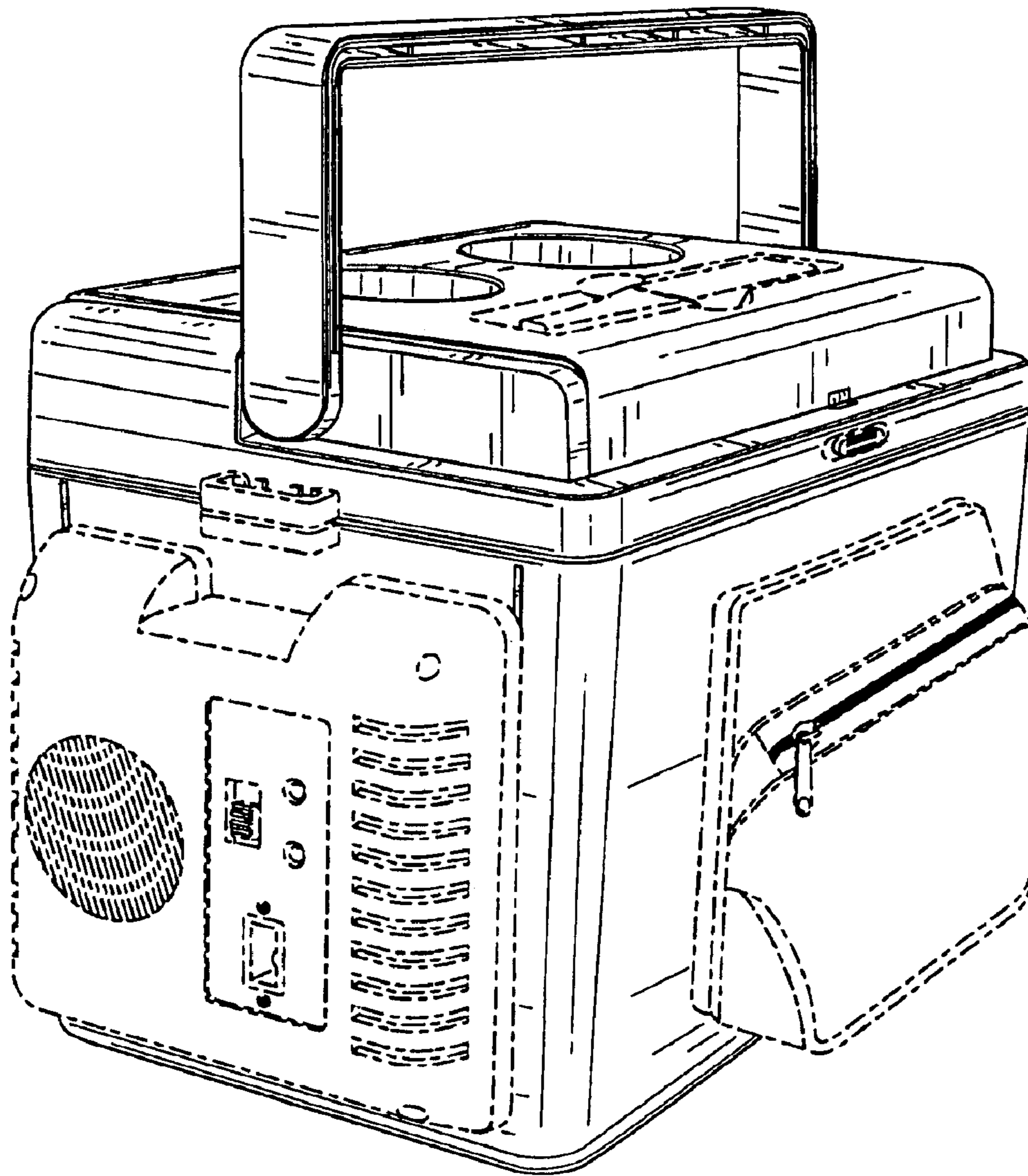


FIG. 1

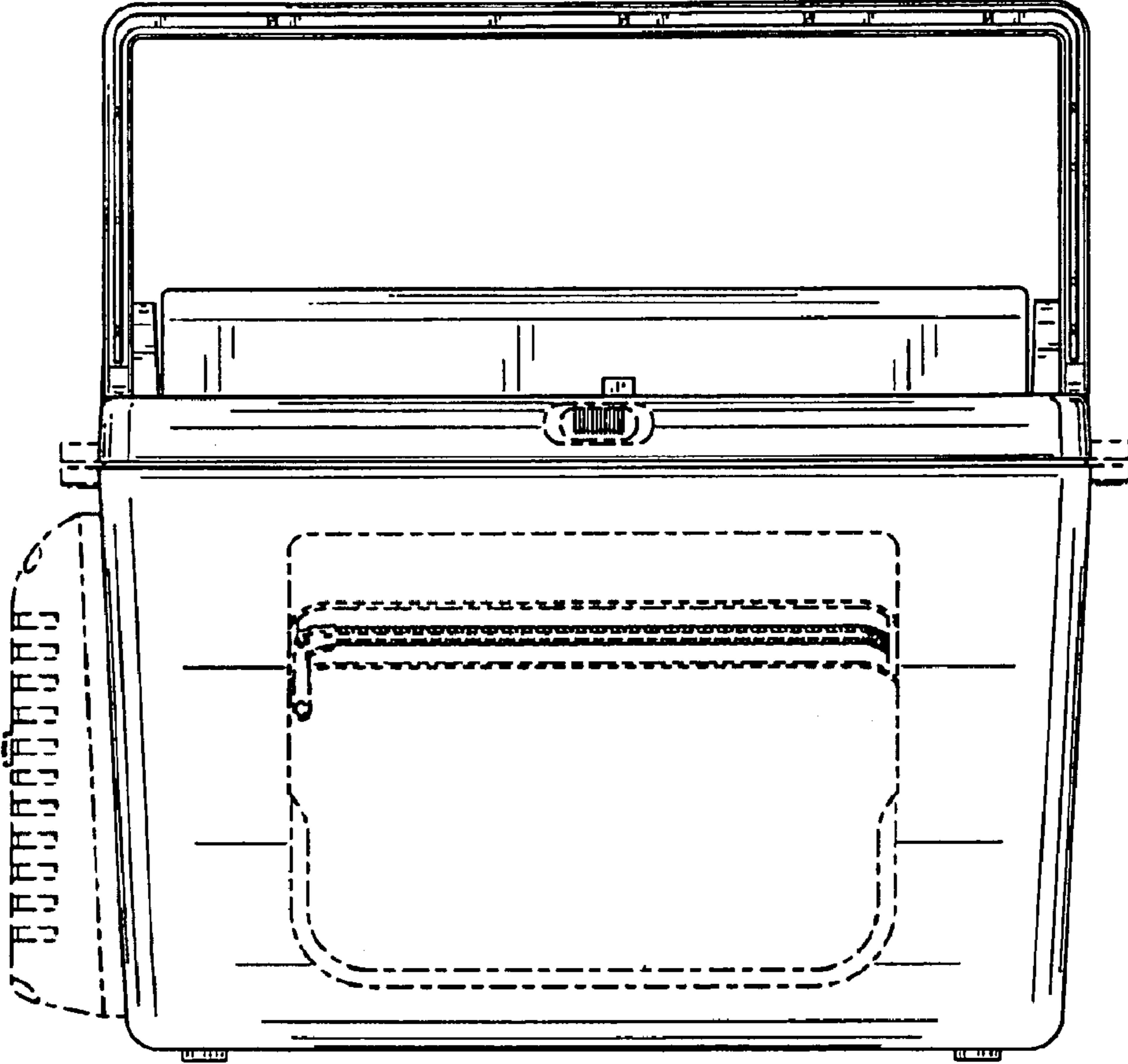


FIG. 2

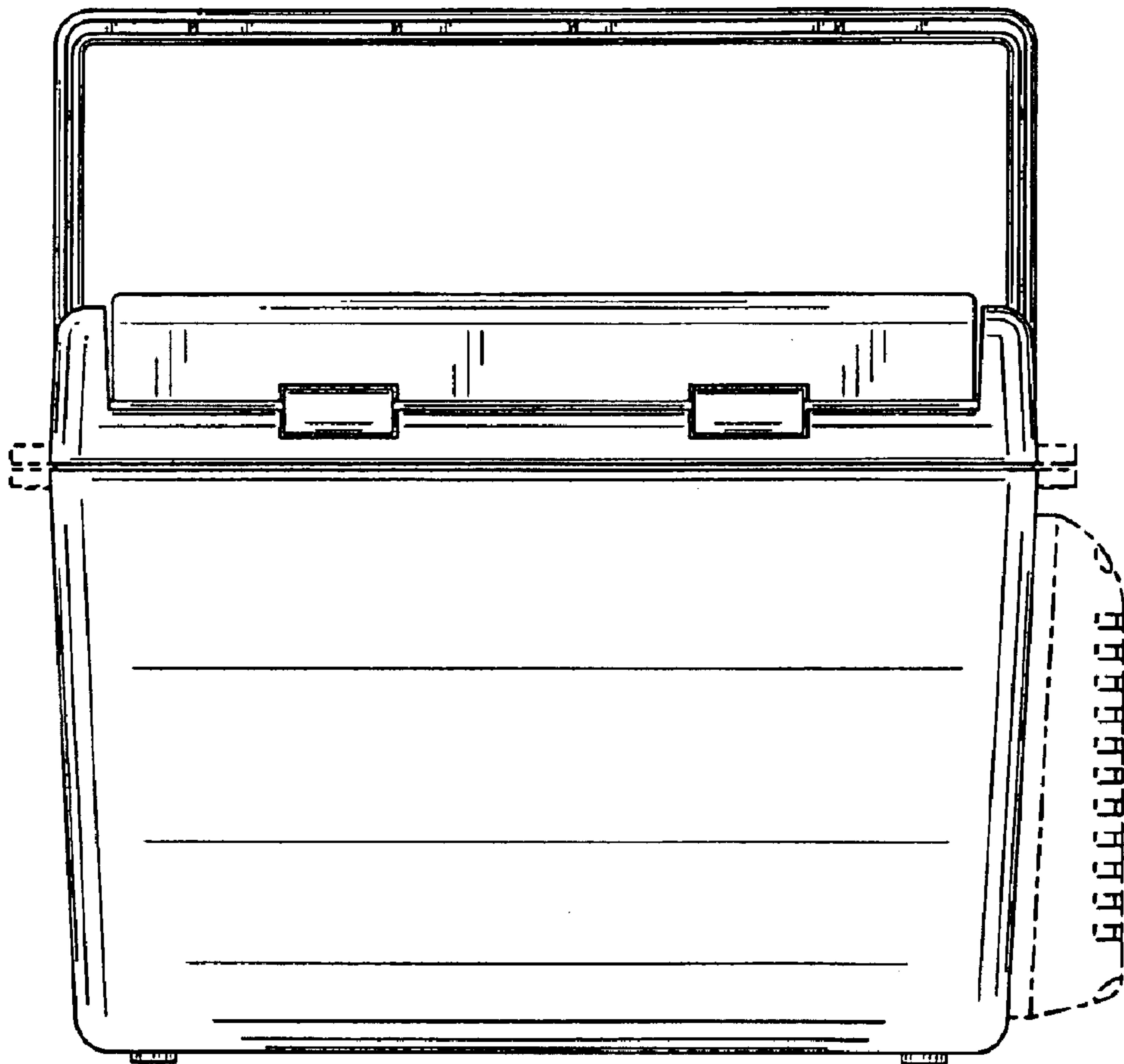


FIG. 3

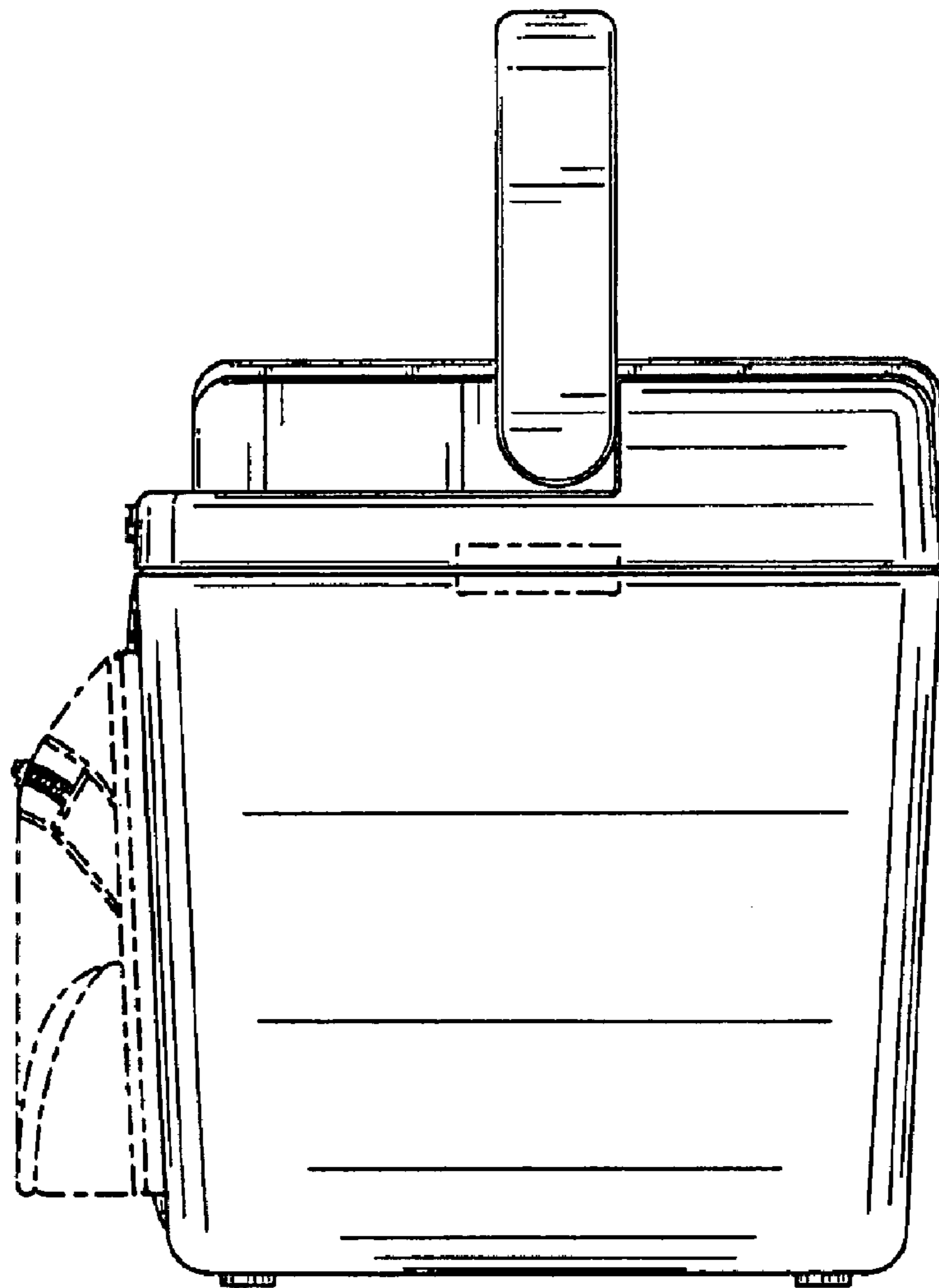


FIG. 4

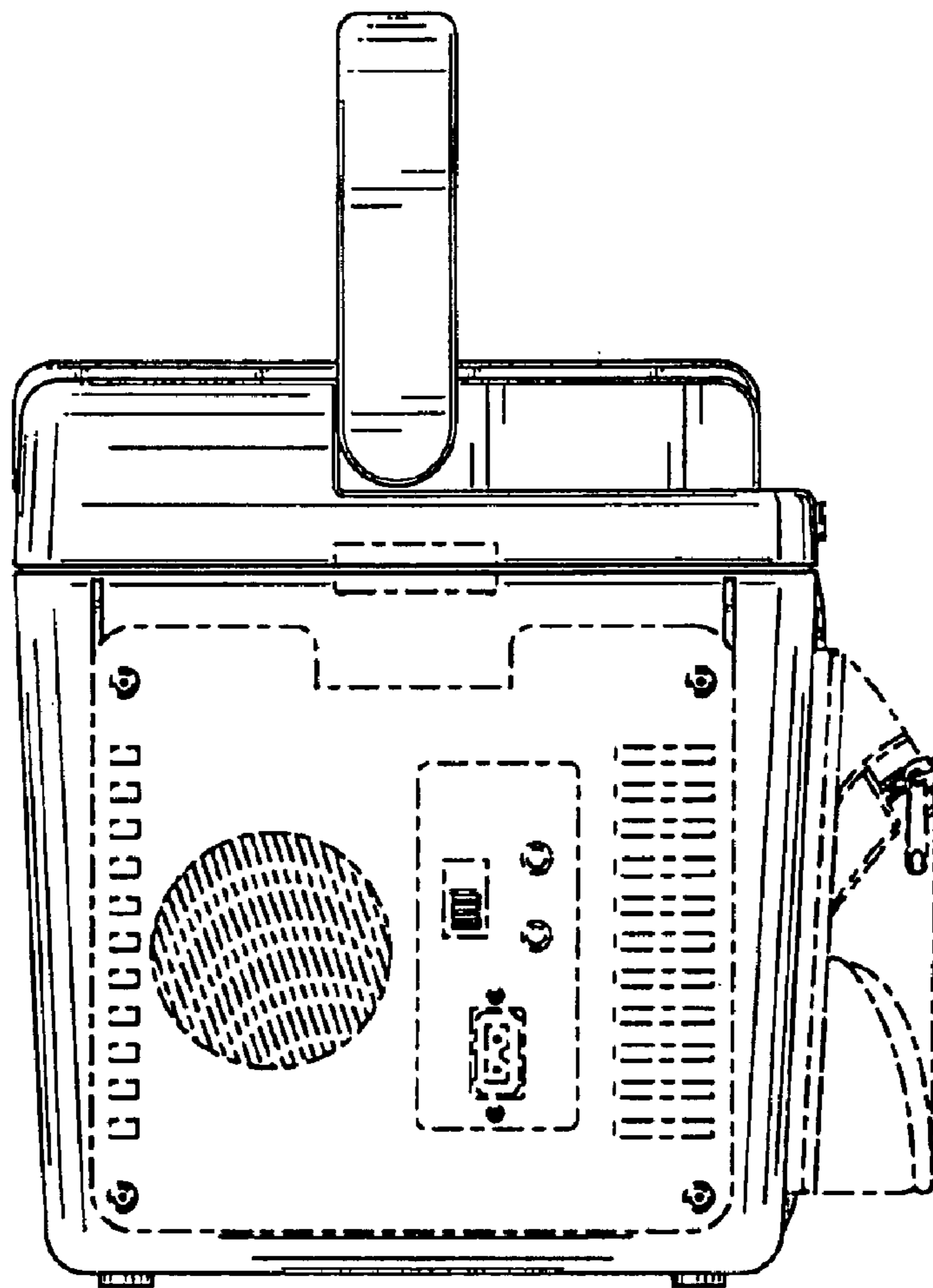


FIG. 5

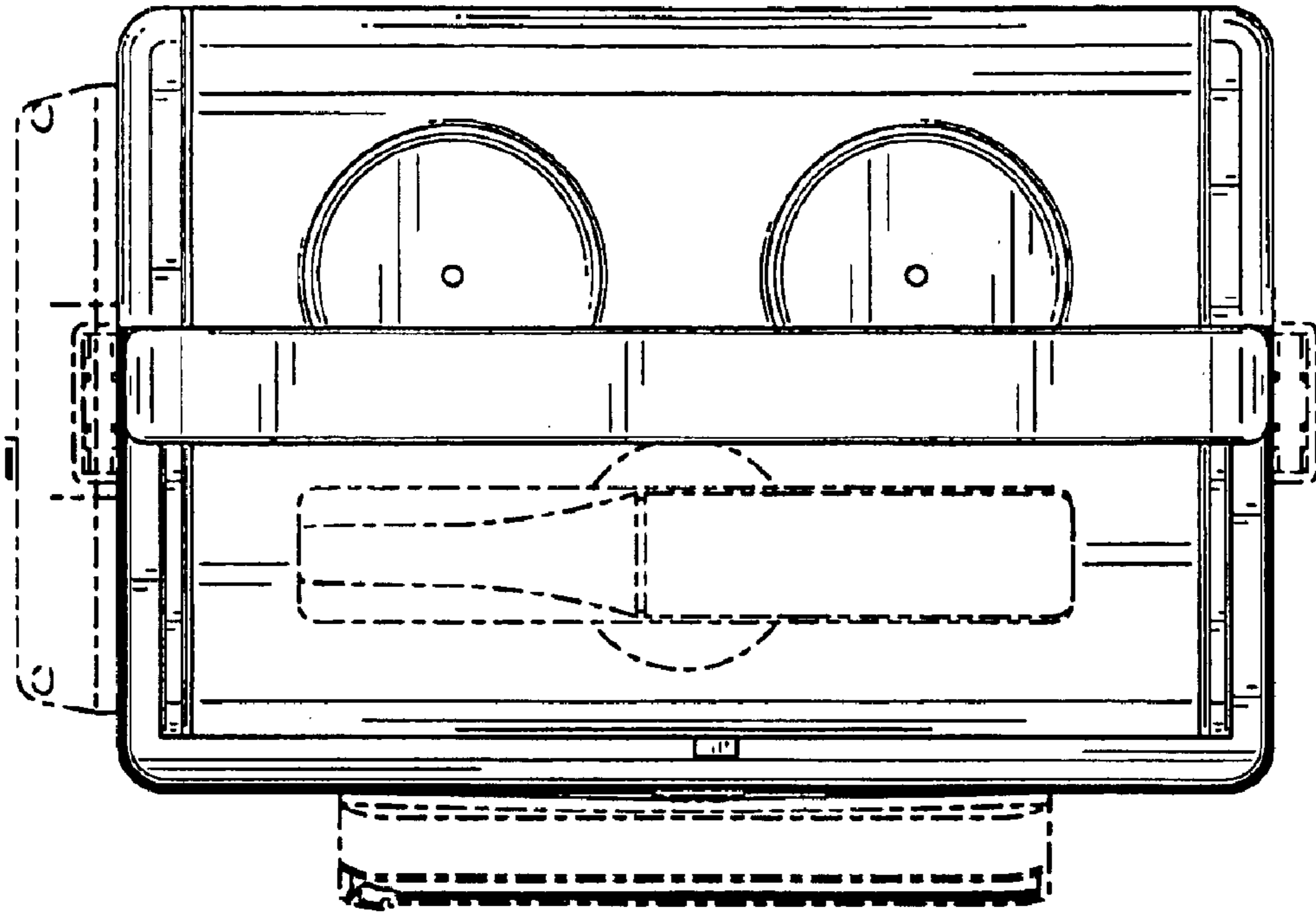


FIG. 6

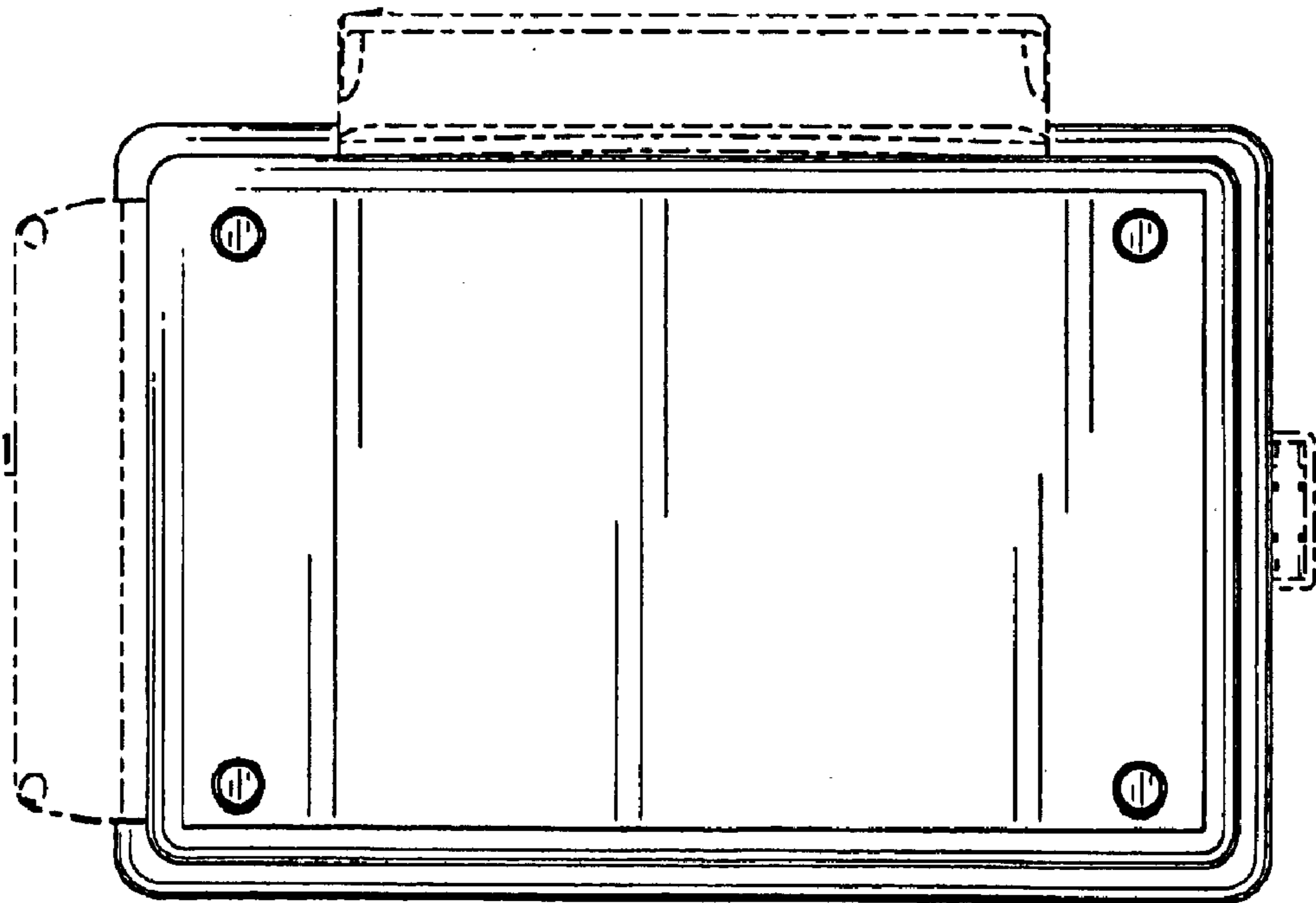


FIG. 7

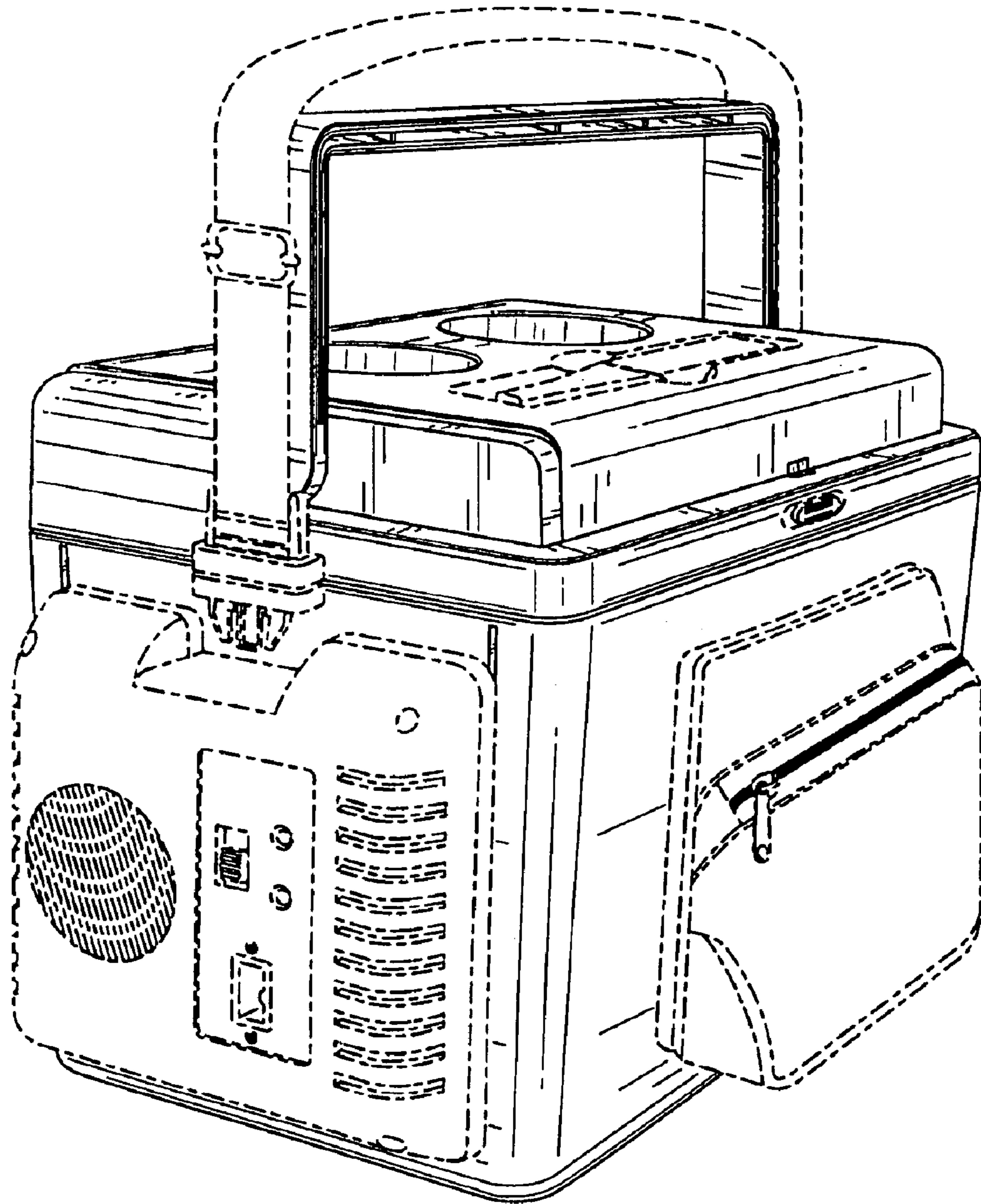


FIG. 8