



US00D505841S

(12) **United States Design Patent**
Fiedeler et al.

(10) **Patent No.:** **US D505,841 S**
(45) **Date of Patent:** **** Jun. 7, 2005**

(54) **BAR SET RACK**

(75) Inventors: **Heinrich Fiedeler**, Wiesbaden (DE);
Michael Raasch, Wiesbaden (DE)

(73) Assignee: **WMF Wuerttembergische
Metallwarenfabrik AG**, Wiesbaden
(DE)

(**) Term: **14 Years**

(21) Appl. No.: **29/201,479**

(22) Filed: **Mar. 16, 2004**

(51) **LOC (8) Cl.** **07-06**

(52) **U.S. Cl.** **D7/637; D6/525**

(58) **Field of Search** D7/637-641, 701-708;
D6/512-514, 524, 525, 527-535, 567, 569,
571; 211/70.1, 70.6, 70.7, 13.1, 71.01,
74

(56) **References Cited**

U.S. PATENT DOCUMENTS

D127,563 S * 6/1941 Cloutier D7/701
D232,282 S * 8/1974 Wagschal D6/514
D325,149 S * 4/1992 Ancona et al. D7/641

* cited by examiner

Primary Examiner—Terry A. Wallace

(74) *Attorney, Agent, or Firm*—Faegre & Benson LLP

(57) **CLAIM**

The ornamental design for a bar set rack, as shown and described.

DESCRIPTION

FIG. 1 is a perspective view of a bar set rack of the present invention.

FIG. 2 is a top view of the bar set rack of the present invention.

FIG. 3 is a bottom view of the bar set rack of the present invention.

FIG. 4 is a front view of the bar set rack of the present invention.

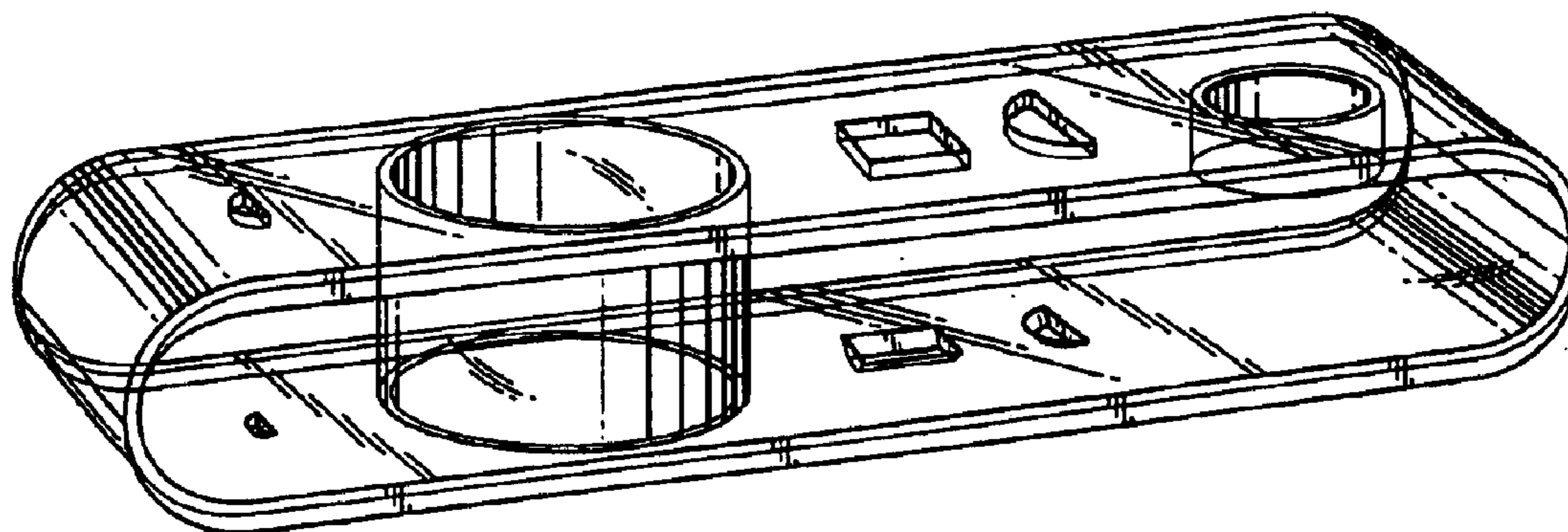
FIG. 5 is a back view of the bar set rack of the present invention.

FIG. 6 is a left side view of the bar set rack of the present invention.

FIG. 7 is a right side view of the bar set rack of the present invention; and,

FIG. 8 is perspective view similar to that of FIG. 1, except with bar tools including a stirrer, cocktail shaker, ice tongs, bar strainer, and measuring cup all shown in phantom as stored in the bar set rack of the present invention.

1 Claim, 4 Drawing Sheets



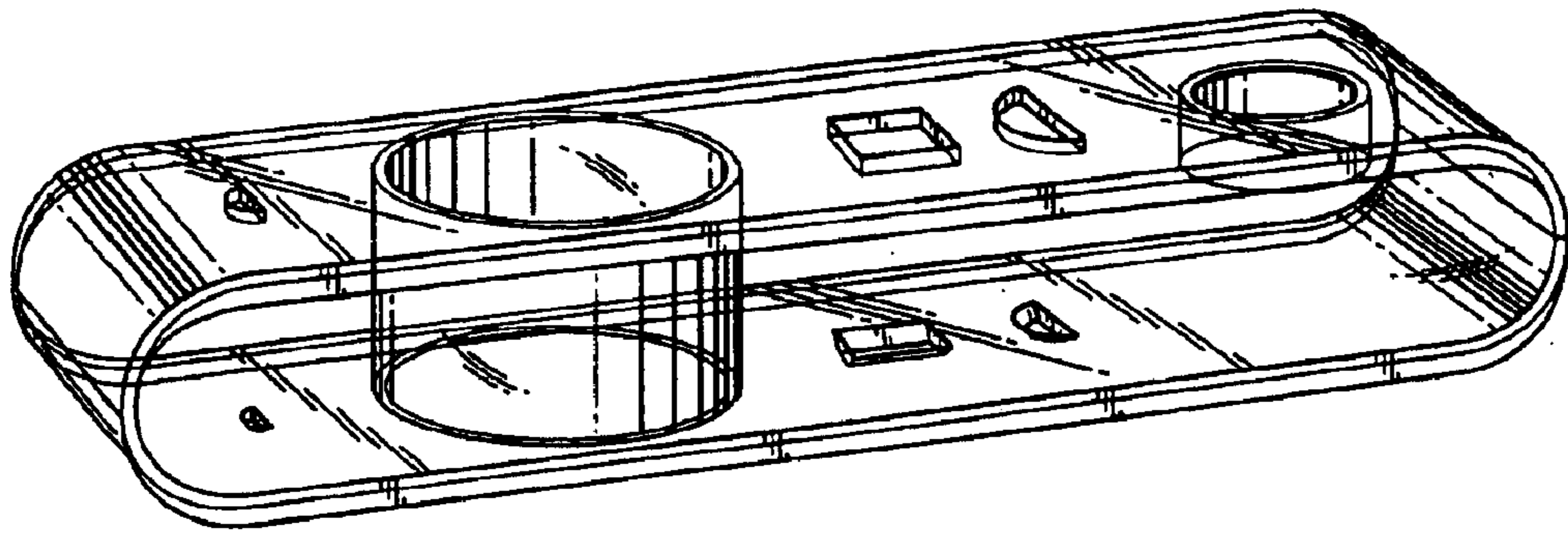


Fig. 1

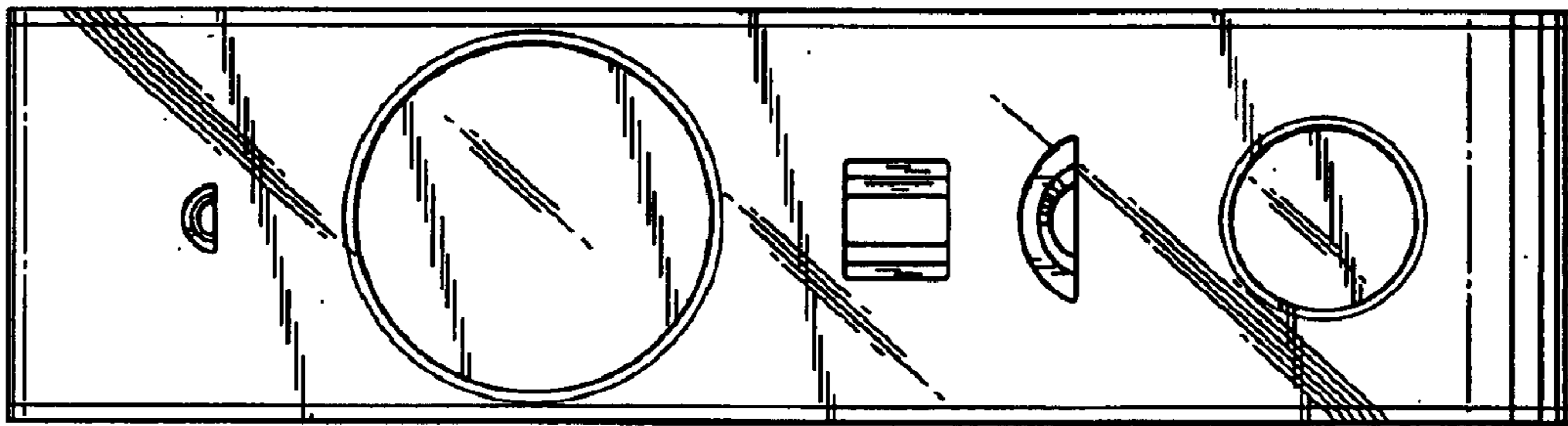


Fig. 2

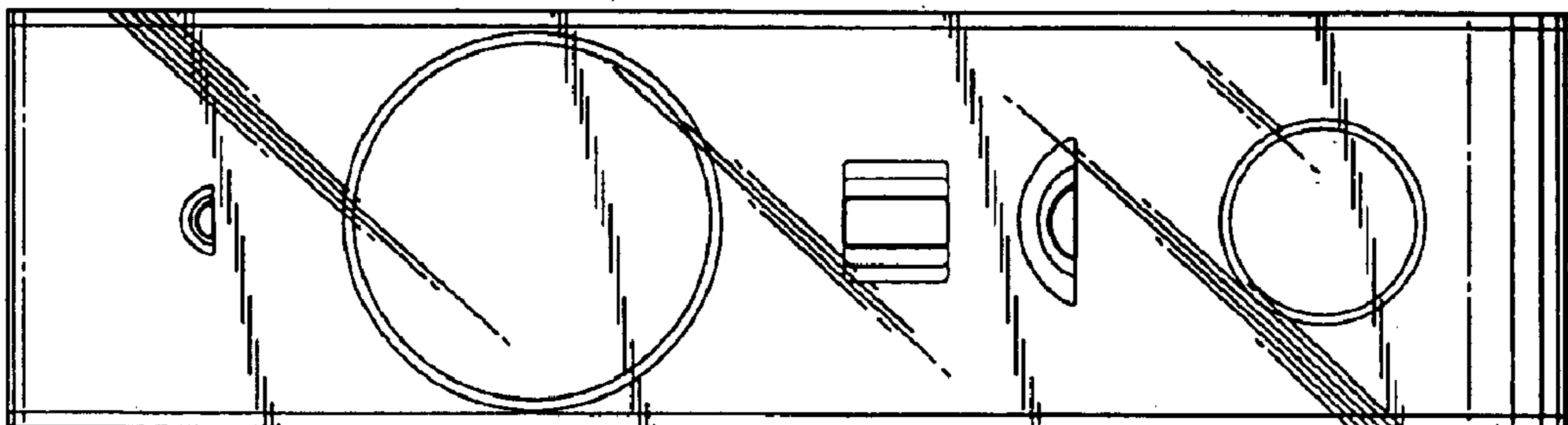


Fig. 3

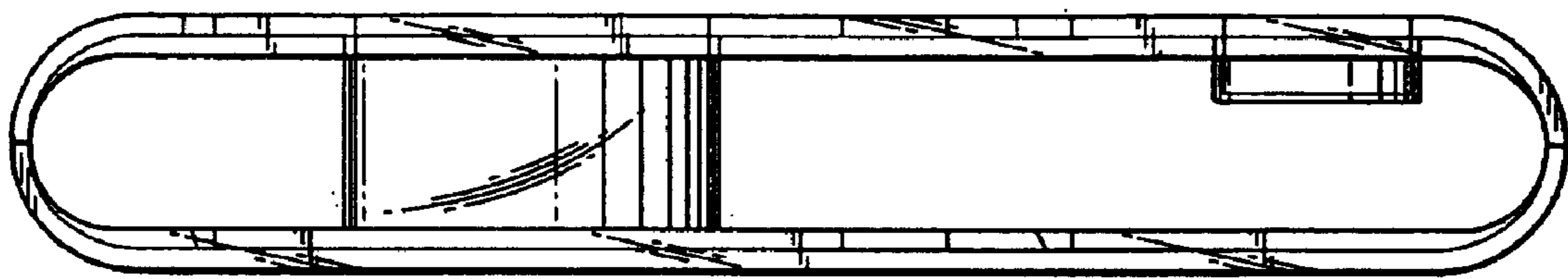


Fig. 4

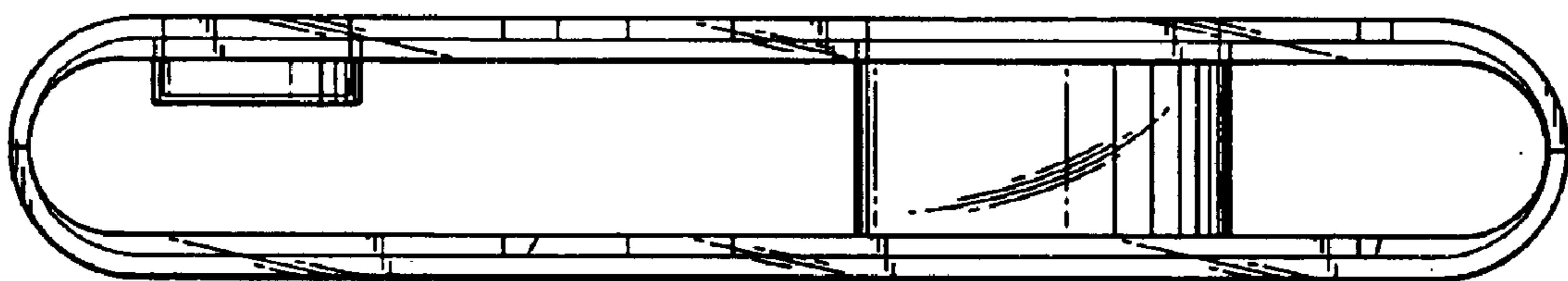


Fig. 5

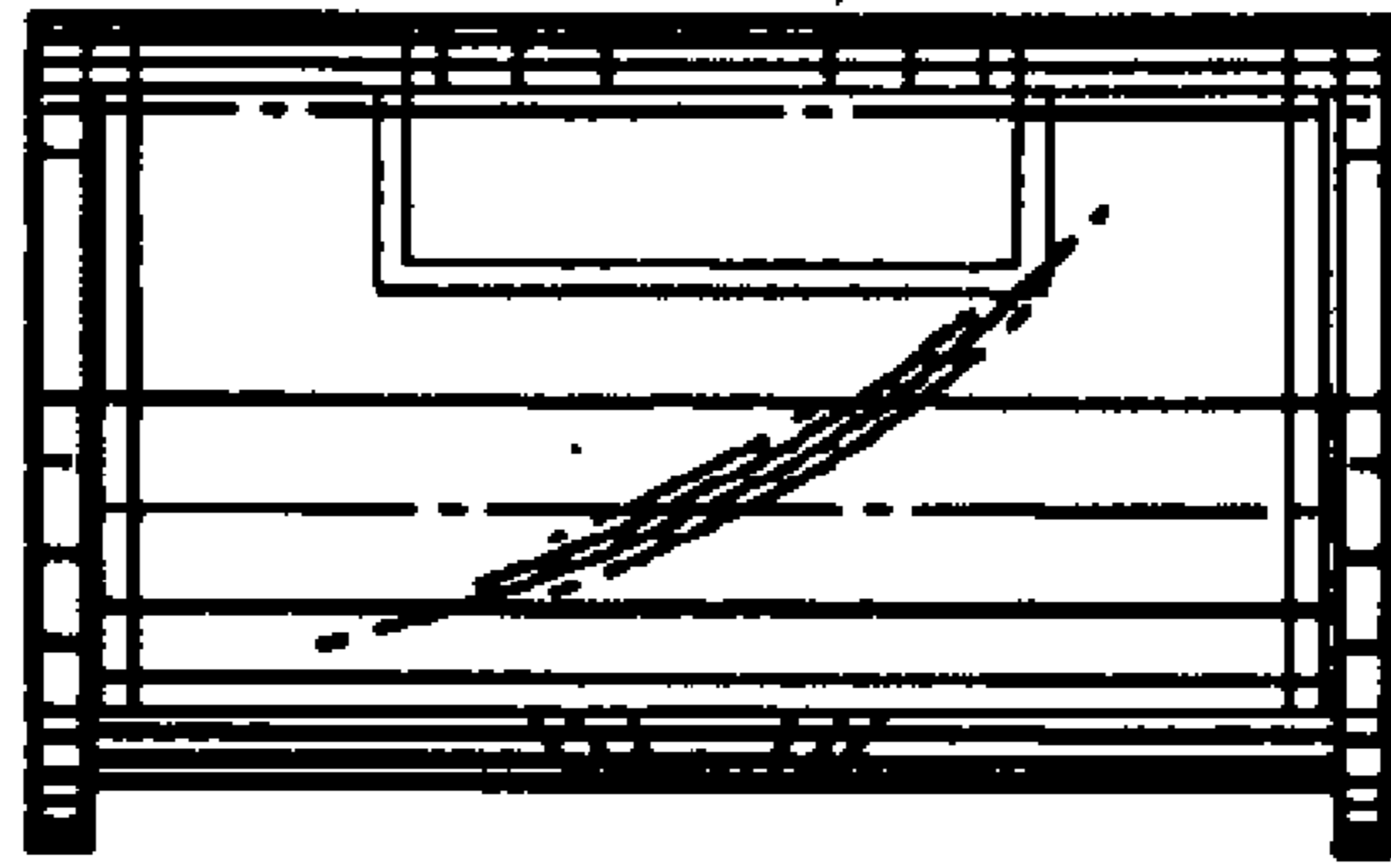


Fig. 6

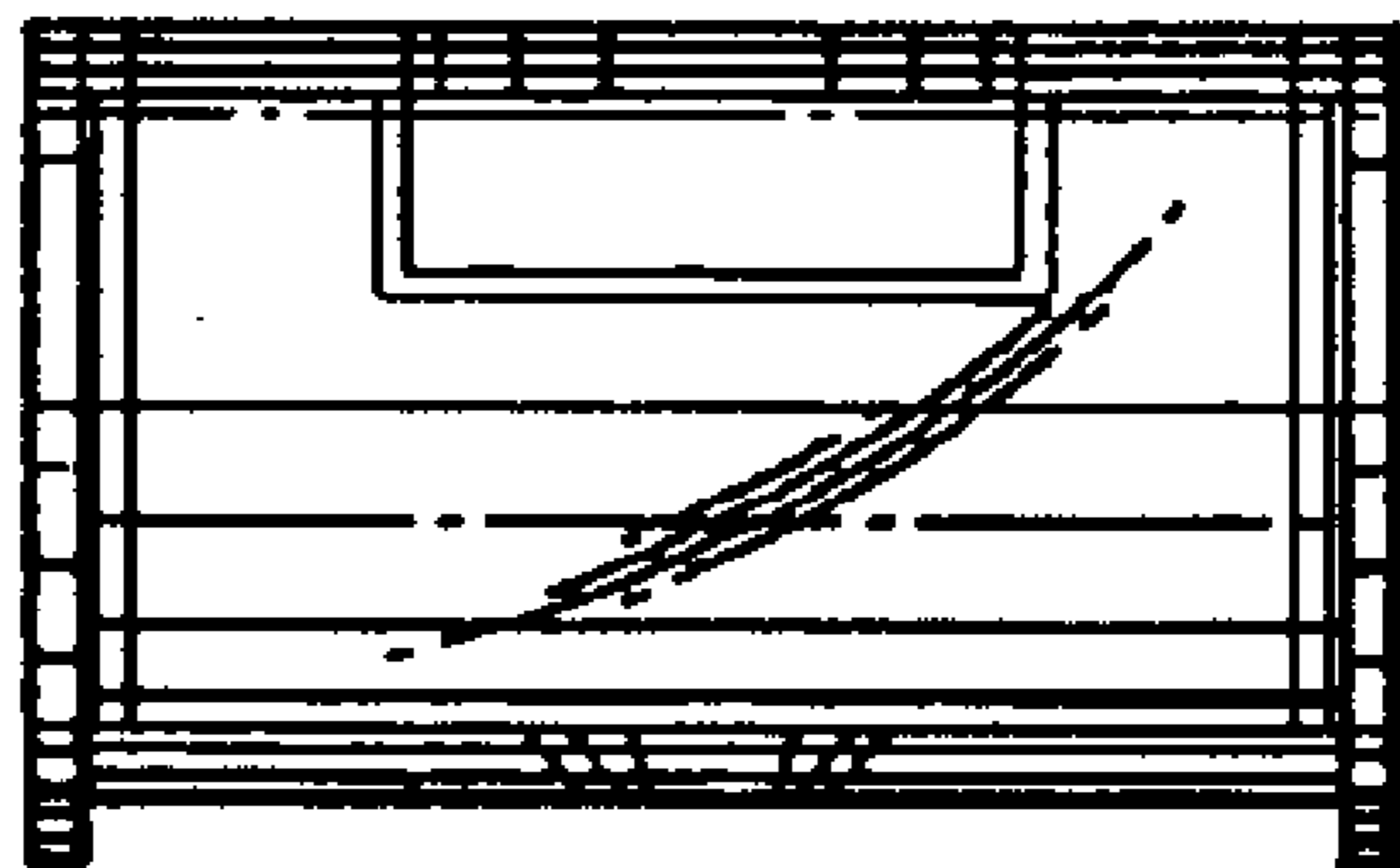


Fig. 7

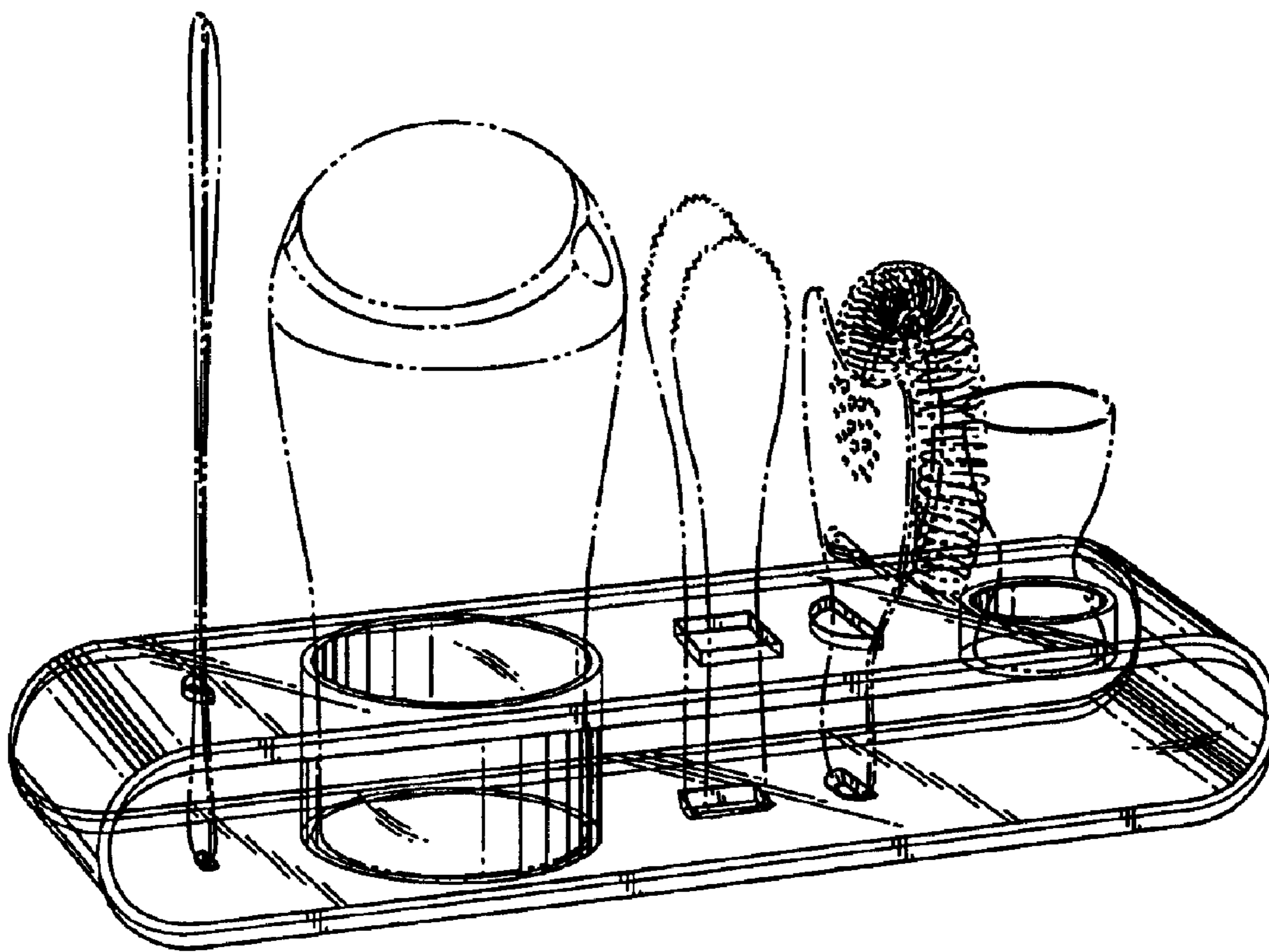


Fig. 8