

US00D505836S

(12) **United States Design Patent**
Burkholder

(10) **Patent No.: US D505,836 S**

(45) **Date of Patent: ** Jun. 7, 2005**

(54) **STACKABLE SPORTS COOLER**

(76) **Inventor: Sharon L. Burkholder**, 5947 Poetry Ct., North Fort Meyers, FL (US) 33903

(**) **Term: 14 Years**

(21) **Appl. No.: 29/200,389**

(22) **Filed: Feb. 27, 2004**

(51) **LOC (8) Cl. 07-01**

(52) **U.S. Cl. D7/605**

(58) **Field of Search** D7/605-608; D14/168;
62/457.1-457.9, 371, 372; 220/592.2, 592.03,
592.24, 592.25, 915.1, 915.2; 280/43.1,
43.24, 638-659

(56) **References Cited**

U.S. PATENT DOCUMENTS

- 5,100,198 A 3/1992 Baltzell
- 5,351,976 A 10/1994 Penson
- 5,480,170 A 1/1996 Kaiser, II

- 5,839,738 A 11/1998 Ozark
- D429,606 S 8/2000 Israel et al.
- 6,244,064 B1 6/2001 Powell et al.
- D444,678 S * 7/2001 Moffett et al. D7/605
- 6,305,185 B1 * 10/2001 Sloan 62/457.7

* cited by examiner

Primary Examiner—Terry A. Wallace

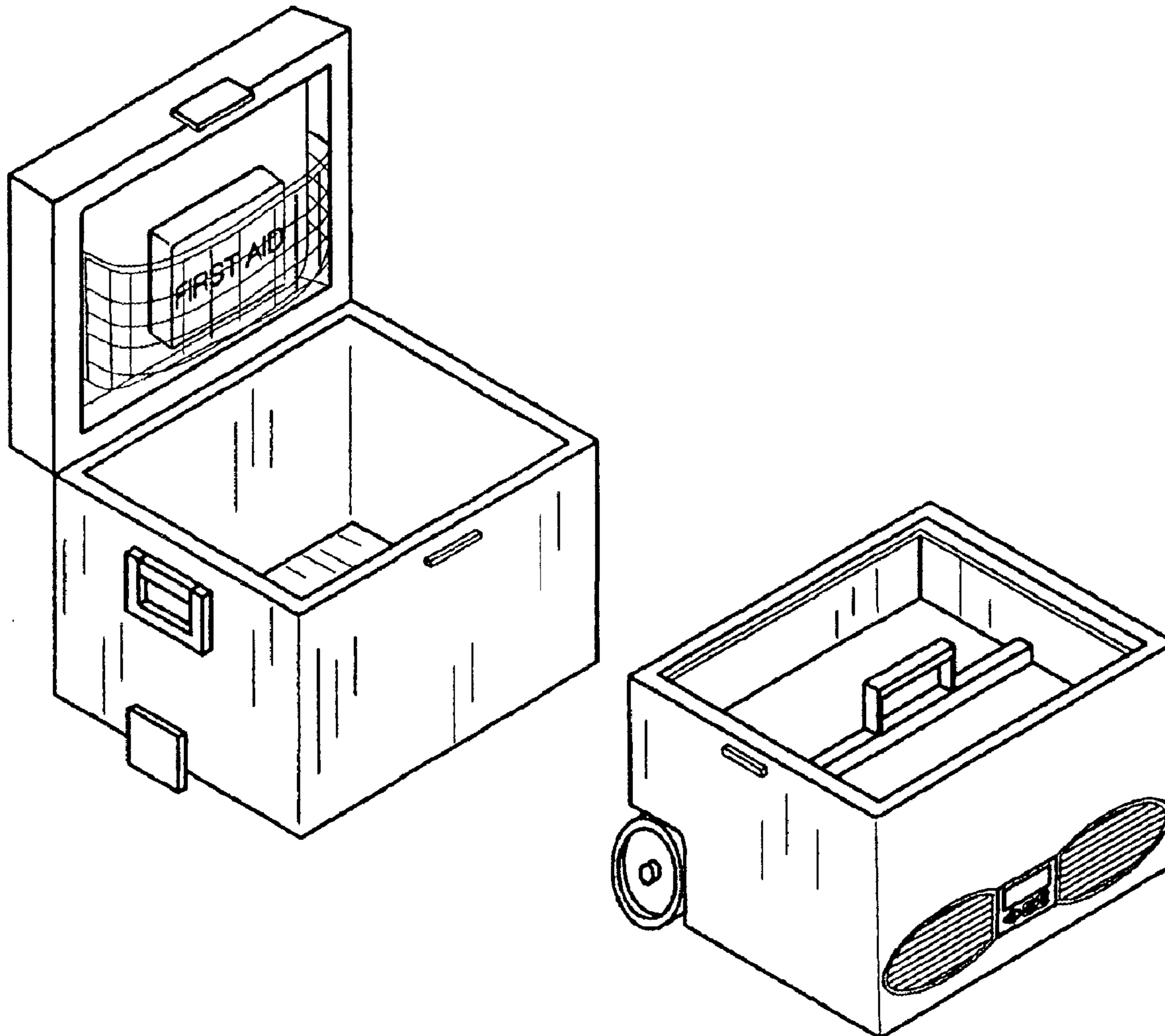
(57) **CLAIM**

The ornamental design for a stackable sports cooler, as shown and described.

DESCRIPTION

FIG. 1 is front elevational view of a stackable sports cooler showing my new design;
 FIG. 2 is a rear elevational view thereof;
 FIG. 3 is a side elevational view thereof;
 FIG. 4 is a top plan view thereof;
 FIG. 5 is a bottom plan view thereof; and,
 FIG. 6 is a perspective view thereof.

1 Claim, 4 Drawing Sheets



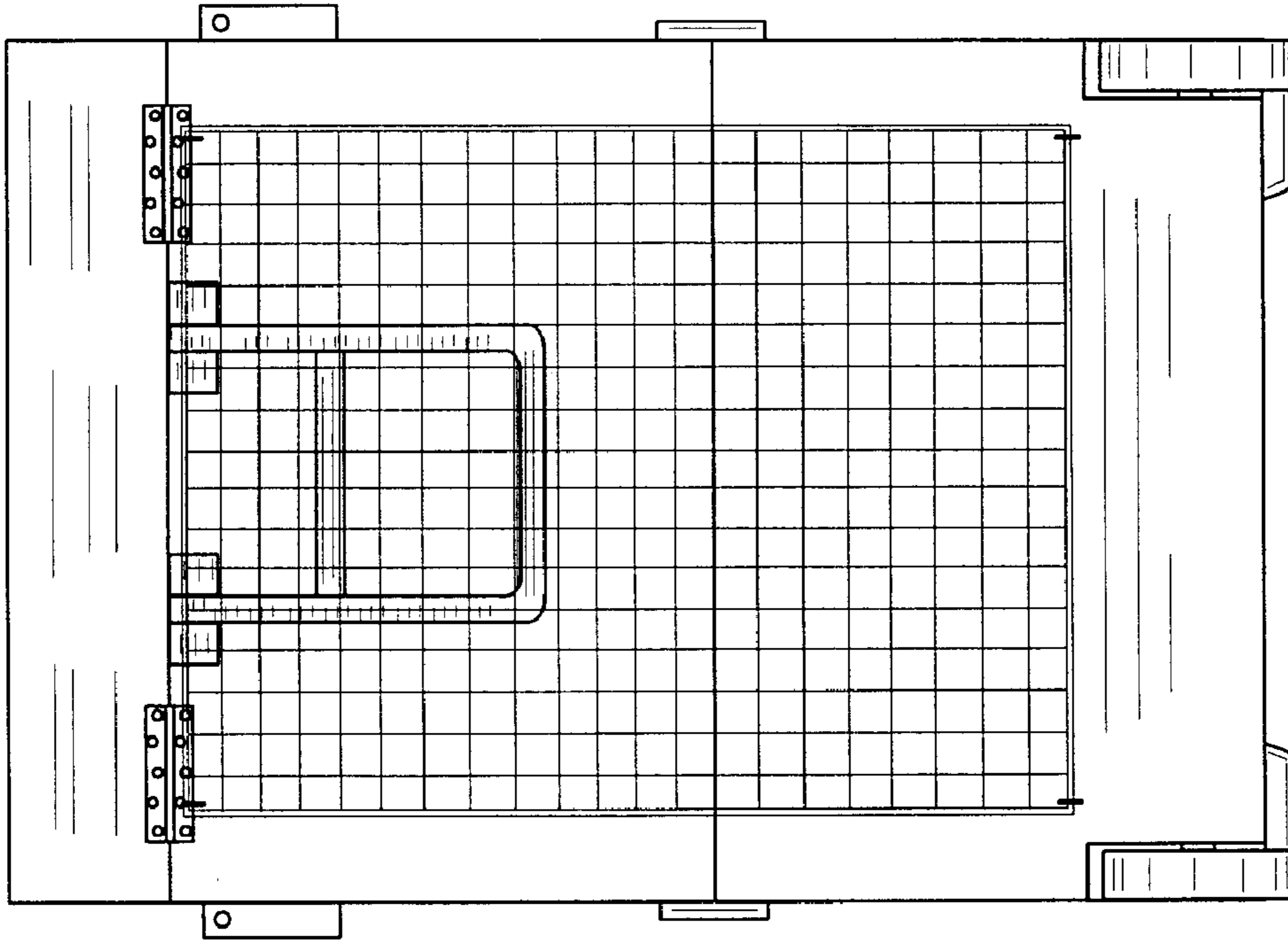


FIG. 2

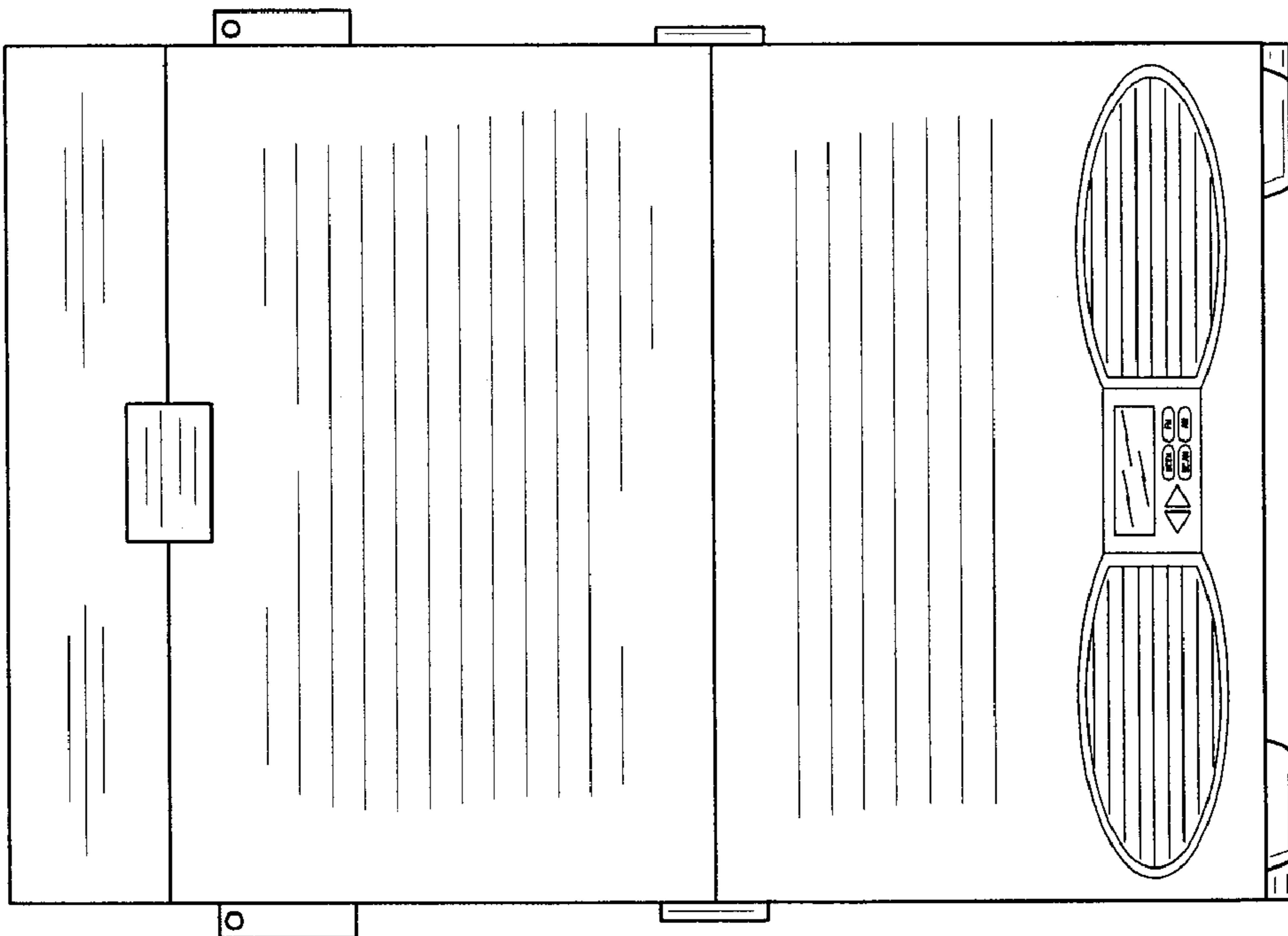


FIG. 1

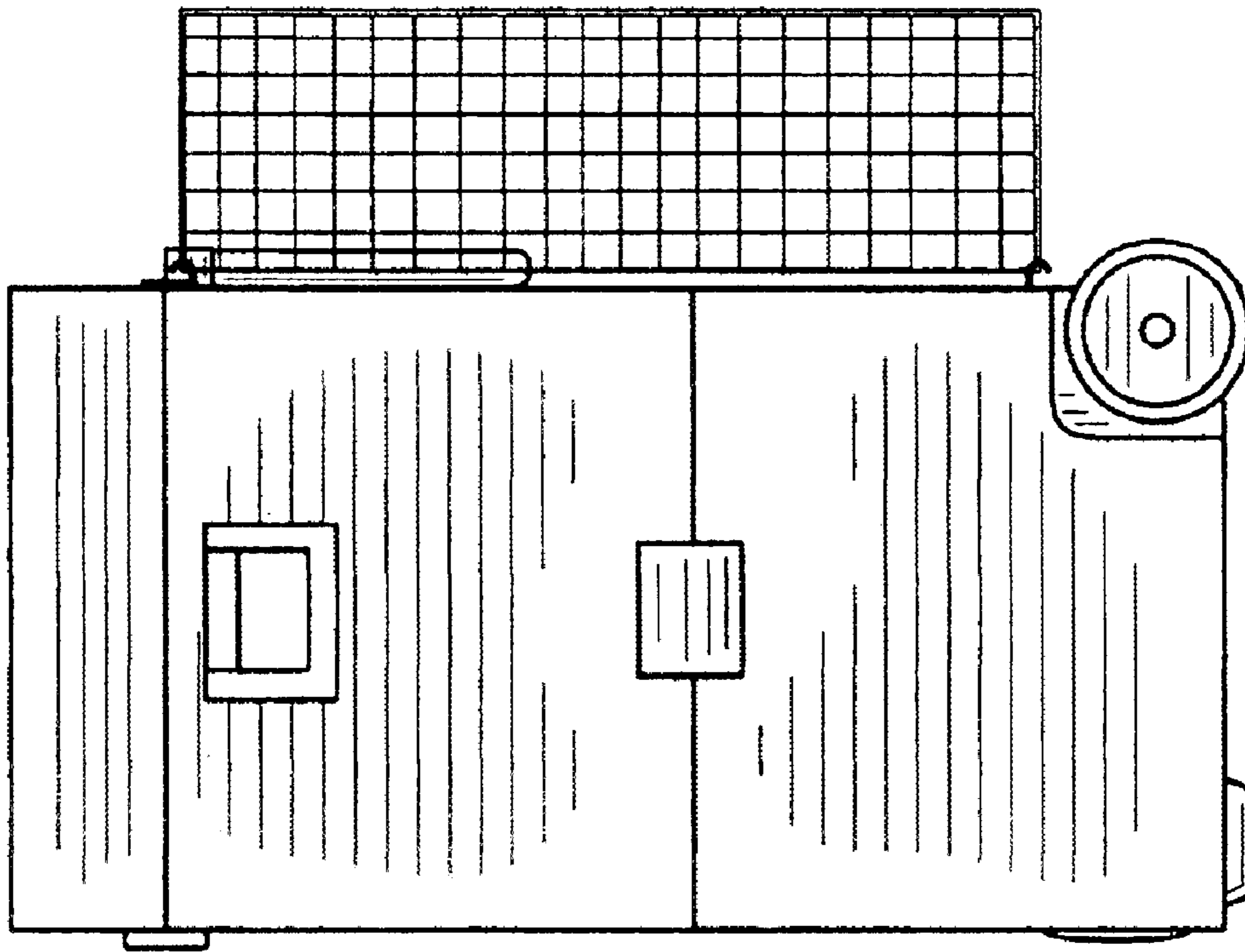


FIG. 3

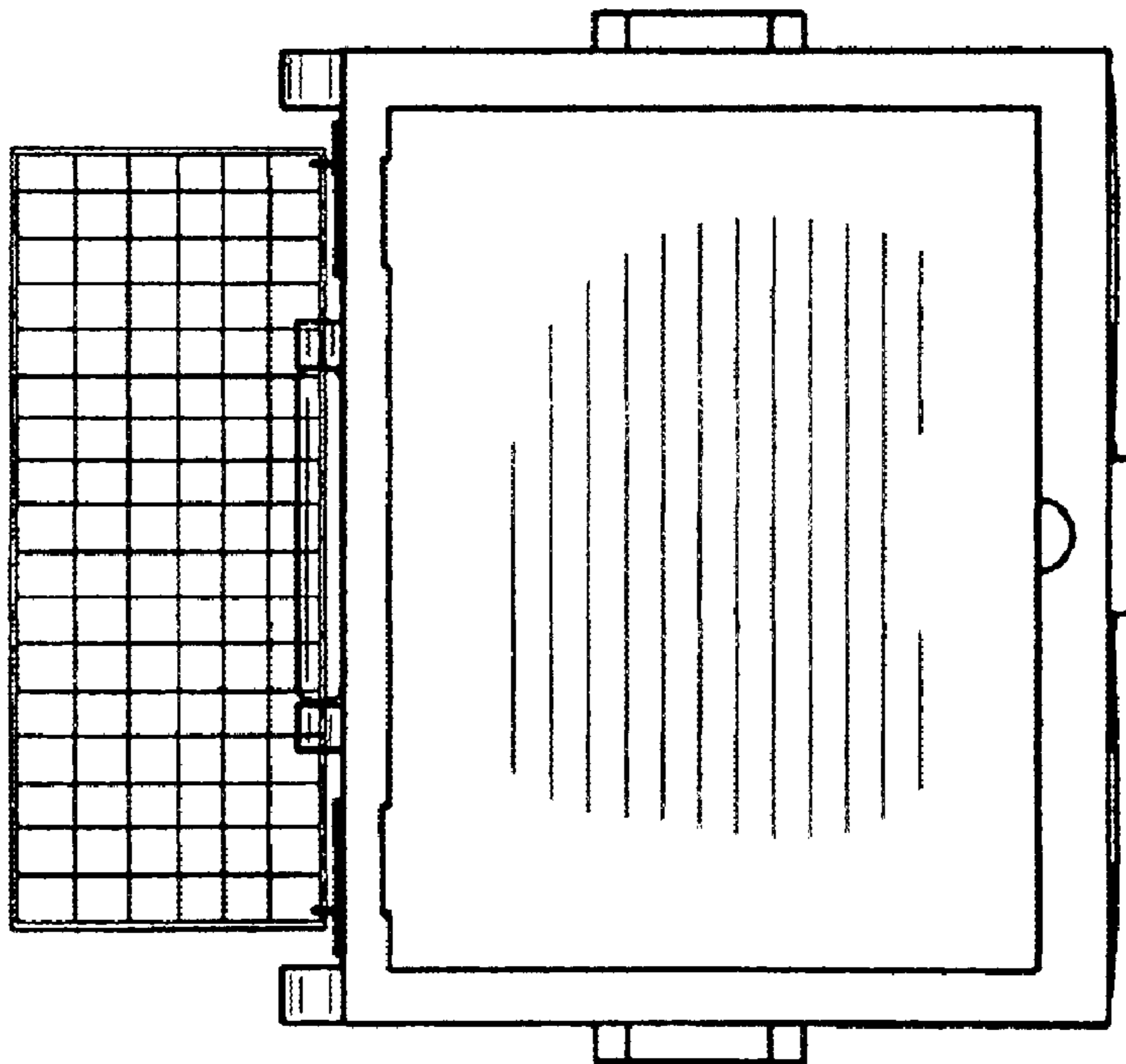


FIG. 4

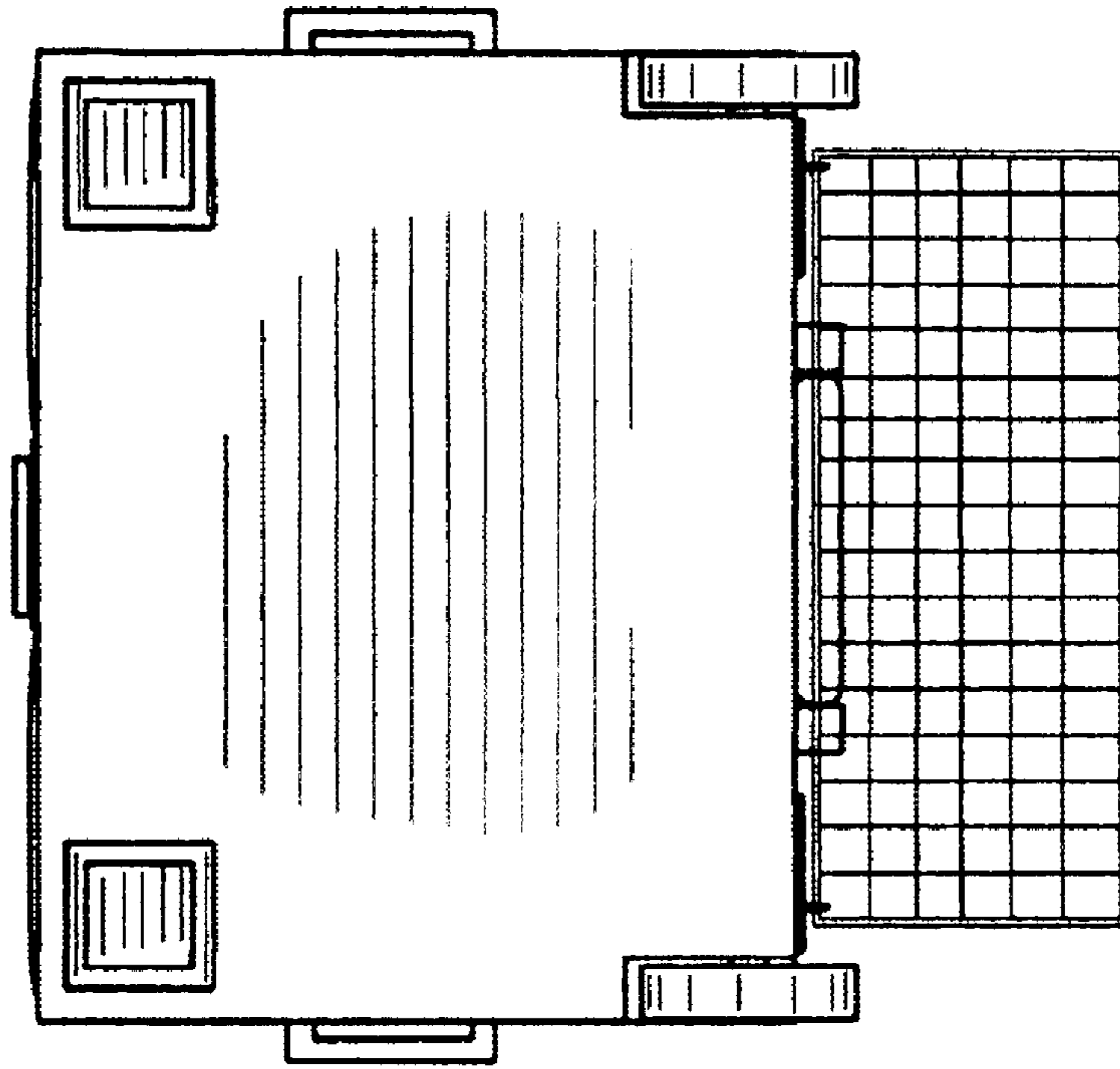


FIG. 5

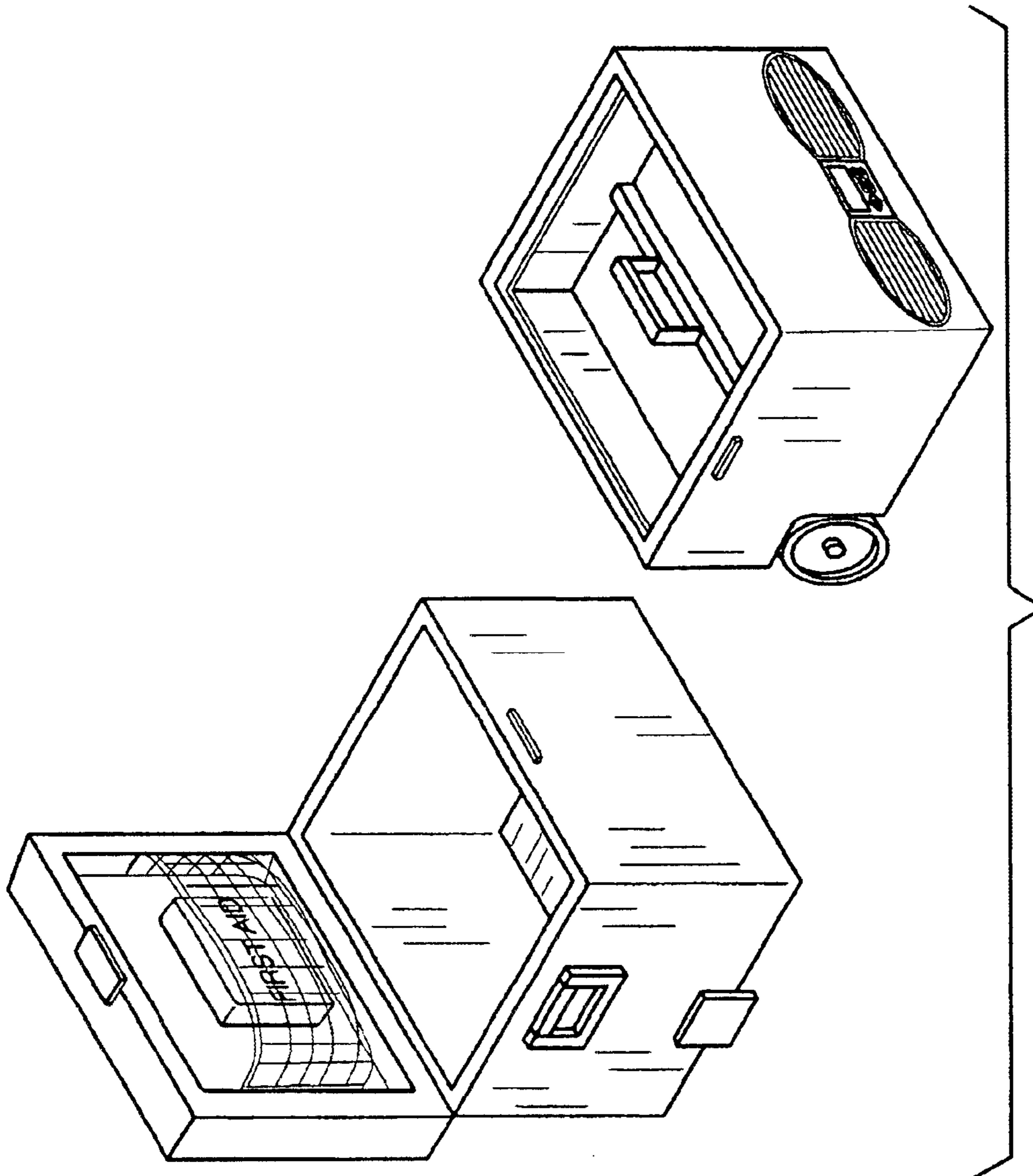


FIG. 6