

US00D505835S

(12) **United States Design Patent**
Schultz et al.

(10) **Patent No.: US D505,835 S**
(45) **Date of Patent: ** Jun. 7, 2005**

(54) **TALL SQUARE CONTAINER**
(75) Inventors: **Marissa A. K. Schultz**, Racine, WI (US); **Jeffrey J. Zettle**, Bay City, MI (US); **Timothy R. Ordiway**, Racine, WI (US); **Craig R. Gosen**, Sanford, MI (US); **Nancy L. Broen**, Racine, WI (US); **Nheeda C. Enriquez**, Jersey City, NJ (US); **Devin L. Moore**, Decatur, GA (US)

(73) Assignee: **S.C. Johnson Home Storage, Inc.**, Racine, WI (US)

(**) Term: **14 Years**

(21) Appl. No.: **29/179,922**

(22) Filed: **Apr. 17, 2003**

(51) **LOC (8) Cl. 07-01**

(52) **U.S. Cl. D7/602**

(58) **Field of Search** D7/629, 538-542, D7/612-615, 602; D9/414, 424-432; 206/553, 457; 220/4.21, 780-806, 309.1, 367.1, 376, 377; 229/406, 902-906

(56) **References Cited**

U.S. PATENT DOCUMENTS

- 2,985,354 A 5/1961 Aldington
- 3,122,296 A 2/1964 Fotos
- 3,262,602 A 7/1966 McConnell et al.
- 3,349,941 A 10/1967 Wanderer
- 3,360,162 A 12/1967 Miles
- 3,381,872 A 5/1968 Holder et al.
- 3,401,825 A 9/1968 Weiss
- 3,424,342 A 1/1969 Scopp et al.
- 3,520,441 A 7/1970 Fitzgerald
- 3,539,552 A 11/1970 Mounts et al.
- 3,613,938 A 10/1971 Westcott
- 3,615,039 A 10/1971 Ward
- 3,653,575 A 4/1972 Schrepper
- 3,677,435 A 7/1972 Davis
- 3,737,093 A 6/1973 Amberg et al.
- 3,743,133 A 7/1973 Rathbun

- 3,759,416 A 9/1973 Constantine
- 3,773,207 A 11/1973 Dokoupil et al.
- 3,779,418 A 12/1973 Davis
- 3,797,694 A 3/1974 See et al.
- D235,621 S 7/1975 Cawrse
- 4,027,776 A 6/1977 Douglas
- 4,058,247 A 11/1977 Florian
- 4,082,184 A 4/1978 Hammer
- 4,306,664 A 12/1981 Bawden
- 4,412,630 A 11/1983 Daenen
- 4,444,332 A 4/1984 Widen et al.
- 4,474,305 A 10/1984 Marco
- D279,251 S * 6/1985 Daenen et al. D7/629
- 4,574,174 A 3/1986 McGonigle 219/10.55 M
- 4,765,506 A 8/1988 Fishman et al.
- 4,787,527 A 11/1988 Monetti
- 4,797,523 A 1/1989 Kohnen 219/10.55 E

(Continued)

FOREIGN PATENT DOCUMENTS

- EP 1279605 1/2003
- GB 2121672 1/1984

OTHER PUBLICATIONS

International Search Report and Written Opinion mailed Oct. 13, 2004, in connection with International Application No. PCT/US2004/019310.

Primary Examiner—Terry A. Wallace
(74) *Attorney, Agent, or Firm*—Fitzpatrick, Cella, Harper & Scinto

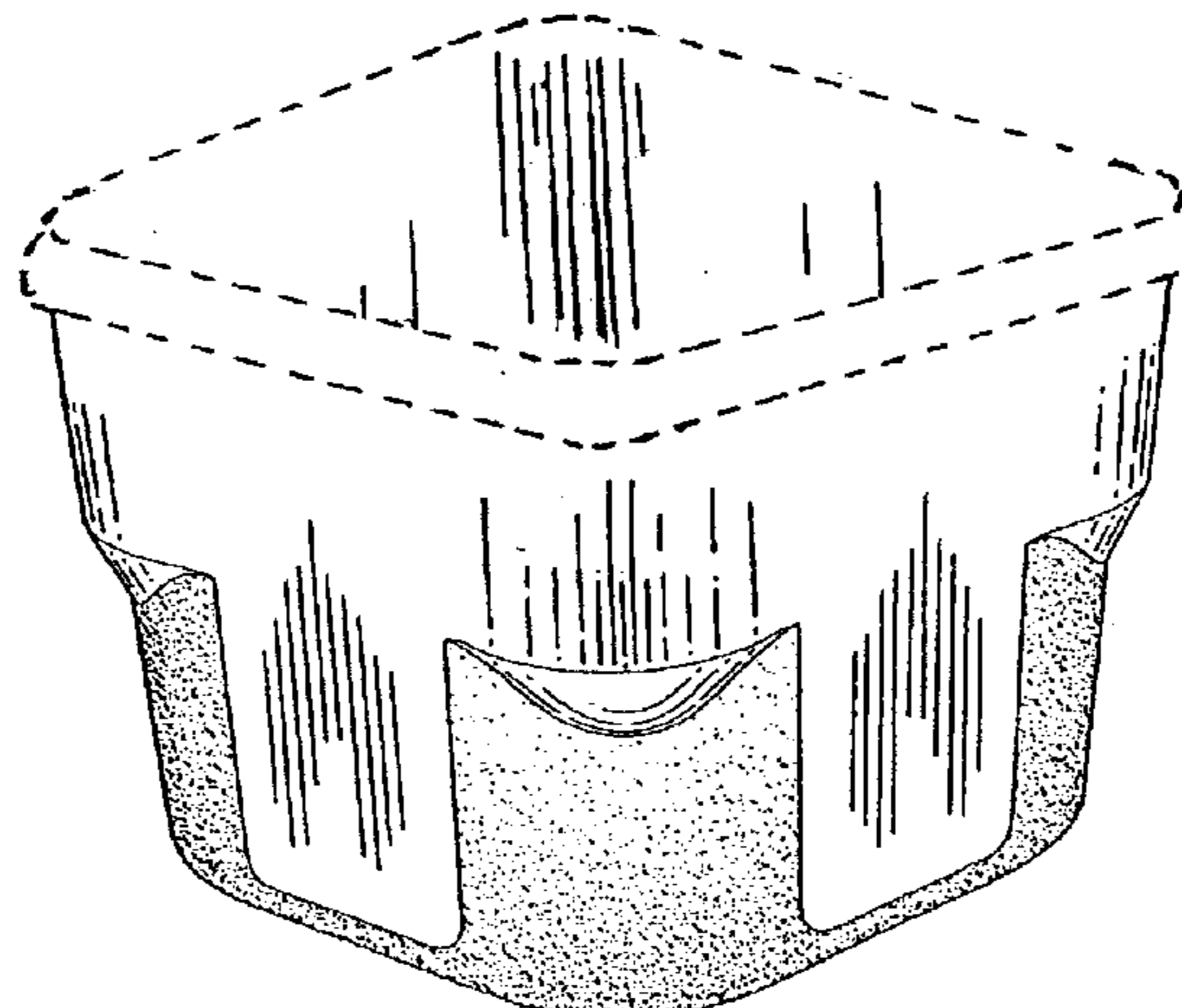
(57) **CLAIM**

The ornamental design for a tall square container, as shown and described.

DESCRIPTION

FIG. 1 is a perspective view of the container; FIG. 2 is a side view of the container; FIG. 3 is a top view of the container; and, FIG. 4 is a bottom view of the container. The features shown in broken lines form no part of the claimed design.

1 Claim, 4 Drawing Sheets



US D505,835 S

U.S. PATENT DOCUMENTS

4,819,824 A	4/1989	Longbottom et al.	6,105,810 A	8/2000	Daenen et al.
4,836,407 A	6/1989	Bruce et al.	6,164,484 A	12/2000	Fiore et al.
4,844,263 A	7/1989	Hadtke	6,168,044 B1	1/2001	Zettle et al.
D305,002 S	12/1989	Hayes et al.	6,170,696 B1	1/2001	Tucker et al.
D305,003 S	12/1989	Hayes et al.	D440,470 S	4/2001	Tucker et al.
4,917,261 A	4/1990	Borst	D440,830 S	4/2001	Tucker et al.
D308,942 S	* 7/1990	Thundercliffe D9/425	6,213,301 B1	4/2001	Landis et al.
D312,968 S	* 12/1990	Wolff D9/431	6,213,302 B1	4/2001	Sanders et al.
4,974,742 A	12/1990	Farrell et al.	6,216,905 B1	4/2001	Mogard et al.
4,986,438 A	1/1991	Borst	6,217,136 B1	4/2001	Dorfman et al.
5,012,928 A	5/1991	Proffit et al.	D442,484 S	5/2001	Maxwell et al.
5,040,682 A	8/1991	Palisin, Jr. et al.	6,230,924 B1	5/2001	Weiss et al.
D319,978 S	9/1991	Wolff	D443,184 S	6/2001	Maxwell et al.
D320,744 S	10/1991	Palisin, Jr.	D443,484 S	6/2001	Maxwell et al.
D321,652 S	11/1991	Palisin, Jr.	D443,798 S	6/2001	Tucker et al.
5,065,889 A	11/1991	Conti	D445,649 S	7/2001	Maxwell et al.
D322,032 S	12/1991	Palisin, Jr.	D445,650 S	7/2001	Maxwell et al.
D322,033 S	12/1991	Palisin, Jr. et al.	6,257,434 B1	7/2001	Lizzio
D328,014 S	* 7/1992	DeCoster et al. D7/629	6,260,729 B1	7/2001	Mitchell et al.
5,147,059 A	9/1992	Olsen et al.	6,260,731 B1	7/2001	Cummings
5,293,997 A	3/1994	Hustad et al.	D446,077 S	8/2001	Tucker et al.
5,344,021 A	9/1994	Rose	D446,450 S	8/2001	Zettle et al.
5,348,181 A	9/1994	Smith et al.	6,273,258 B1	8/2001	Piacenza
5,356,026 A	10/1994	Andress et al.	6,276,555 B1	8/2001	Edwards
5,388,714 A	2/1995	Zutler	D447,382 S	9/2001	Tucker et al.
5,390,797 A	2/1995	Smalley et al.	D448,288 S	9/2001	Zettle et al.
5,489,036 A	2/1996	Arkins	6,283,298 B1	9/2001	Seidler
5,542,234 A	8/1996	Wyslotsky et al.	D448,991 S	10/2001	Zettle et al.
5,624,051 A	4/1997	Ahern, Jr. et al.	D449,495 S	10/2001	Tucker et al.
D390,109 S	2/1998	Tucker et al.	6,305,546 B1	10/2001	Saunders et al.
5,758,791 A	6/1998	Mangla	D450,983 S	11/2001	Tucker et al.
5,758,793 A	6/1998	Forsyth et al.	6,325,234 B1	12/2001	Legaspi
5,806,710 A	9/1998	Shiffer et al.	6,343,709 B1	2/2002	DeForrest et al.
5,894,953 A	4/1999	Ramirez	6,349,820 B1	2/2002	Kelley et al.
D411,741 S	6/1999	Wilson et al.	6,364,112 B1	4/2002	Pitschka
5,972,292 A	10/1999	DeMeo	6,364,152 B1	4/2002	Poslinski et al.
5,992,679 A	11/1999	Porcia et al.	D462,880 S	9/2002	Maxwell et al.
D418,720 S	* 1/2000	Lillelund et al. D7/602	D465,154 S	11/2002	O'Brien
D428,310 S	7/2000	Zettle et al.	D466,299 S	12/2002	Zimmerman
D428,777 S	8/2000	Hayes et al.			

* cited by examiner

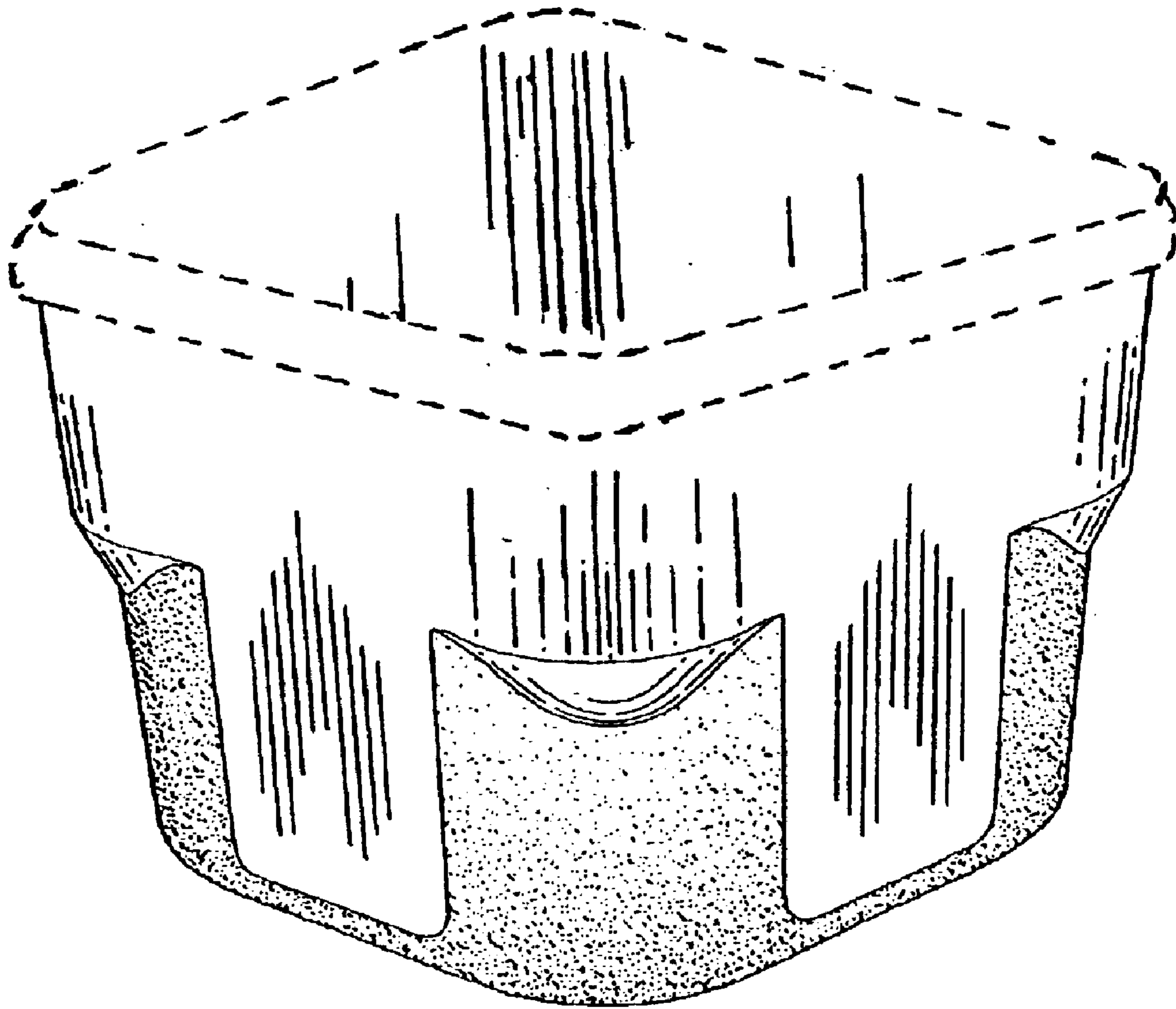


FIG. 1

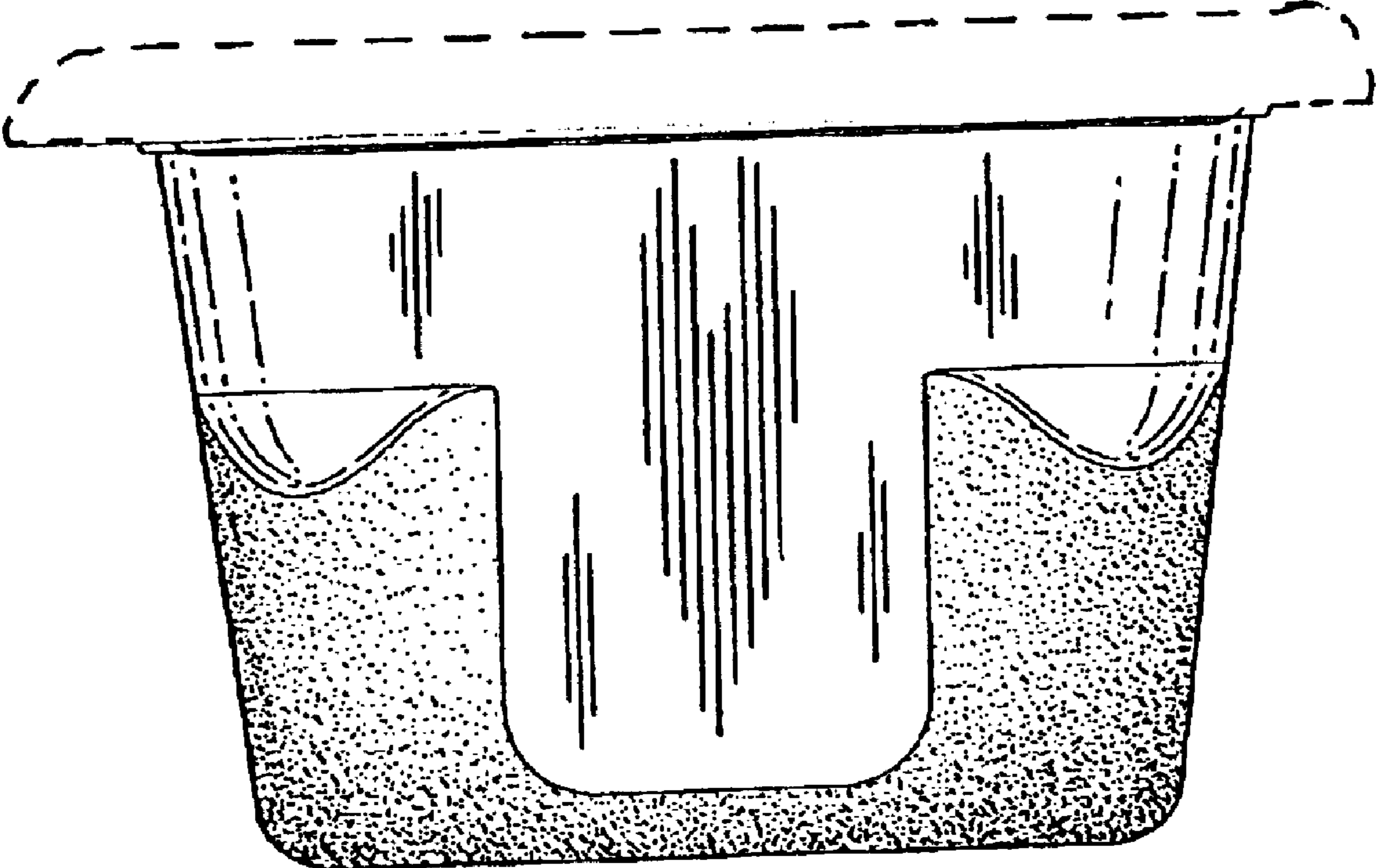


FIG. 2

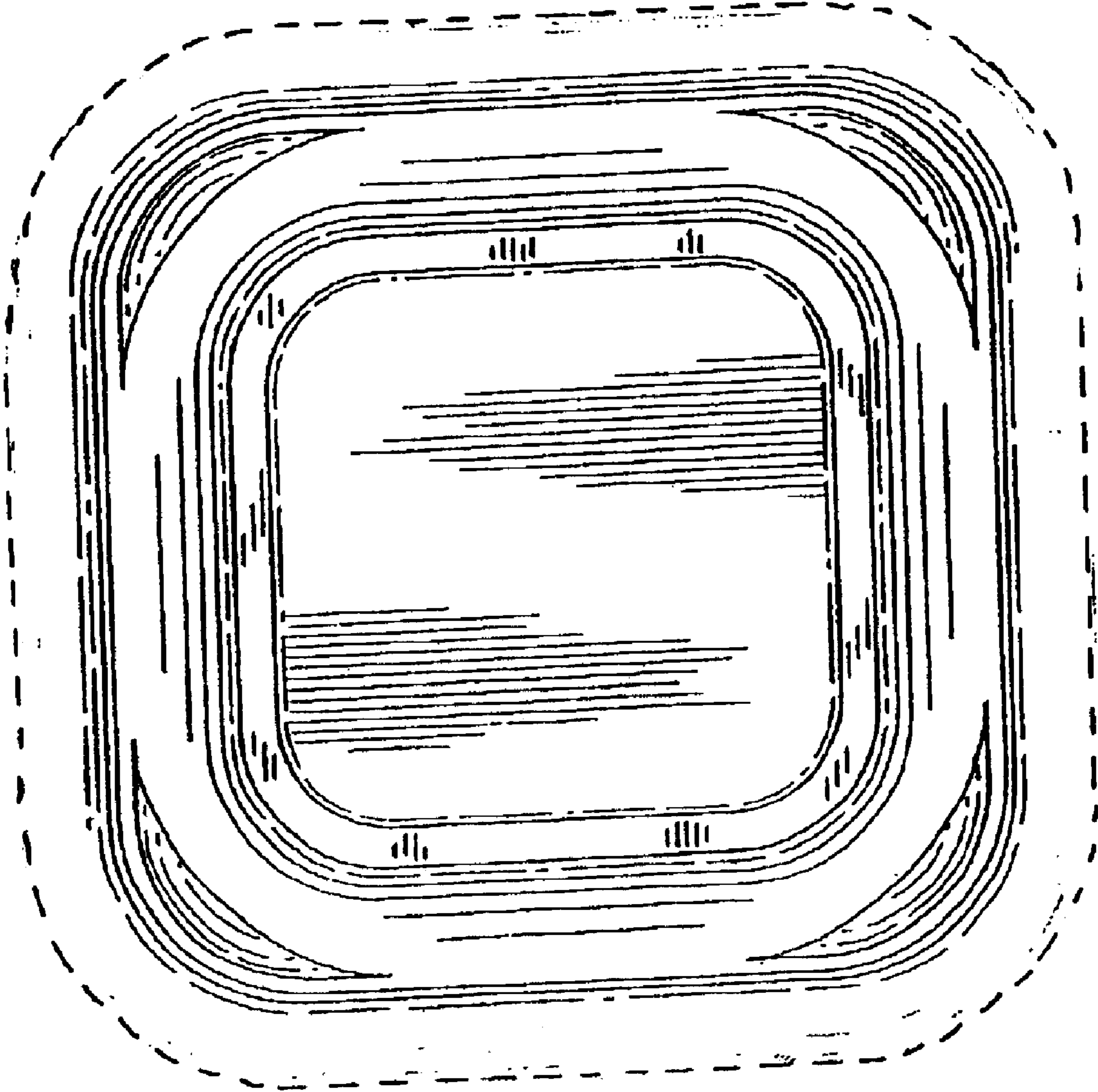


FIG. 3

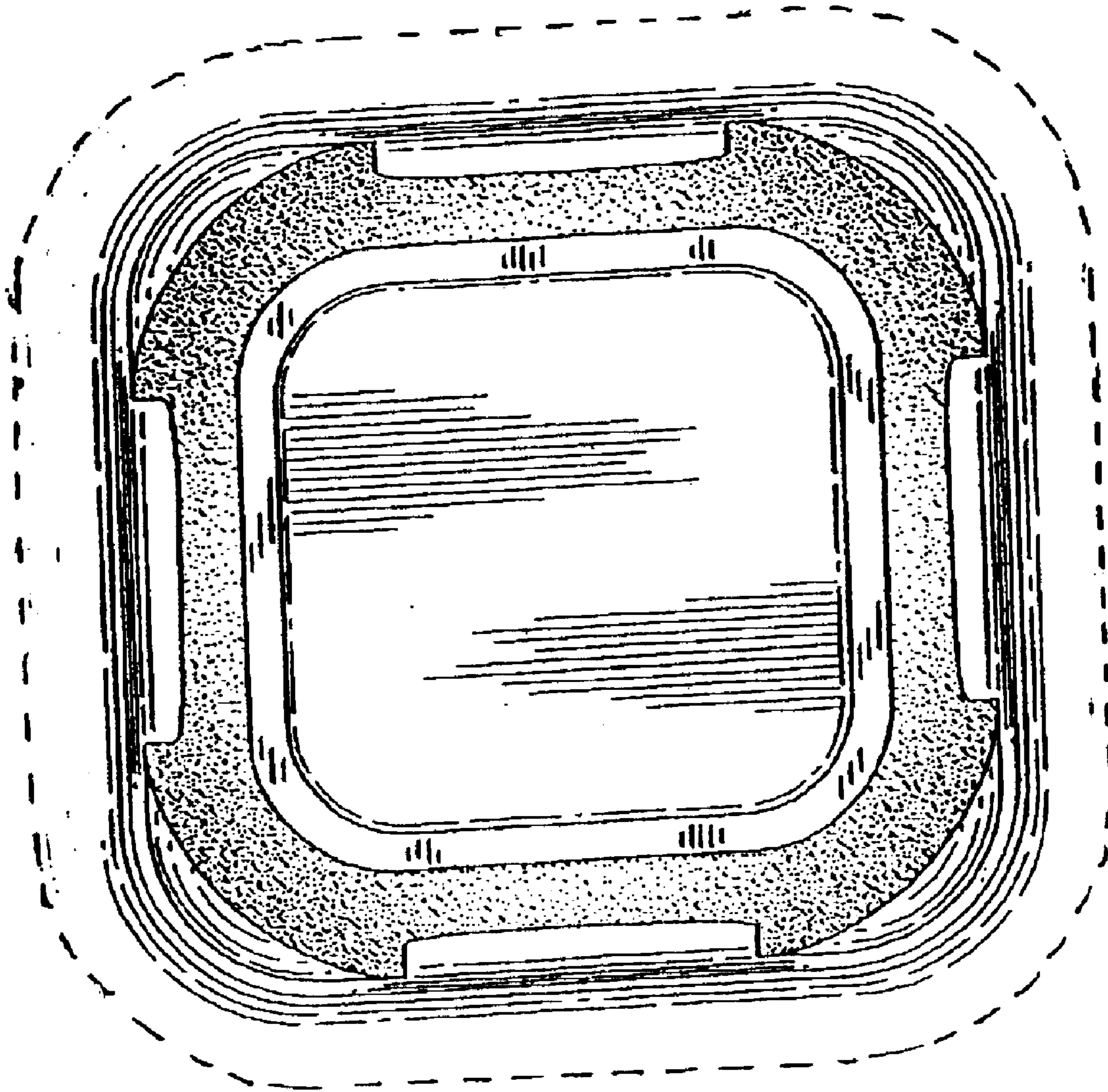


FIG. 4