

US00D505833S

(12) **United States Design Patent**  
**Ahearn**

(10) **Patent No.:** **US D505,833 S**  
(45) **Date of Patent:** **\*\* Jun. 7, 2005**

(54) **GLASS RIMMER**

(76) **Inventor:** **Preston H. Ahearn**, 316 N. Maple St.,  
#254, Burbank, CA (US) 91505

(\*\*) **Term:** **14 Years**

(21) **Appl. No.:** **29/200,460**

(22) **Filed:** **Feb. 27, 2004**

(51) **LOC (8) Cl.** ..... **07-01**

(52) **U.S. Cl.** ..... **D7/553.4; D7/555; D7/549;**  
**D7/553.5**

(58) **Field of Search** ..... **D7/553.1, 553.2,**  
**D7/553.3, 553.4, 553.5, 546, 357, 553.8,**  
**351.1, 708, 590, 596, 624.1, 388, 701,**  
**555, 543, 549; D9/428; 99/353; 426/420,**  
**132; 425/510; 220/4.25, 23.83; 248/154**

(56) **References Cited**

**U.S. PATENT DOCUMENTS**

- D72,917 S \* 6/1927 Traver ..... D7/553.5
- D109,658 S \* 5/1938 Hamilton ..... D7/357
- D122,774 S \* 10/1940 Frederick ..... D7/553.8
- D212,965 S \* 12/1968 Du Pont ..... D7/701
- D225,887 S \* 1/1973 Dolby et al. .... D7/546
- 3,877,603 A \* 4/1975 Holz ..... 220/23.83
- D235,723 S \* 7/1975 Vorchheimer ..... D7/551.1
- D255,752 S \* 7/1980 Kallstrom ..... D7/708
- 4,362,497 A \* 12/1982 Lifshitz ..... 425/510

- D291,181 S \* 8/1987 Franco ..... D9/428
- 4,838,444 A \* 6/1989 Bitel ..... 220/4.24
- D413,488 S \* 9/1999 Foley ..... D7/553.8
- 6,265,010 B1 \* 7/2001 Franco ..... 426/420
- 6,327,968 B1 \* 12/2001 Scannell ..... 99/353
- D487,673 S \* 3/2004 Mishan ..... D7/553.4

**OTHER PUBLICATIONS**

Margarita glass rimmer, google search from bardeville.com as retrieved on Dec. 31, 1969.\*

Glass Rimmer,google search from Golda's Kitchen copy-right 1999-2004.\*

\* cited by examiner

*Primary Examiner*—M. N. Pandozzi

(74) *Attorney, Agent, or Firm*—Brown Raysman Millstein Felder & Steiner LLP

(57) **CLAIM**

The ornamental design for a glass rimmer, as shown and described.

**DESCRIPTION**

FIG. 1 is a top plan view of a glass rimmer showing my new design;

FIG. 2 is a rear elevational view thereof;

FIG. 3 is a right side elevational view thereof; and,

FIG. 4 is a top, left perspective view thereof.

**1 Claim, 2 Drawing Sheets**

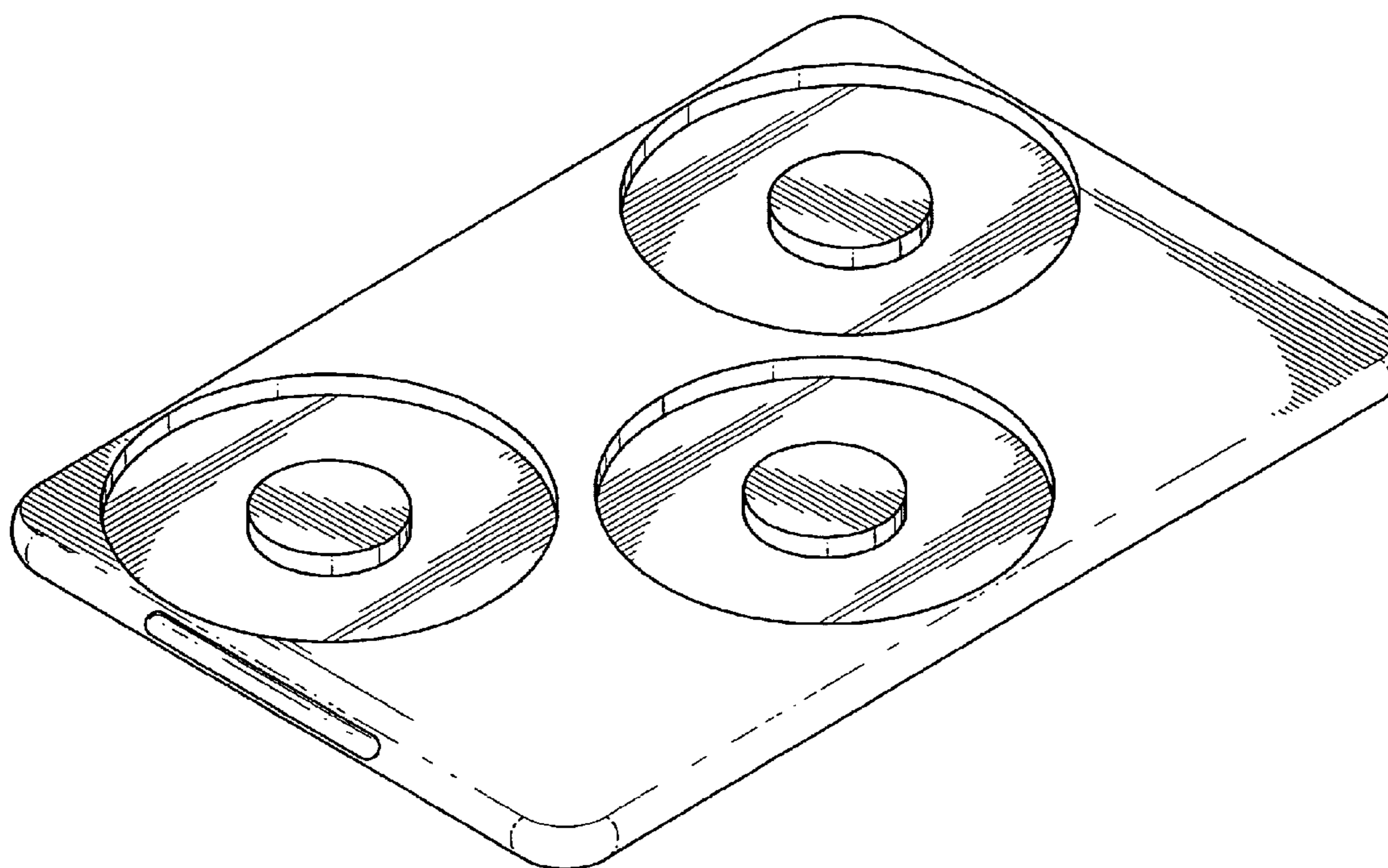


FIG. 2

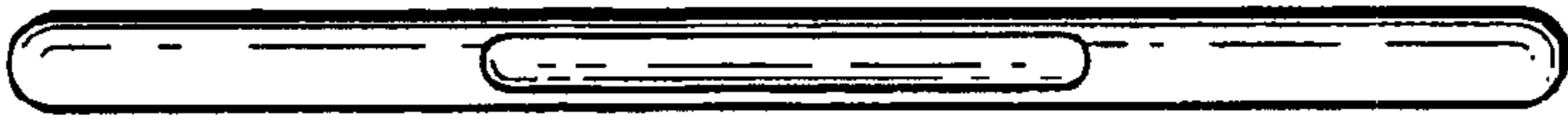


FIG. 3

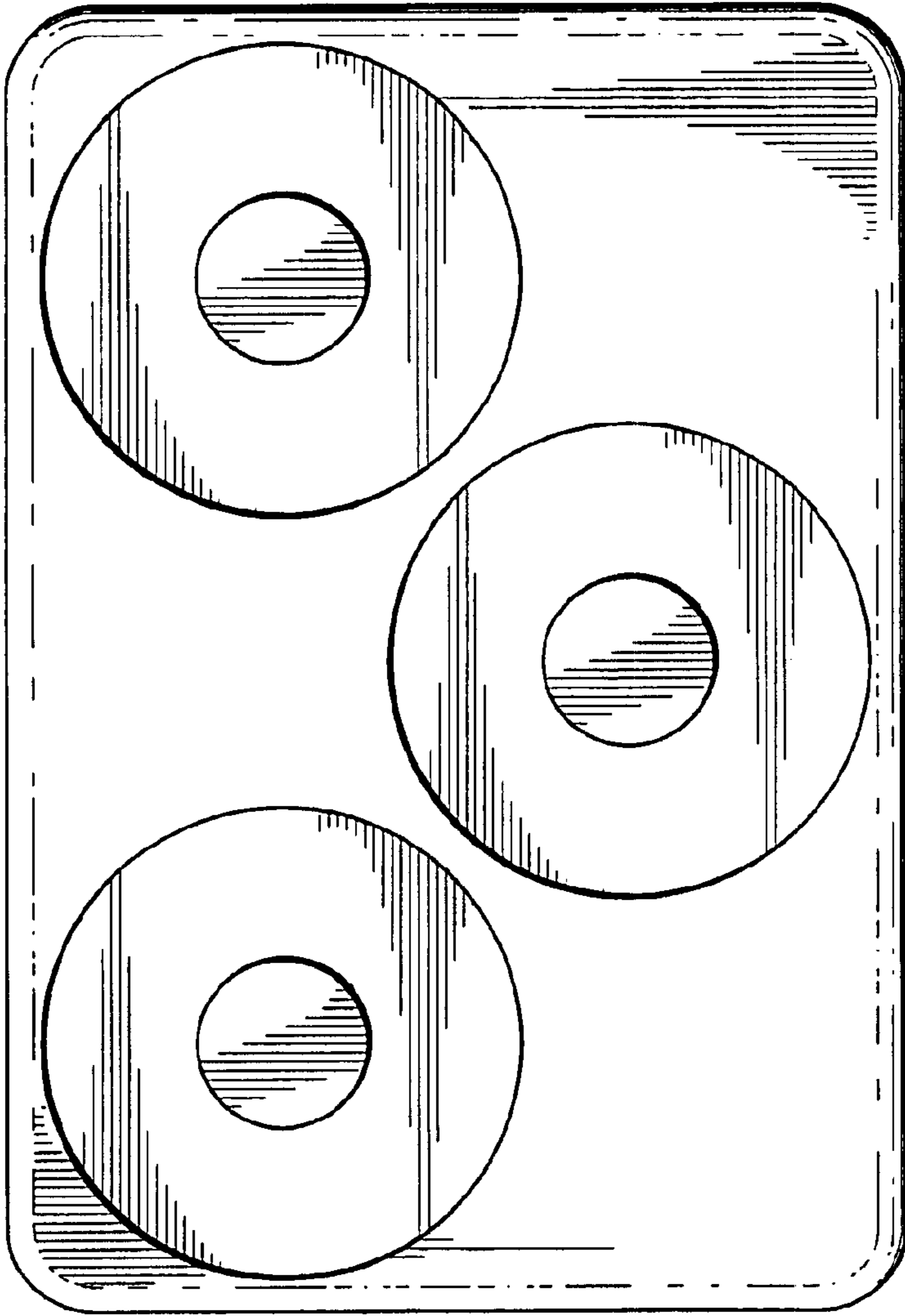


FIG. 1

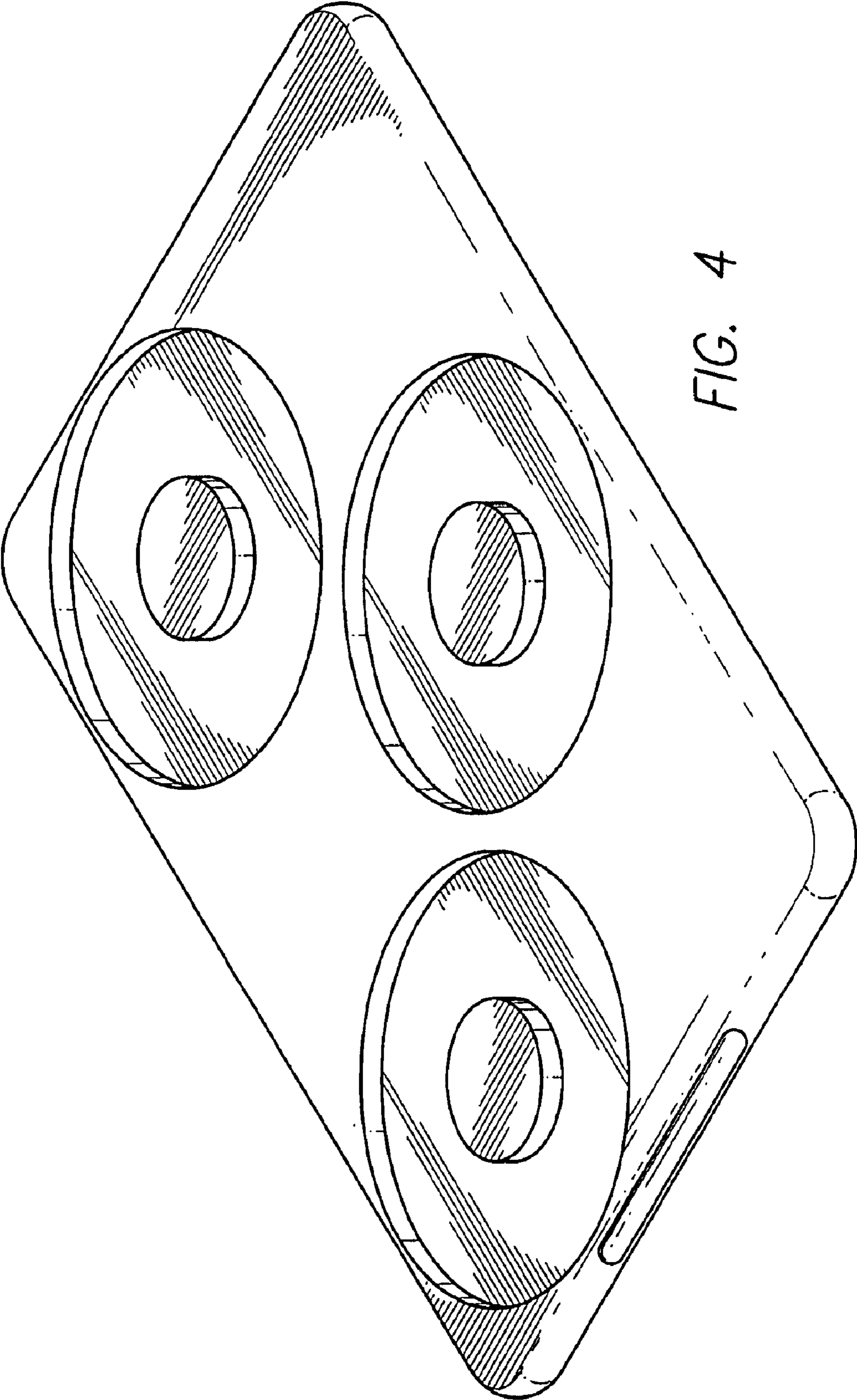


FIG. 4