

US00D505831S

(12) **United States Design Patent**
Liu

(10) **Patent No.:** **US D505,831 S**
(45) **Date of Patent:** **** Jun. 7, 2005**

(54) **RESEALABLE TUMBLER**

(75) **Inventor:** **Yiu Ching Liu, Wilsonville, OR (US)**

(73) **Assignee:** **Pacific Cornetta, Inc., Wilsonville, OR (US)**

(**) **Term:** **14 Years**

(21) **Appl. No.:** **29/211,652**

(22) **Filed:** **Aug. 18, 2004**

(51) **LOC (8) Cl.** **07-01**

(52) **U.S. Cl.** **D7/510; D7/511; D7/532**

(58) **Field of Search** **D7/529, 530, 531, D7/532, 523, 510, 511, 396.2, 515, 396.6, 512, 619.1, 607, 624, 509, 507, 608; D26/11; D9/503, 504, 502, 549, 550, 556, 551; 428/34.4; 206/385, 515, 427; 215/387, 383, 388, DIG. 7; 220/714, 711, 669, 674, 675, 703, DIG. 1, 62.12, 290, 737, 392.16, 392.17; 229/400; 62/56**

(56) **References Cited**

U.S. PATENT DOCUMENTS

D199,413 S	*	10/1964	Levinson	D7/608
D316,013 S	*	4/1991	Jones	D7/608
D321,649 S	*	11/1991	Lambe, Jr. et al.	D9/503
D345,676 S	*	4/1994	Biffle	D7/619
5,329,778 A	*	7/1994	Padamsee	62/56
D371,304 S	*	7/1996	Onneweer	D9/503
D373,706 S	*	9/1996	Gregg	D7/511
D386,950 S	*	12/1997	Dettmar	D7/608

D408,689 S	*	4/1999	Kato	D7/608
D422,455 S	*	4/2000	Kato	D7/608
D447,418 S	*	9/2001	Bezek et al.	D9/504
D447,693 S	*	9/2001	Warner et al.	D9/503
D466,371 S	*	12/2002	Parker	D7/510
D471,064 S	*	3/2003	Renz	D7/523
D476,857 S	*	7/2003	Holsinger	D7/608
D488,357 S	*	4/2004	Cabey	D7/607
D488,672 S	*	4/2004	Oas	D7/507
D488,961 S	*	4/2004	Moran	D7/608
D497,778 S	*	11/2004	Rich	D7/608

* cited by examiner

Primary Examiner—M. N. Pandozzi

(74) *Attorney, Agent, or Firm*—Steven J. Adamson

(57) **CLAIM**

I claim the ornamental design for a resealable tumbler, substantially as shown and described.

DESCRIPTION

FIG. 1 is a perspective view of a vessel in accordance with the present invention;

FIG. 2 is a right side elevation view thereof;

FIG. 3 is a front elevational view thereof, the rear being a mirror image thereof;

FIG. 4 is a left side elevation view thereof;

FIG. 5 is a top plan view thereof; and,

FIG. 6 is a bottom plan view thereof.

The broken lines in the drawings are for illustrative purposes only and form no part of the claimed design.

1 Claim, 3 Drawing Sheets

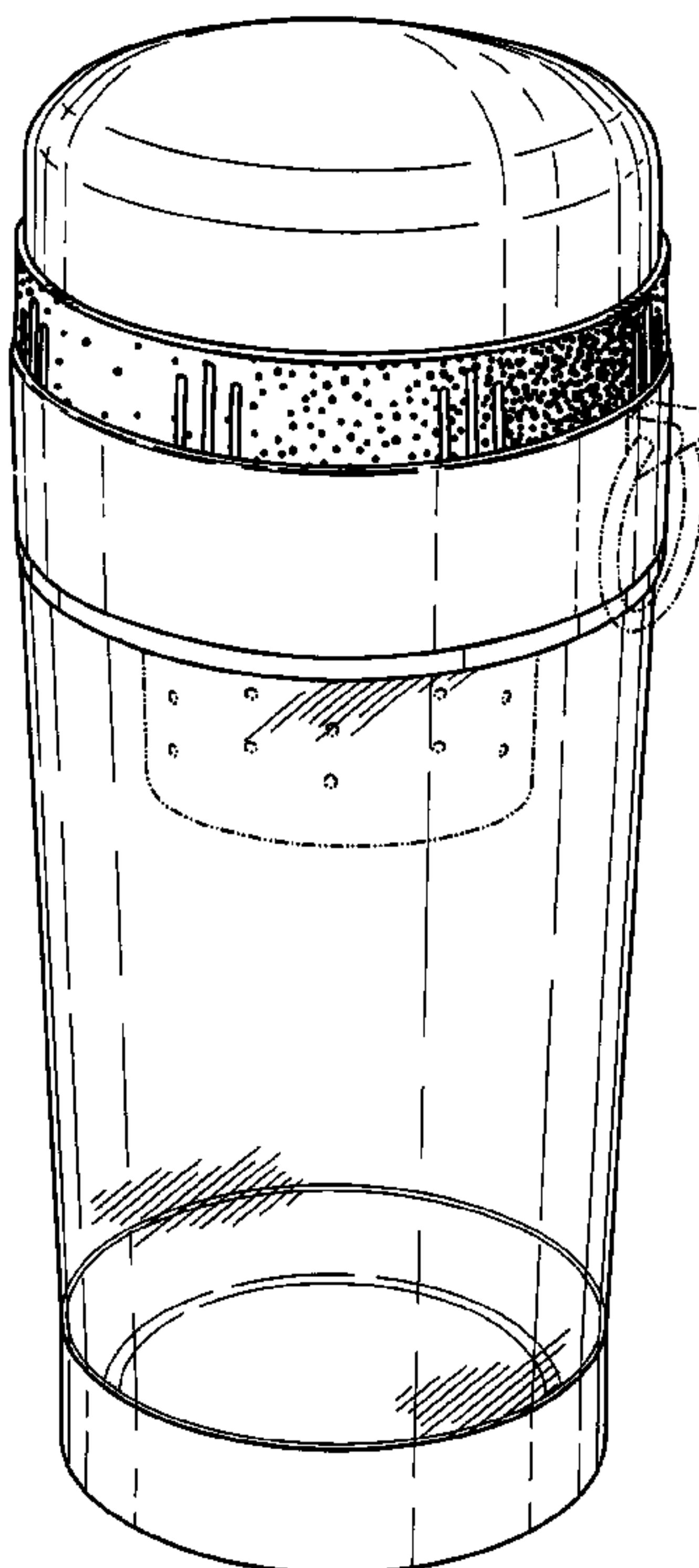


Fig. 1

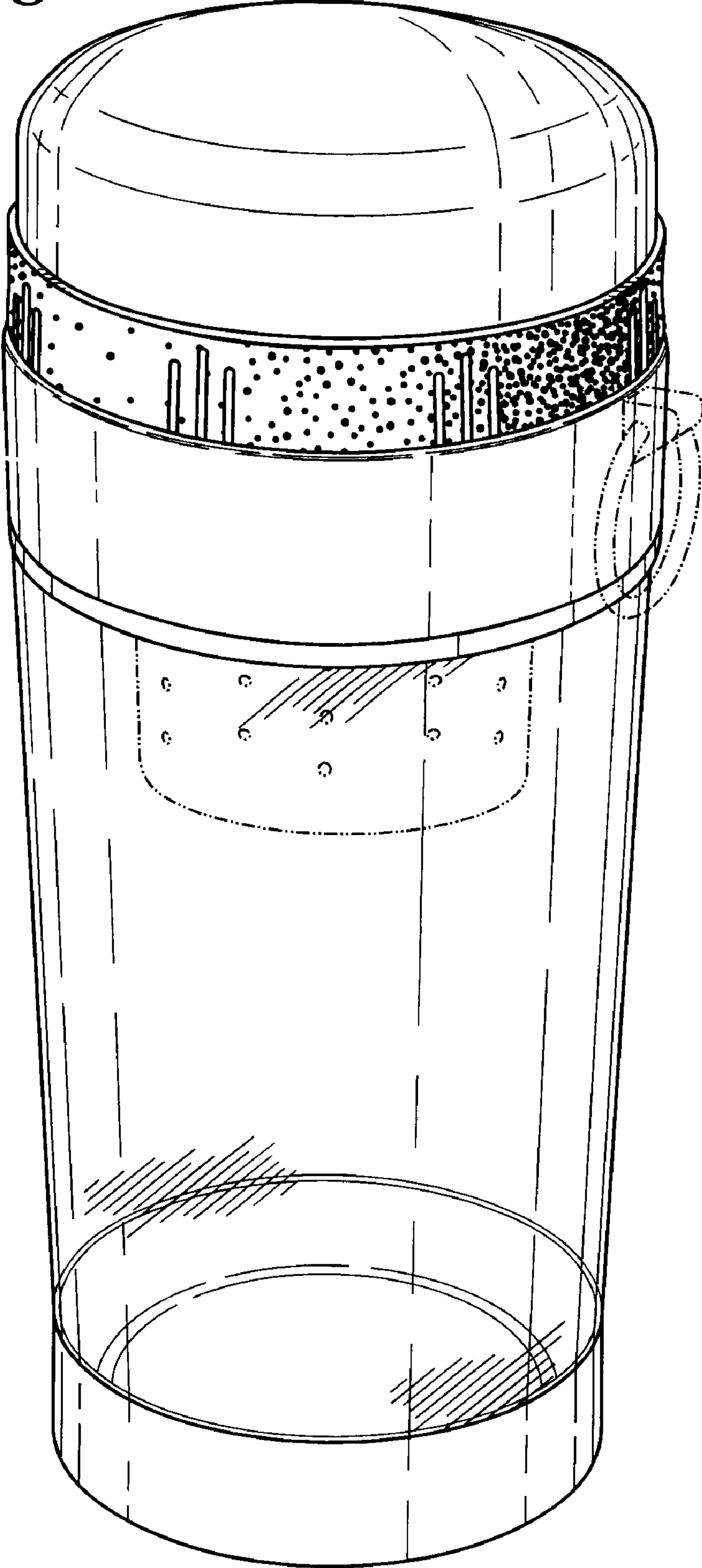


Fig. 4

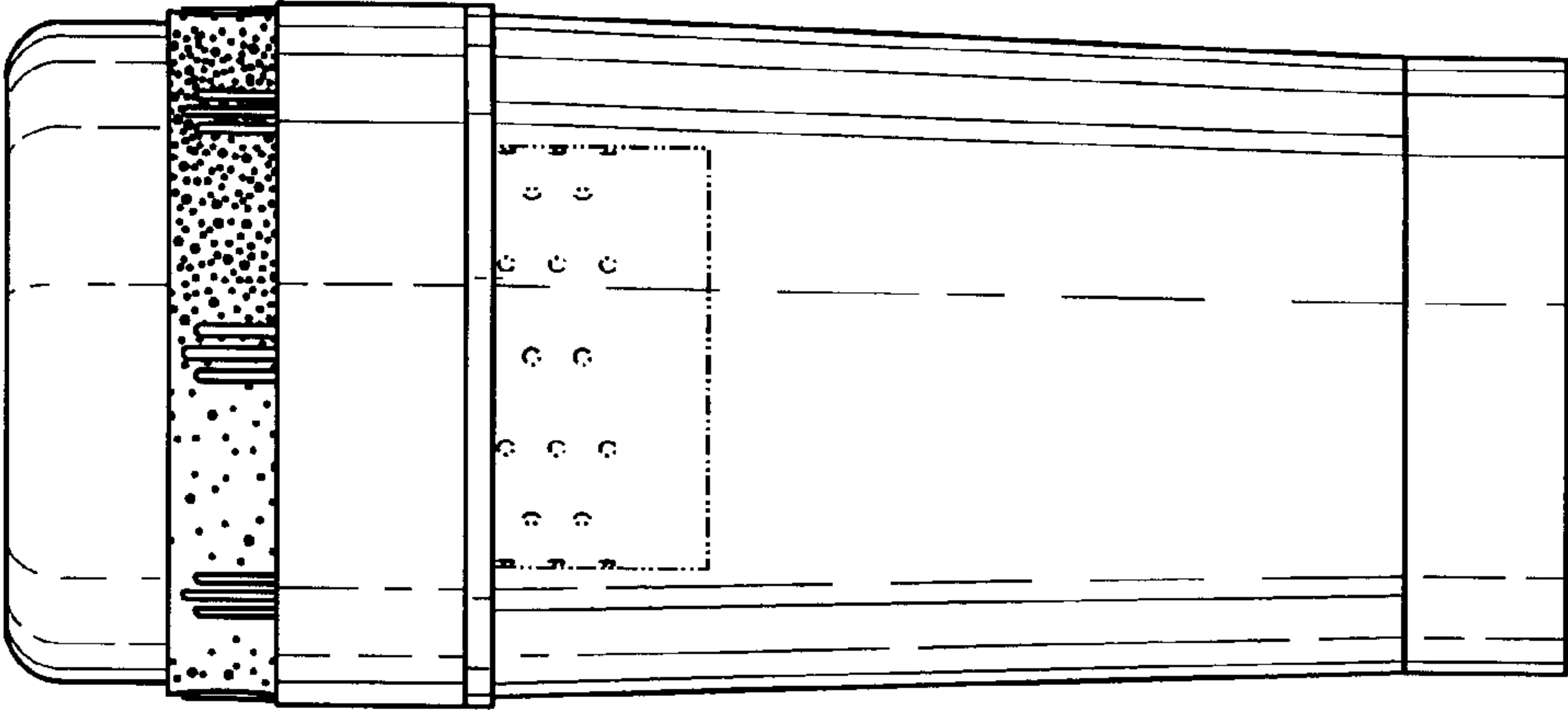


Fig. 3

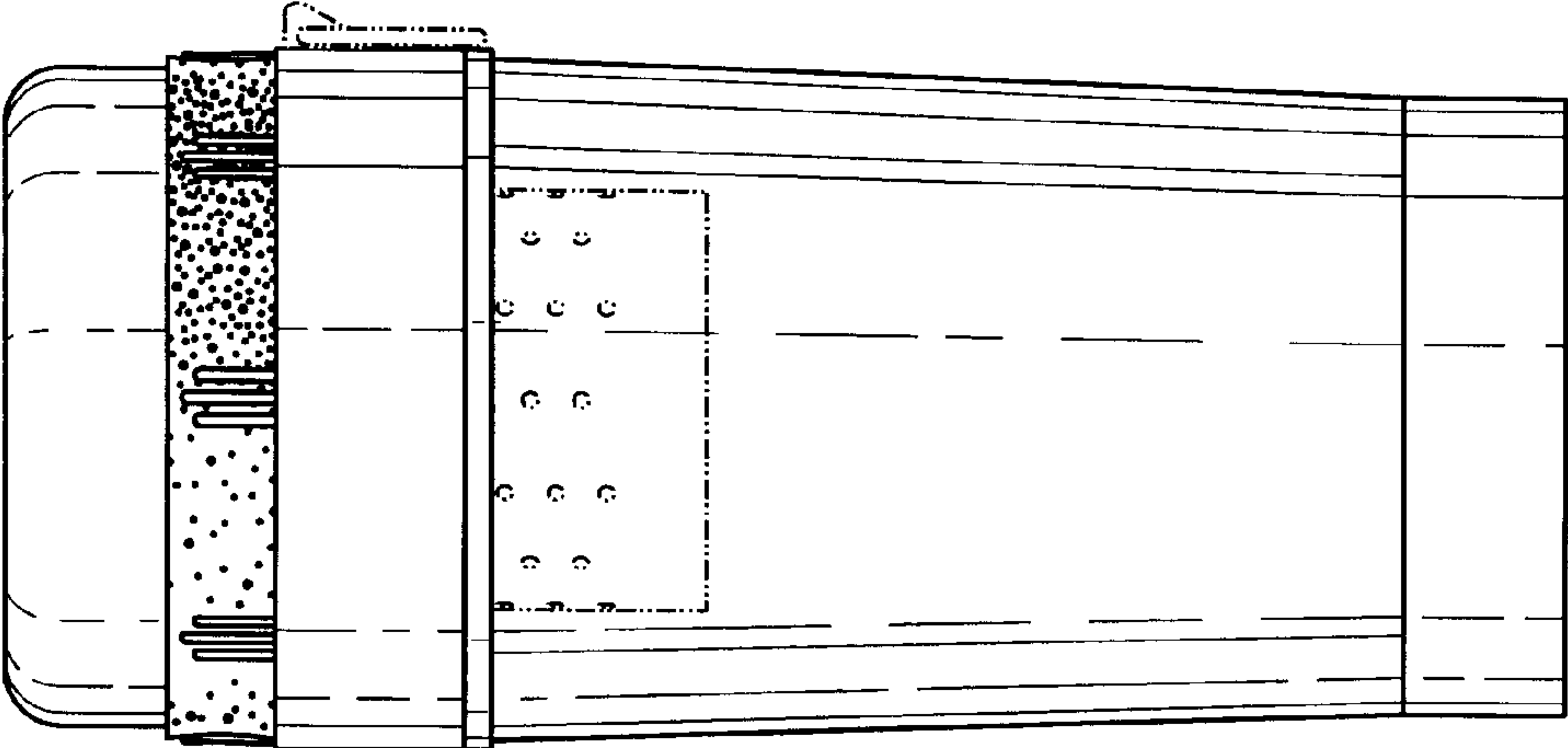


Fig. 2

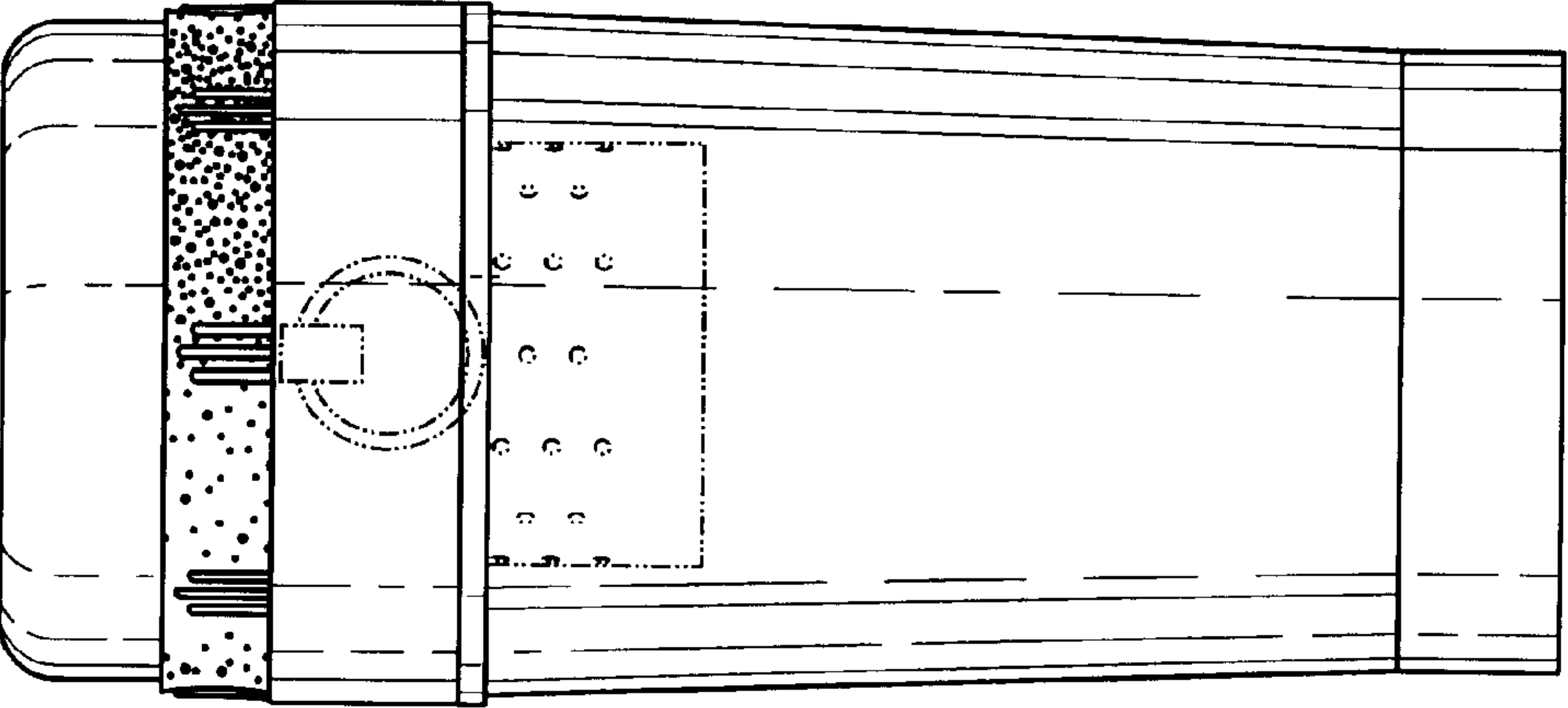


Fig. 5

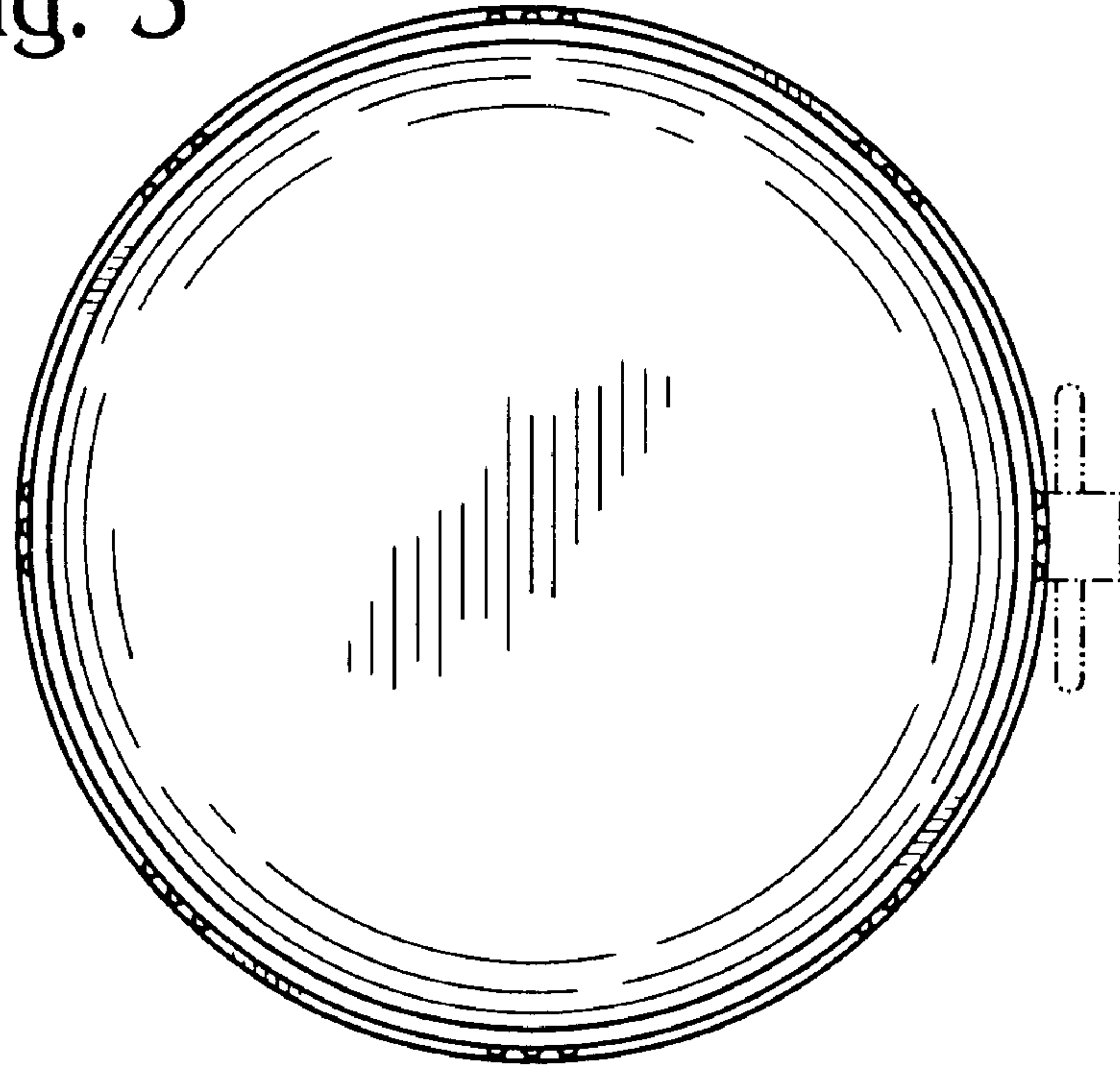


Fig. 6

