

US00D505828S

(12) **United States Design Patent**
Snell

(10) **Patent No.:** **US D505,828 S**
(45) **Date of Patent:** **** Jun. 7, 2005**

(54) **TUMBLER BASE**
(75) **Inventor:** **Russell Benton Snell**, Bentleyville, OH (US)
(73) **Assignee:** **InterDesign, Inc.**, Solon, OH (US)
(**) **Term:** **14 Years**
(21) **Appl. No.:** **29/183,745**
(22) **Filed:** **Jun. 17, 2003**

6,439,418 B1 8/2002 Immerman et al.
D463,715 S 10/2002 Dretzka
D466,371 S * 12/2002 Parker D7/510
D469,658 S * 2/2003 Norris et al. D7/523
D470,364 S 2/2003 Dretzka
D470,638 S * 2/2003 Quan D34/7
D472,427 S 4/2003 Dretzka
D479,671 S * 9/2003 Gluck D7/533
D483,611 S * 12/2003 Diak Ghanem D7/523
D483,995 S * 12/2003 Otake D7/523

* cited by examiner

(51) **LOC (8) Cl.** **07-01**
(52) **U.S. Cl.** **D7/396.2; D7/396.6; D7/523**
(58) **Field of Search** D7/396.1, 396.2, D7/396, 509, 523, 510, 511, 532, 529, 540, 503, 533, 396.6; 215/387, 388, DIG. 7; 220/714, 705, 703, 710, 717, 592.1, 592.16, 592.17; 222/568; D99/25; D34/7

Primary Examiner—M. N. Pandozzi
(74) *Attorney, Agent, or Firm*—D. Peter Hochberg; Sean Mellino; Katherine R. Vieyra

(57) **CLAIM**

The ornamental design for a tumbler base, as shown and described.

DESCRIPTION

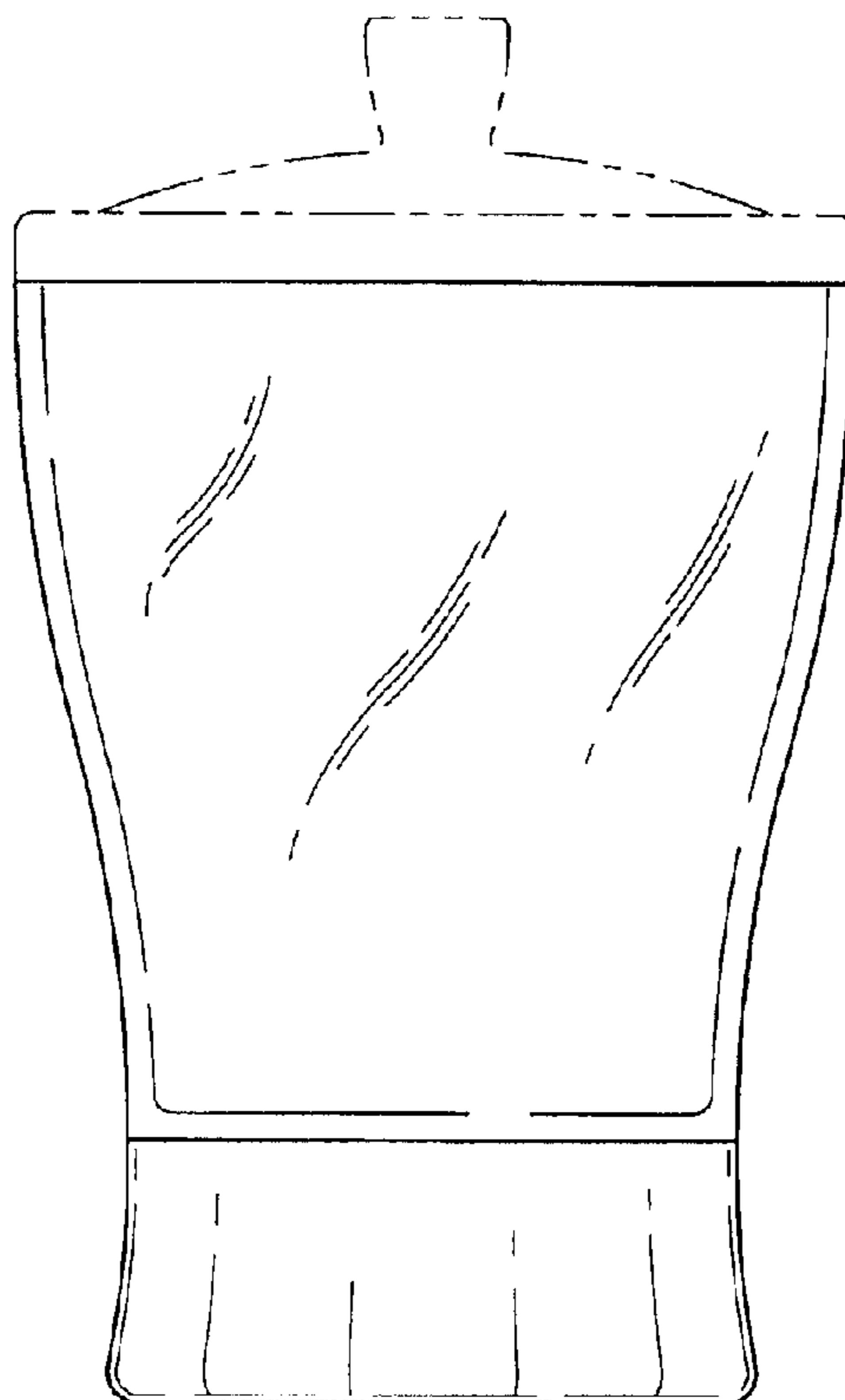
FIG. 1 is a perspective view of a tumbler base showing my new design;
FIG. 2 is a top plan view thereof;
FIG. 3 is a front view thereof; and,
FIG. 4 is a bottom view thereof.
The broken lines in the drawings are for illustrative purposes only and form no part of the claimed design.

(56) **References Cited**

U.S. PATENT DOCUMENTS

D112,846 S * 1/1939 Reiser D7/503
D118,653 S * 1/1940 Sawyer D7/523
D335,382 S * 5/1993 O'Brien D99/25
D364,317 S * 11/1995 Humphrey et al. D7/511
D444,673 S * 7/2001 Lin D7/510
D457,389 S 5/2002 Snell
D457,782 S * 5/2002 Snell D7/396.6

1 Claim, 2 Drawing Sheets



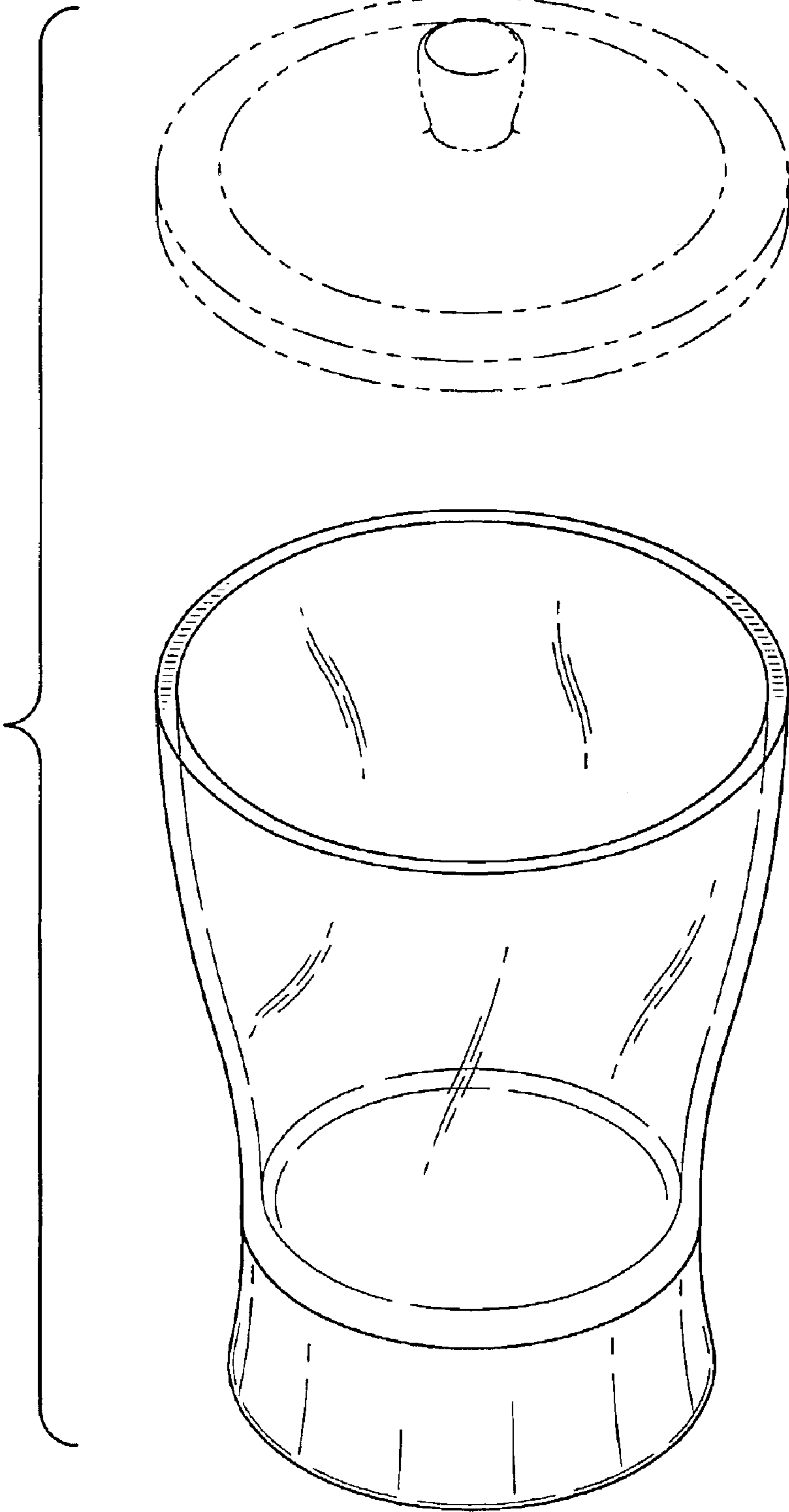


FIG-1

FIG-2

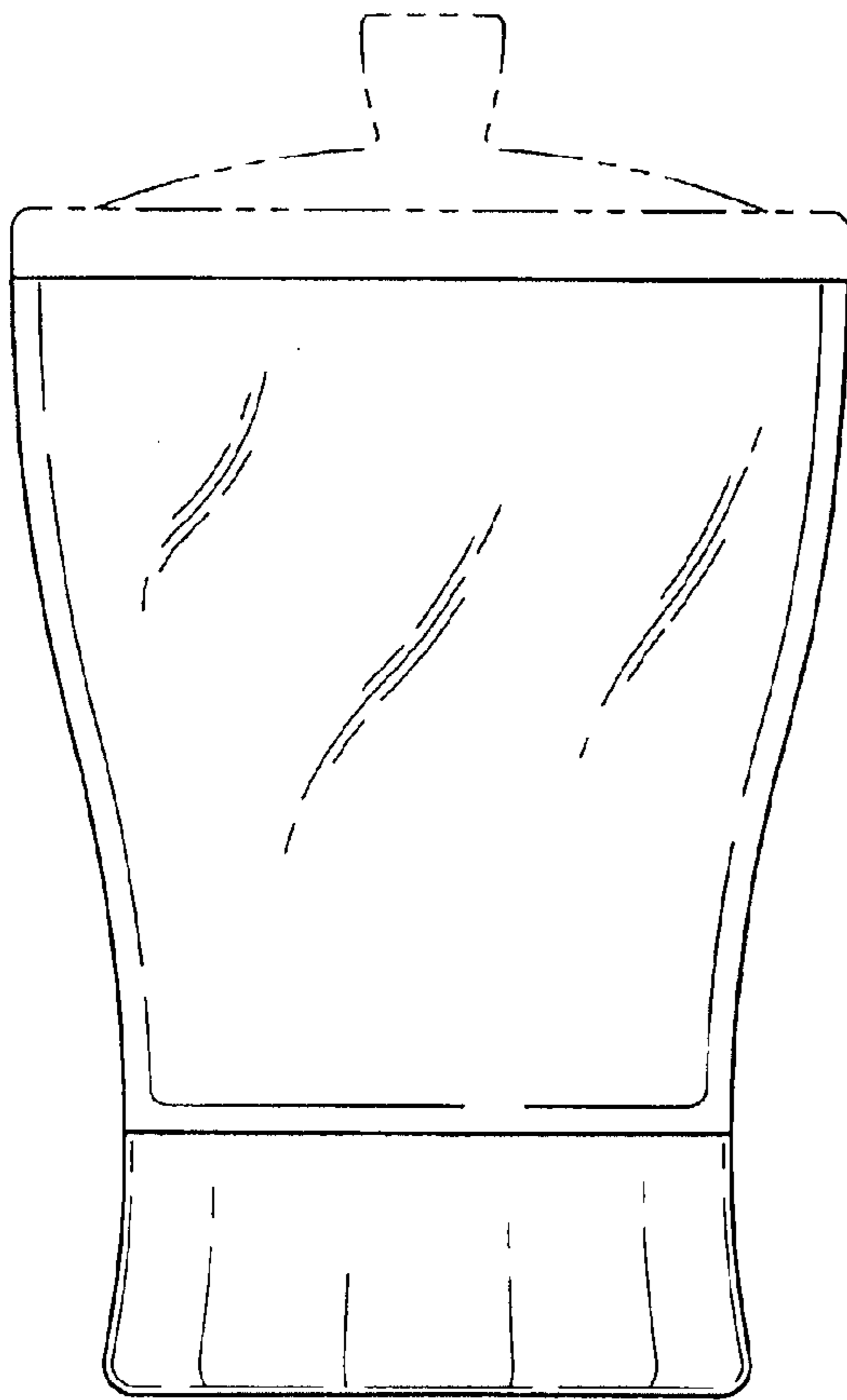
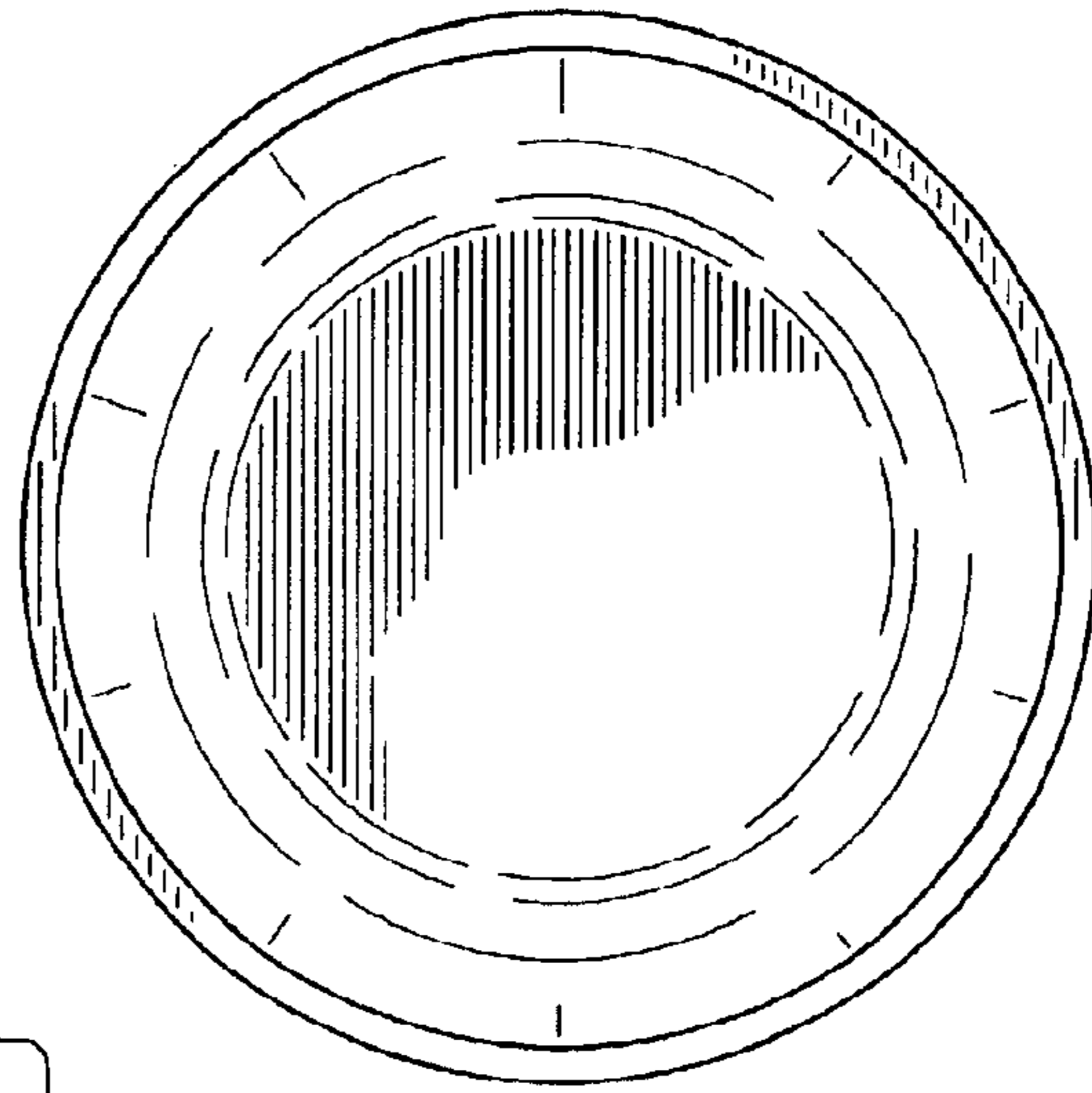


FIG-3

FIG-4

