

US00D505823S

(12) **United States Design Patent**
Turner

(10) **Patent No.:** **US D505,823 S**
(45) **Date of Patent:** **** Jun. 7, 2005**

- (54) **DISPENSING APPARATUS**
- (75) Inventor: **Rob Turner**, Columbus, OH (US)
- (73) Assignee: **Carvel Corporation**, Atlanta, GA (US)
- (**) Term: **14 Years**
- (21) Appl. No.: **29/210,696**
- (22) Filed: **Aug. 4, 2004**
- (51) **LOC (8) Cl.** **07-01**
- (52) **U.S. Cl.** **D7/307; D7/308; D7/311**
- (58) **Field of Search** **D7/397, 306, 307, D7/308, 300, 311, 313, 301; 126/378.1; 222/129.1, 129.3, 129.2, 129.4, 146.6, 108; 141/9; 312/204; 62/390; 221/24; D6/481, 471; D21/370**

- D300,595 S * 4/1989 Boxall D7/307
- D337,019 S * 7/1993 Newnan D7/308
- D372,625 S * 8/1996 Forsen D7/308
- D378,260 S * 3/1997 Precelton D7/301
- 5,607,211 A * 3/1997 Henninger et al. 312/204
- D381,857 S * 8/1997 Swaim D7/307
- D448,600 S * 10/2001 Sandor et al. D7/307
- D452,406 S * 12/2001 Schroeder et al. D7/307
- D486,687 S * 2/2004 Strandell D7/307
- D489,563 S * 5/2004 Zhou D7/307

* cited by examiner

Primary Examiner—M. N. Pandozzi
(74) *Attorney, Agent, or Firm*—Smith, Gambrell & Russell, LLP

(57) **CLAIM**

The ornamental design for a dispensing apparatus, as shown and described.

(56) **References Cited**

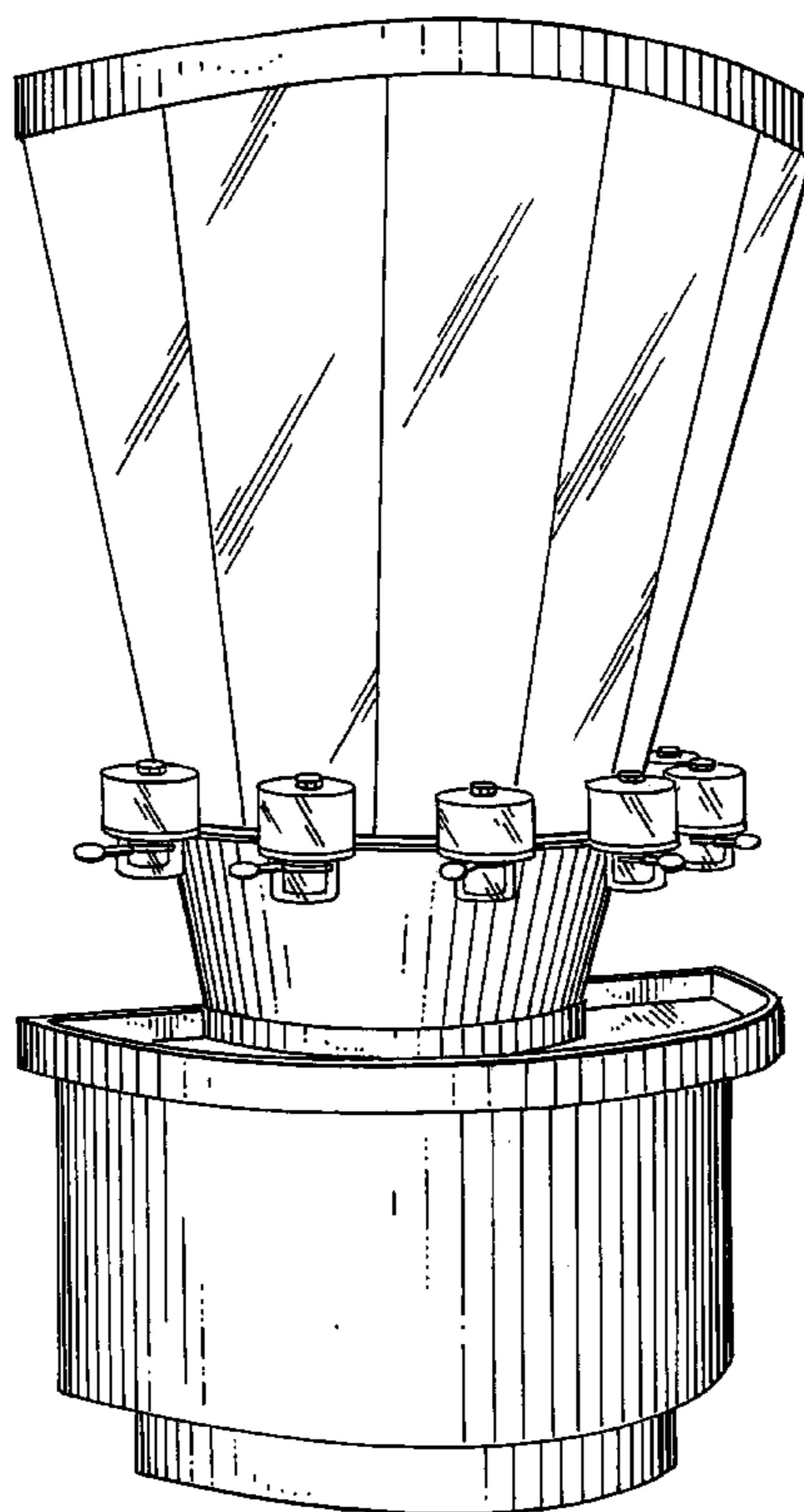
U.S. PATENT DOCUMENTS

- D85,651 S * 12/1931 Jensen D7/300
- D85,718 S * 12/1931 Jensen D7/308
- D154,291 S * 6/1949 Levin D7/307
- 2,676,585 A * 4/1954 Pappas 126/378.1
- D205,394 S * 8/1966 Richeson D7/308
- D205,826 S * 9/1966 Reichow D7/308
- D287,688 S * 1/1987 Mortimer D7/307
- D287,689 S * 1/1987 Mortimer D7/307
- D288,516 S * 3/1987 Mortimer D7/307
- D292,466 S * 10/1987 Runyon D7/306
- D292,467 S * 10/1987 Runyon D7/306

DESCRIPTION

FIG. 1 is a front perspective view of a dispensing apparatus of the present invention;
FIG. 2 is a top plan view thereof;
FIG. 3 is a front view thereof;
FIG. 4 is a bottom plan view thereof;
FIG. 5 is a rear view thereof;
FIG. 6 is a right side view thereof; and,
FIG. 7 is a detailed perspective view of an individual dispenser of the dispensing apparatus with the dispensing apparatus removed for ease of illustration.

1 Claim, 4 Drawing Sheets



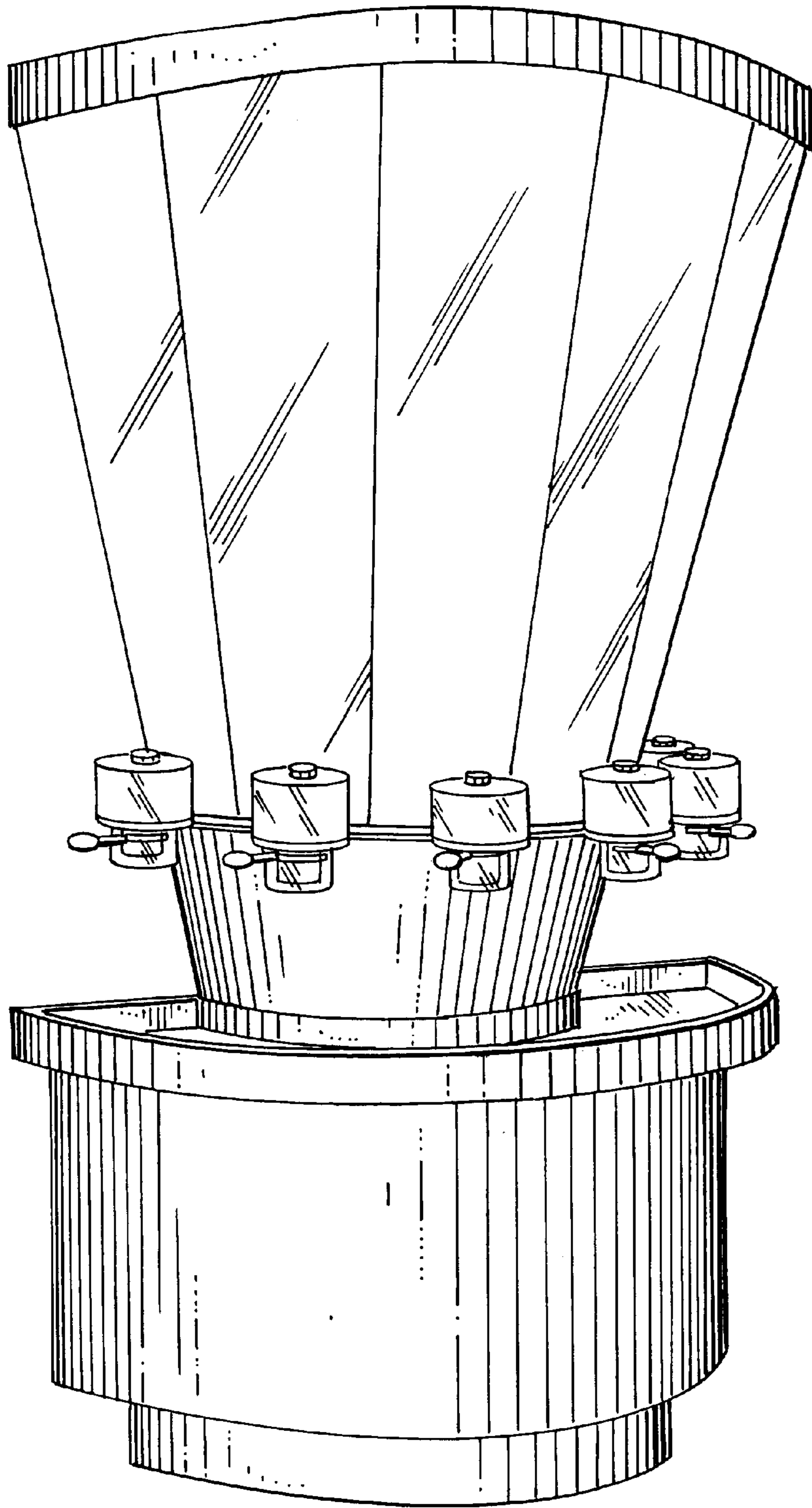


Fig. 1

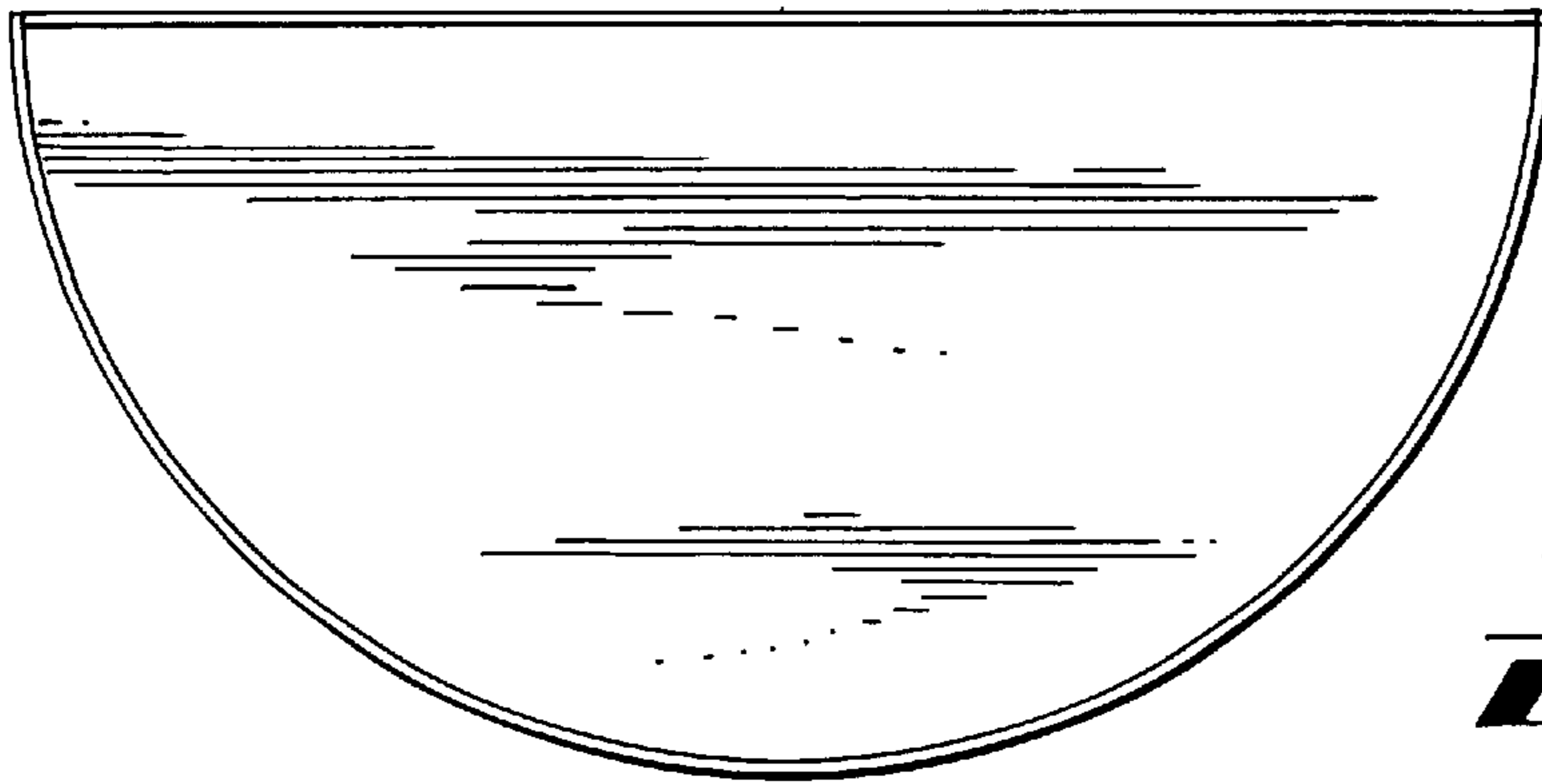


Fig. 2

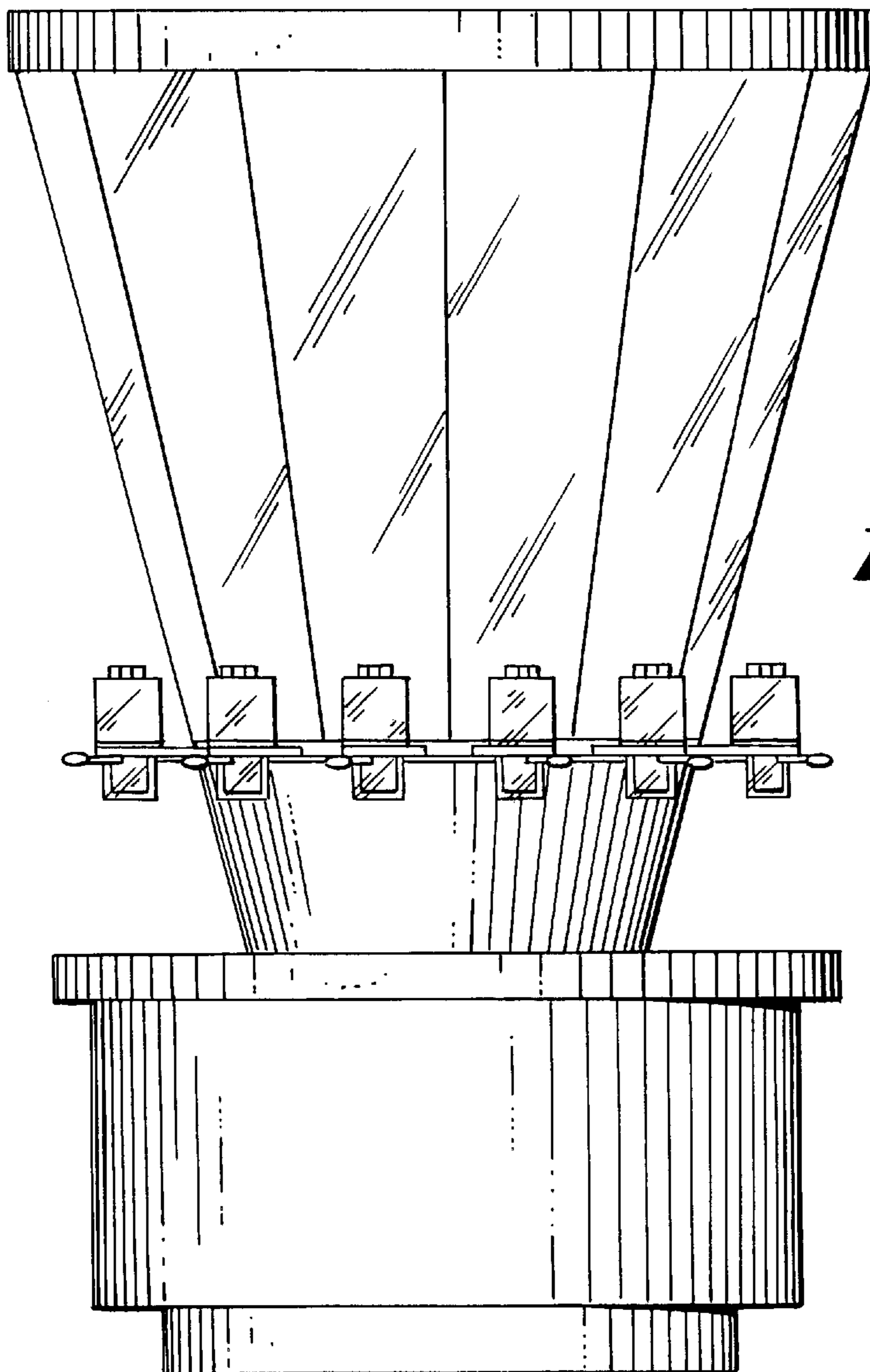


Fig. 3

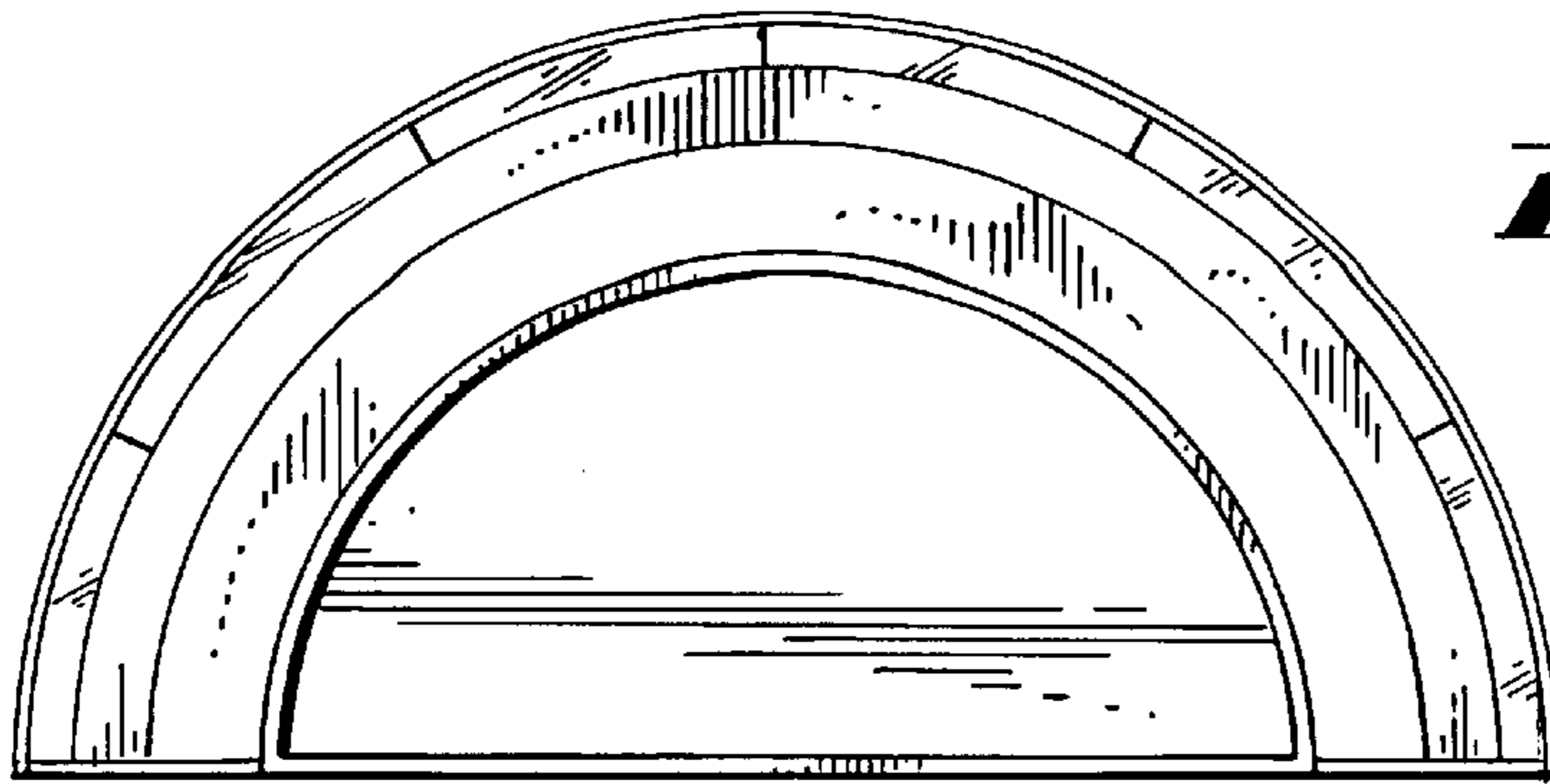


Fig. 4

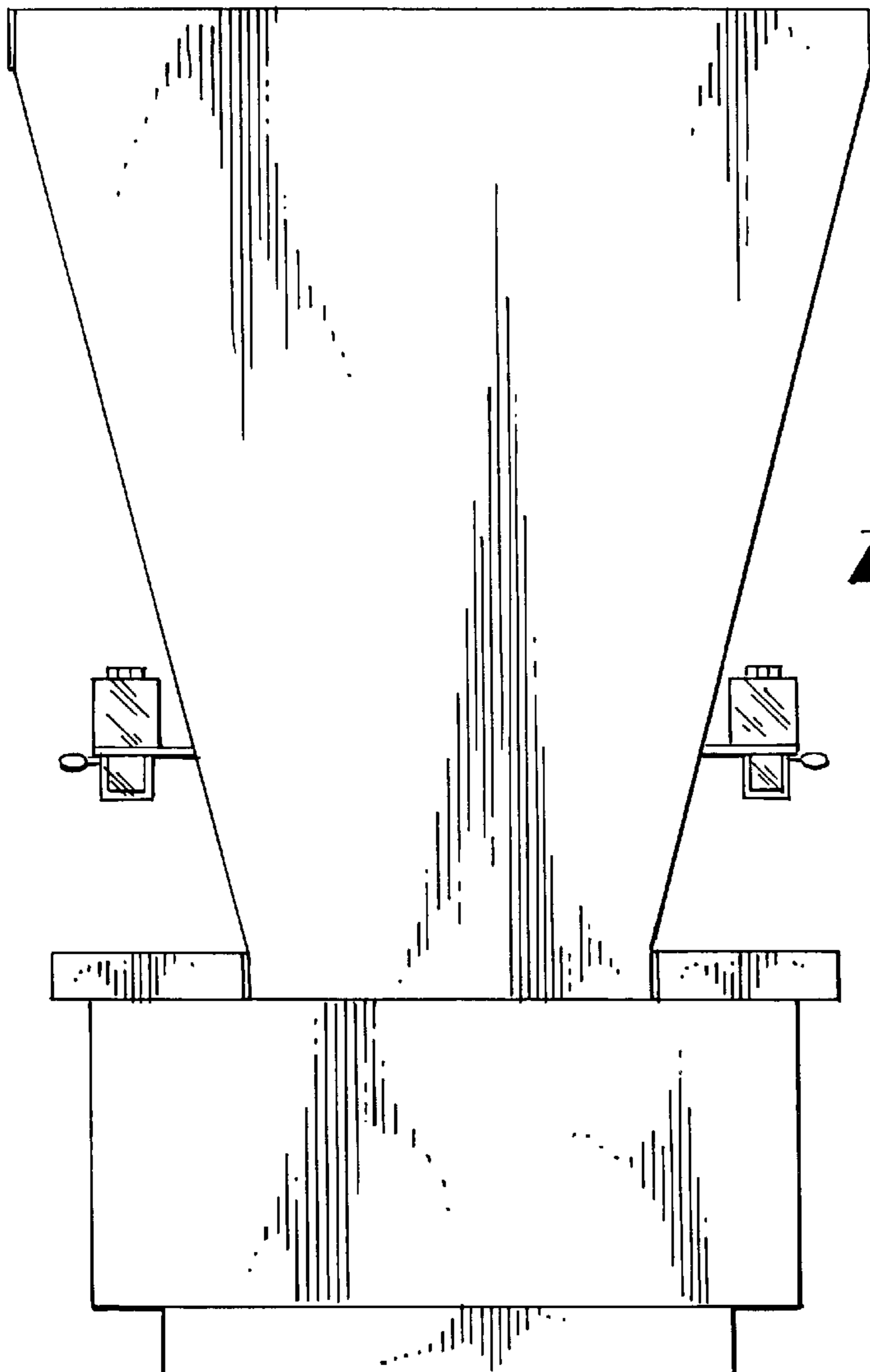


Fig. 5

Fig. 6

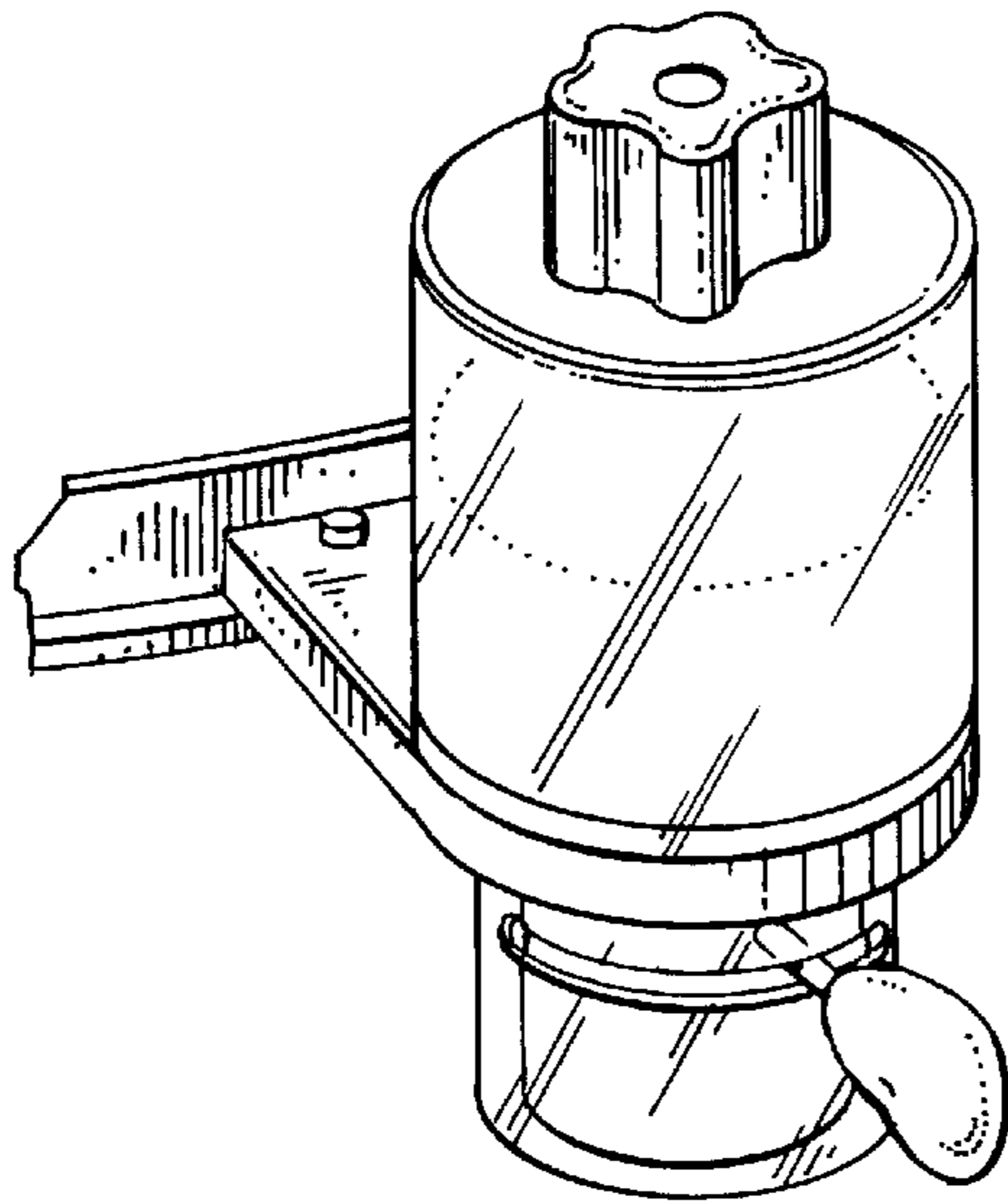
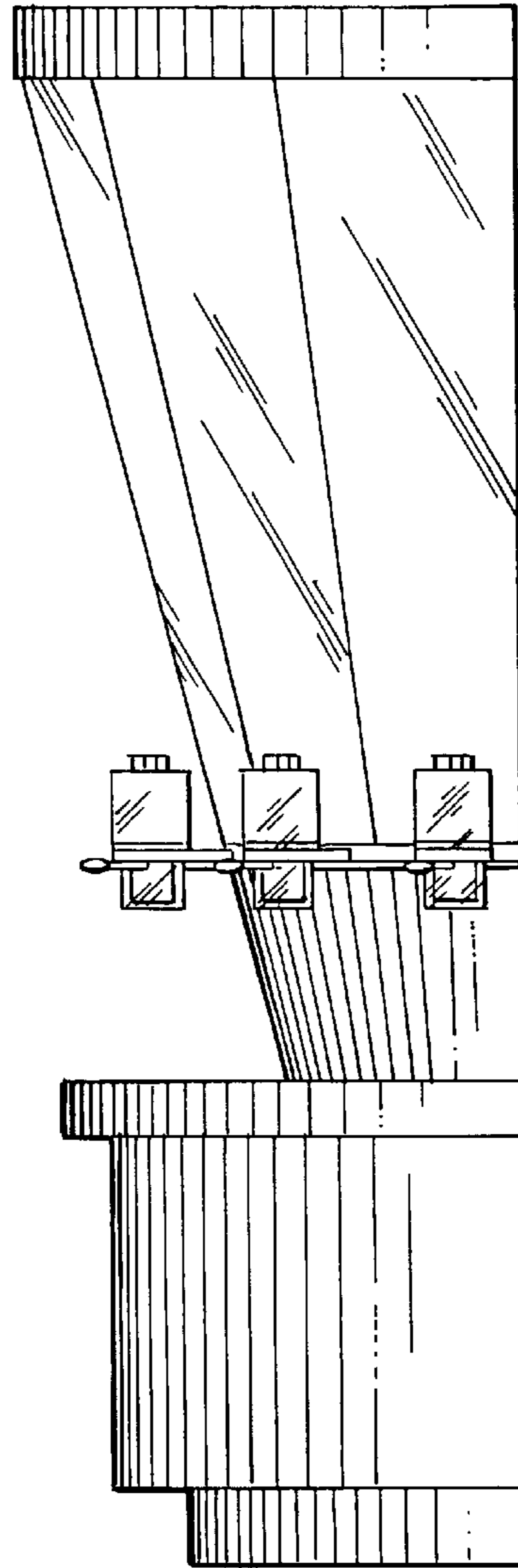


Fig. 7