

US00D505821S

(12) **United States Design Patent**
Liebe et al.

(10) **Patent No.:** **US D505,821 S**
(45) **Date of Patent:** **** Jun. 7, 2005**

(54) **COFFEE MACHINE**

(75) Inventors: **Thomas Liebe**, Thun (CH); **Martin Iseli**, Bern (CH); **Robert Friedrich**, Weesen (CH)

(73) Assignee: **M. Schaerer AG**, Moosseedorf (CH)

(**) Term: **14 Years**

(21) Appl. No.: **29/187,994**

(22) Filed: **Aug. 11, 2003**

(30) **Foreign Application Priority Data**

Feb. 11, 2003 (CH) 129501

(51) **LOC (8) Cl.** **07-01**

(52) **U.S. Cl.** **D7/305; D7/309; D7/310; D7/311**

(58) **Field of Search** D7/300, 309, 310, D7/311, 306, 305, 307, 308; 99/283, 295, 284, 293, 280, 300, 281; 222/82, 129.1, 144.5

(56) **References Cited**

U.S. PATENT DOCUMENTS

- D309,842 S * 8/1990 Frech D7/308
- D334,863 S * 4/1993 Phillips et al. D7/308
- D345,279 S * 3/1994 Sieger D7/309
- D346,717 S * 5/1994 Geiger D7/309
- D360,331 S * 7/1995 McNeill D7/305
- D360,555 S * 7/1995 Miguel D7/309
- D365,490 S * 12/1995 Pomeroy D7/309
- D382,437 S * 8/1997 Amiel D7/309
- D396,987 S * 8/1998 Seiffert D7/309
- D399,089 S * 10/1998 Cortese D7/309
- D400,046 S * 10/1998 Seiffert D7/309
- D408,681 S * 4/1999 Lin D7/309
- D413,757 S * 9/1999 Munoz D7/309
- D445,292 S * 7/2001 Sowden D7/309
- D455,596 S * 4/2002 Boos D7/309

- D476,842 S * 7/2003 Cortese D7/309
- D479,086 S * 9/2003 Rivard et al. D7/306
- D481,901 S * 11/2003 Daniels et al. D7/309
- D495,189 S * 8/2004 Cahen D7/309

* cited by examiner

Primary Examiner—M. N. Pandozzi

(74) *Attorney, Agent, or Firm*—Sidley Austin Brown & Wood, LLP

(57) **CLAIM**

The ornamental design for a coffee machine, as shown and described.

DESCRIPTION

FIG. 1 shows a front perspective view of a coffee machine according to our new design;

FIG. 2 shows a perspective rightside view of the coffee machine shown in FIG. 1;

FIG. 3 is a front perspective view thereof;

FIG. 4 shows a perspective rear view of the coffee machine shown in FIG. 1;

FIG. 5 is a rear perspective view thereof;

FIG. 6 is a front, left perspective view thereof;

FIG. 7 shows a perspective leftside view of the coffee machine shown in FIG. 1;

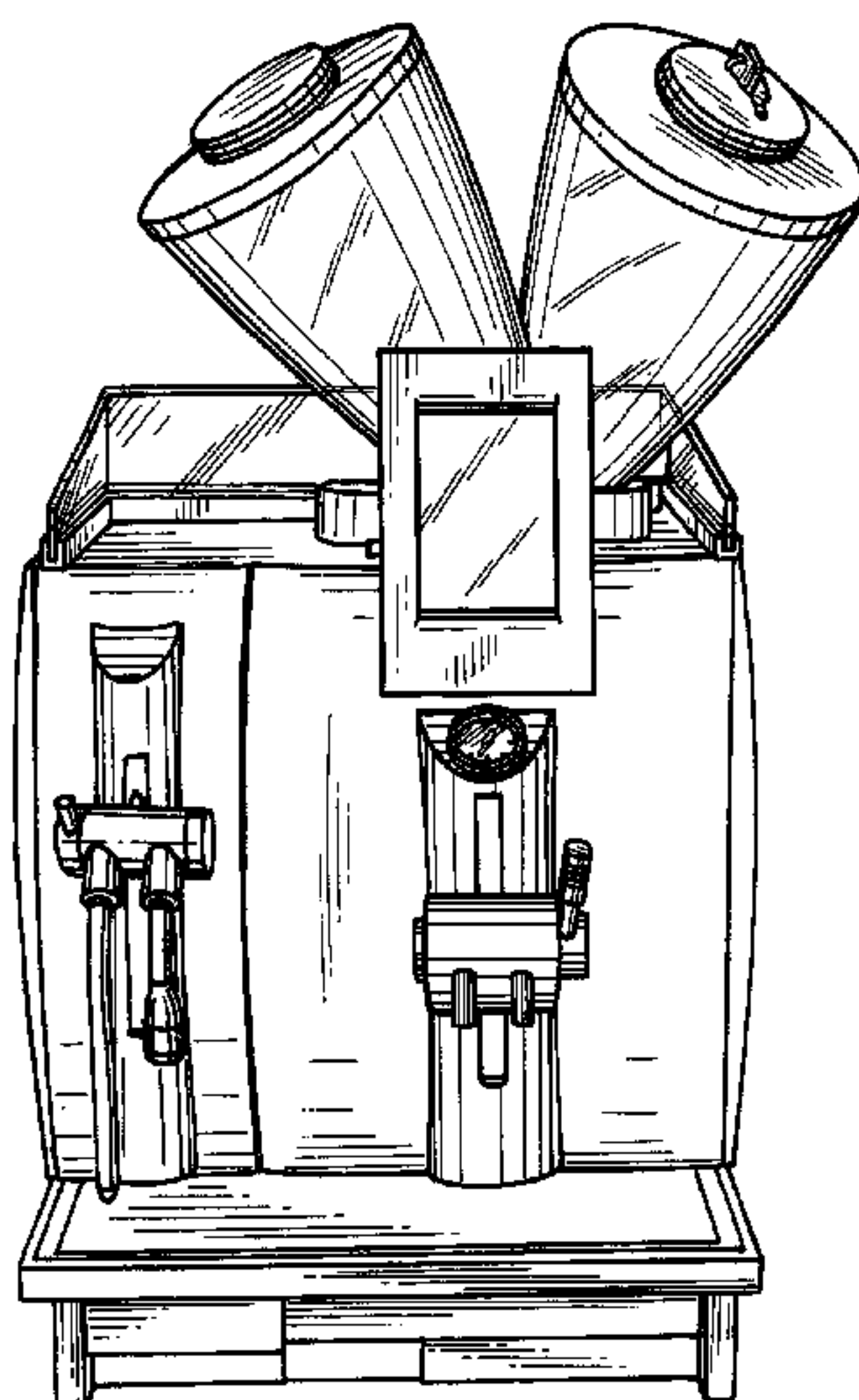
FIG. 8 is an enlarged left perspective view thereof, showing the water/stem outlet, the rest of the coffee machine removed for ease of illustration;

FIG. 9 is an enlarged right side perspective view thereof, showing the coffee outlet with the rest of the coffee machine removed for ease of illustration;

FIG. 10 is an enlarged front right side perspective view thereof, showing the bean hoppers with the rest of the coffee machine removed for ease of illustration; and,

FIG. 11 is an enlarged perspective view thereof, showing the cup frame with the rest of the coffee machine removed for ease of illustration.

1 Claim, 9 Drawing Sheets



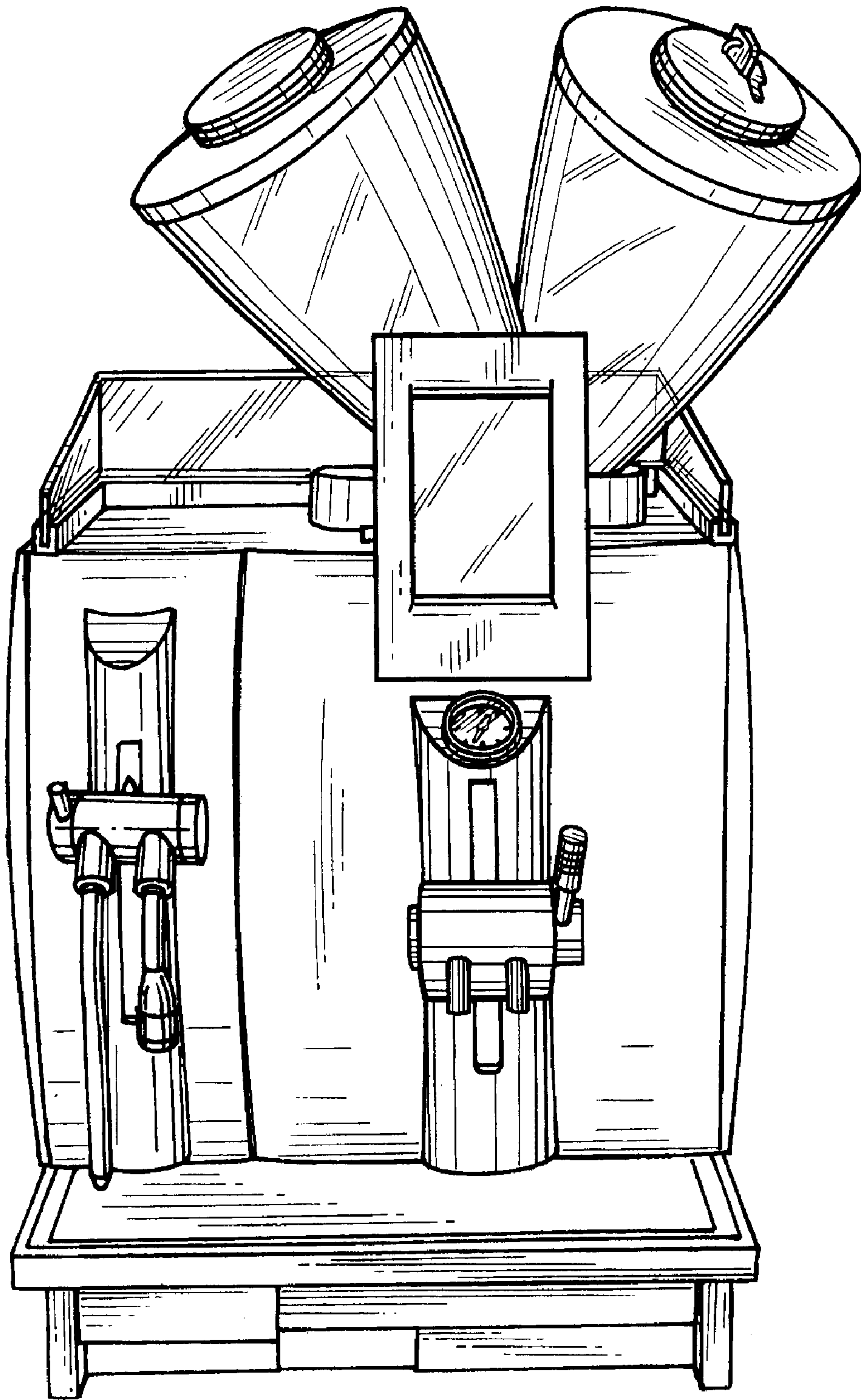


FIG.1

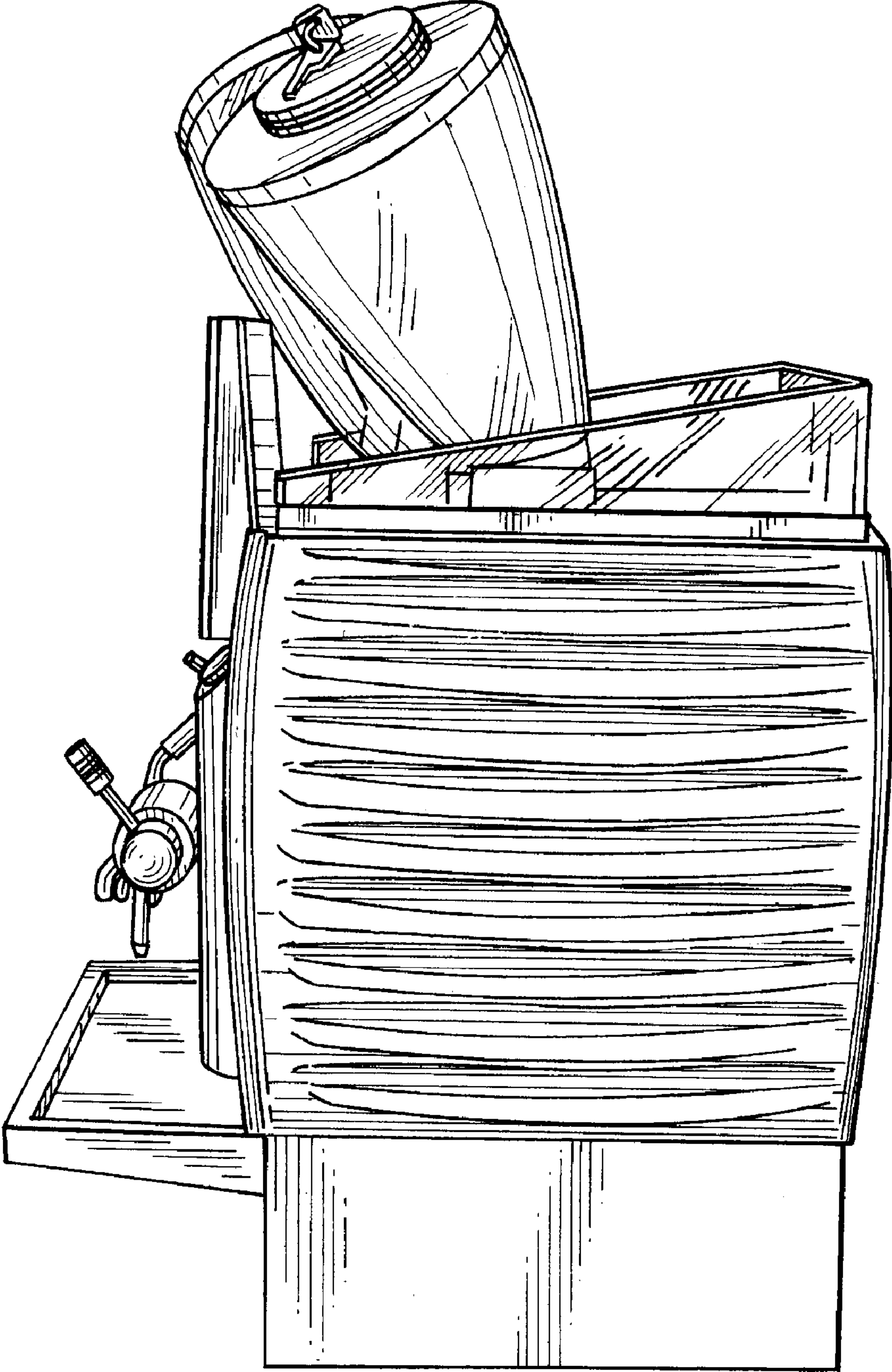


FIG.2

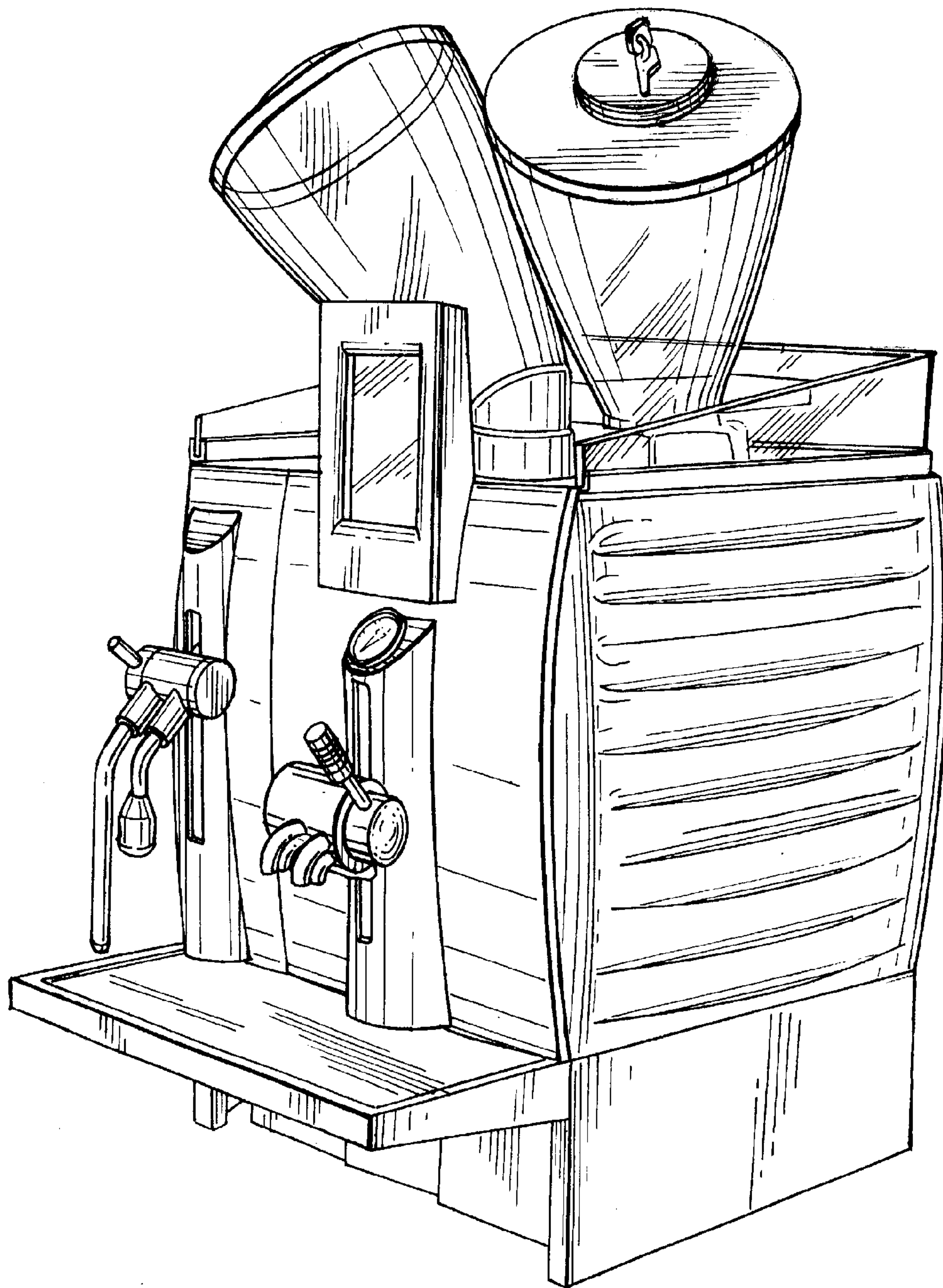


FIG.3

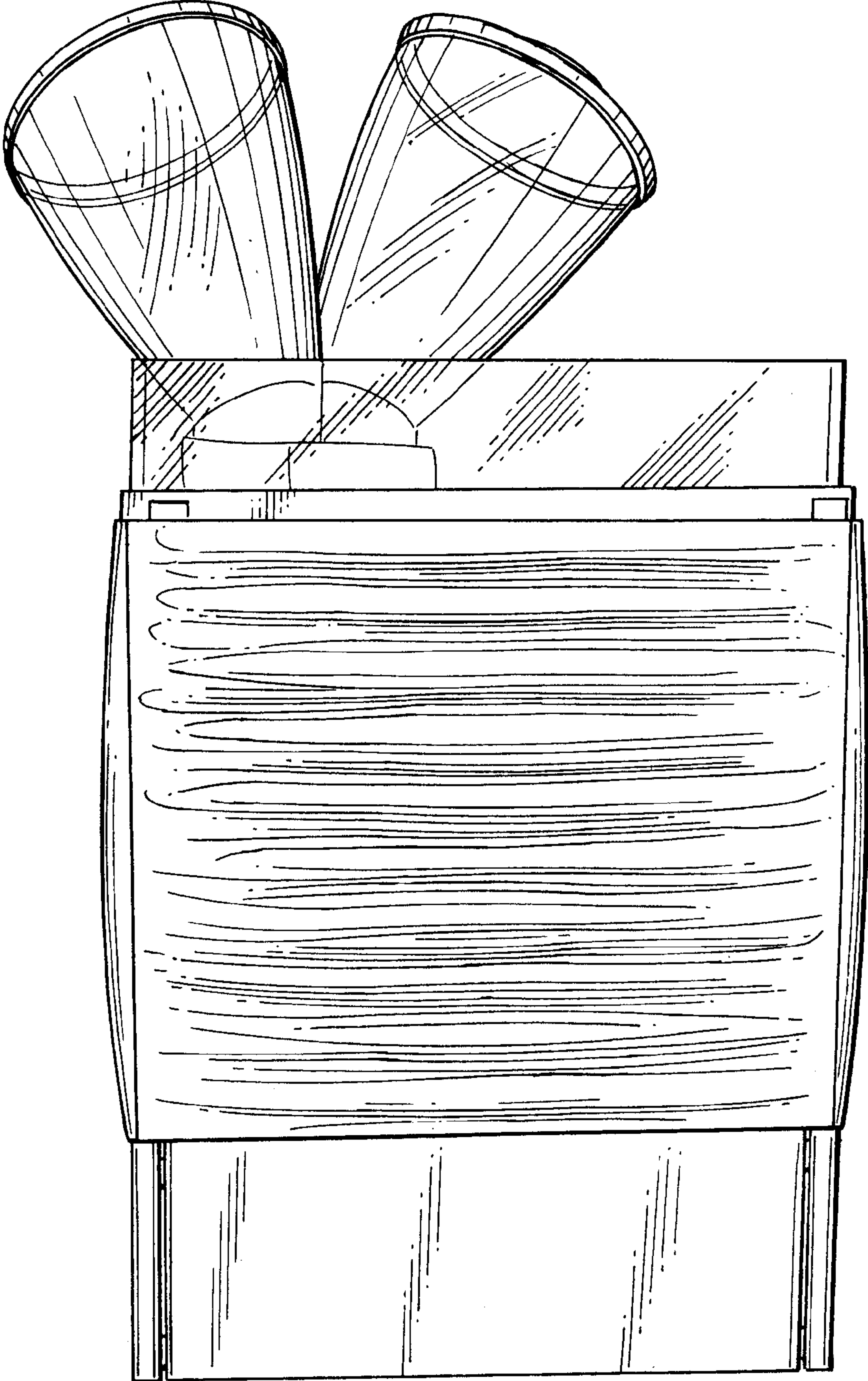


FIG.4

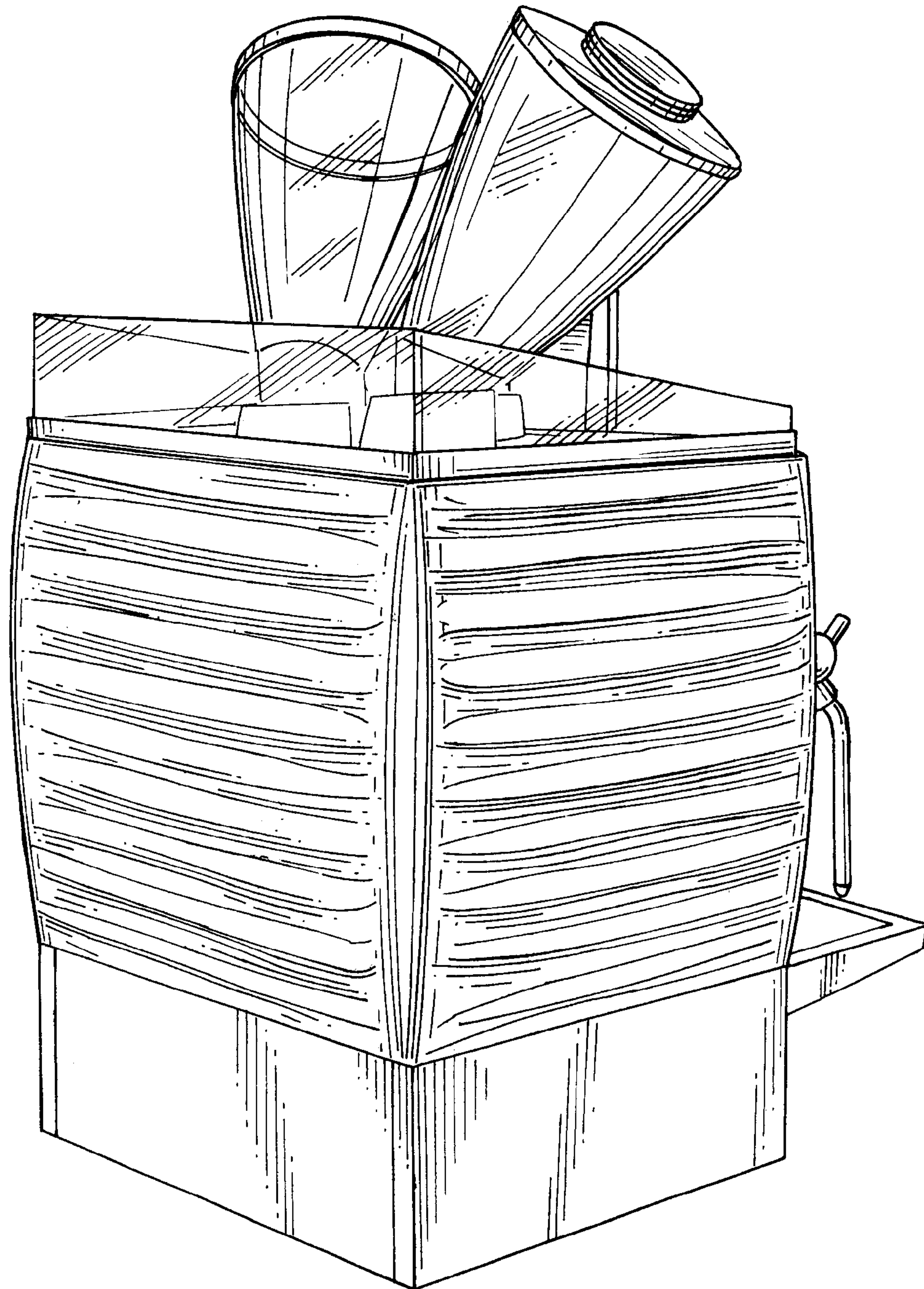


FIG.5

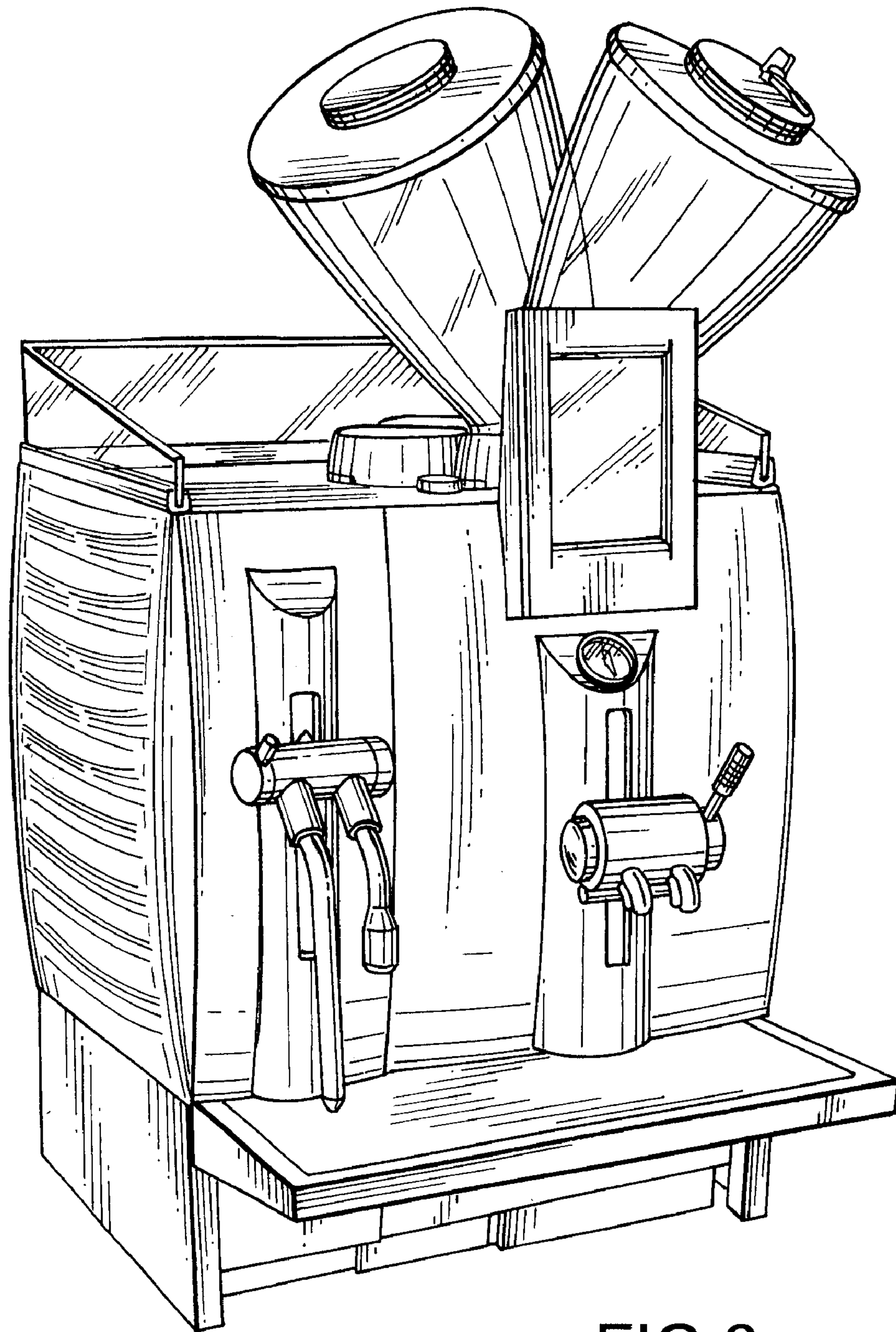


FIG.6

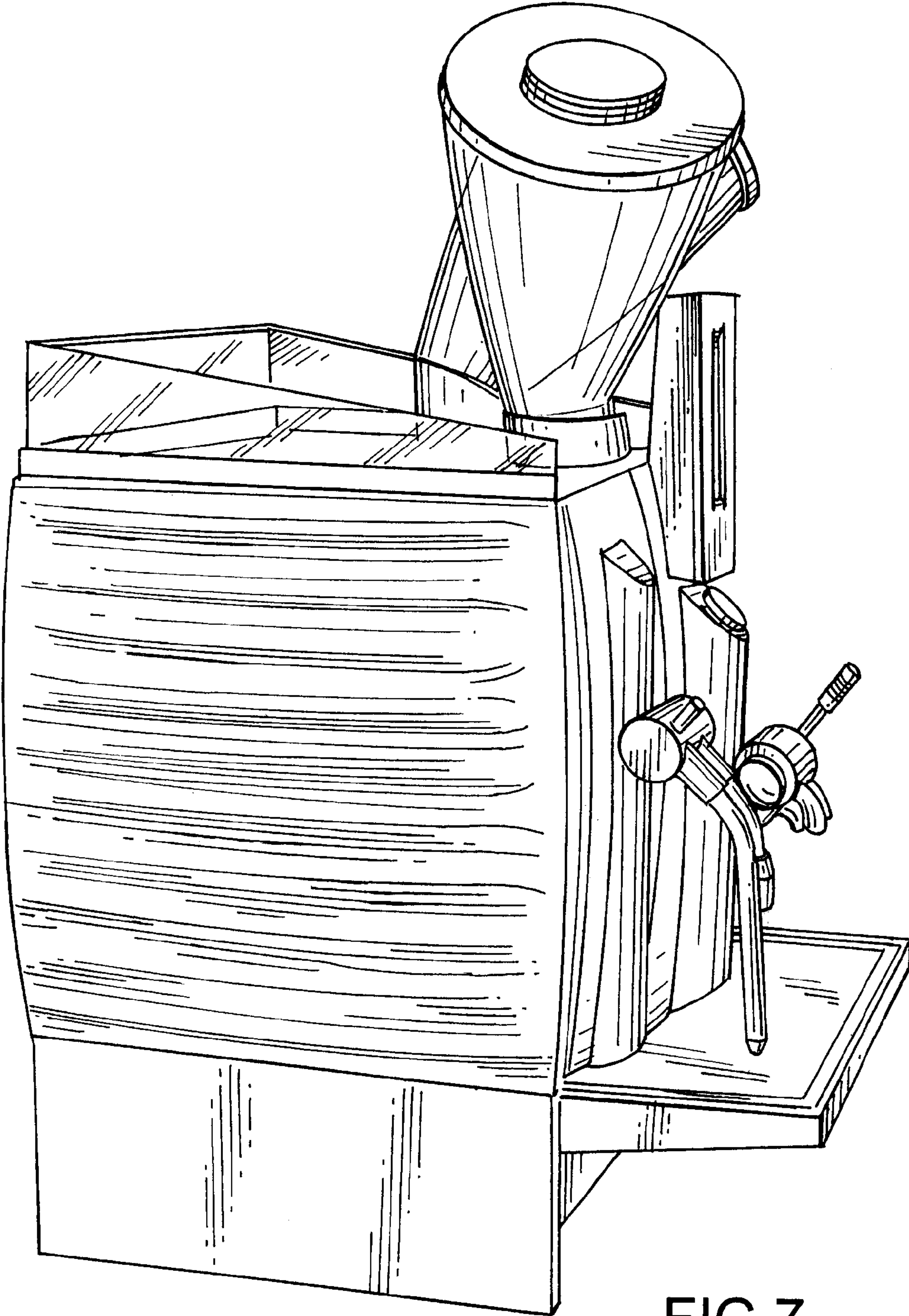


FIG.7

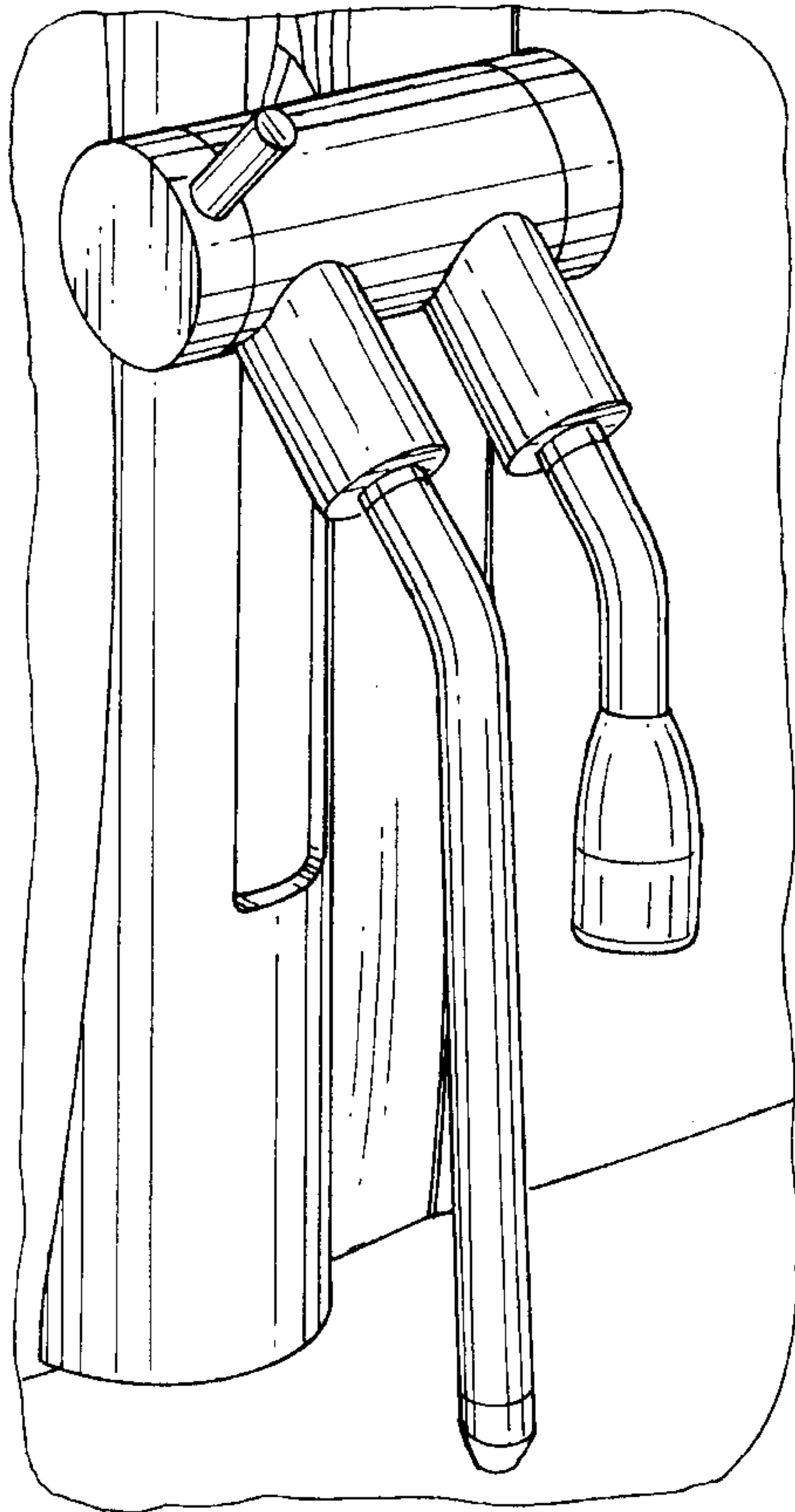


FIG. 8

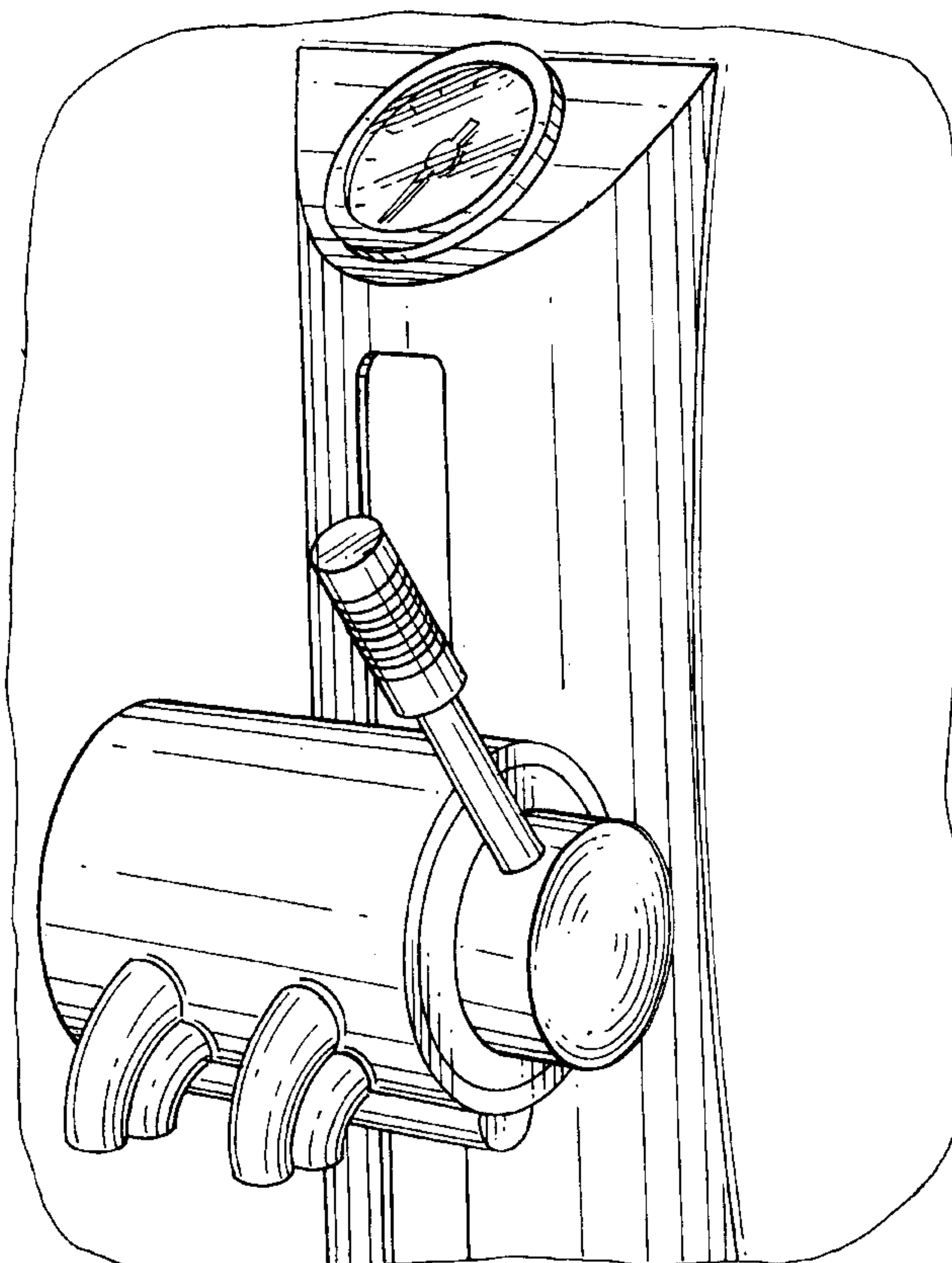


FIG. 9

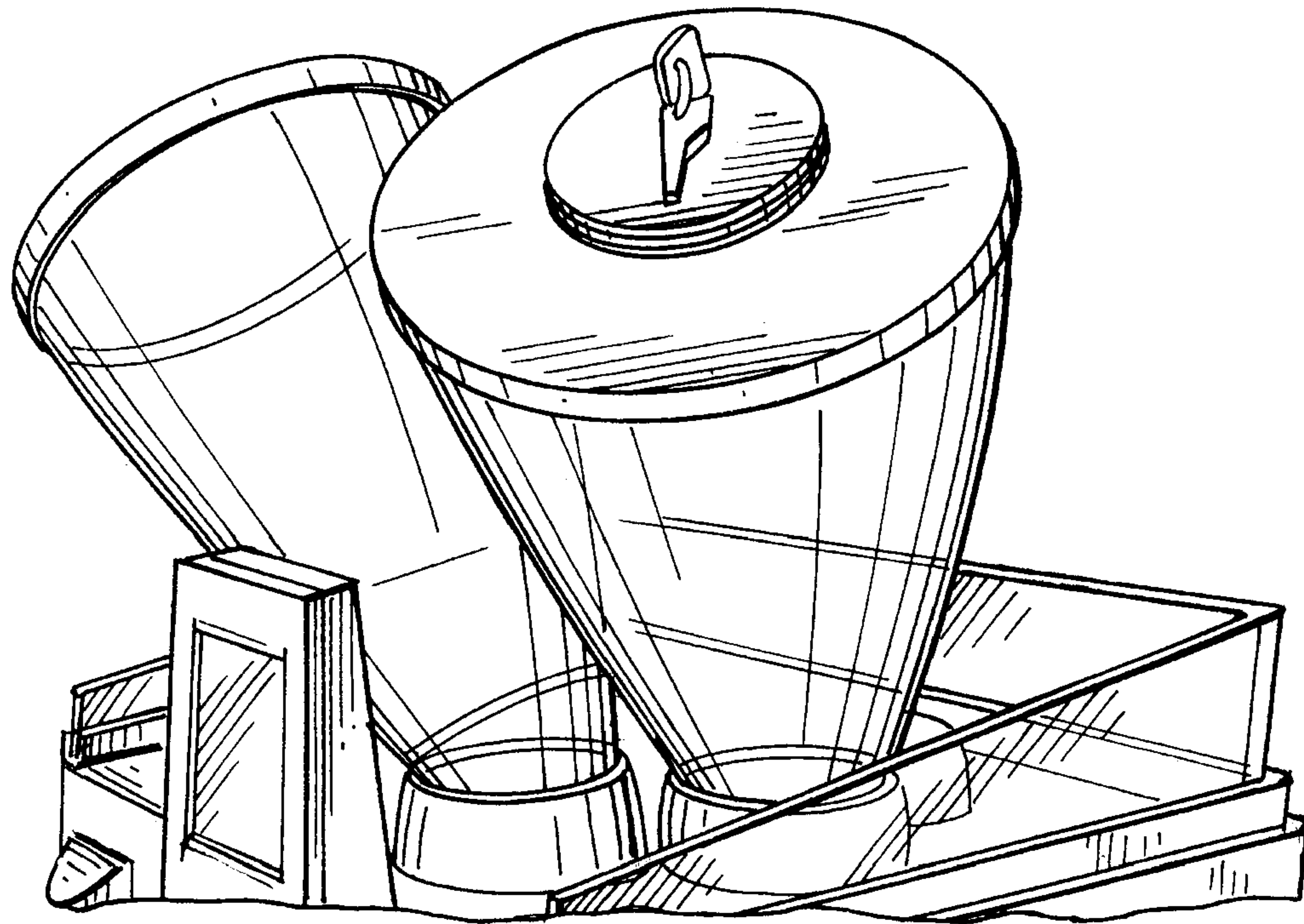


FIG. 10

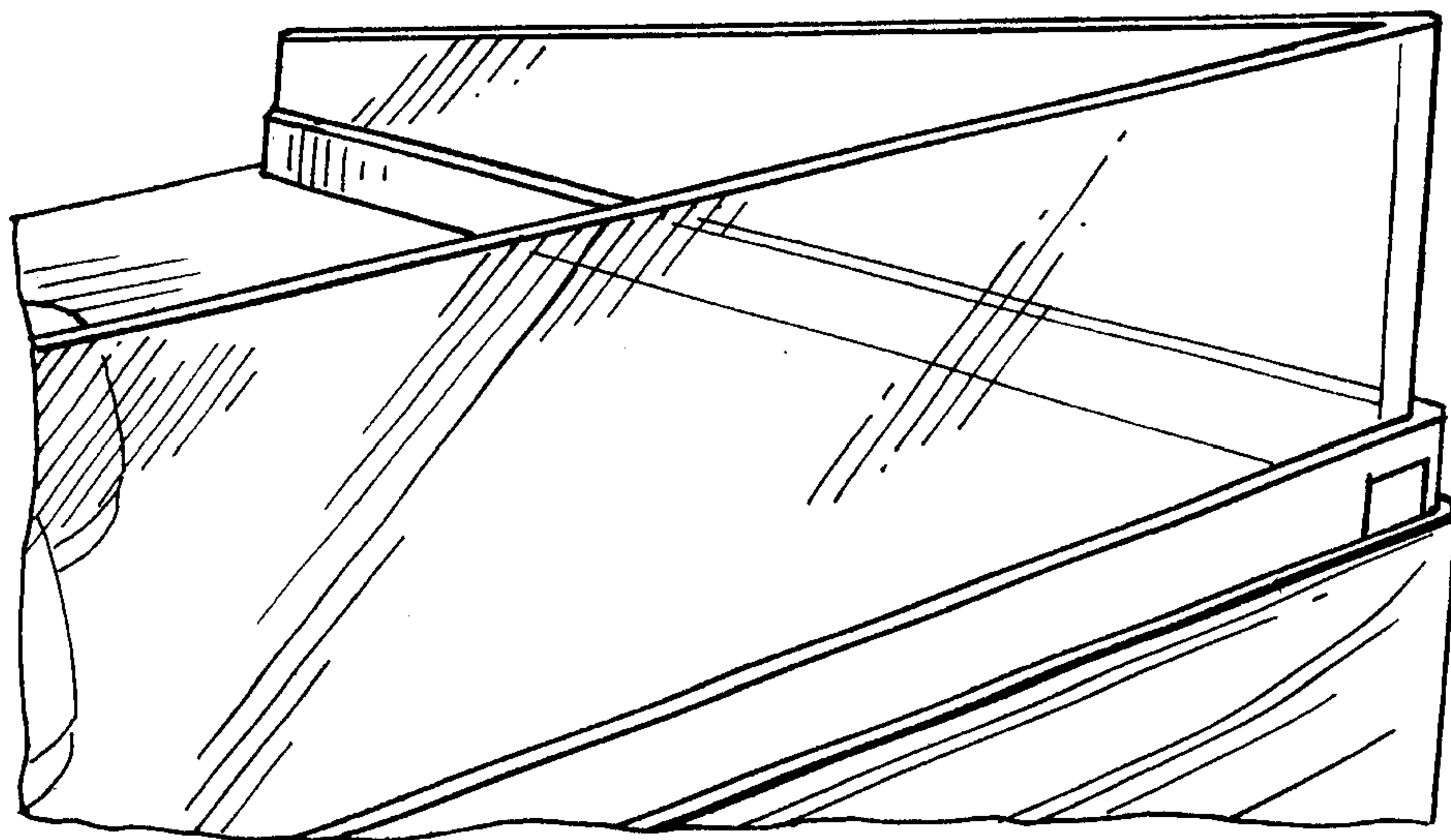


FIG. 11