

US00D505818S

(12) **United States Design Patent**
Berger

(10) **Patent No.: US D505,818 S**

(45) **Date of Patent: ** Jun. 7, 2005**

- (54) **PACKAGE OF DISPOSABLE BAG DISPENSERS**
- (75) Inventor: **Russell Berger**, Needham, MA (US)
- (73) Assignee: **Constance F. Berger**, Naples, FL (US)
- (**) Term: **14 Years**
- (21) Appl. No.: **29/213,504**
- (22) Filed: **Sep. 20, 2004**

- D452,094 S * 12/2001 Akin D6/515
- D462,860 S * 9/2002 Orlando D6/518
- D467,106 S * 12/2002 Bohay D6/523
- D480,901 S * 10/2003 Millington D6/518
- D482,915 S * 12/2003 Yang et al. D6/515
- D495,544 S * 9/2004 Tan D6/515

* cited by examiner

Primary Examiner—Brian N Vinson

(74) *Attorney, Agent, or Firm*—Barlow, Josephs & Holmes, Ltd.

Related U.S. Application Data

- (62) Division of application No. 29/201,896, filed on Mar. 23, 2004.
- (51) **LOC (8) Cl.** **20-02**
- (52) **U.S. Cl.** **D6/515**
- (58) **Field of Search** D6/515–523; 206/389, 206/391; 211/13.1; 221/173, 282; 242/570, 590, 588.1, 598, 588.6; 312/34.1, 34.8

(57) **CLAIM**

The ornamental design for a package of disposable bag dispensers, as shown and described.

DESCRIPTION

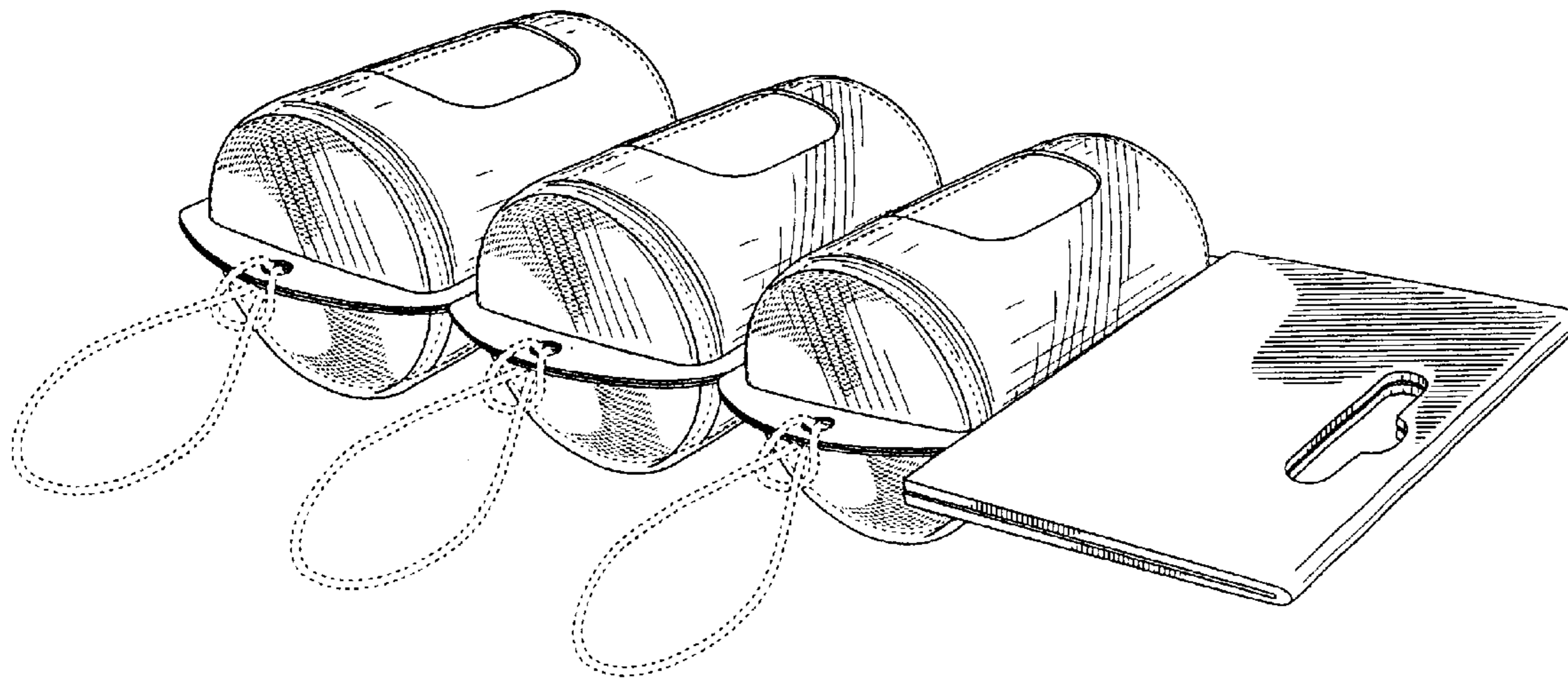
FIG. 1 is a perspective view of a package of disposable bag dispensers; the broken lines being of attachment straps and disposable bags which form no part of the invention;
 FIG. 2 is a top view thereof;
 FIG. 3 is a bottom view thereof;
 FIG. 4 is a right side elevational view thereof;
 FIG. 5 is a left side elevational view thereof;
 FIG. 6 is a front elevational view thereof; and,
 FIG. 7 is a rear elevational view thereof.

(56) **References Cited**

U.S. PATENT DOCUMENTS

- D392,482 S * 3/1998 Seenath D6/515
- D422,818 S * 4/2000 Fletcher D6/518
- D437,167 S * 2/2001 Hardaway D6/570

1 Claim, 7 Drawing Sheets



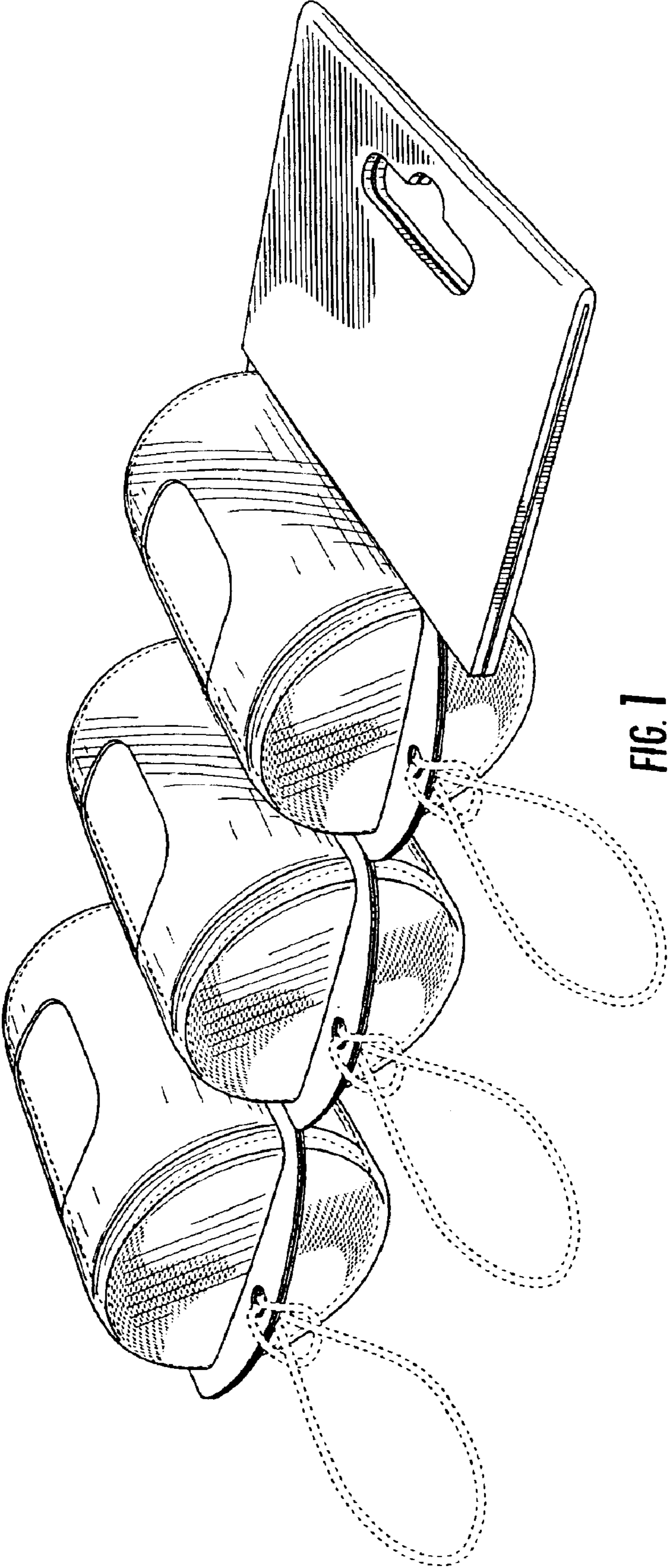
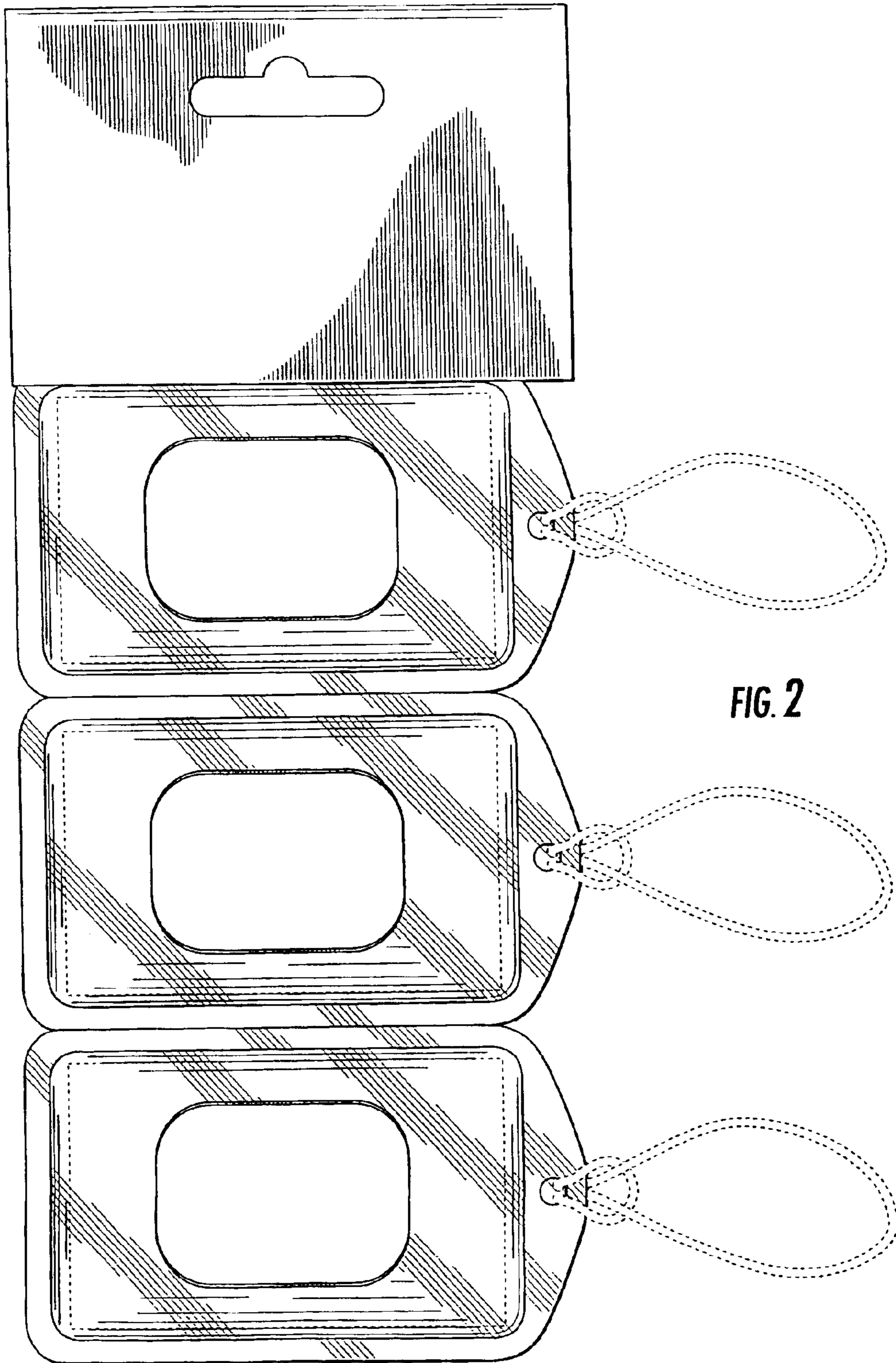
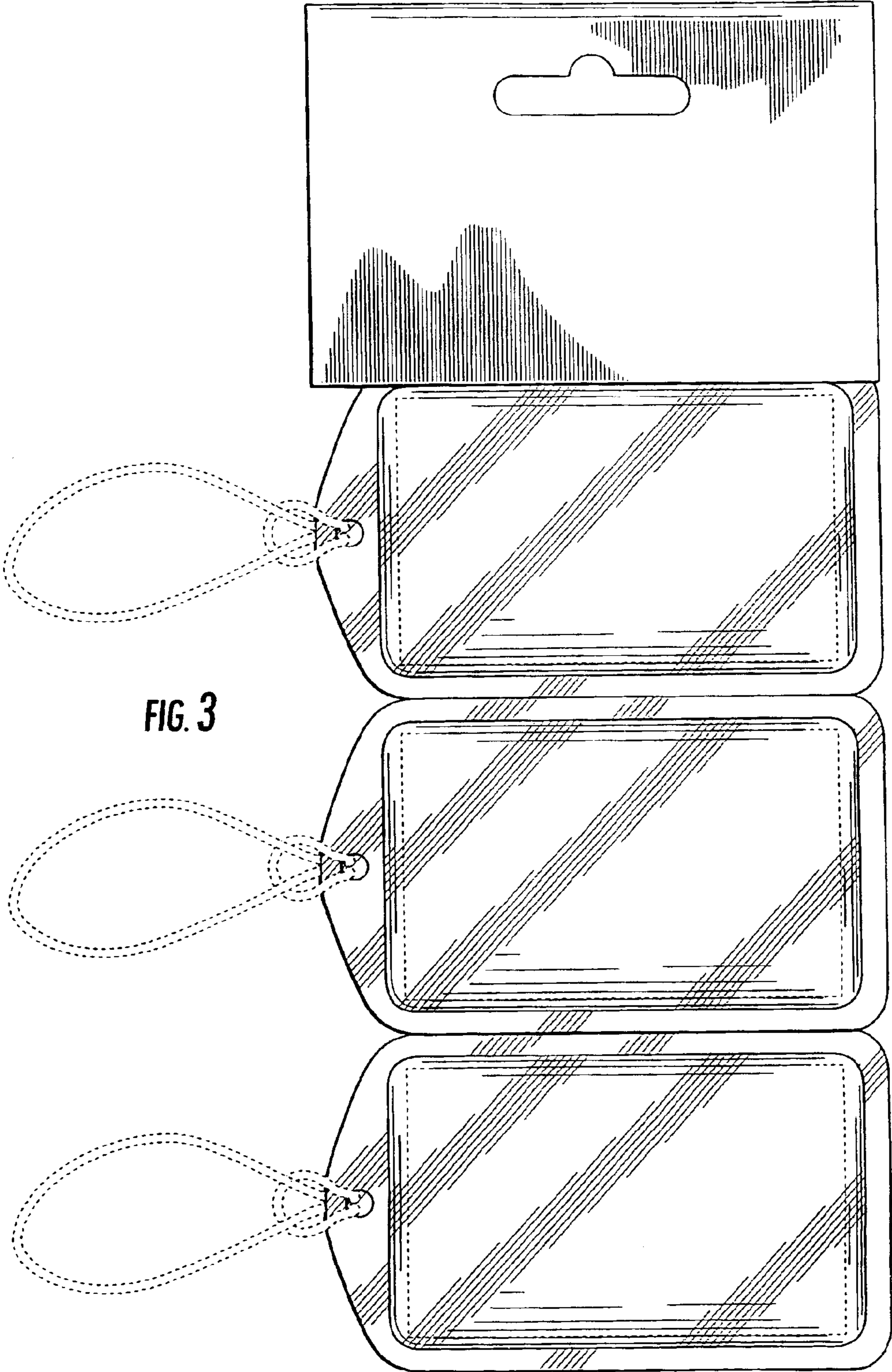


FIG. 1





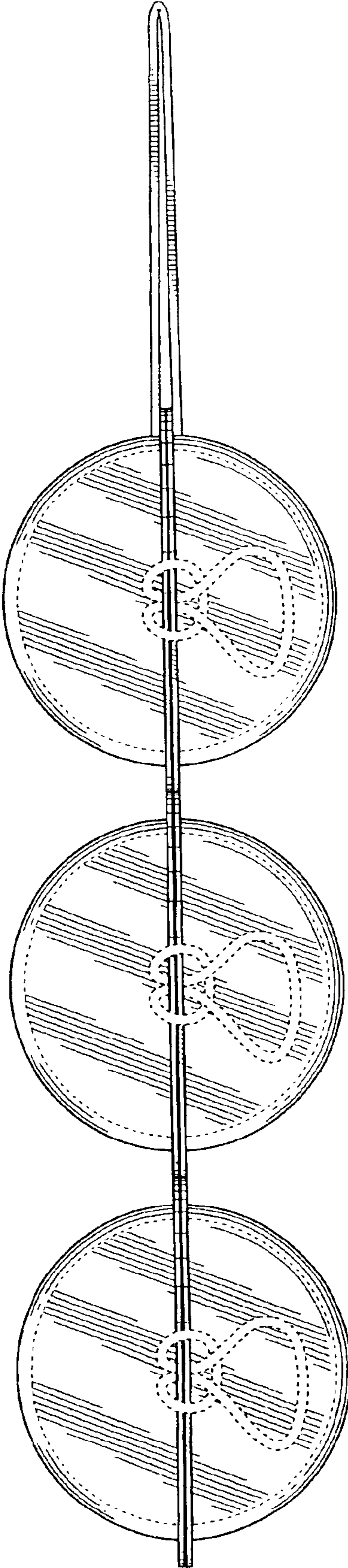


FIG. 4

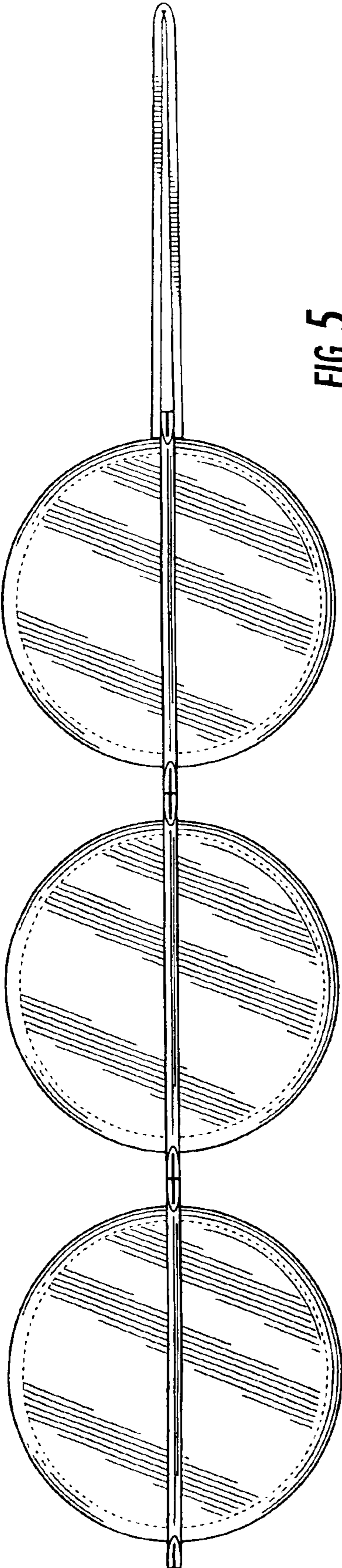


FIG. 5

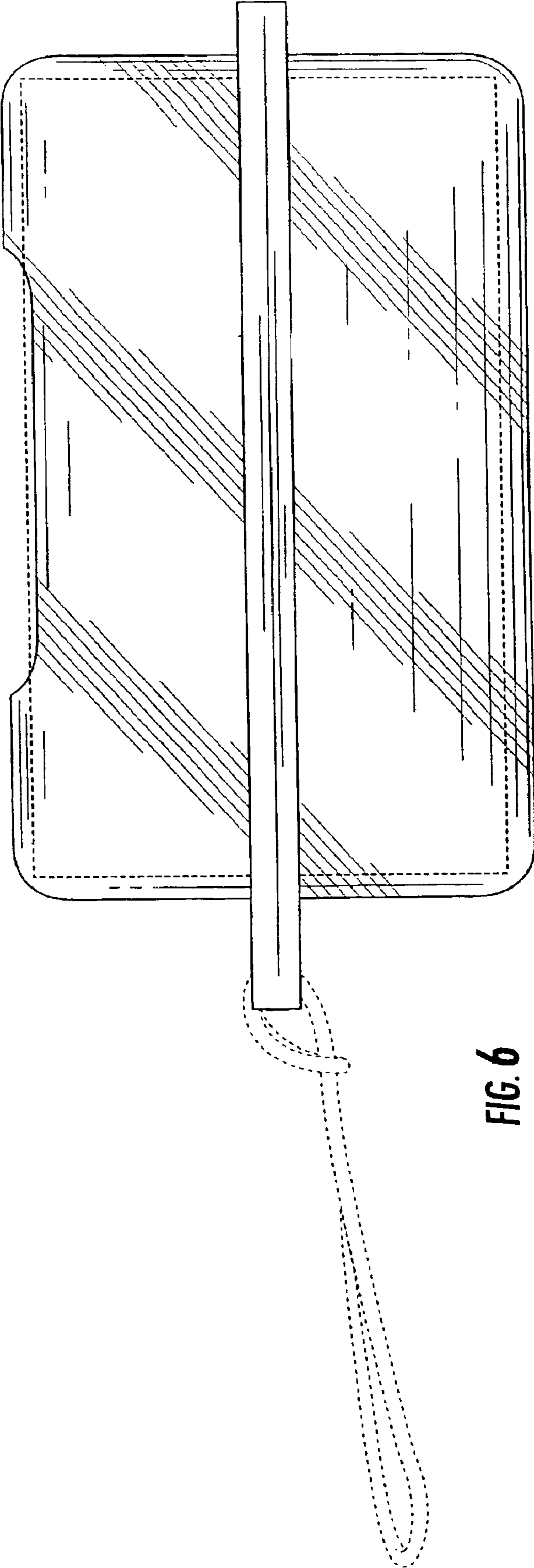


FIG. 6

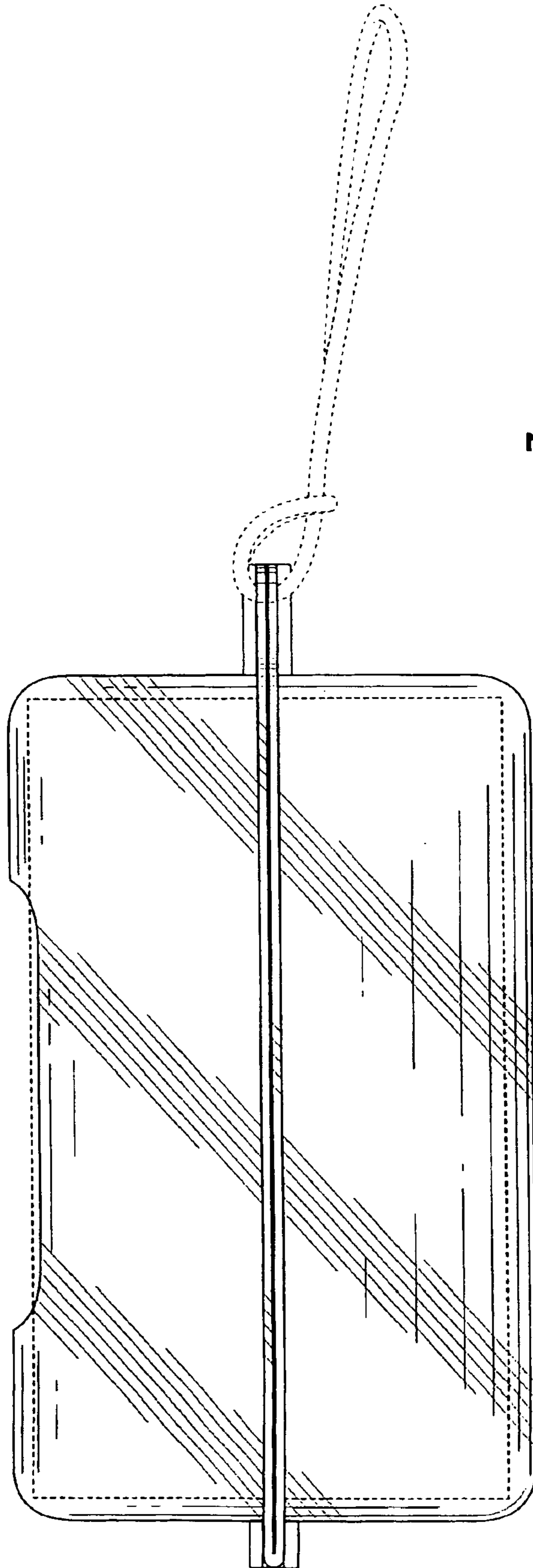


FIG. 7