

US00D505817S

(12) **United States Design Patent**  
**Jackson**

(10) **Patent No.:** **US D505,817 S**

(45) **Date of Patent:** **\*\* Jun. 7, 2005**

(54) **DRAWER**

D439,085 S \* 3/2001 Quinn ..... D6/510  
D455,921 S \* 4/2002 Quinn ..... D6/510

(75) **Inventor:** **Steven Jackson, Ontario (CA)**

\* cited by examiner

(73) **Assignee:** **Royal Alliance Inc., Woodbridge (CA)**

*Primary Examiner*—Cathron Brooks

(\*\*) **Term:** **14 Years**

(57) **CLAIM**

(21) **Appl. No.:** **29/197,999**

An ornamental design for a drawer, as shown and described.

(22) **Filed:** **Jan. 26, 2004**

**DESCRIPTION**

(51) **LOC (8) Cl.** ..... **06-06**

(52) **U.S. Cl.** ..... **D6/510**

(58) **Field of Search** ..... D6/510, 511, 475;  
D3/304; D19/92; 312/194-196, 330.1

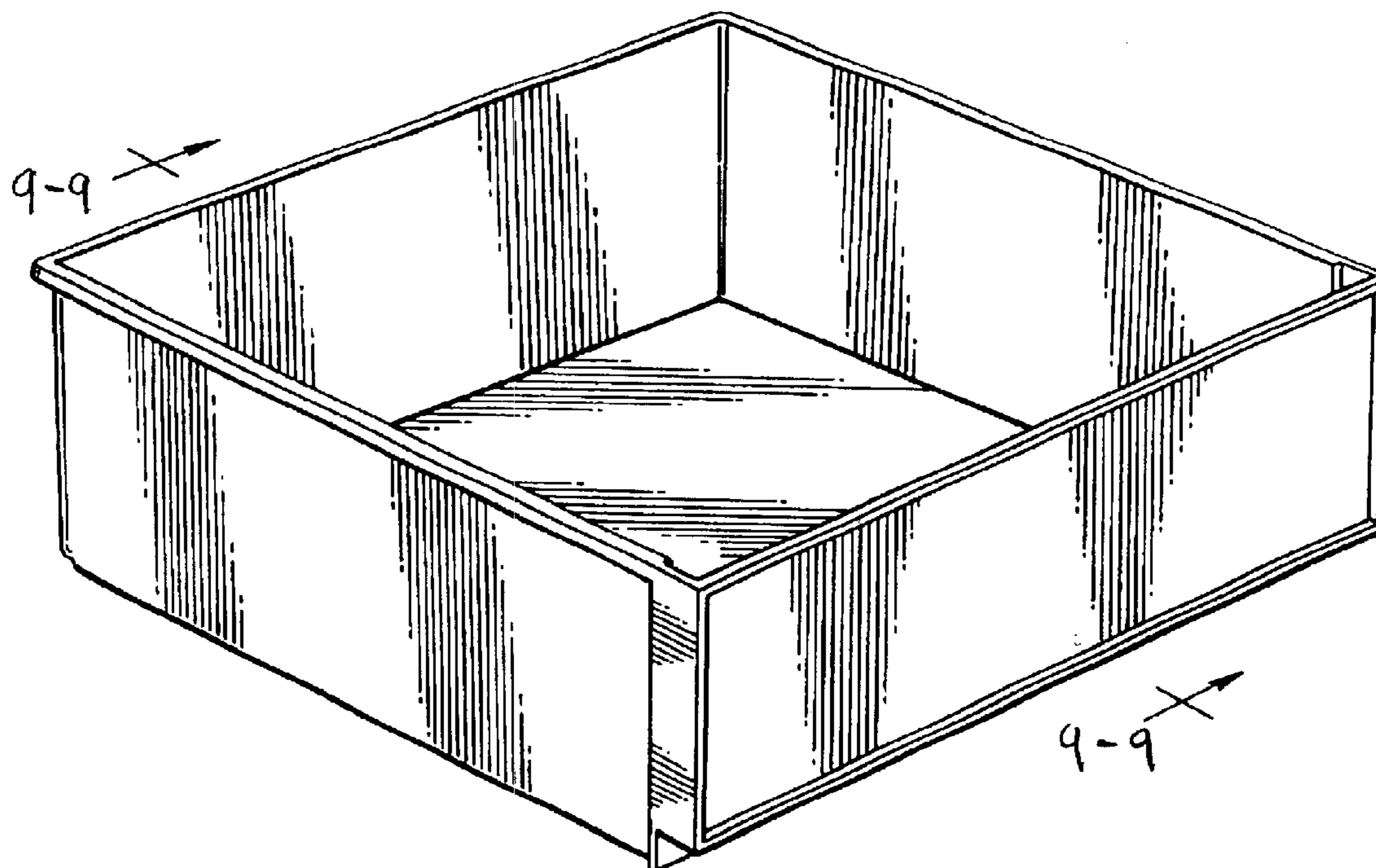
FIG. 1 is a top perspective view of the drawer;  
FIG. 2 is a bottom perspective view of the drawer of FIG. 1;  
FIGS. 3 and 4 are top and front views respectively of the drawer of FIG. 1;  
FIGS. 5 and 6 are opposite side views of the drawer of FIG. 1;  
FIGS. 7 and 8 are rear and bottom views of the drawer of FIG. 1;  
FIG. 9 is a sectional view along the lines 9-9 of FIG. 1;  
and,  
FIGS. 10 and 11 show a variant of the drawer to which the design is applied.

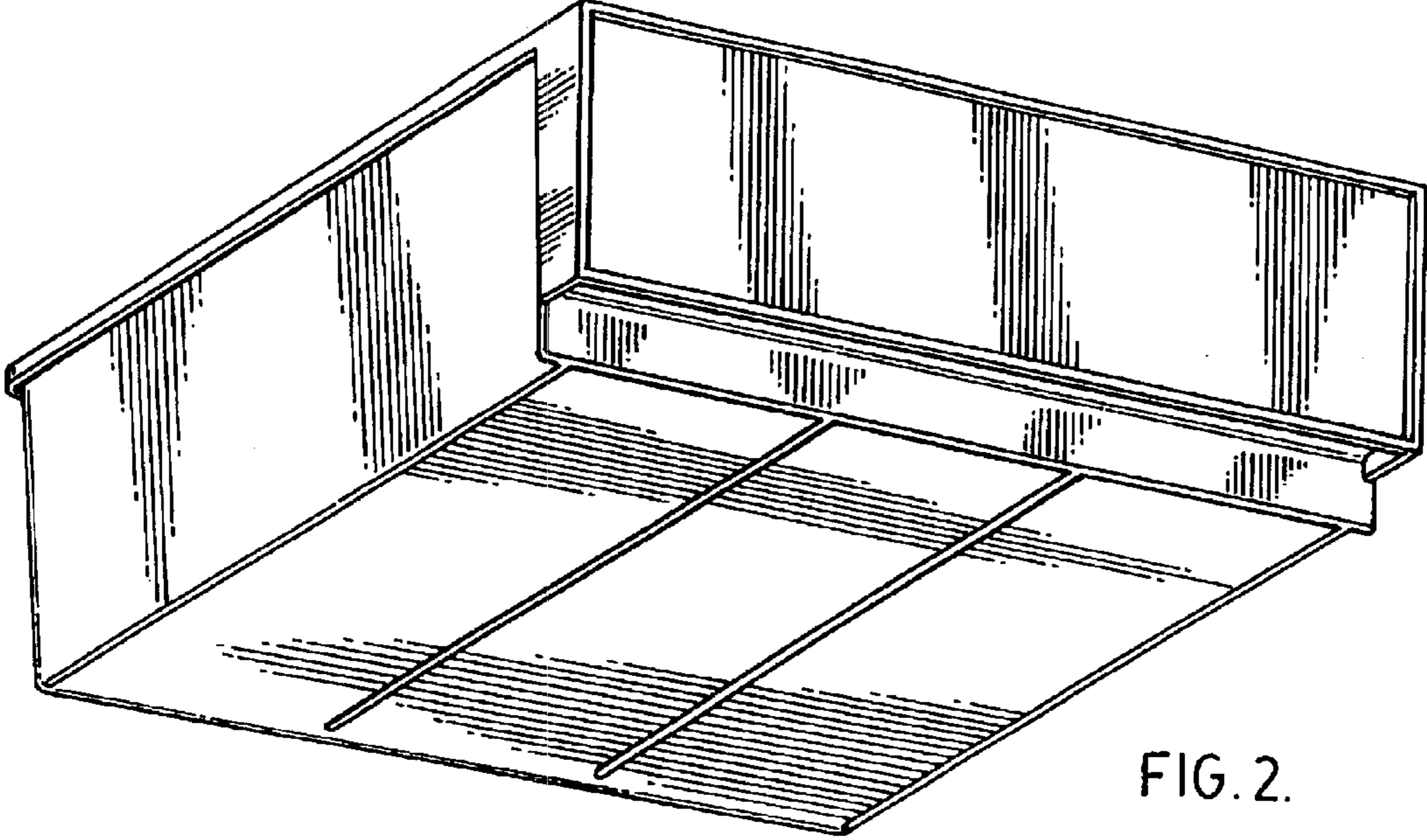
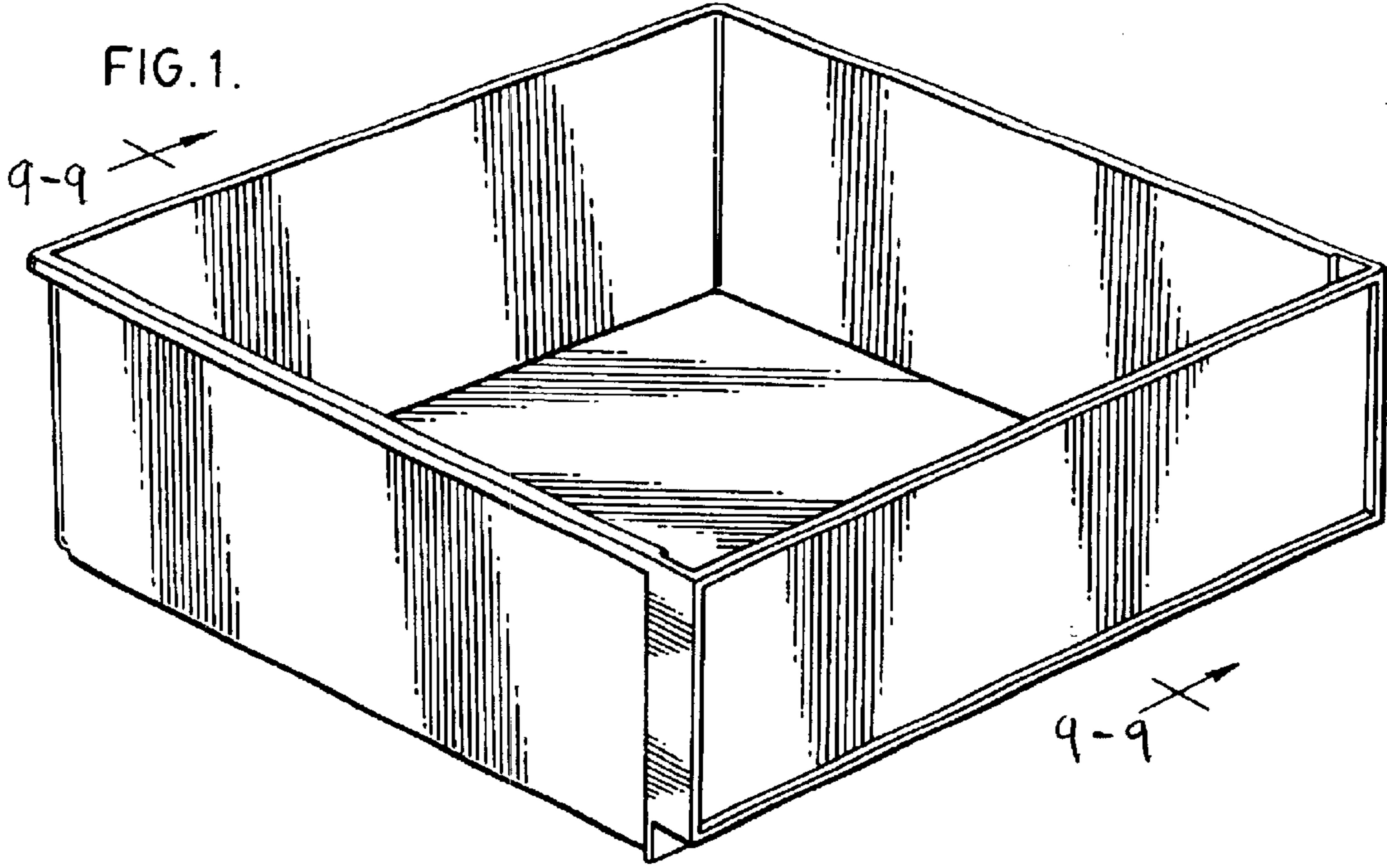
(56) **References Cited**

**U.S. PATENT DOCUMENTS**

- D224,730 S \* 9/1972 Probst et al. .... D6/510
- D235,956 S \* 7/1975 Noneman et al. .... D6/510
- D311,292 S \* 10/1990 Ennis, Jr. .... D6/510
- D351,079 S \* 10/1994 Brown ..... D6/510
- D377,569 S \* 1/1997 Coyer ..... D6/510
- D386,336 S \* 11/1997 Douglas ..... D6/510

**1 Claim, 6 Drawing Sheets**





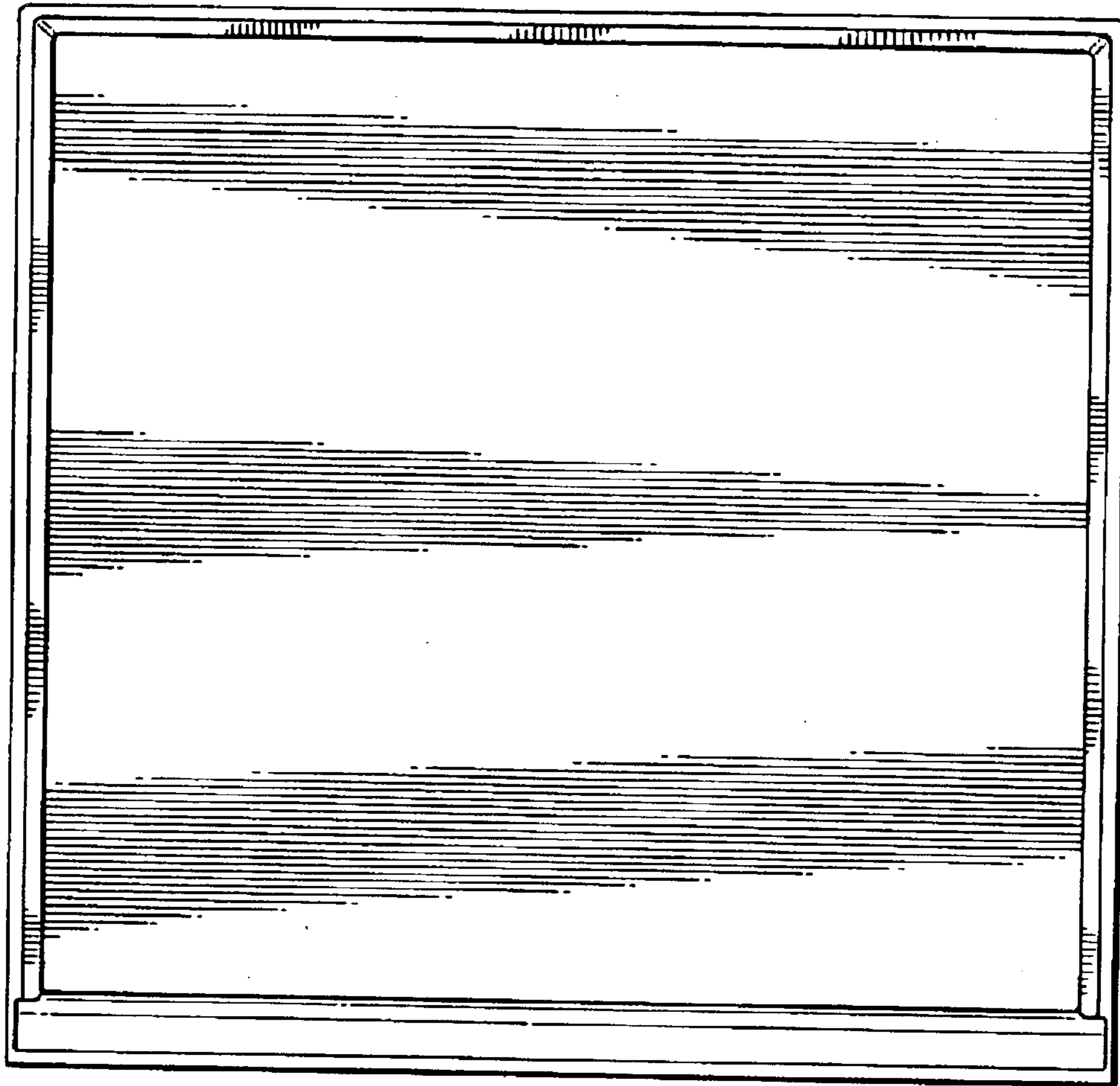


FIG. 3.

FIG. 4.

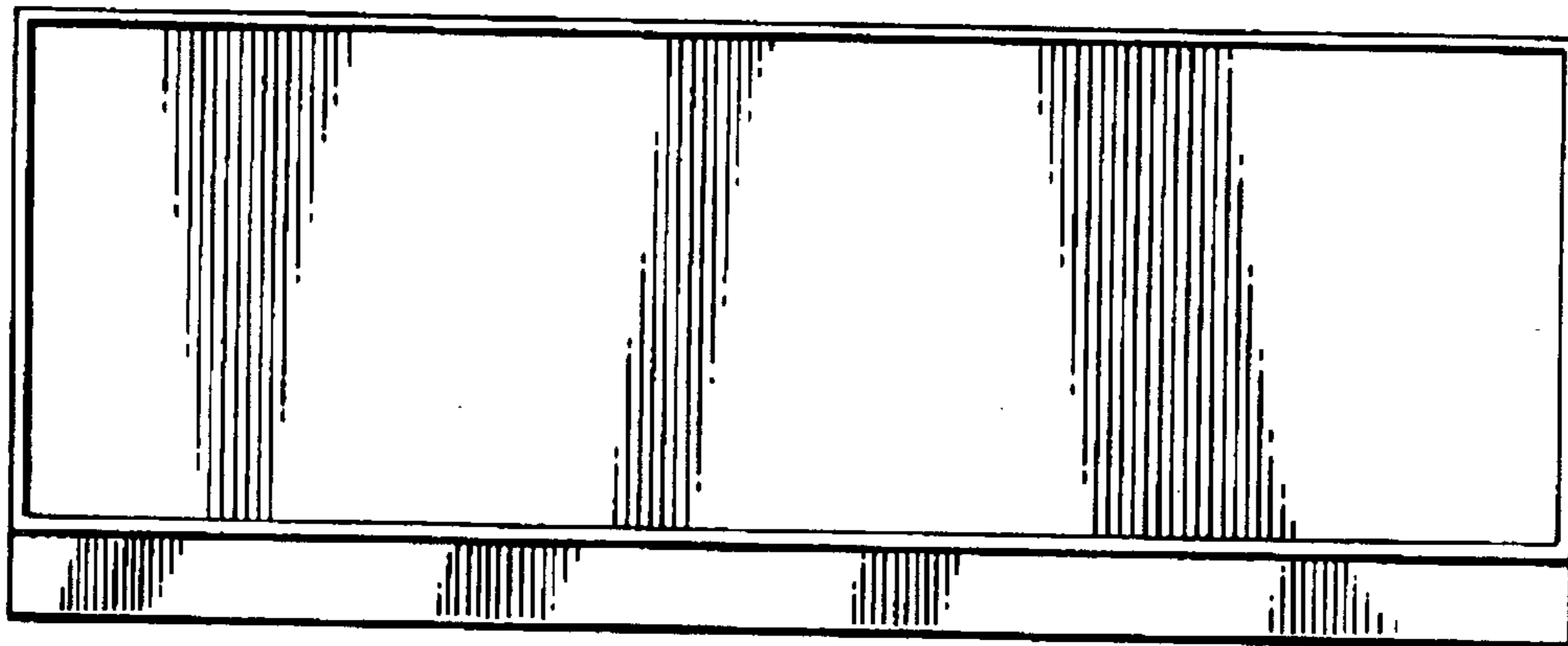


FIG. 5.

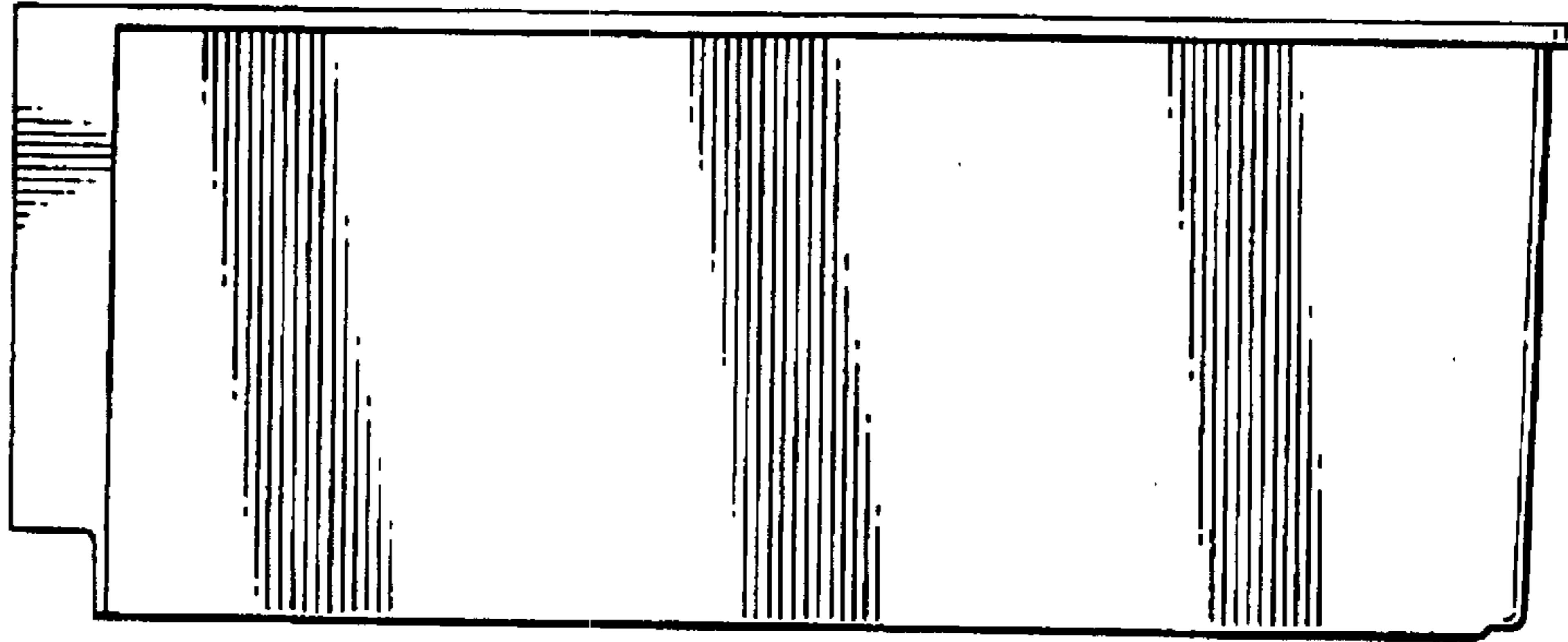


FIG. 6.

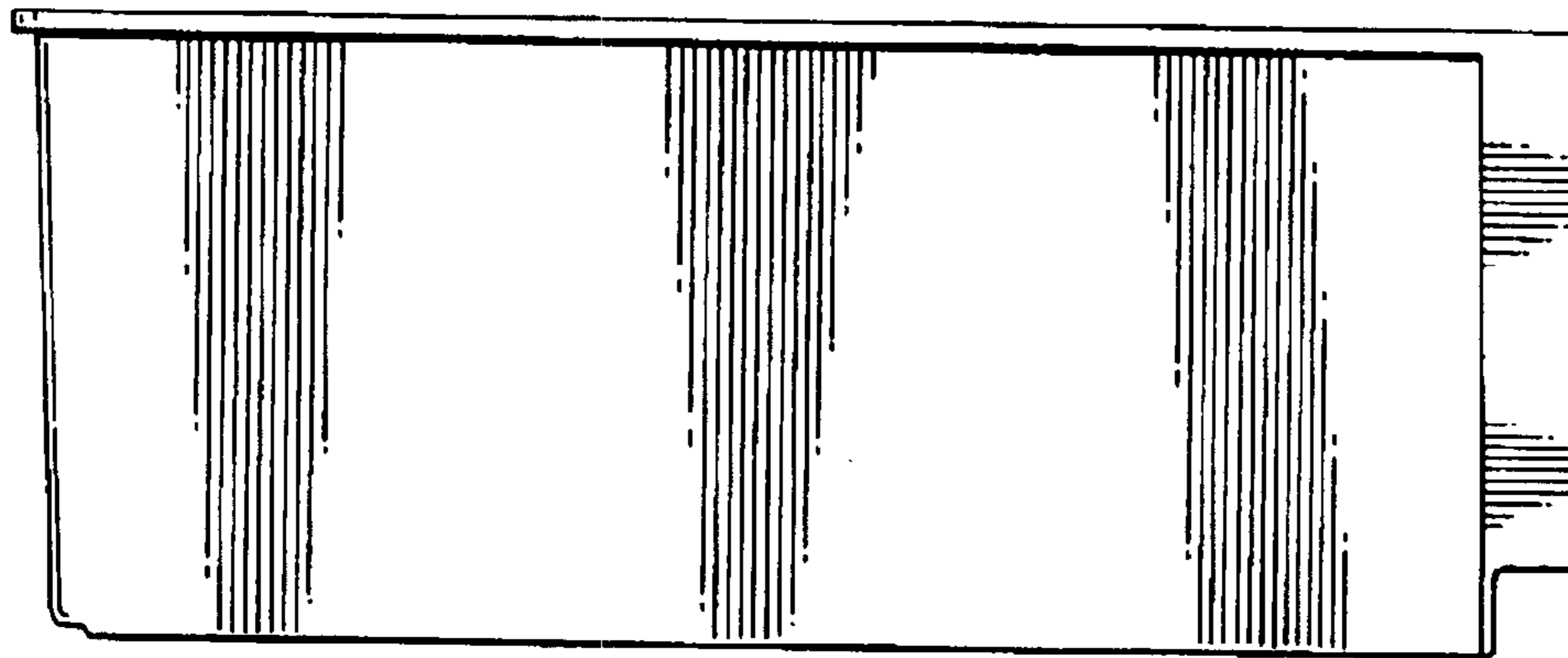
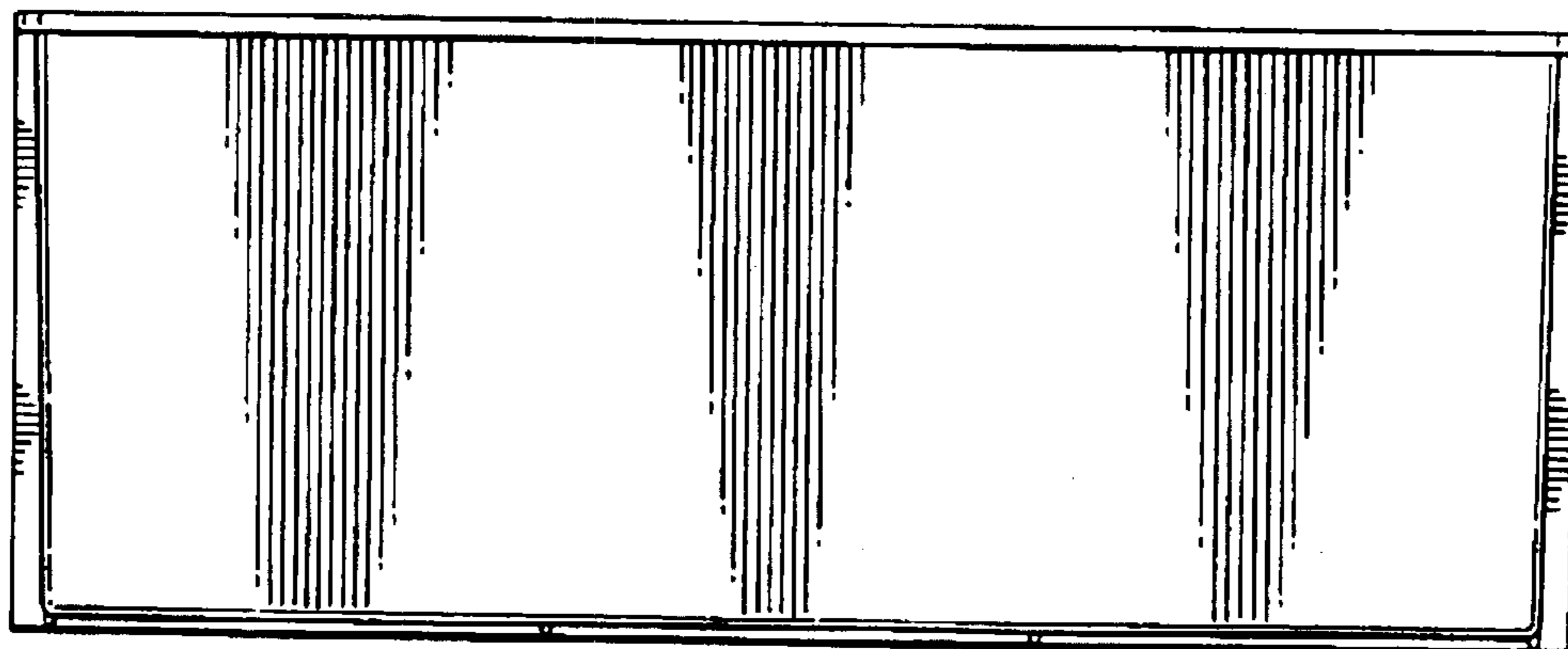


FIG. 7.



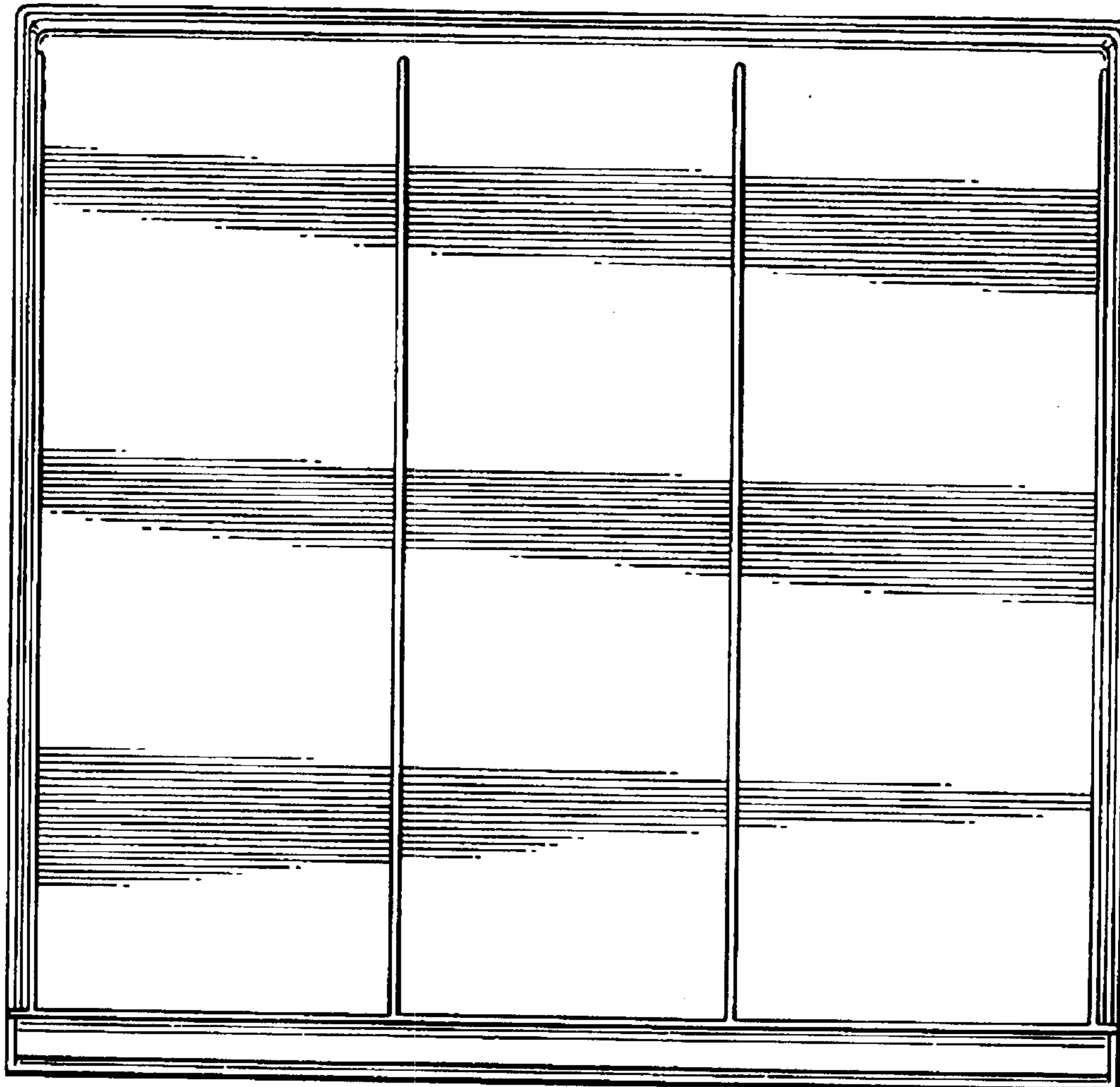


FIG. 8.

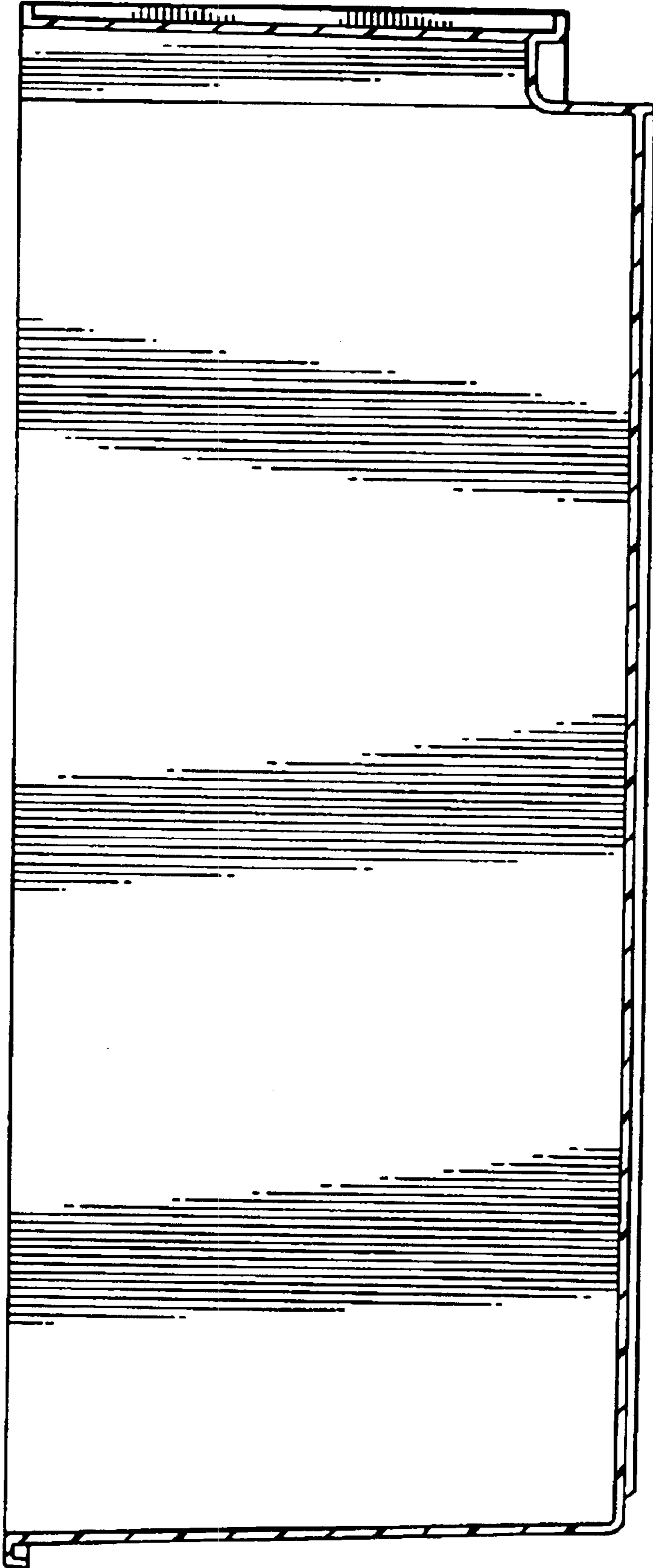


FIG. 9.

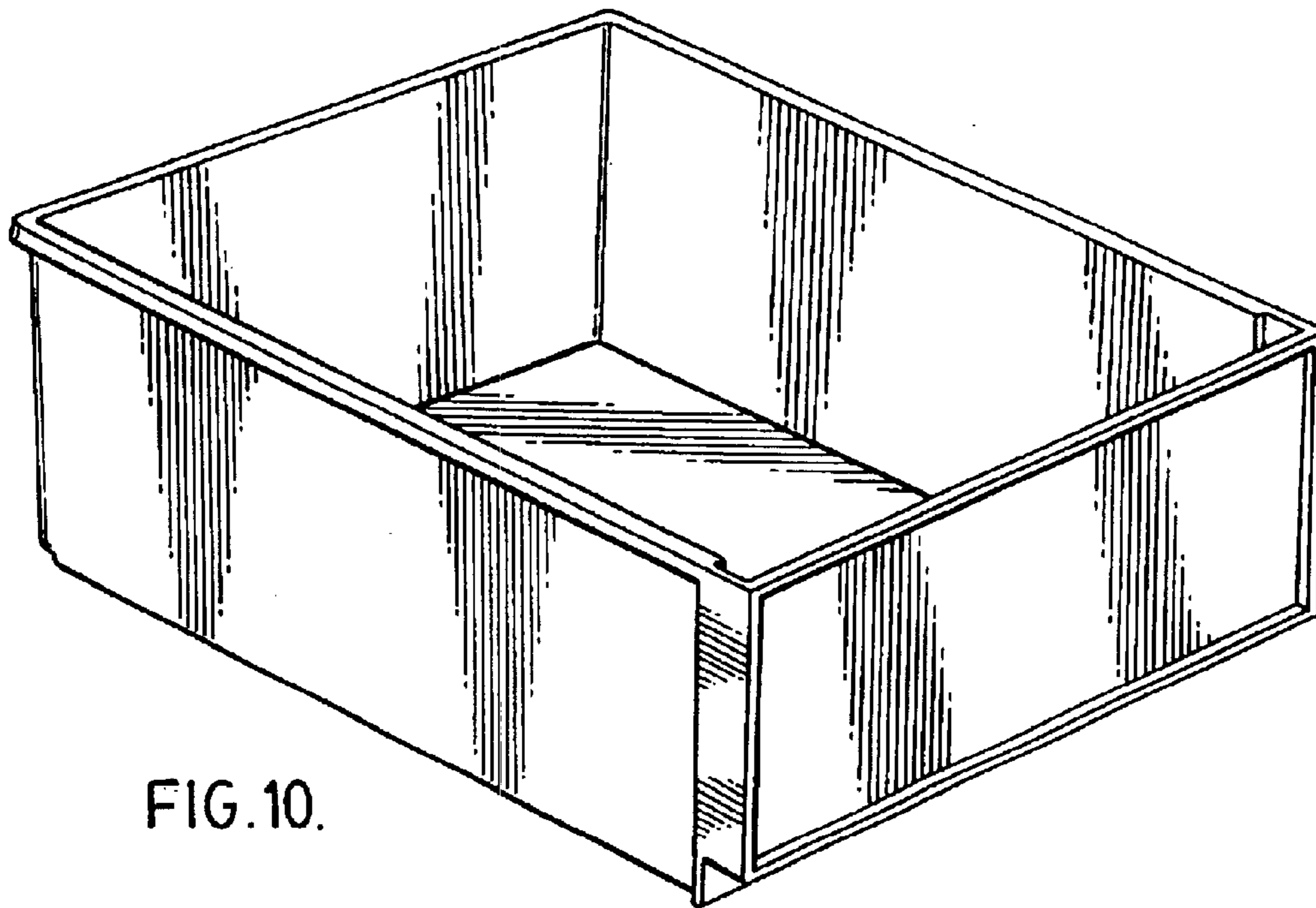


FIG. 10.

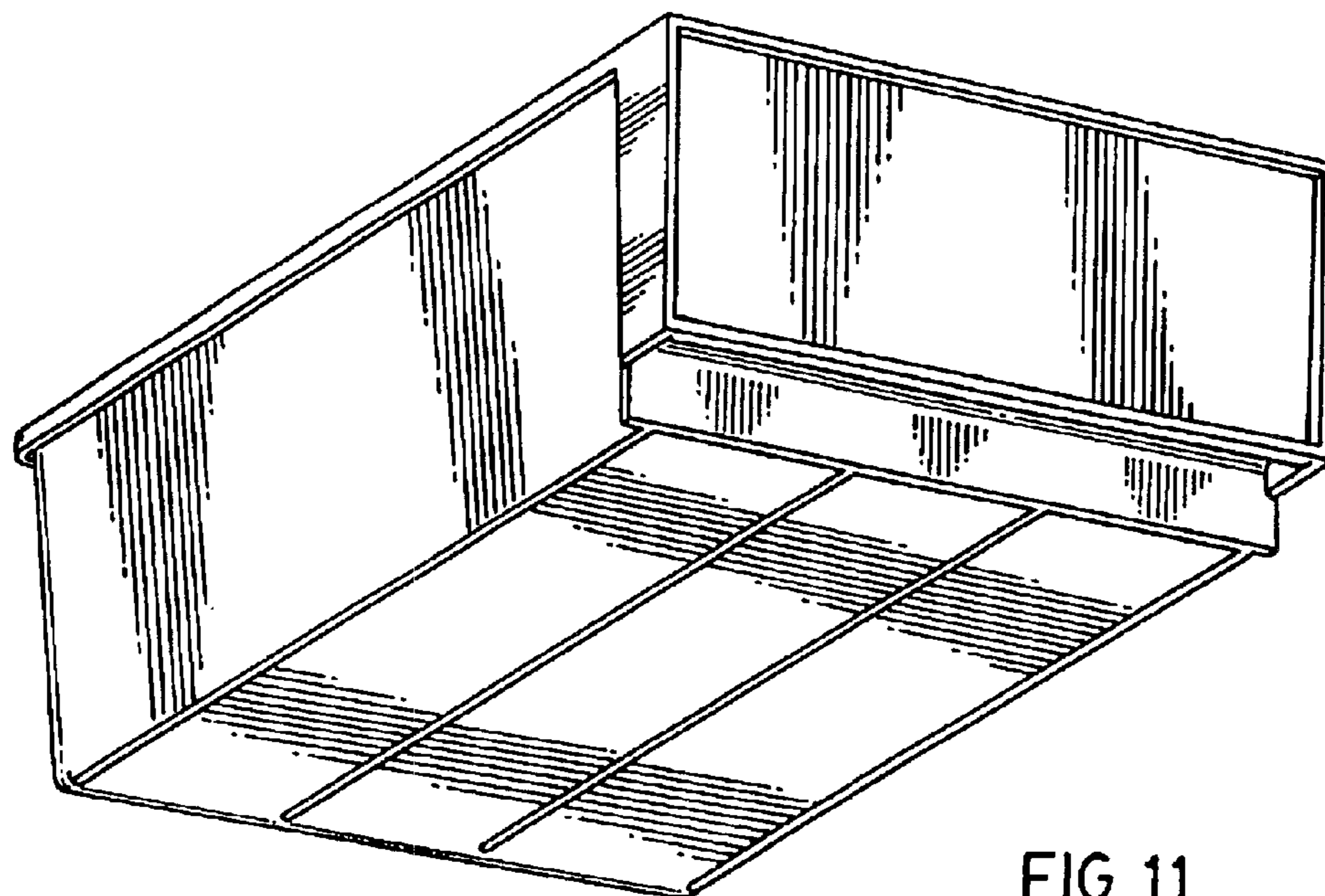


FIG. 11.