

US00D505812S

(12) **United States Design Patent**  
**McBrayer, Jr. et al.**

(10) **Patent No.: US D505,812 S**  
(45) **Date of Patent: \*\* Jun. 7, 2005**

(54) **COMBINED SQUARE TUBE TABLE LEG AND CHAIR PEDESTAL HAVING A SINGLE JOINT DESIGN**

(75) Inventors: **John H. McBrayer, Jr.**, New Braunfels, TX (US); **Michael A. Gittinger**, San Antonio, TX (US)

(73) Assignee: **KLN Steel Products Company, Ltd.**, San Antonio, TX (US)

(\*\*) Term: **14 Years**

(21) Appl. No.: **29/186,905**

(22) Filed: **Jul. 24, 2003**

(51) **LOC (8) Cl. .... 06-01**

(52) **U.S. Cl. .... D6/495**

(58) **Field of Search** ..... D6/495, 499, 491, D6/342, 500; 297/135, 136, 148, 153, 156-158, 170, 171, 174

(56) **References Cited**

**U.S. PATENT DOCUMENTS**

D177,207 S	3/1956	Beller	
D196,655 S	10/1963	Berry	
3,348,879 A	10/1967	Merola	
D209,758 S	1/1968	Blink et al.	
D268,971 S	5/1983	Reineman	
D282,608 S	2/1986	Crowe	
D310,451 S	* 9/1990	Webb	..... D6/337
D327,779 S	7/1992	Jensen et al.	
D338,119 S	8/1993	Merrick	

5,285,991 A	*	2/1994	Carlson	.....	248/311.2
D347,132 S		5/1994	Karl		
D347,133 S		5/1994	Karl		
D367,772 S	*	3/1996	Stirling et al.	.....	D6/337
D417,803 S	*	12/1999	Shilling et al.	.....	D6/499
D478,427 S	*	8/2003	Ford et al.	.....	D6/337
D480,239 S	*	10/2003	Risdall	.....	D6/495
D499,905 S	*	12/2004	Grosfillex	.....	D6/495

\* cited by examiner

*Primary Examiner*—Ruth McInroy

*Assistant Examiner*—Terrence Huang

(74) *Attorney, Agent, or Firm*—Jackson Walker LLP

(57) **CLAIM**

The ornamental design for a combined square tube table leg and chair pedestal having a single joint design, as shown and described.

**DESCRIPTION**

FIG. 1 is a perspective view of the combined square tube table leg and chair pedestal having a single joint design showing my new design;

FIG. 2 is a front elevation view thereof;

FIG. 3 is a top plan view thereof;

FIG. 4 is a right side elevation view thereof;

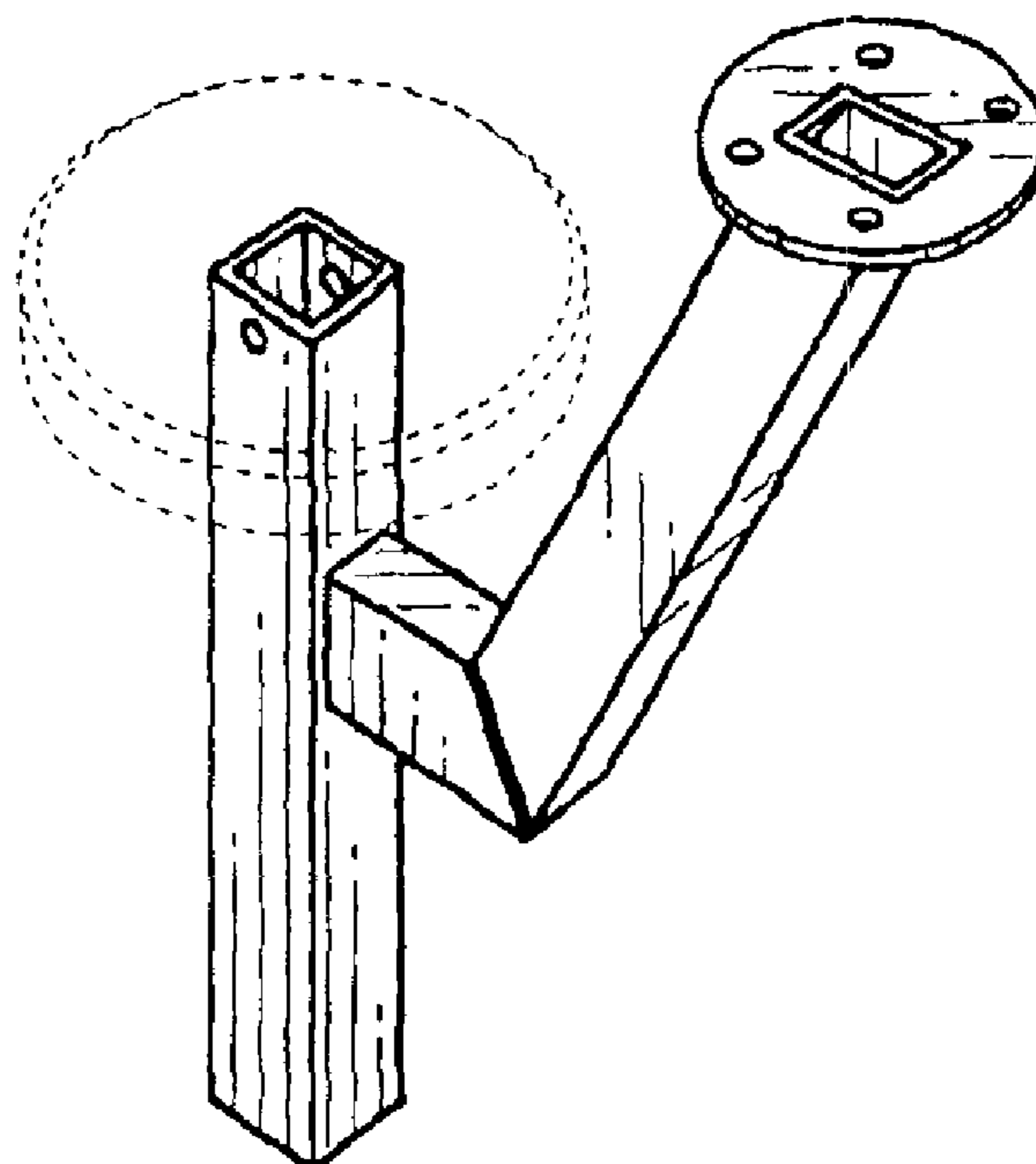
FIG. 5 is a left side elevation view thereof;

FIG. 6 is a rear elevation view thereof; and,

FIG. 7 is a bottom plan view thereof.

The broken lines in the figures are for environmental purposes only and form no part of the claimed design.

**1 Claim, 1 Drawing Sheet**



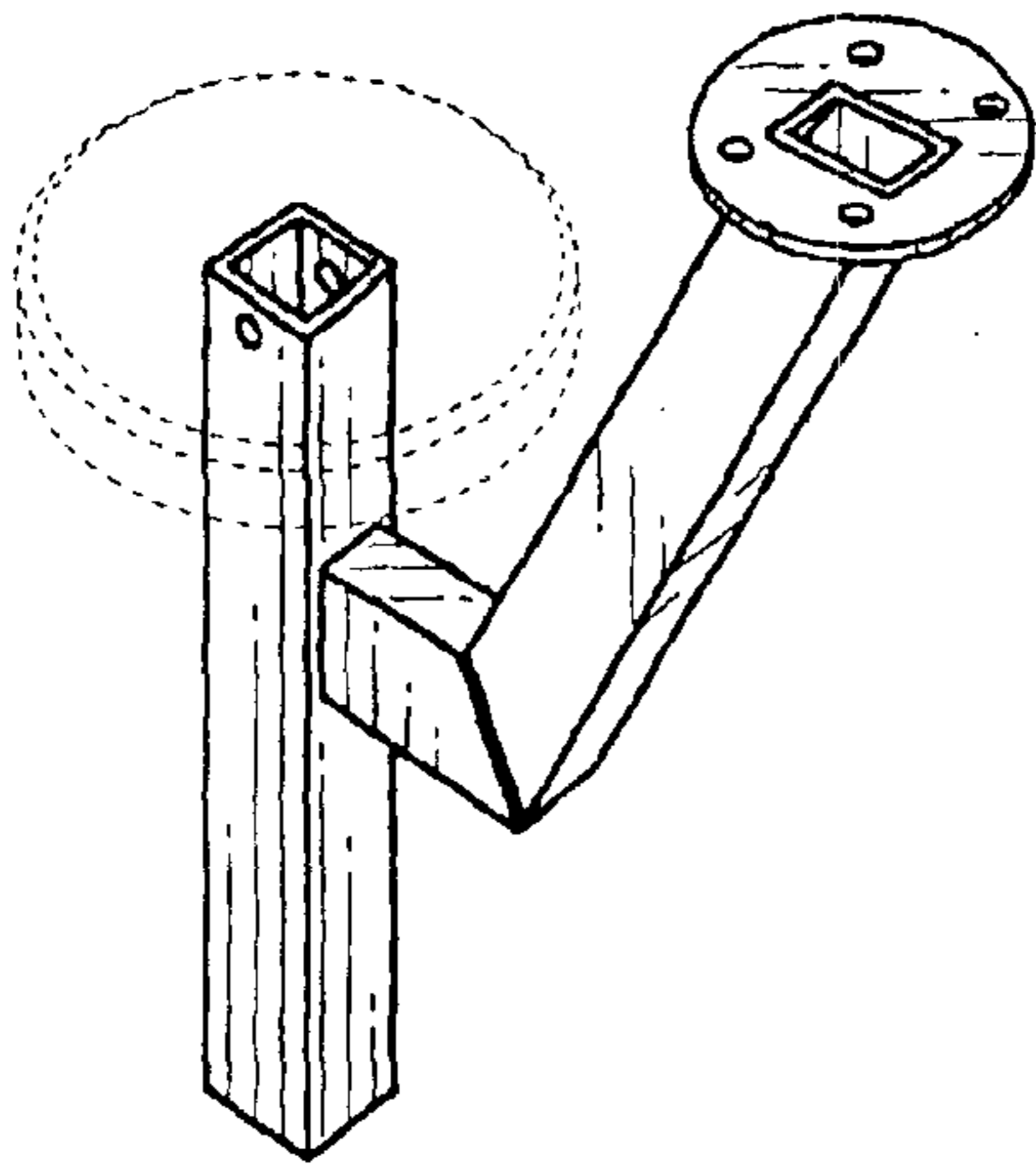


Fig. 1

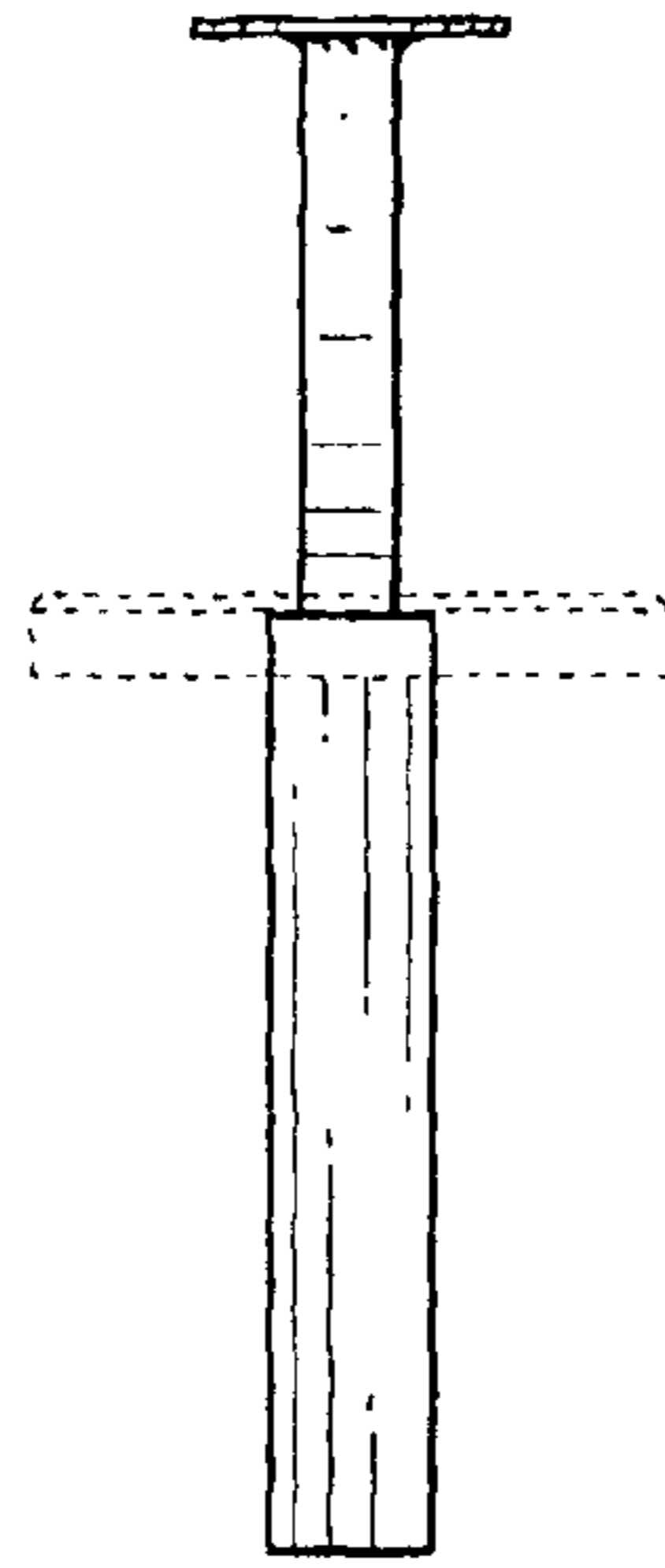


Fig. 2

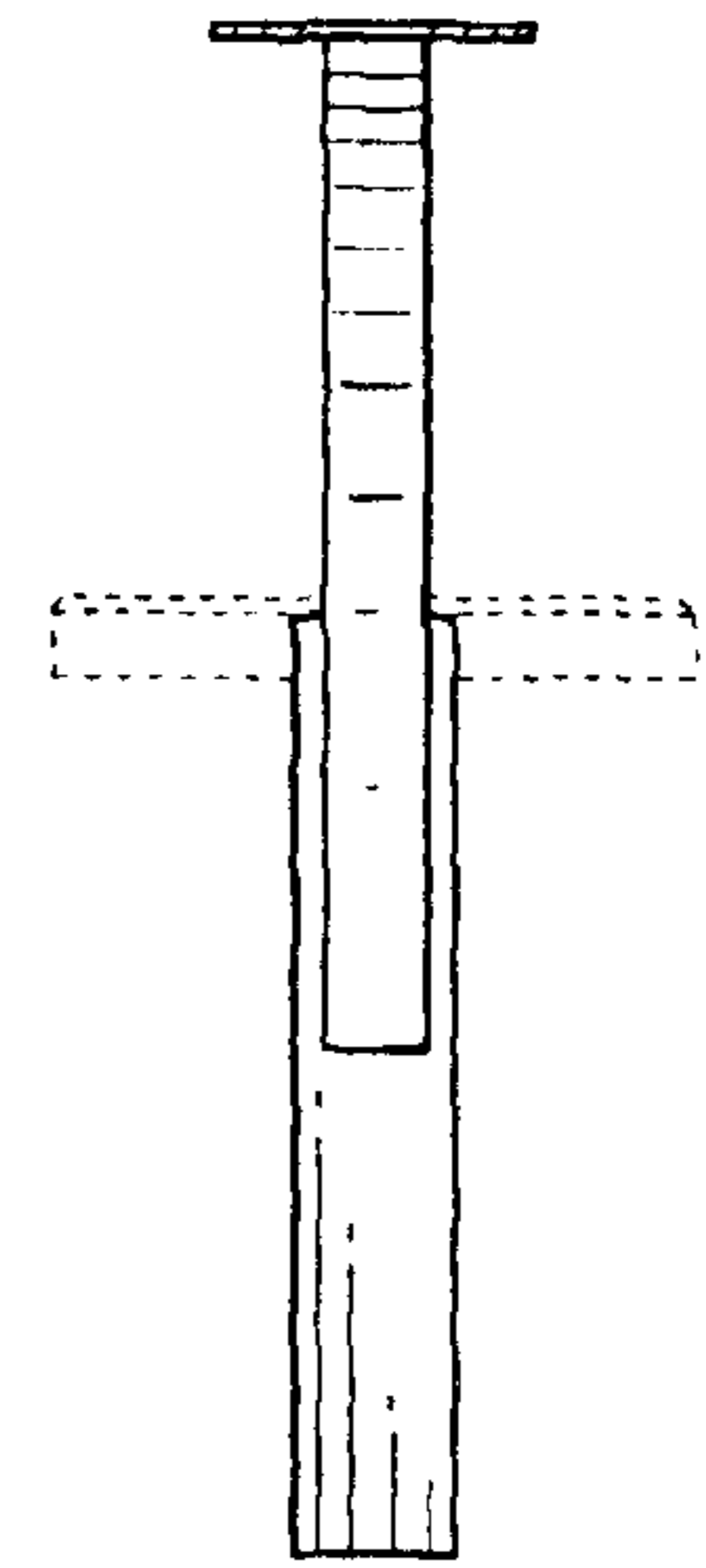


Fig. 6

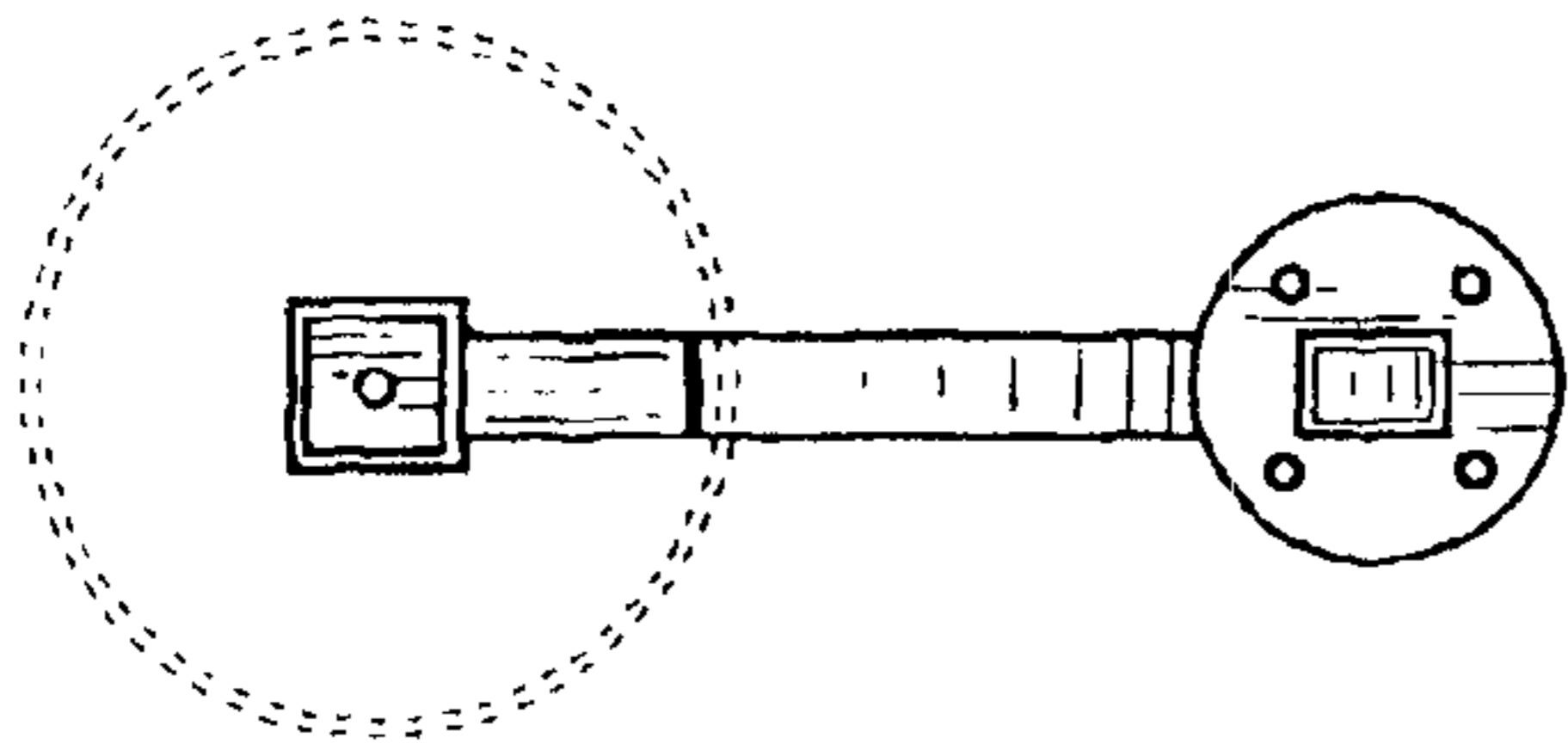


Fig. 3

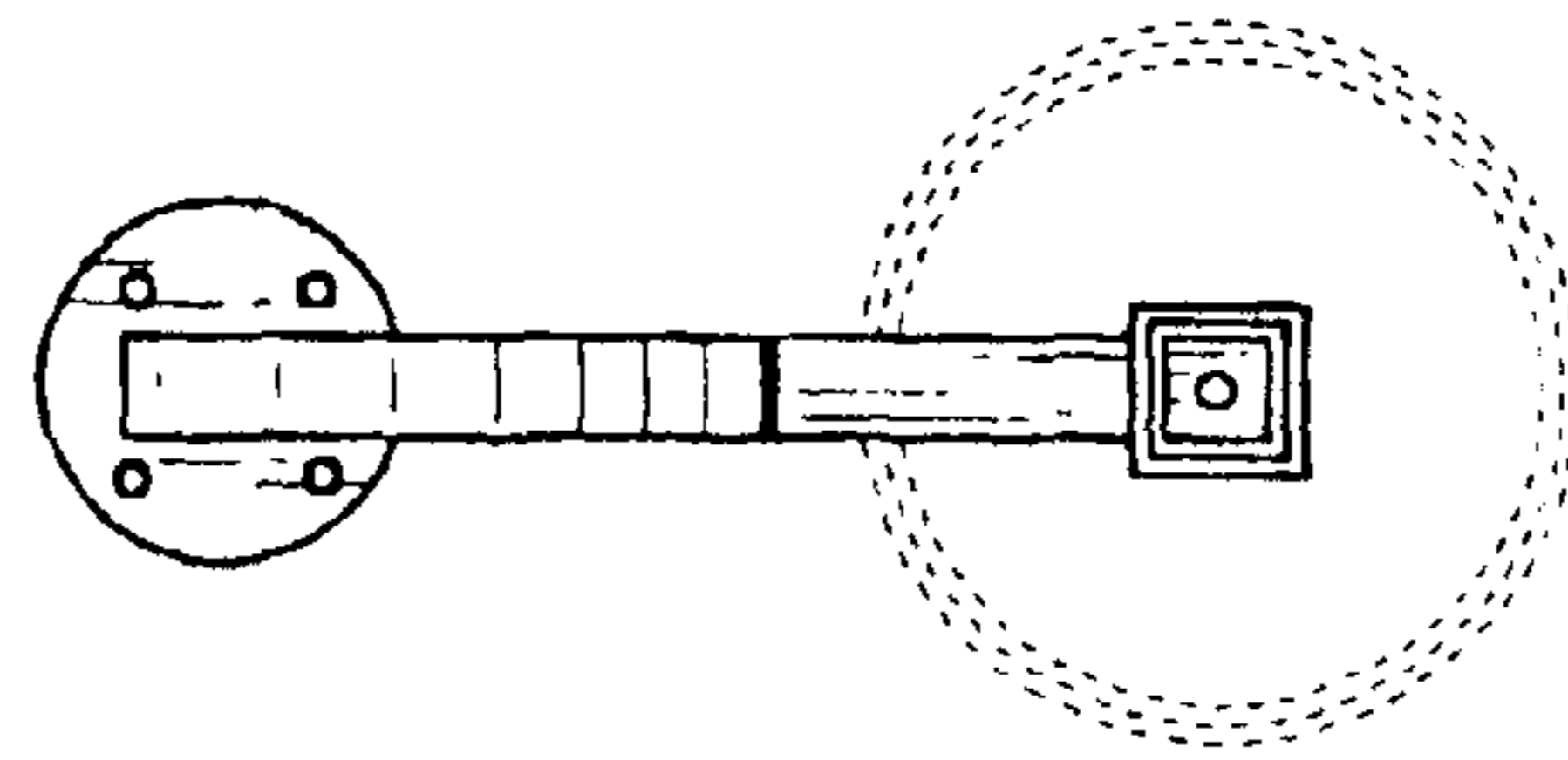


Fig. 7

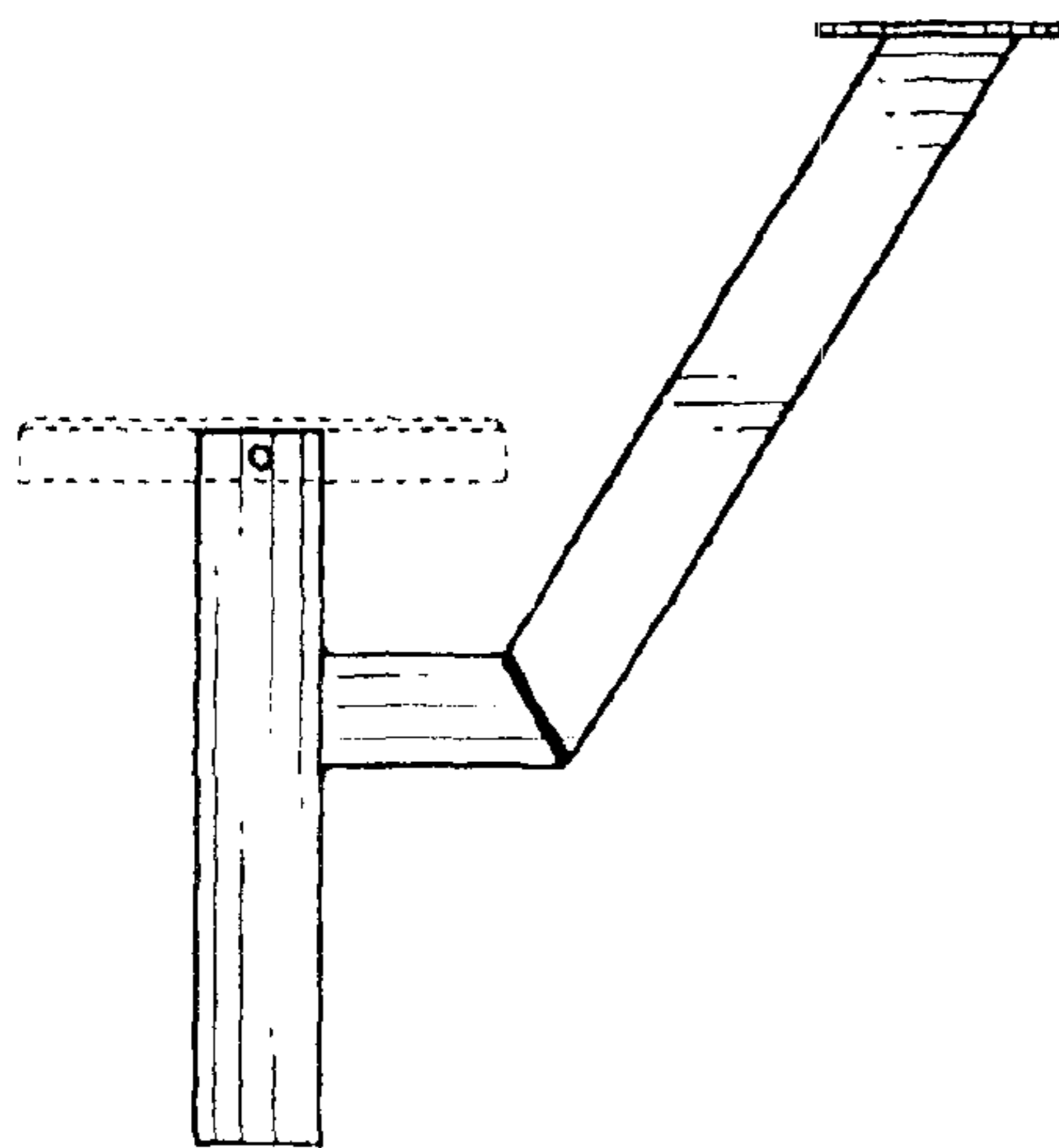


Fig. 4

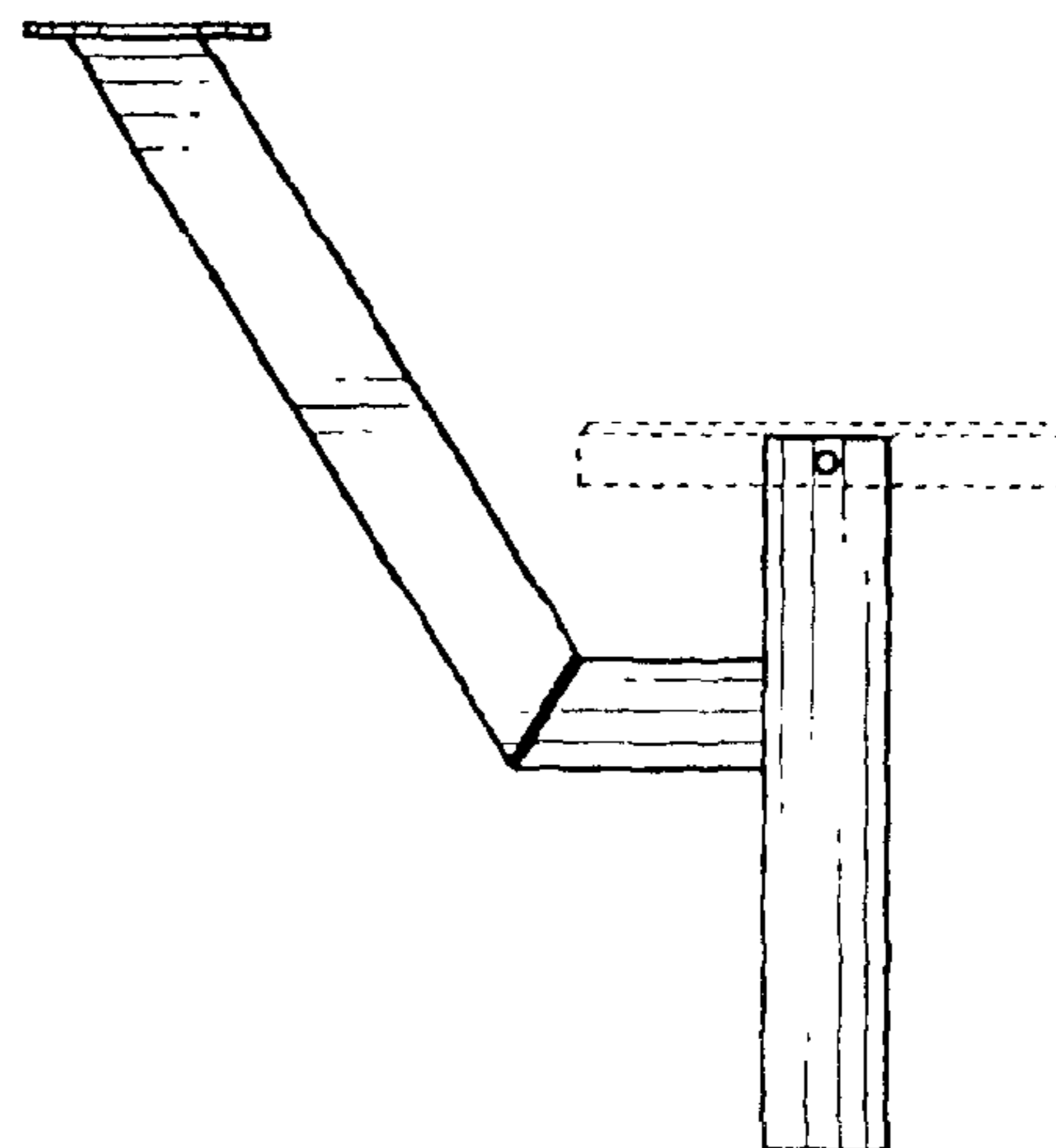


Fig. 5