

US00D505810S

(12) **United States Design Patent**  
**Henriott et al.**

(10) **Patent No.:** **US D505,810 S**  
(45) **Date of Patent:** **\*\* Jun. 7, 2005**

(54) **FURNITURE END DESIGN**  
(75) Inventors: **Jay M. Henriott**, Jasper, IN (US);  
**Donald Woods**, Celestine, IN (US)  
(73) Assignee: **Kimball International, Inc.**, Jasper, IN  
(US)  
(\*\*) Term: **14 Years**

3,159,423 A 12/1964 Gilbert  
D204,990 S \* 6/1966 Klein et al. .... D6/448  
D209,404 S 11/1967 Perlman  
D220,441 S \* 4/1971 Beavers ..... D6/422  
D228,431 S \* 9/1973 Sundberg ..... D6/422  
D274,681 S 7/1984 Gwathmey et al.  
D276,674 S 12/1984 Gwathmey et al.  
D323,944 S 2/1992 Maas  
D330,126 S 10/1992 O'Sullivan et al.  
D343,308 S 1/1994 Stephens  
5,547,270 A 8/1996 Dang  
D428,740 S 8/2000 Maly  
D446,664 S 8/2001 Petri

(21) Appl. No.: **29/196,162**  
(22) Filed: **Dec. 23, 2003**

(51) **LOC (8) Cl.** ..... **06-06**  
(52) **U.S. Cl.** ..... **D6/491; D6/480; D6/422**  
(58) **Field of Search** ..... D6/480-489, 511,  
D6/495-499, 429, 422, 491; 108/150, 153.1,  
155, 156, 157.1, 161; 248/188, 188.1, 188.8

\* cited by examiner

*Primary Examiner*—Janice E. Seeger  
(74) *Attorney, Agent, or Firm*—Baker & Daniels

(56) **References Cited**

**U.S. PATENT DOCUMENTS**

D110,907 S 8/1938 Patz  
2,191,290 A 2/1940 Richardson et al.  
D134,717 S 1/1943 Braun  
2,527,603 A 10/1950 Wallace  
D162,927 S 4/1951 Bloom  
D164,075 S \* 7/1951 Wallace ..... D6/480  
D176,412 S 12/1955 Herrmann  
D187,595 S \* 4/1960 Anderson ..... D6/483  
D192,864 S 5/1962 Parker et al.  
D193,858 S 10/1962 Chapman et al.  
D199,846 S 12/1964 Armstrong

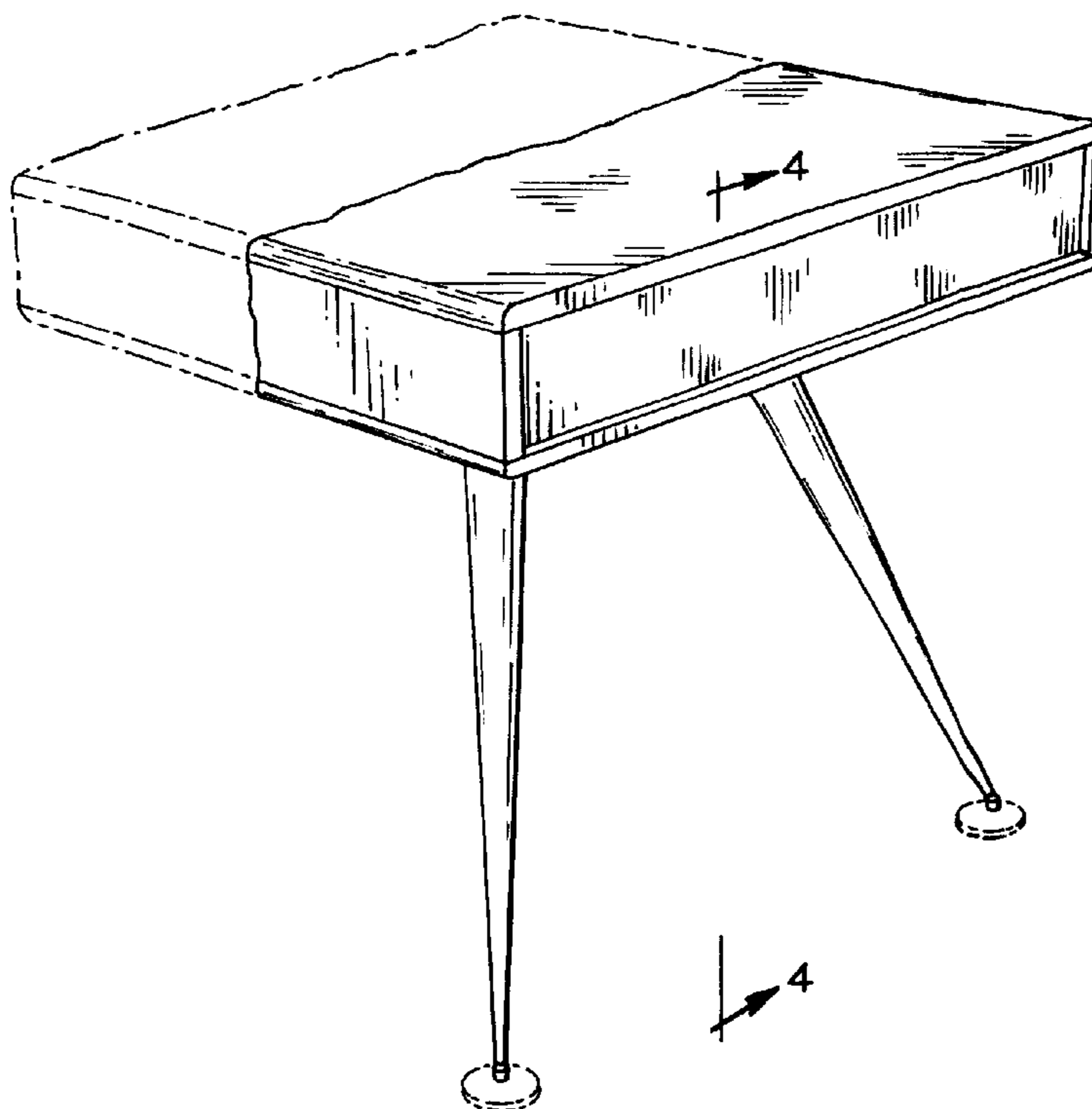
(57) **CLAIM**

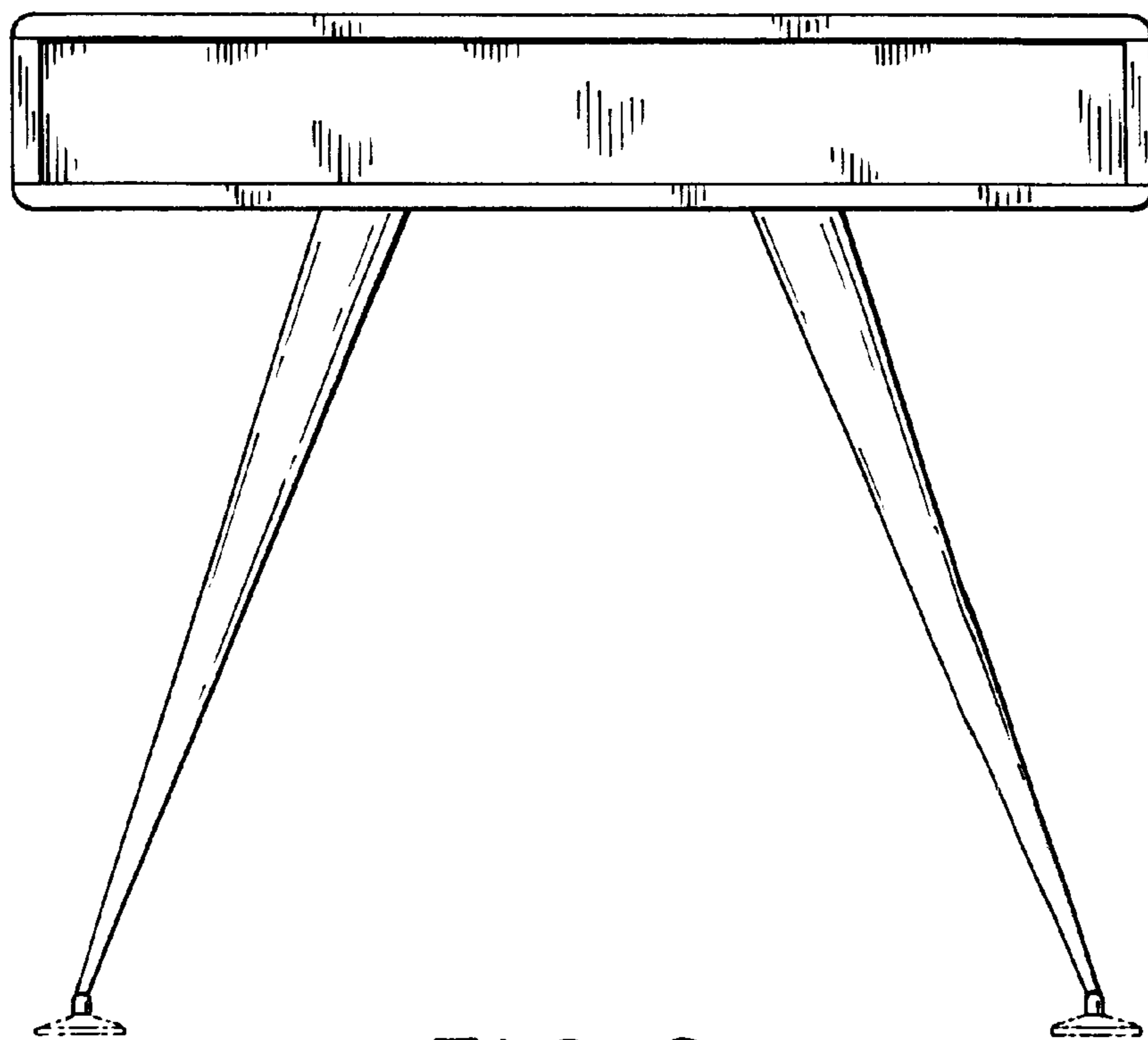
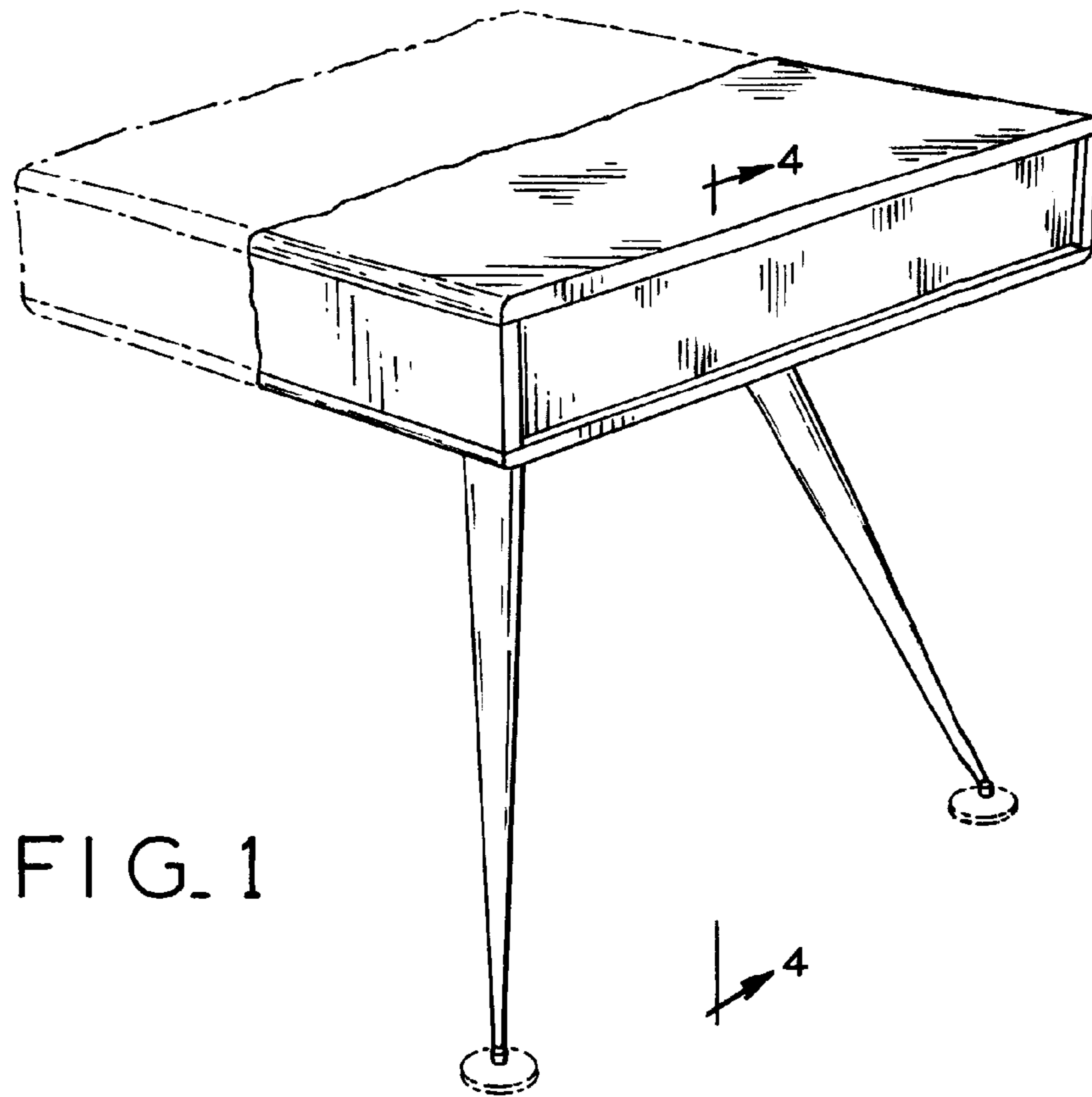
The ornamental design of a furniture end design, as shown and described.

**DESCRIPTION**

FIG. 1 is a perspective view of a furniture end design, showing my new design;  
FIG. 2 is an end elevational view;  
FIG. 3 is a front elevational view; and,  
FIG. 4 is a sectional view taken along line 4—4 in FIG. 1. The broken lines are for environmental purposes only and form no part of the claimed design.

**1 Claim, 2 Drawing Sheets**





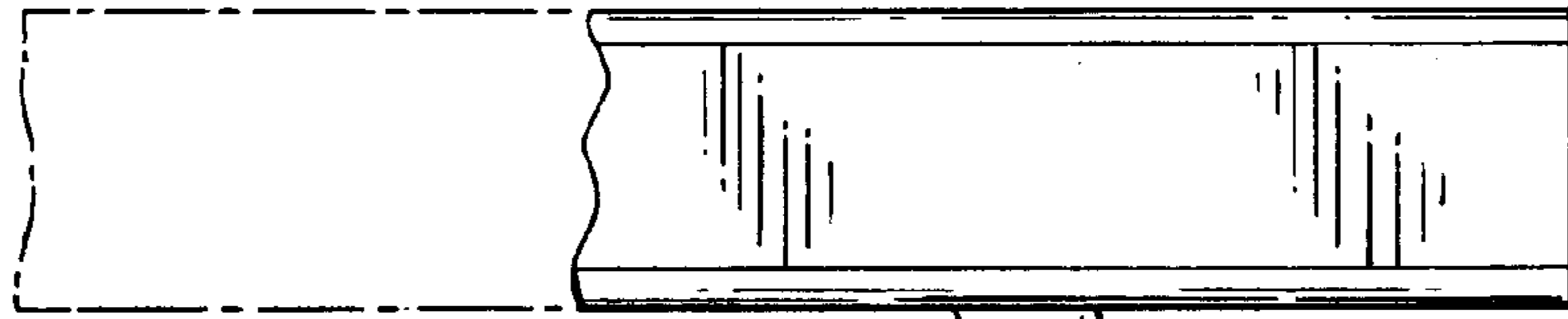


FIG. 3

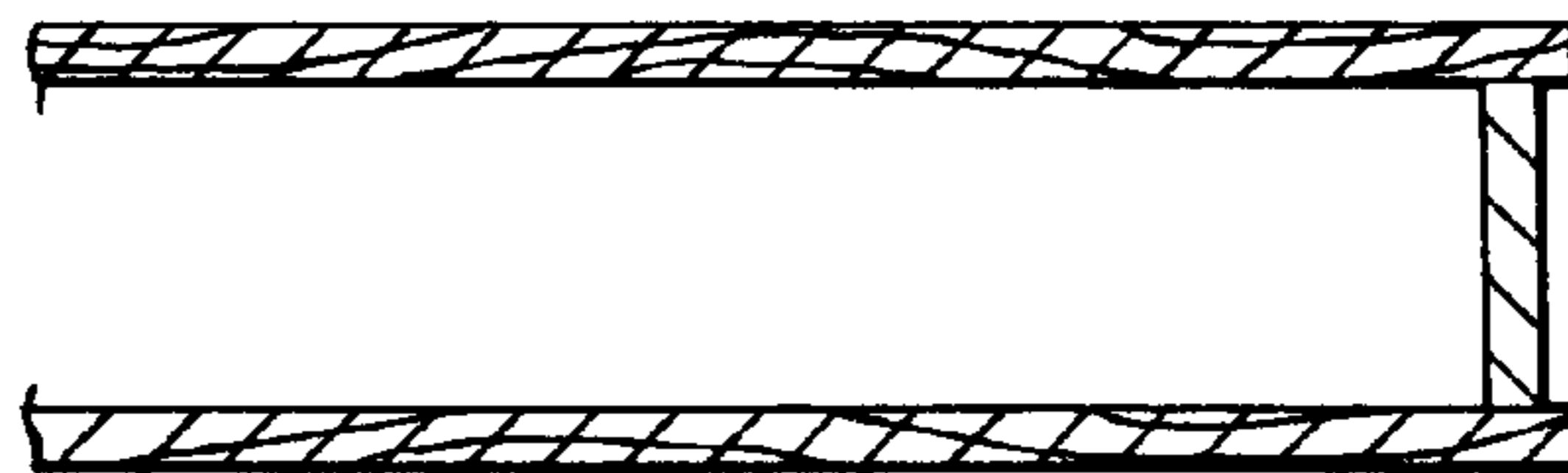


FIG. 4