

US00D505807S

(12) **United States Design Patent**  
**Goto et al.**

(10) **Patent No.:** **US D505,807 S**  
(45) **Date of Patent:** **\*\* Jun. 7, 2005**

- (54) **TELEVISION STAND**
- (75) Inventors: **Masaaki Goto**, Ehime (JP); **Kazuhiko Maeda**, Ehime (JP)
- (73) Assignee: **Matsushita Electric Industrial Co., Ltd.**, Osaka (JP)
- (\*\*) Term: **14 Years**
- (21) Appl. No.: **29/199,041**
- (22) Filed: **Feb. 9, 2004**
- (51) **LOC (8) Cl.** ..... **06-04**
- (52) **U.S. Cl.** ..... **D6/477**
- (58) **Field of Search** ..... D6/460, 461, 468, D6/474, 477-479; 108/59, 91, 92, 96; 211/40, 41.12, 42, 49.1, 50, 85.2, 90.04, 187, 190, 119.003, 134.153, 87.01, 71.01; 312/7.2

- JP D1182491 8/2003
- JP D1197509 2/2004
- JP D1197510 2/2004

**OTHER PUBLICATIONS**

SonyStyle USA [online], [retrieved Dec. 15, 2003] Retrieved from internet <URL:http://www.sonystyle.com/is-bin/intershop.enfinity/eCS/Store/en/-/USD/SY\_Browse-Catalog-Start;sid=oxy\_Sa7Fs0i\_Se7by1S1QuHV2n8J\_IhLVZc=?CategoryName=pr\_p\_freestandoct\_tv&Dept=tv>.

Murauchi.co.jp [online], [retrieved Feb. 4, 2004] Retrieved from internet <URL=http://store.yahoo.co.jp/murauchi/4901780737680.html>.

Murauchi.co.jp [online], [retrieved Feb. 4, 2004] Retrieved from internet <URL=http://store.yahoo.co.jp/murauchi/4901780713103.html>.

Murauchi.co.jp [online], [retrieved Feb. 4, 2004] Retrieved from internet <URL=http://store.yahoo.co.jp/murauchi/4901780870325.html>.

(56) **References Cited**

**U.S. PATENT DOCUMENTS**

- D236,054 S \* 7/1975 Ginat ..... D6/479
- D308,378 S 6/1990 Shinoda et al.
- 5,584,595 A \* 12/1996 Gantitano et al. .... 312/7.2
- D400,201 S 10/1998 Tsuge et al.
- D402,486 S \* 12/1998 Wada et al. .... D6/479
- D413,116 S 8/1999 Ishikawa
- D457,507 S 5/2002 Lim et al.
- D477,159 S \* 7/2003 Niitsu ..... D6/479
- D477,292 S \* 7/2003 Inoue et al. .... D14/129
- D483,966 S \* 12/2003 Forlenza et al. .... D6/474
- D485,539 S \* 1/2004 Goto et al. .... D14/128

**FOREIGN PATENT DOCUMENTS**

- JP D1027999/4 1/2000
- JP D1076454 2/2000
- JP D1066086/1 4/2000
- JP D1104123 3/2001
- JP D1115939 7/2001
- JP D1120806 9/2001
- JP D1133226 2/2002
- JP D1166535 3/2003
- JP D1166550 3/2003
- JP D1181224 8/2003

(Continued)

*Primary Examiner*—Cathron Brooks  
(74) *Attorney, Agent, or Firm*—Brinks Hofer Gilson & Lione

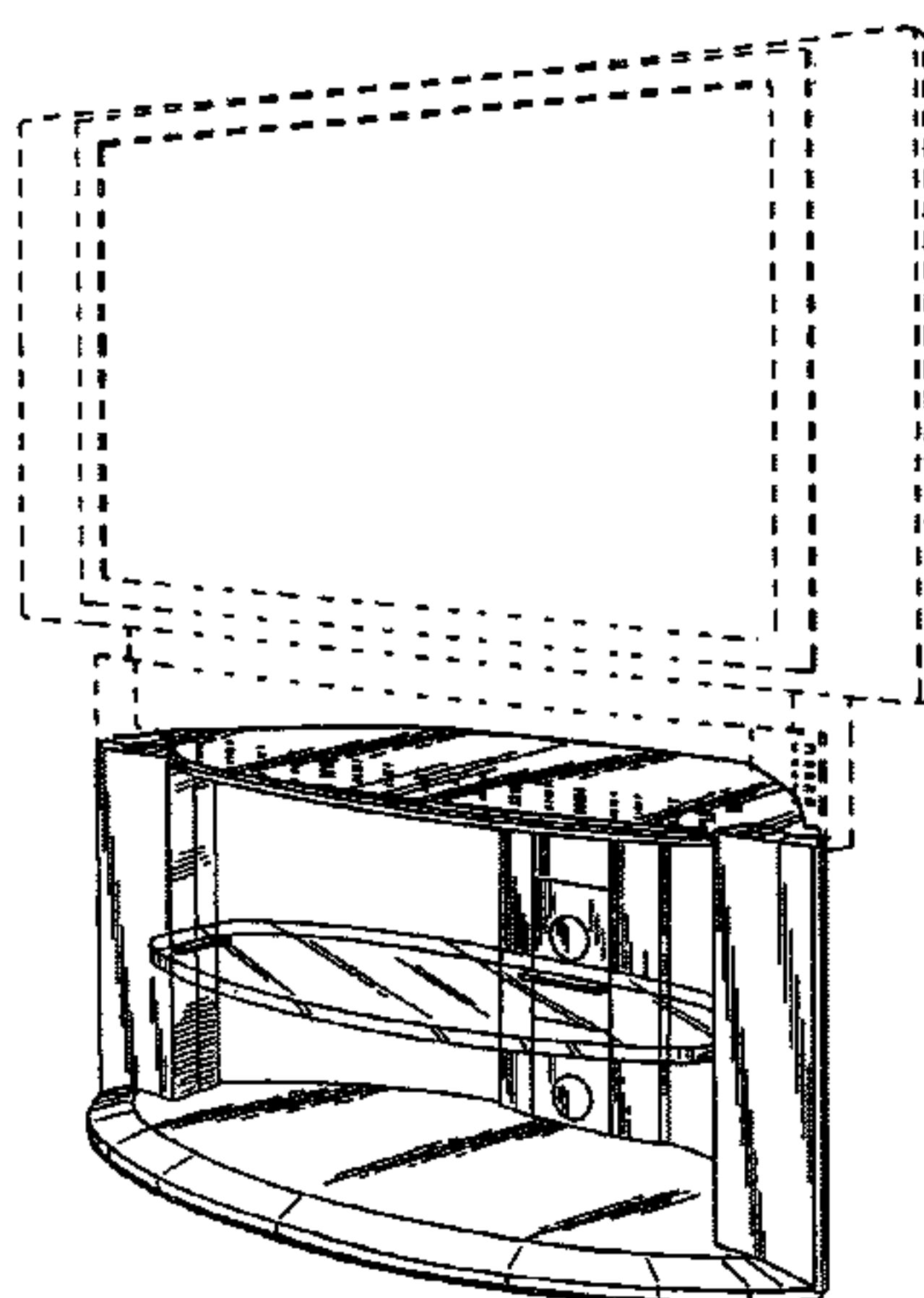
(57) **CLAIM**

The ornamental design for a television stand, as shown and described.

**DESCRIPTION**

FIG. 1 is a front perspective view of a television stand of the present invention;  
FIG. 2 is a rear perspective view thereof;  
FIG. 3 is a top view thereof;  
FIG. 4 is a front view thereof;  
FIG. 5 is a rear view thereof;  
FIG. 6 is a first side view thereof; and,  
FIG. 7 is a second side view thereof.  
The ornamental design which is claimed is shown in solid lines in the drawings. Any broken lines in the drawings are for illustrative purposes only and form no part of the claimed design.

**1 Claim, 4 Drawing Sheets**



OTHER PUBLICATIONS

Murauchi.co.jp [online], [retrieved Feb. 4, 2004] Retrieved from internet <URL=http://store.yahoo.co.jp/murauchi/4901780742608.html>.

Murauchi.co.jp [online], [retrieved Feb. 4, 2004] Retrieved from internet <URL=http://store.yahoo.co.jp/murauchi/4901780676132.html>.

\* cited by examiner

FIG.1

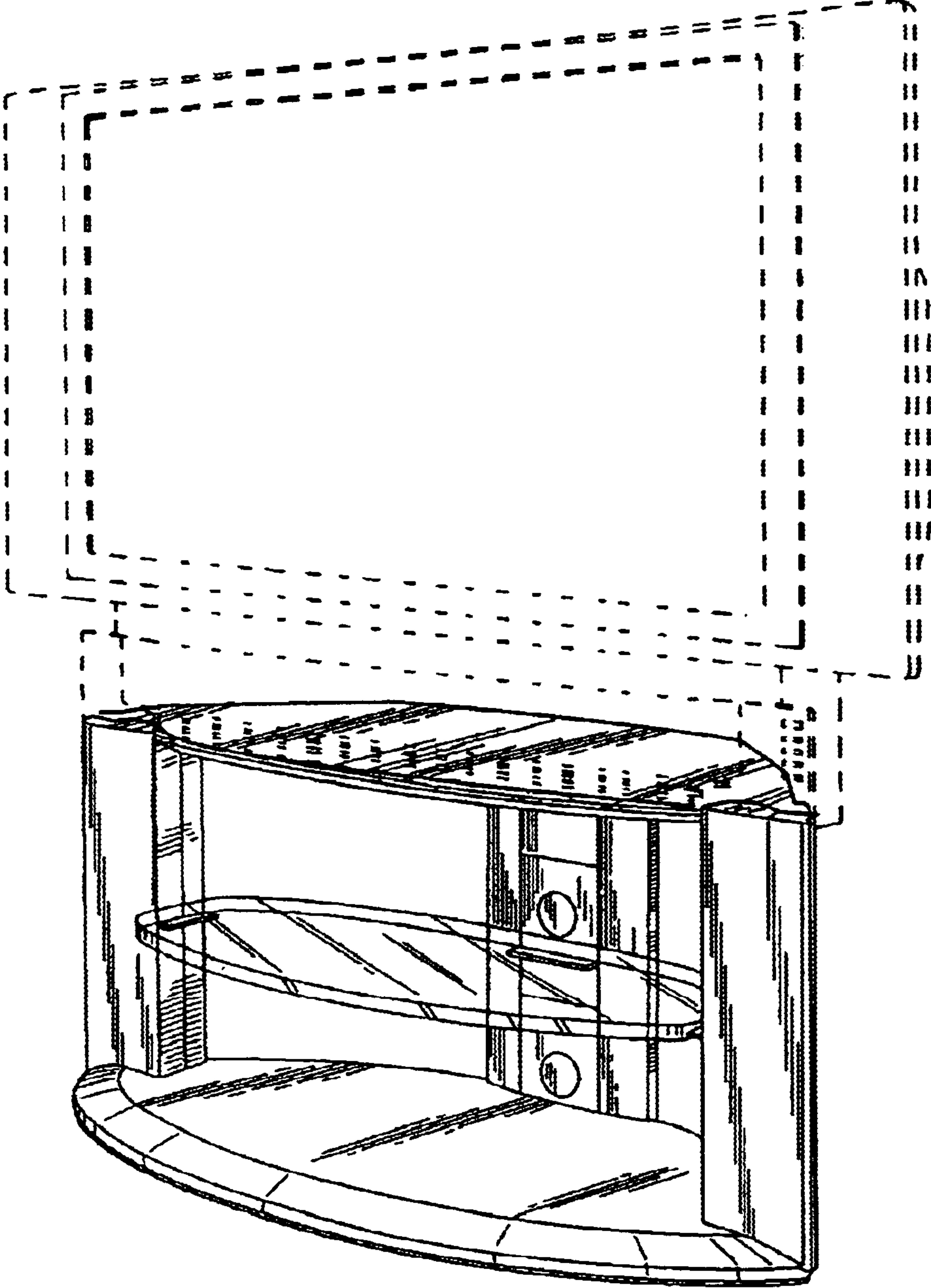


FIG.2

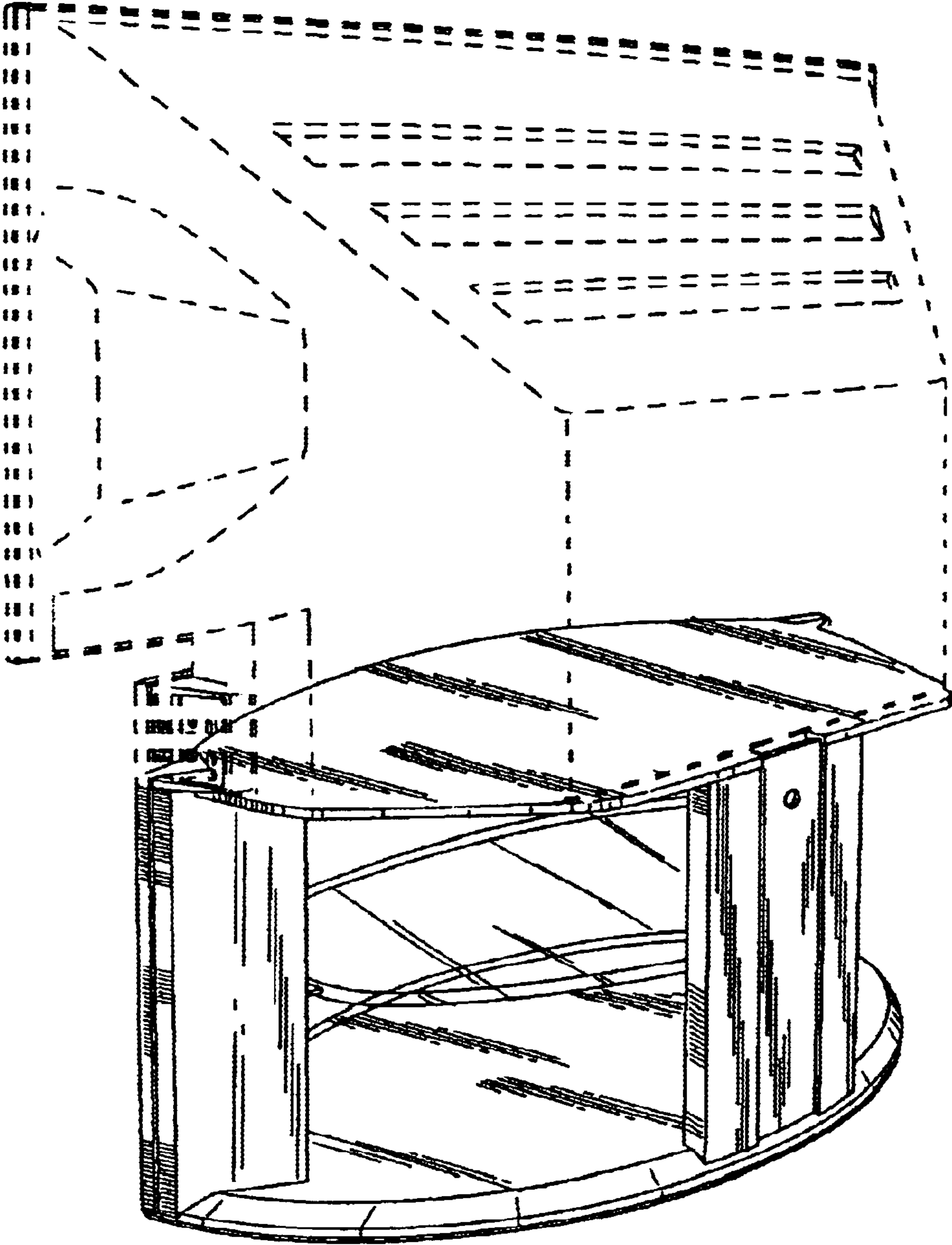




FIG.3

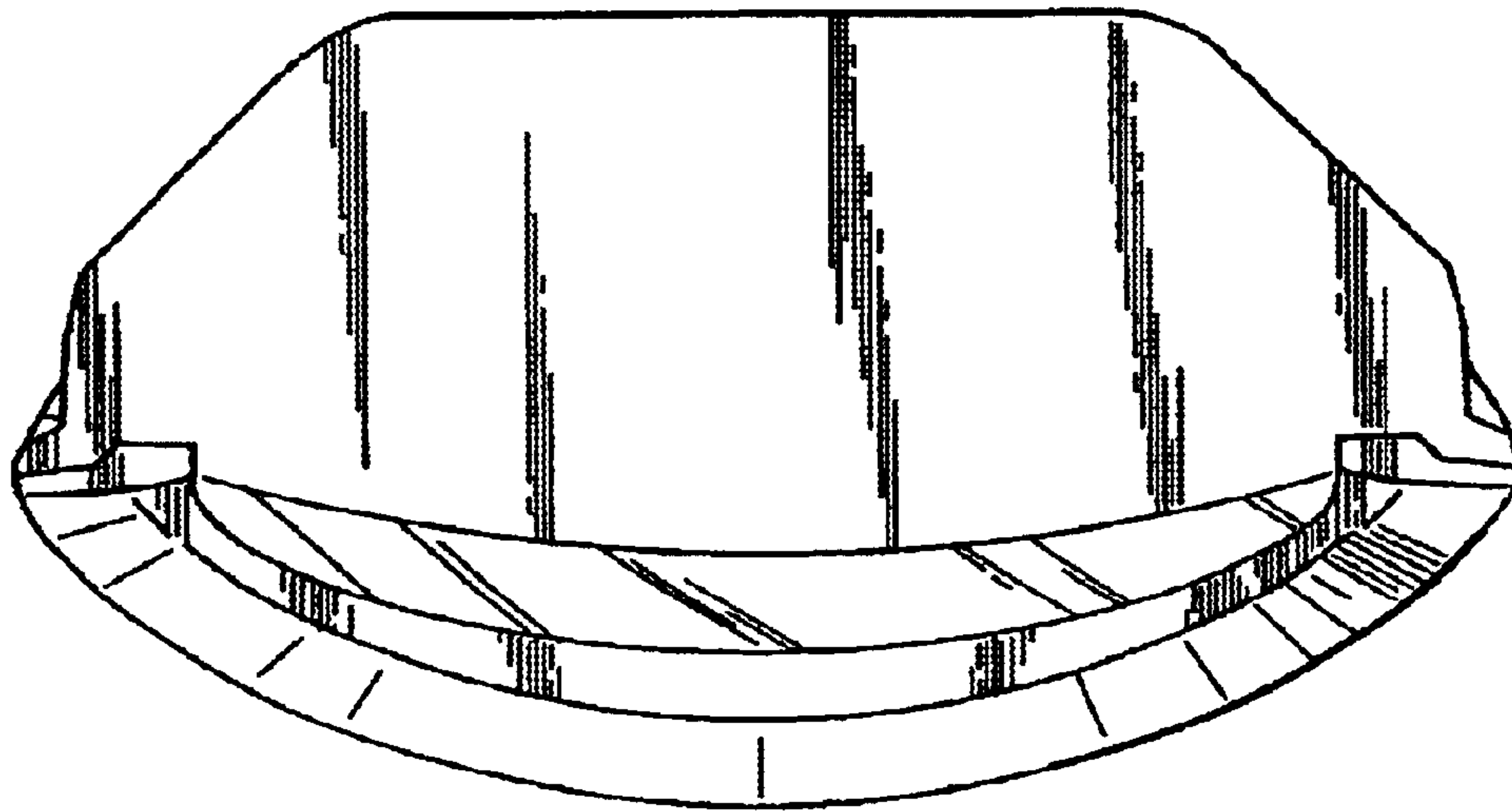


FIG.4

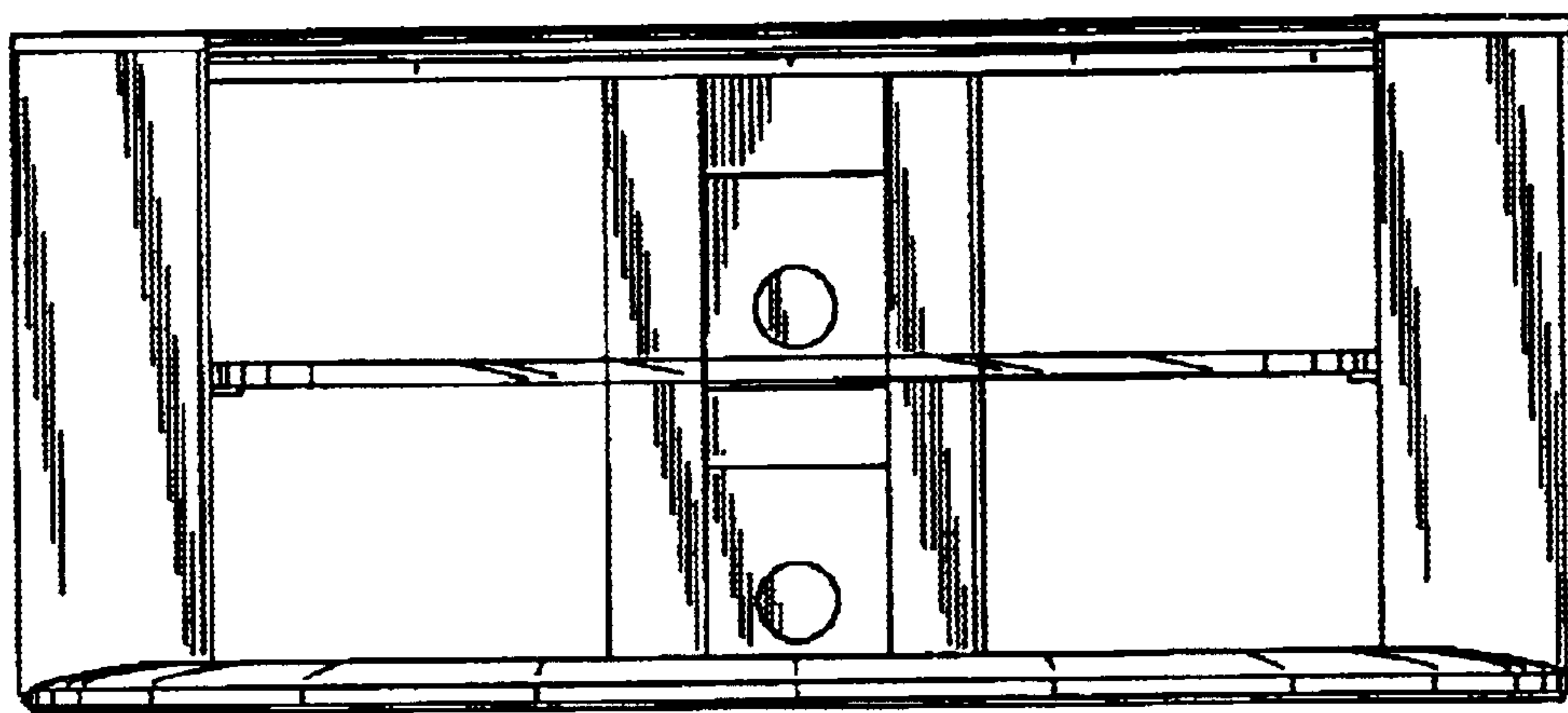


FIG.5

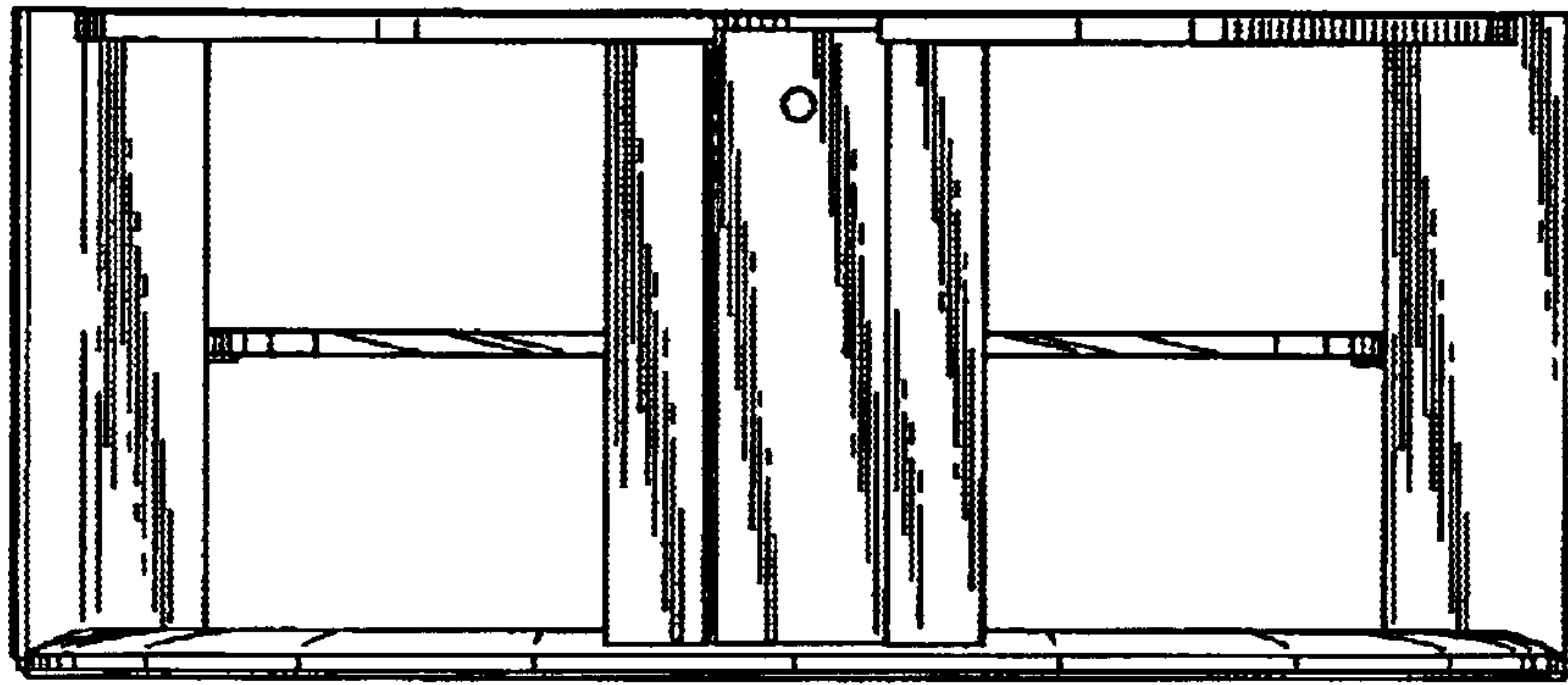


FIG.6

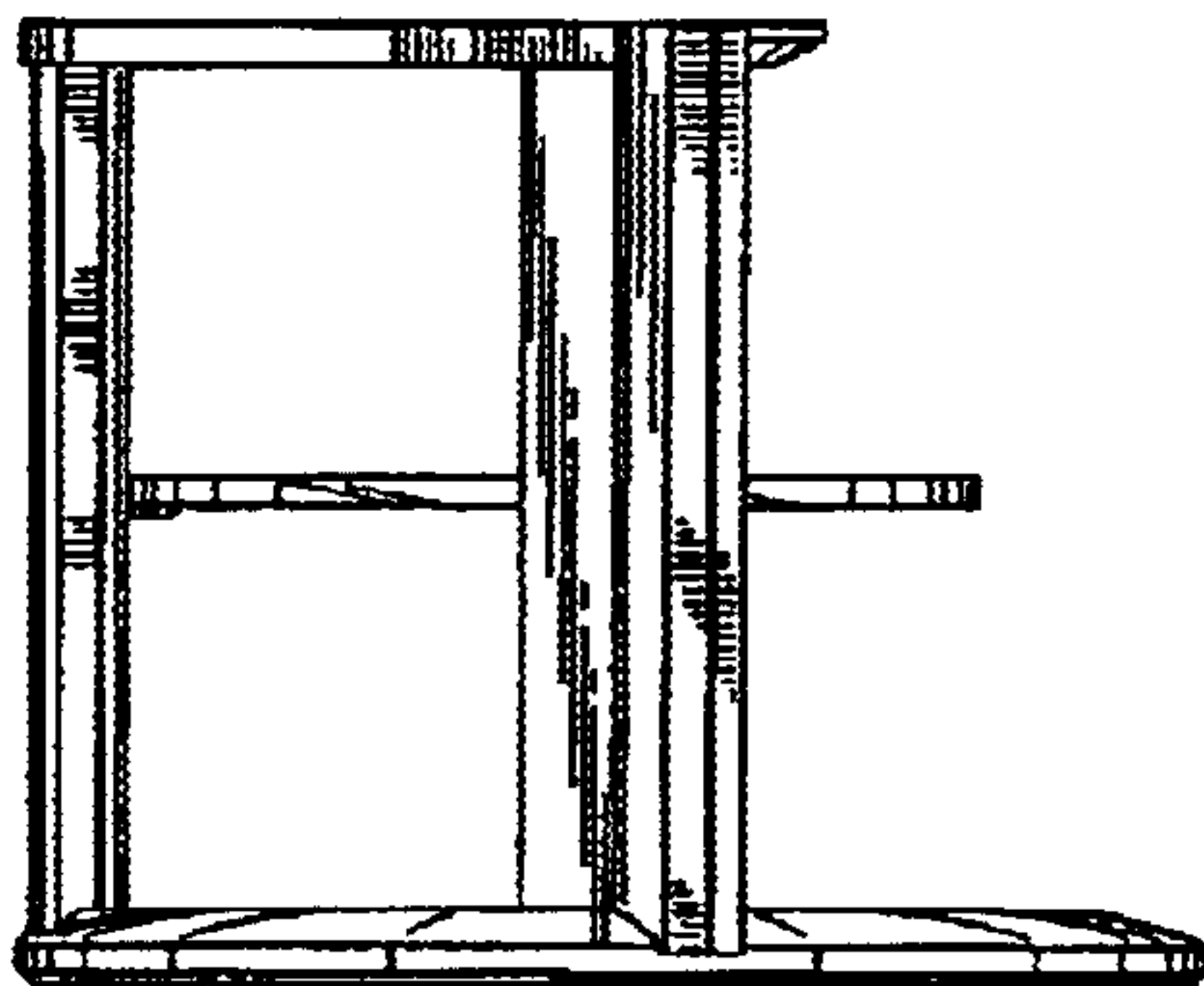


FIG.7

