

US00D505803S

(12) **United States Design Patent** (10) **Patent No.:** **US D505,803 S**
Mason (45) **Date of Patent:** **** Jun. 7, 2005**

(54) **COMBINATION DRY ERASE AND CHALKBOARD TRAY**

(75) Inventor: **Yeung Kai Wah Mason, Kowloon (HK)**

(73) Assignee: **First Learning Company Limited**

(**) Term: **14 Years**

(21) Appl. No.: **29/196,847**

(22) Filed: **Jan. 2, 2004**

(51) **LOC (8) Cl.** **06-06**

(52) **U.S. Cl.** **D6/406.6**

(58) **Field of Search** D6/406.1, 406.3, D6/406.4, 406.5, 406.6, 310, 339, 419, 420, 429, 449, 511; D7/545, 550.1, 554.3, 554.4, 698; D12/415, 416, 426.1; D19/20, 36, 52, 65, 75, 78, 86, 88, 90, 91, 92, 99, 100; 40/371; 108/43, 44, 49, 129, 132, 166, 174; 206/214, 224, 371; 224/42.11, 540; 248/166, 444, 444.1, 451, 452, 454, 460, 463; 297/148, 153; 312/231

(56) **References Cited**

U.S. PATENT DOCUMENTS

1,720,682 A * 7/1929 Larter 206/371
D132,893 S * 6/1942 Corbett D6/406.6
2,879,119 A * 3/1959 Bullock 108/132
D257,525 S * 11/1980 Stahel, II D7/698
D281,555 S * 12/1985 Levy D6/406.6
D282,043 S * 1/1986 Morin D7/698
D289,247 S * 4/1987 Wang D6/406.6
D295,589 S * 5/1988 Walker D6/406.6
5,365,861 A * 11/1994 Gutsell 108/132
5,377,946 A * 1/1995 Pannu 248/456

5,383,411 A * 1/1995 Tomaka et al. 108/129
D385,126 S * 10/1997 Howland et al. D6/406.6
D401,518 S * 11/1998 Rosario D19/52
6,044,758 A * 4/2000 Drake 248/444
6,045,108 A * 4/2000 Cziraky 248/454
D428,729 S * 8/2000 Weitzman et al. D6/406.6
6,170,405 B1 * 1/2001 Weitzman et al. 108/174
D469,126 S * 1/2003 Joss et al. D19/78
6,568,506 B1 * 5/2003 Donnalley 108/129

* cited by examiner

Primary Examiner—Joel A. Sincavage

Assistant Examiner—T. Chase Nelson

(74) *Attorney, Agent, or Firm*—Jennifer Meredith; Meredith & Keyhani, PLLC

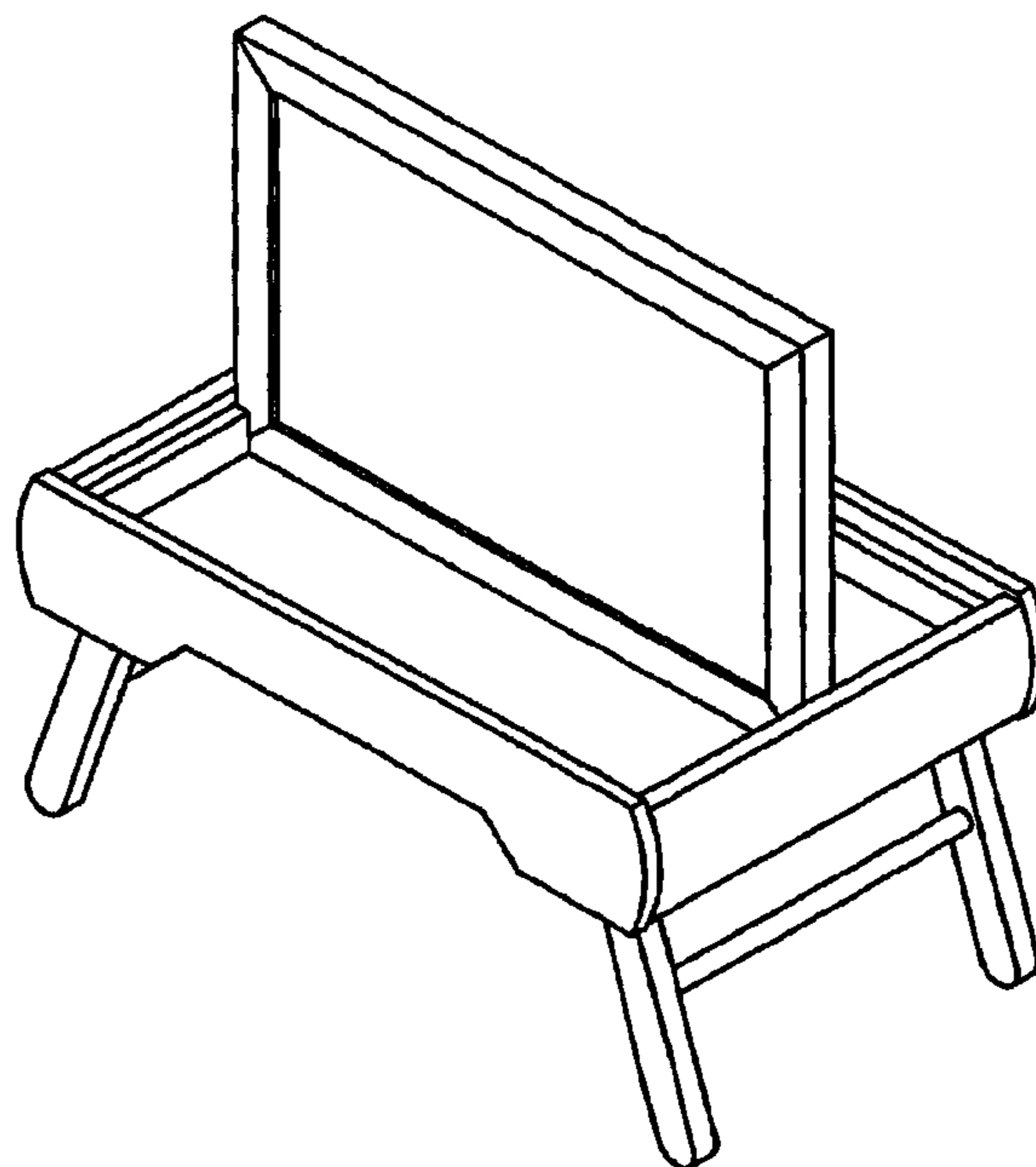
(57) **CLAIM**

The ornamental design for the combination dry erase and chalkboard tray, as shown and described.

DESCRIPTION

FIG. 1 is a top view;
FIG. 2 is a bottom view;
FIG. 3 is a front view;
FIG. 4 is a side view;
FIG. 5 is a perspective view showing the combination dry erase and chalkboard in an alternate, flat position within the tray.
FIG. 6 is a perspective view depicting the combination dry erase and chalkboard being inserted into the tray;
FIG. 7 is a perspective view depicting the combination dry erase and chalkboard removably attached to the tray;
FIG. 8 depicts a elevational bottom view of the tray with the legs extended; and,
FIG. 9 depicts an elevational bottom view of the tray with the legs folded.

1 Claim, 7 Drawing Sheets



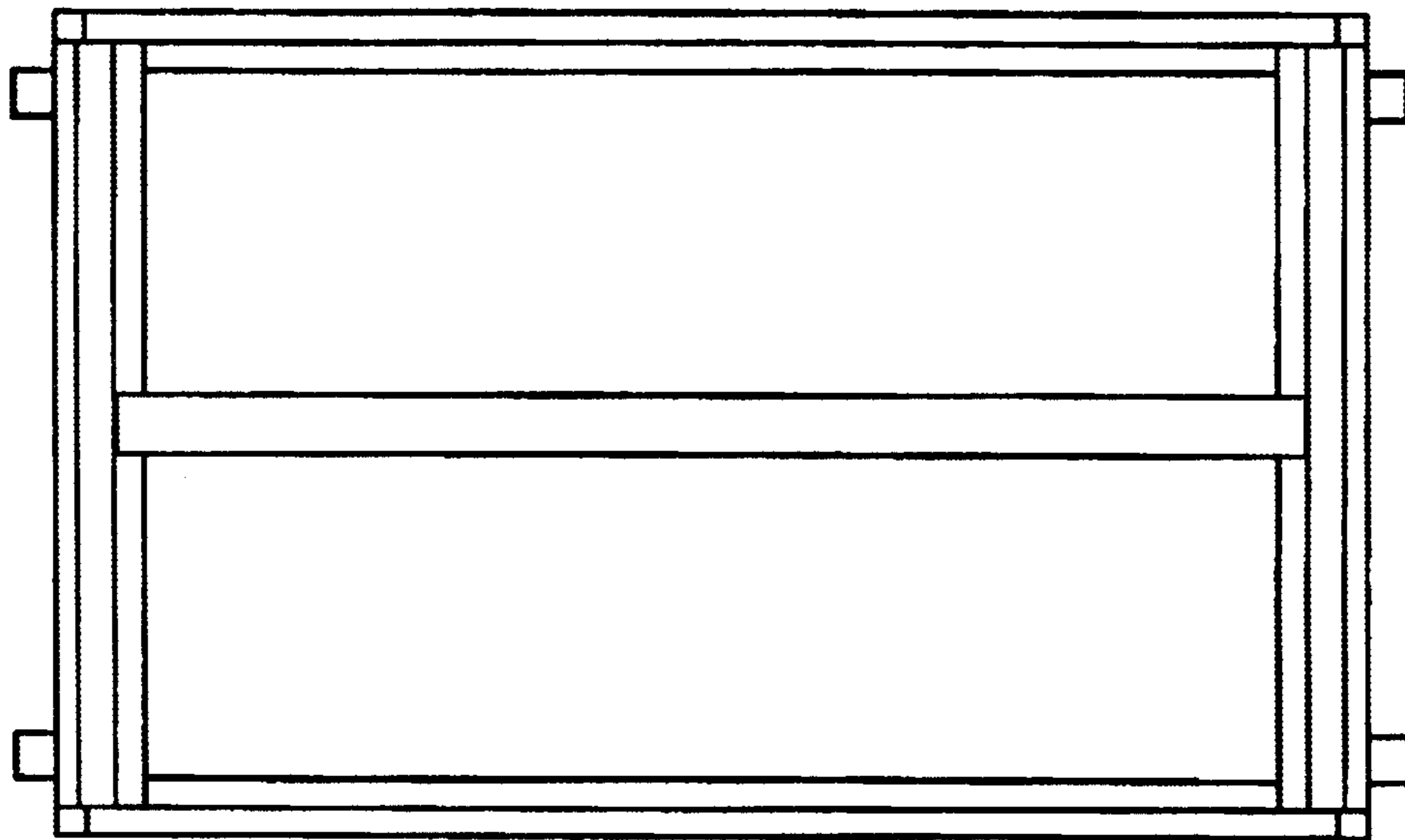


FIG. 1

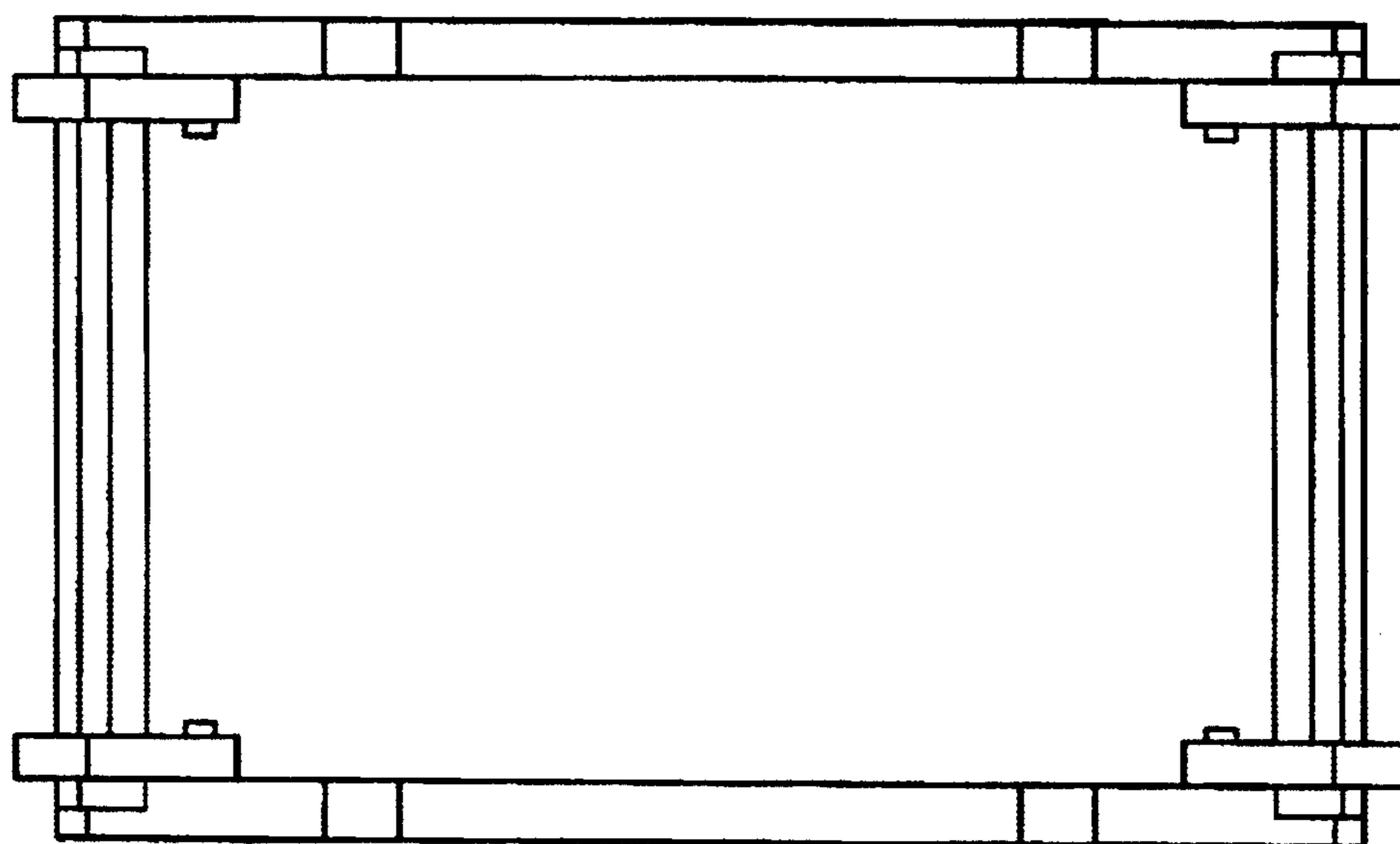


FIG. 2

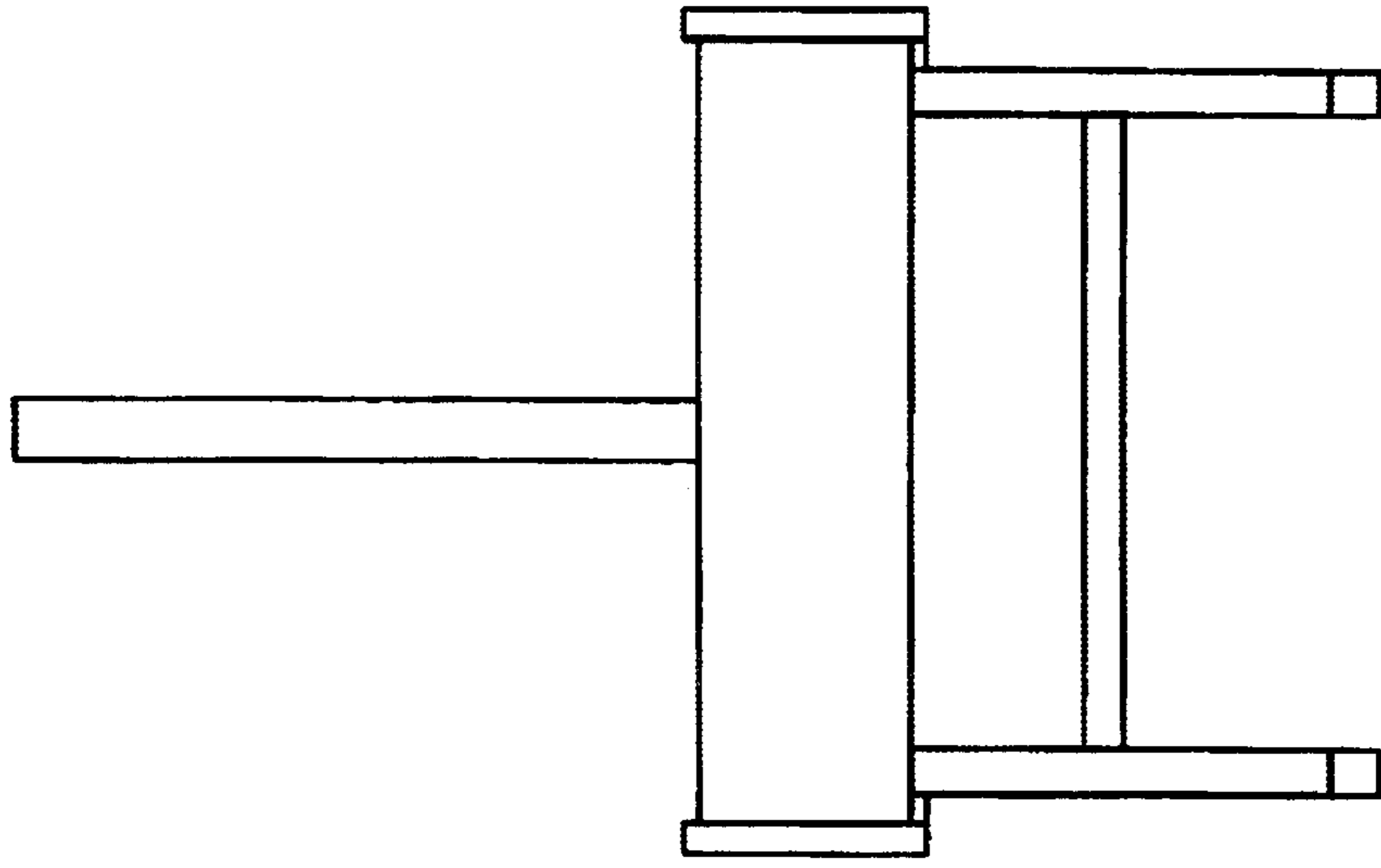


FIG. 4

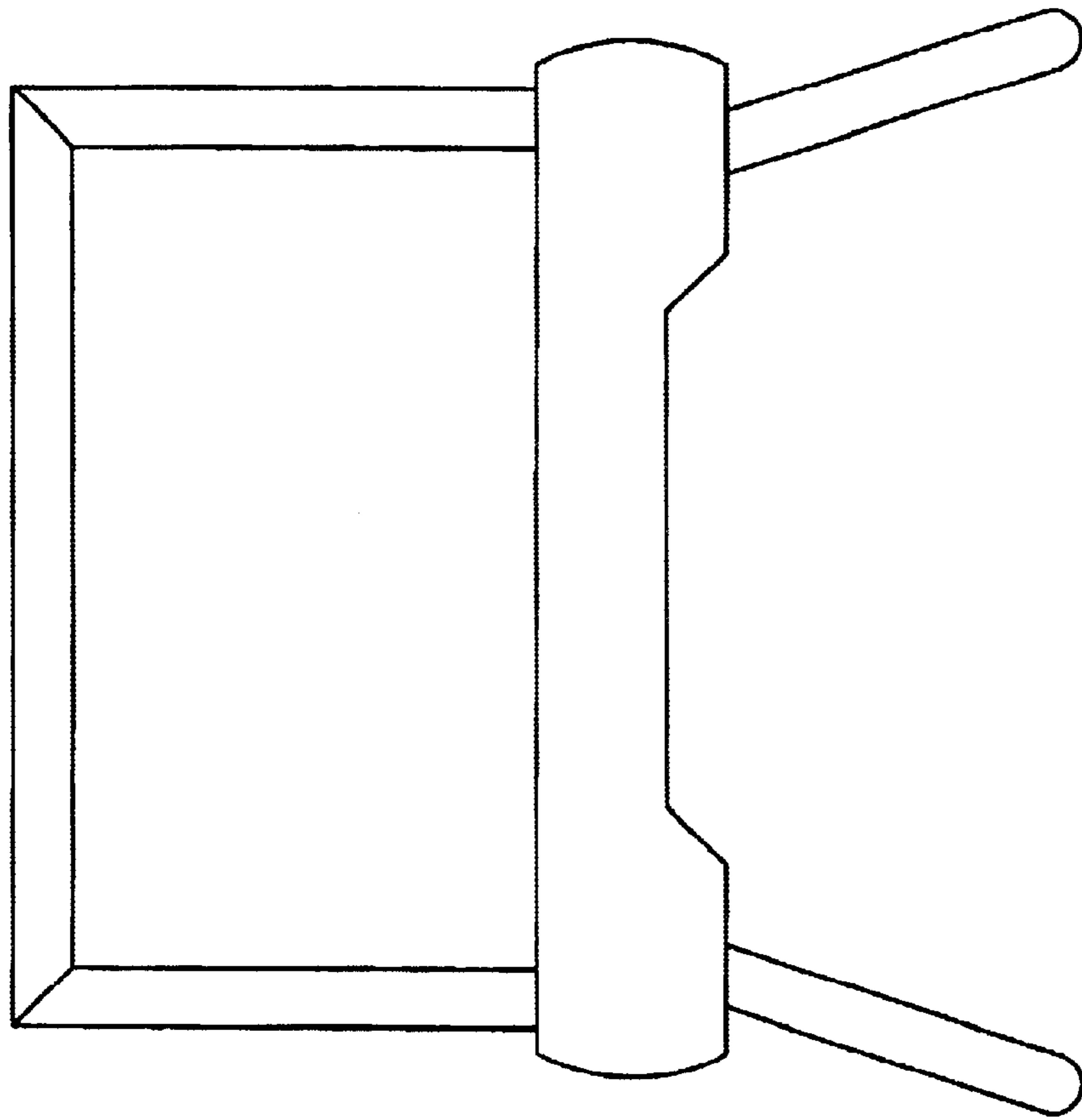


FIG. 3

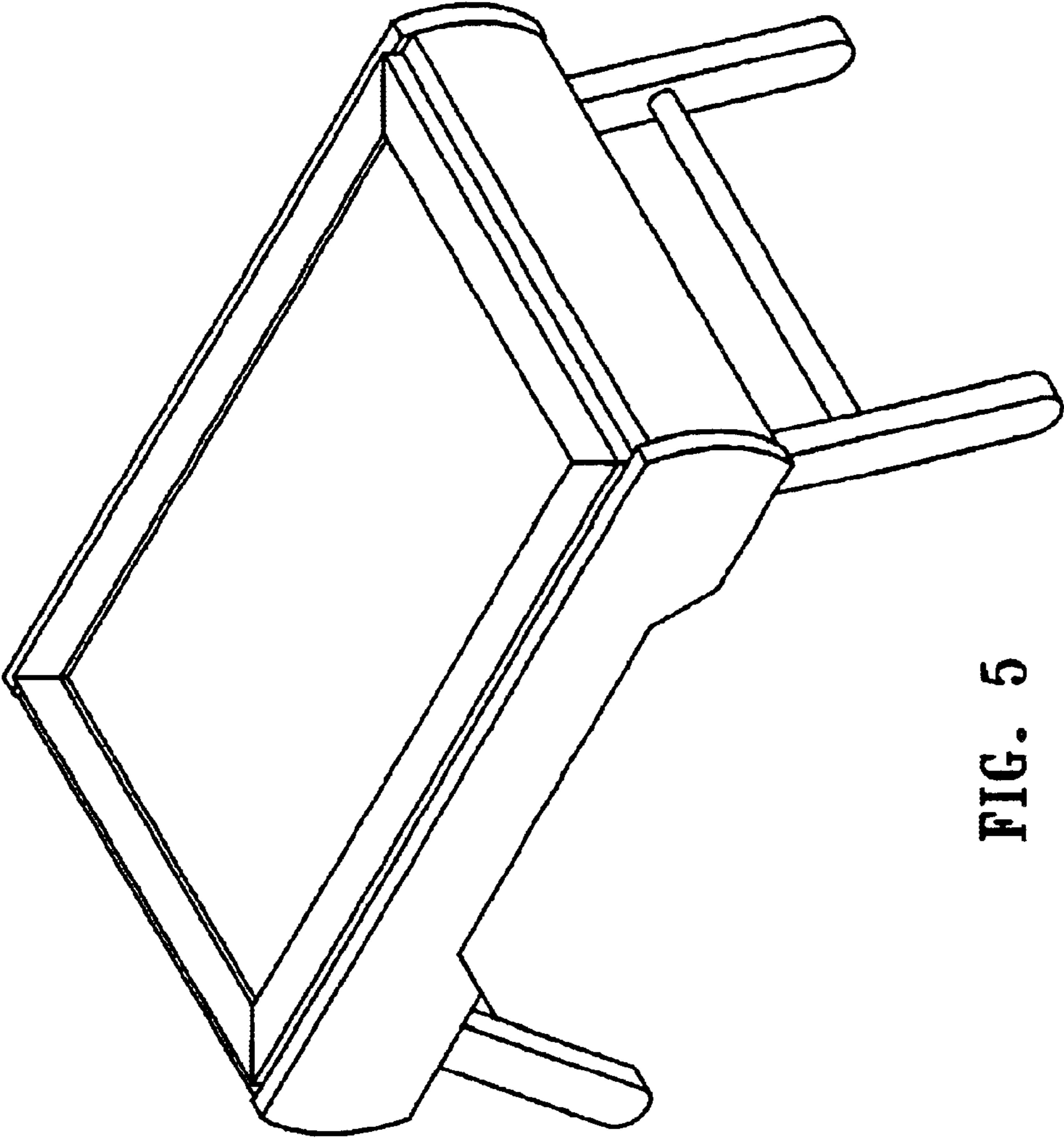


FIG. 5

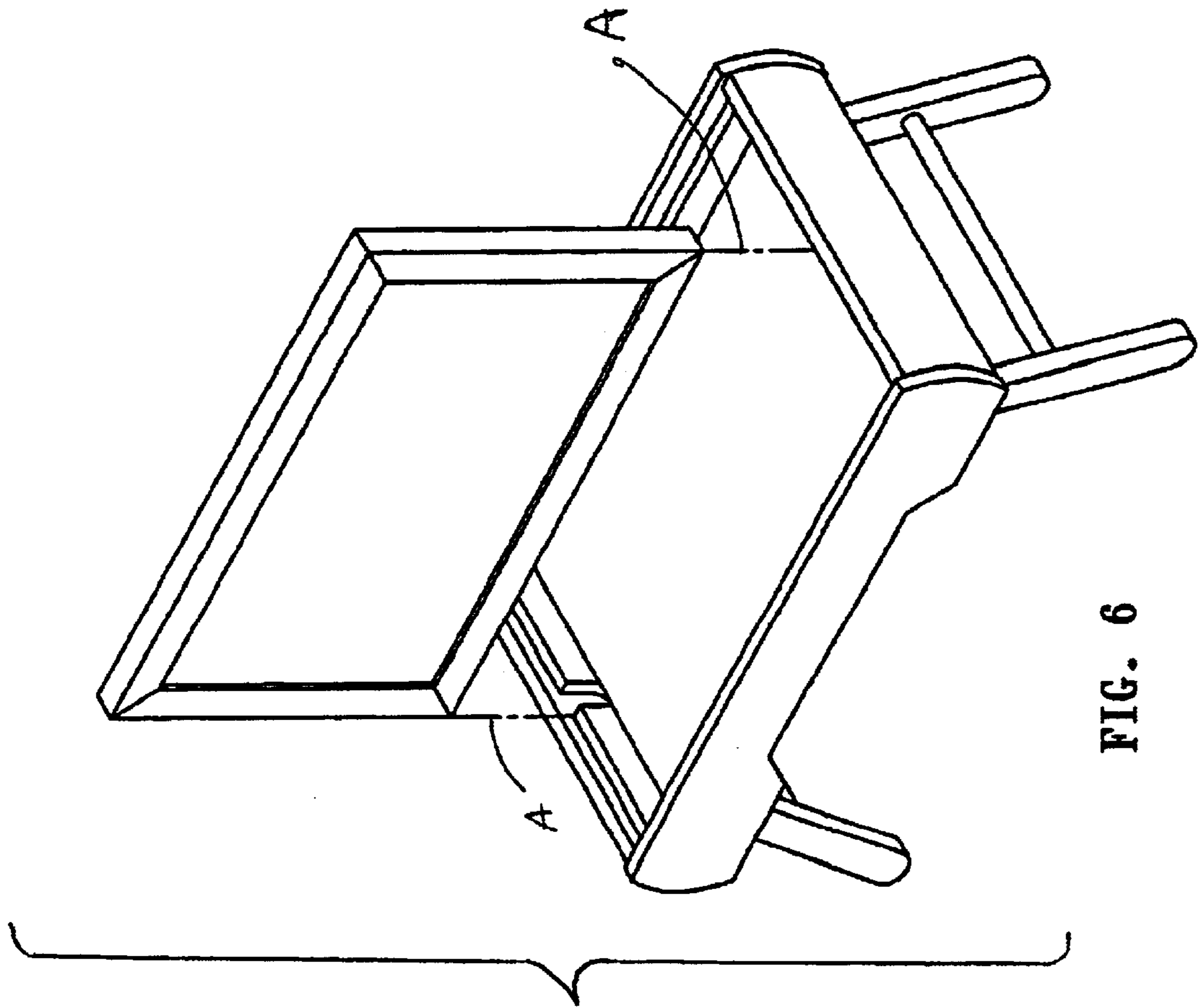


FIG. 6

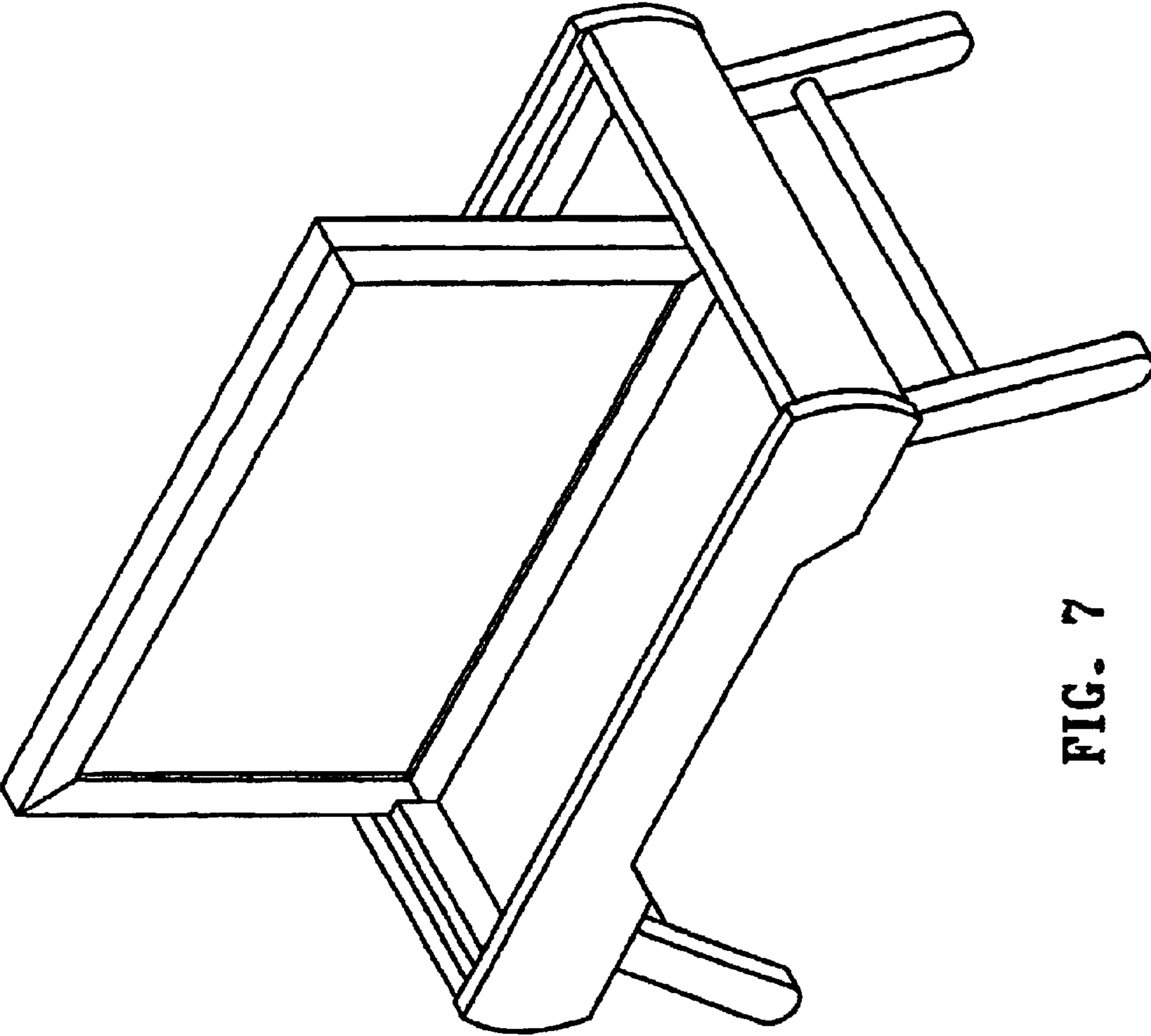


FIG. 7

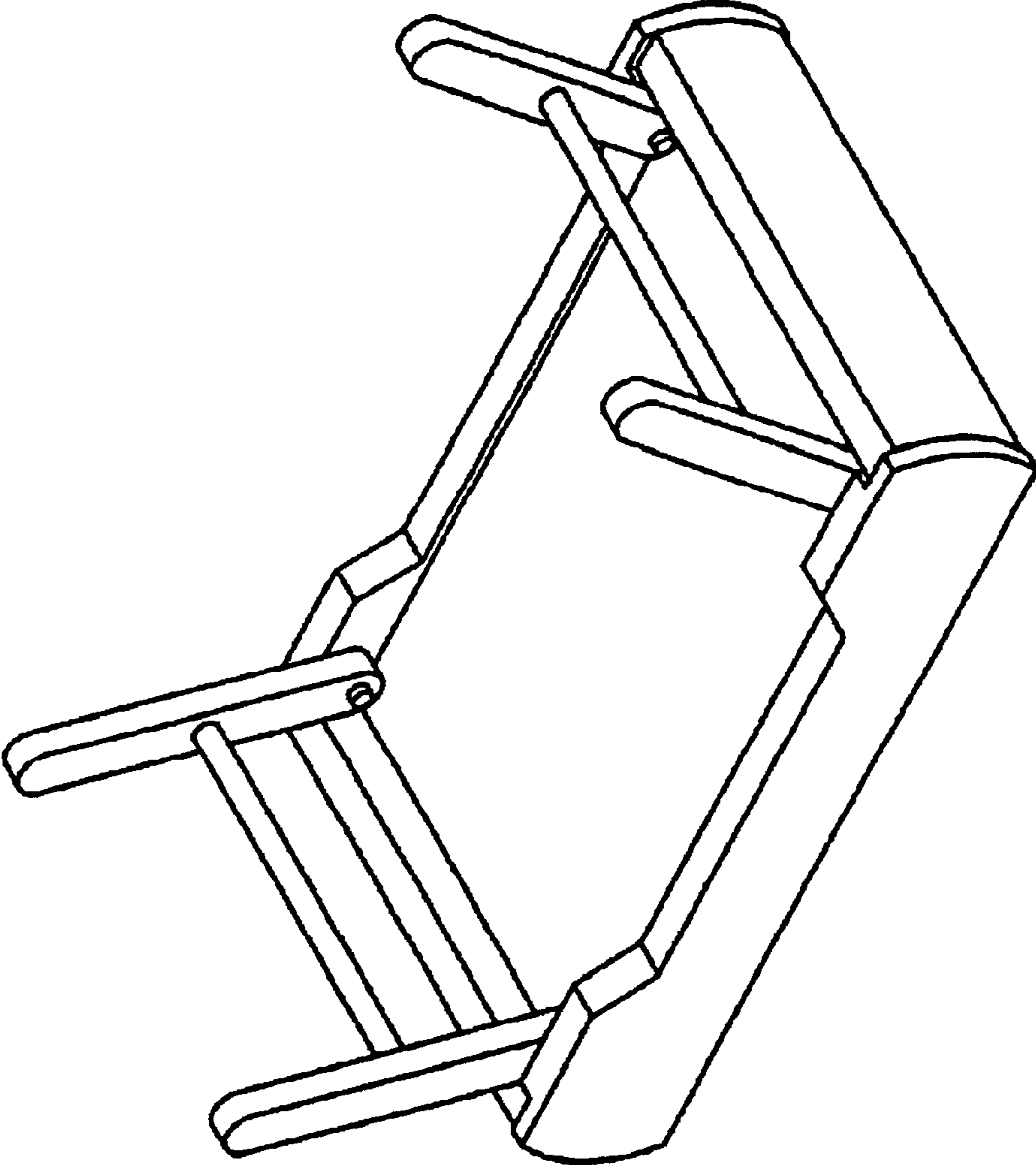


FIG. 8

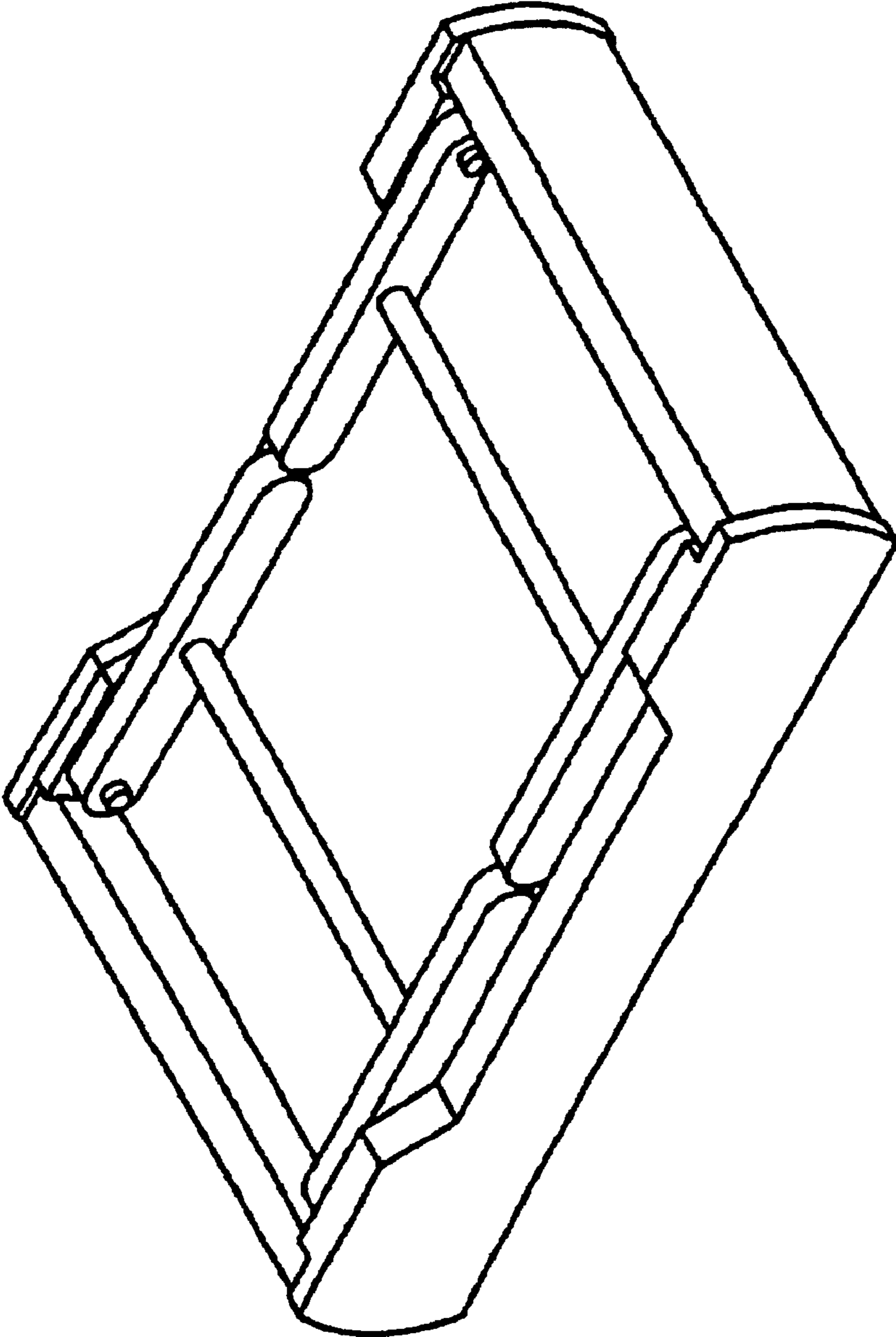


FIG. 9