

US00D505801S

(12) **United States Design Patent**  
**Cesaroni et al.**

(10) **Patent No.: US D505,801 S**  
(45) **Date of Patent: \*\* Jun. 7, 2005**

(54) **CHAIR**

(75) Inventors: **William C. Cesaroni**, Glenview, IL (US); **Shawn Barrett**, Des Plaines, IL (US); **Curtis L. Cruver, IV**, Elmhurst, IL (US); **Joseph Keitel**, Muscatine, IA (US); **James Groulx**, Muscatine, IA (US); **Randall Green**, Muscatine, IA (US); **Ronald Lewis**, Finley, TN (US)

(73) Assignee: **HNI Technologies Inc.**, Muscatine, IA (US)

(\*\*) Term: **14 Years**

D355,080 S	2/1995	Lucci et al.	
D355,090 S	2/1995	Ivicevic	
D386,010 S	11/1997	Grossfillex	
D386,023 S	11/1997	Stumpf et al.	
D396,570 S	8/1998	Lohmeyer	
D418,322 S	* 1/2000	Hock	..... D6/374
D439,451 S	3/2001	Simmons et al.	
D440,784 S	4/2001	Ambasz	
D447,353 S	9/2001	Peloquin	
D449,938 S	11/2001	Vanderiet et al.	
D452,619 S	1/2002	Piretti	
D456,164 S	* 4/2002	Vanderiet et al.	..... D6/374
D464,495 S	* 10/2002	Chu	..... D6/374
D475,544 S	* 6/2003	Chadwick et al.	..... D6/380
D476,495 S	* 7/2003	Tsai	..... D6/380

\* cited by examiner

(21) Appl. No.: **29/183,552**

(22) Filed: **Jun. 13, 2003**

(51) **LOC (8) Cl.** ..... **06-01**

(52) **U.S. Cl.** ..... **D6/379; D6/380**

(58) **Field of Search** ..... D6/334, 335, 365, D6/366, 367, 368, 374, 379, 380, 500, 501, 502; 297/445.1, 411.2

*Primary Examiner*—Mimosa De  
(74) *Attorney, Agent, or Firm*—Ronald A. Sandler; Jones Day

(57) **CLAIM**

The ornamental design for a chair, as shown and described.

**DESCRIPTION**

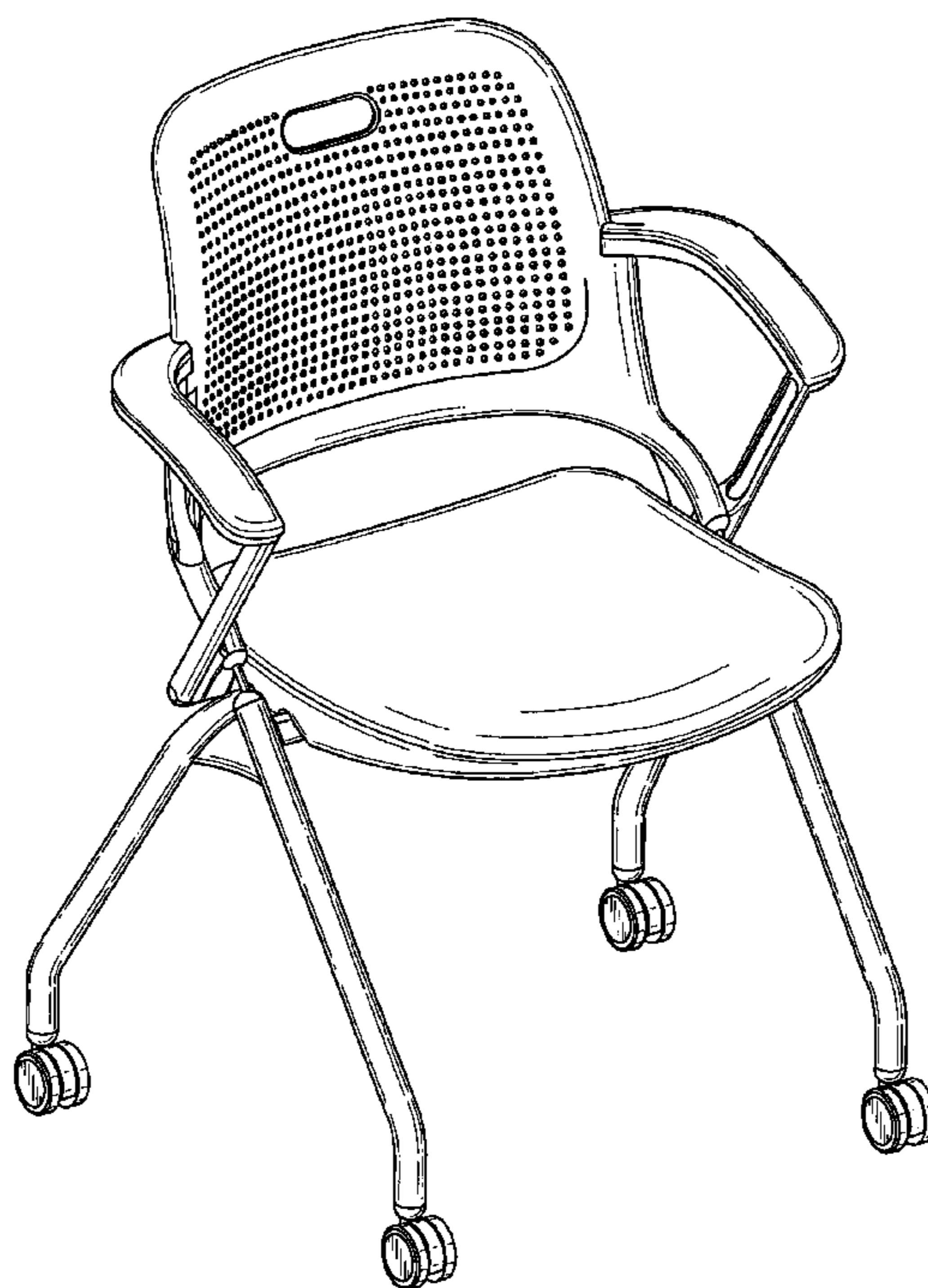
FIG. 1 is a right front isometric view of the chair showing the new design;  
FIG. 2 is a rear isometric view thereof;  
FIG. 3 is a front view thereof;  
FIG. 4 is a right side elevation view thereof;  
FIG. 5 is a left side elevation view thereof;  
FIG. 6 is a rear view thereof; and,  
FIG. 7 is a top plan view thereof.

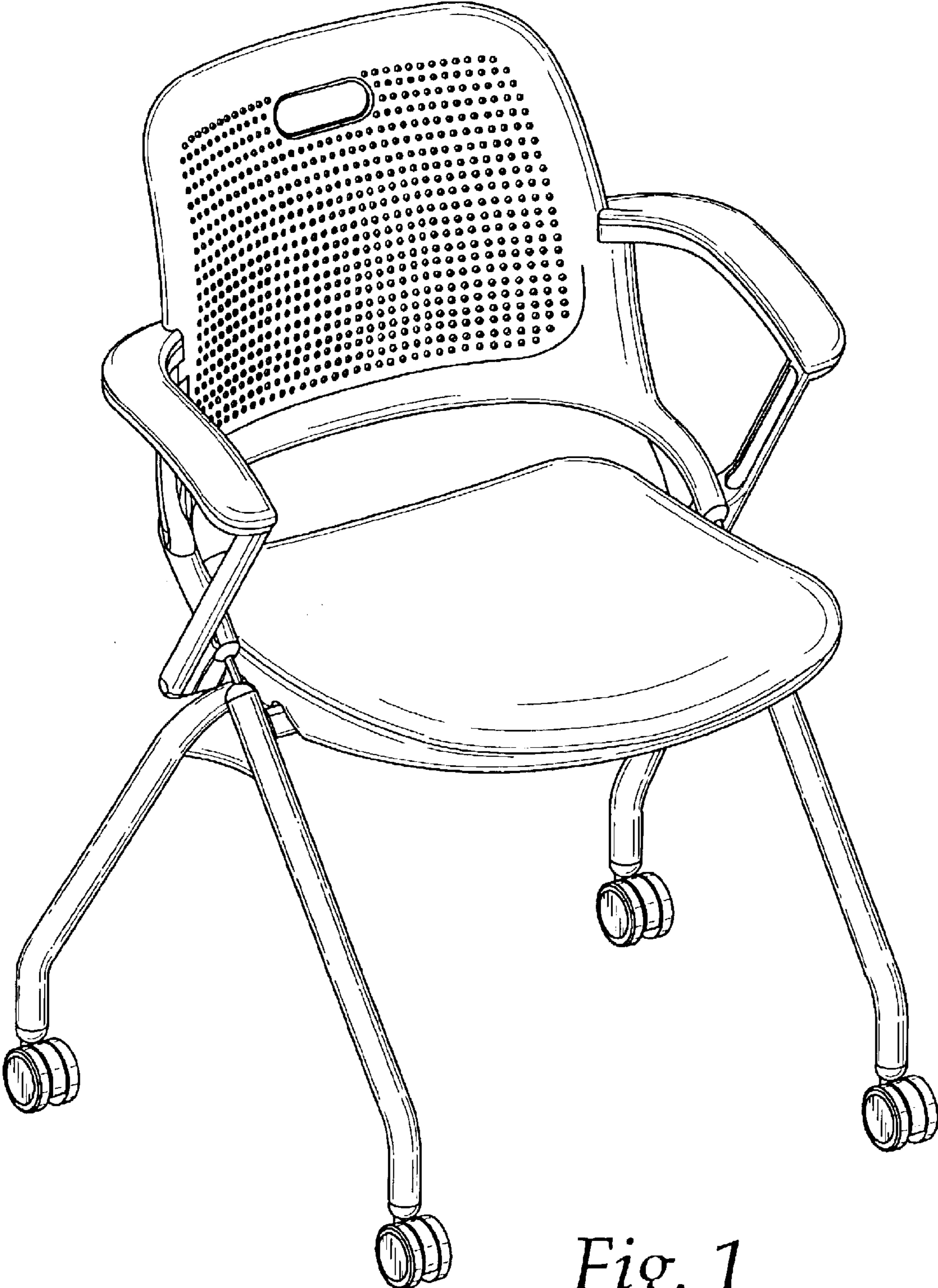
(56) **References Cited**

**U.S. PATENT DOCUMENTS**

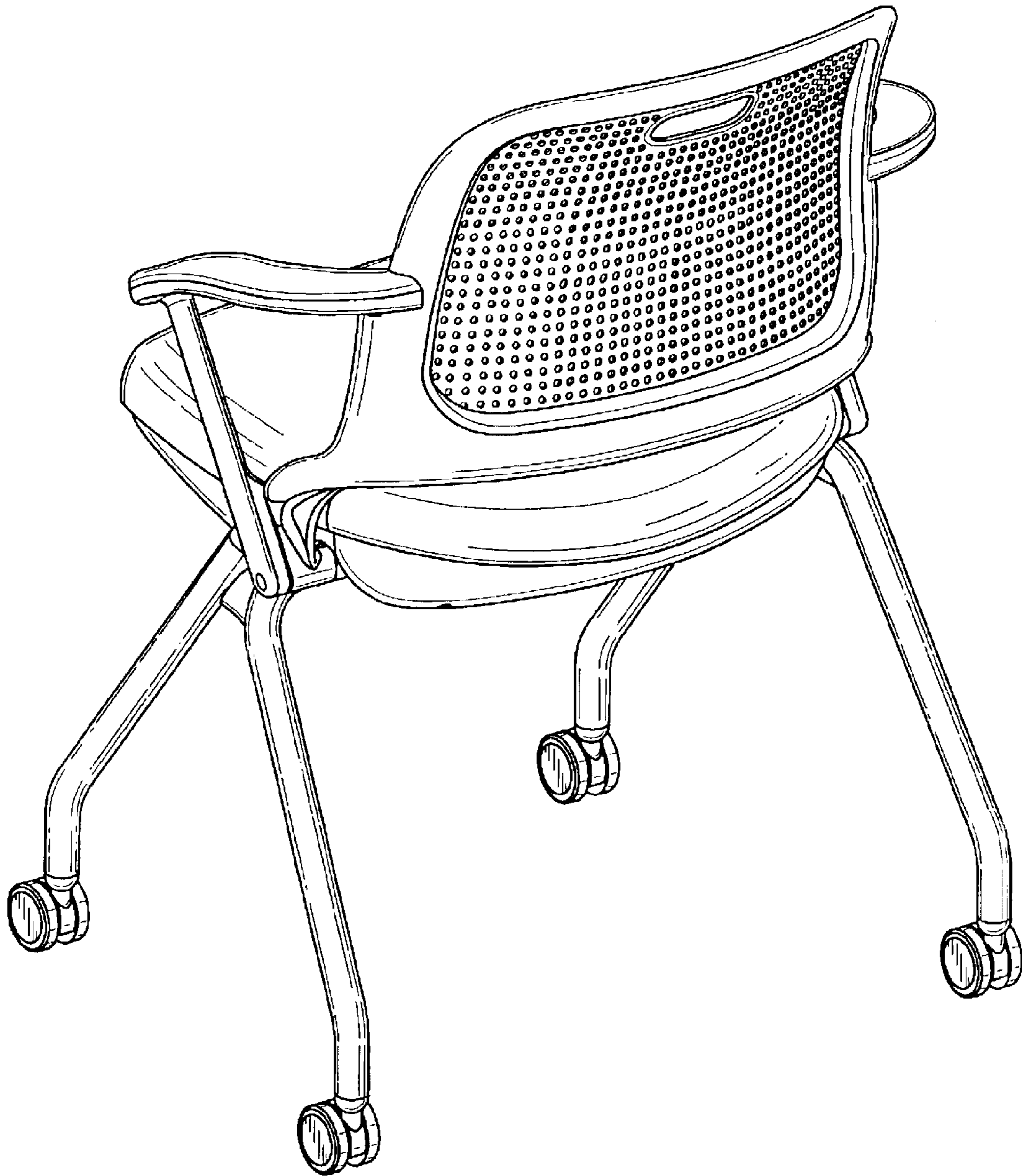
D103,714 S	3/1937	Davis et al.
D112,348 S	11/1938	O'Connor
D129,486 S	9/1941	Jiranek
D169,930 S	6/1953	Chapman et al.
D227,961 S	7/1973	Ekuan
D269,056 S	5/1983	Claman
D298,390 S	11/1988	Bellini
D309,386 S	7/1990	Buhk

**1 Claim, 5 Drawing Sheets**

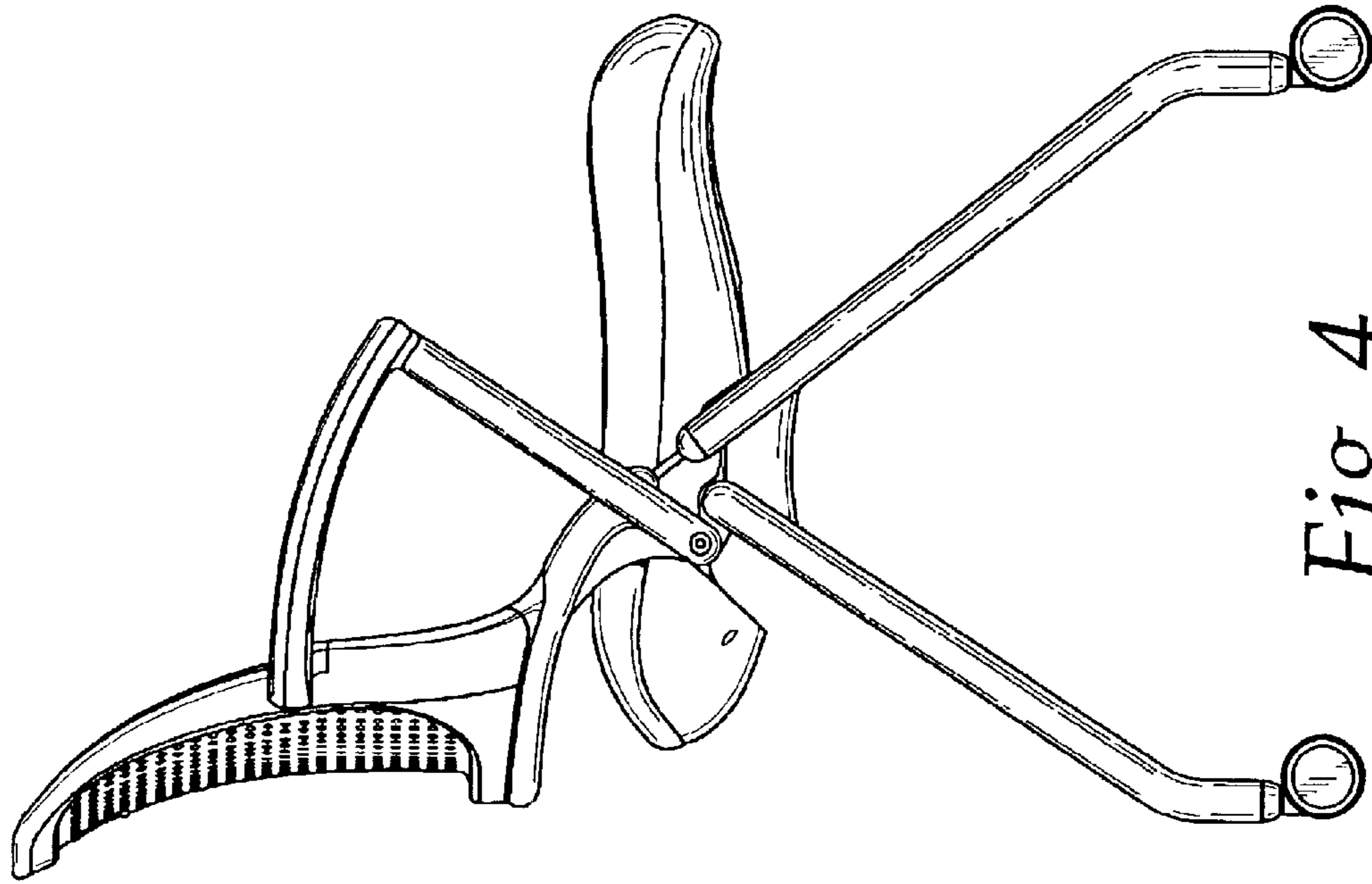




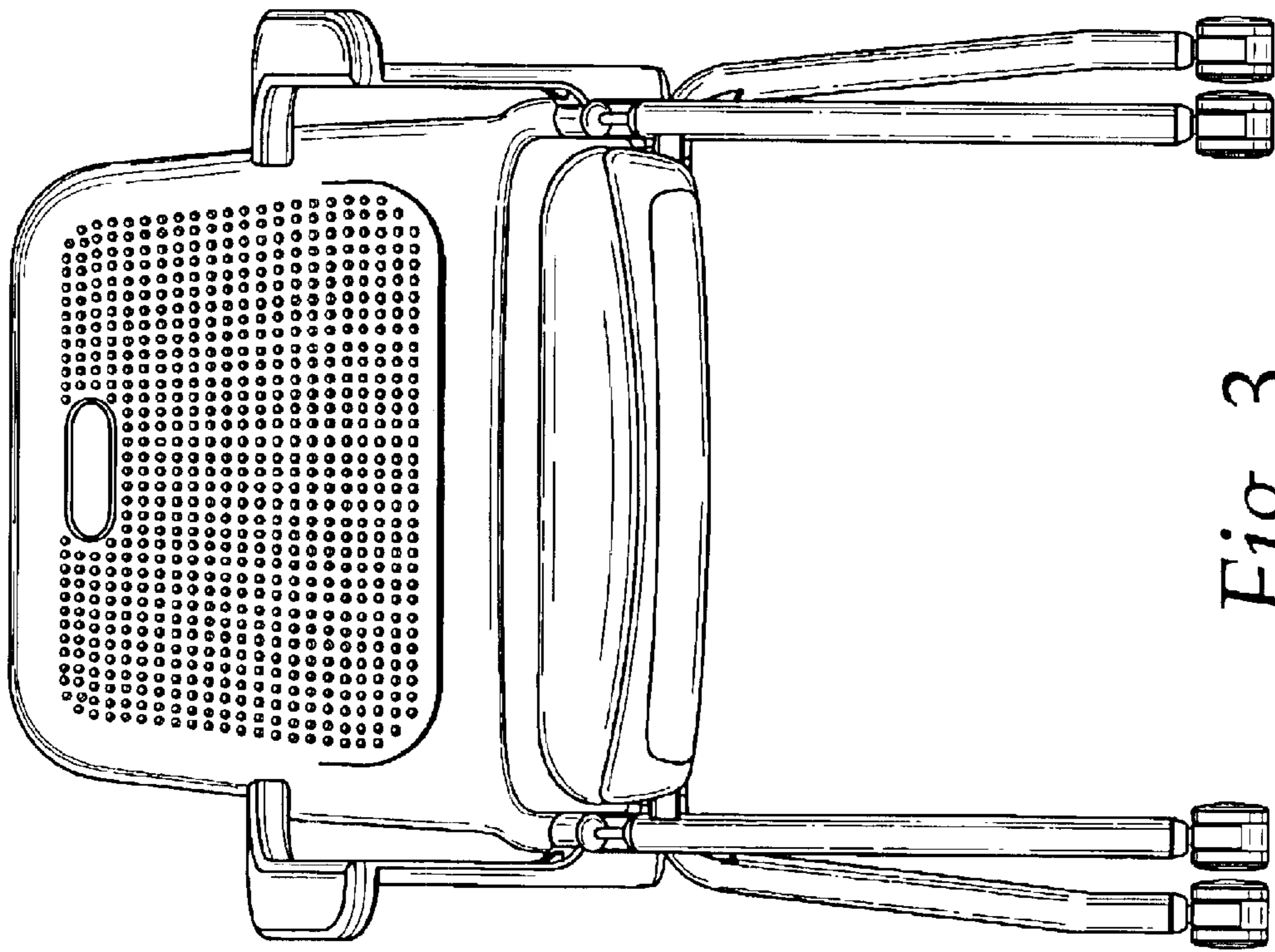
*Fig. 1*



*Fig. 2*



*Fig. 4*



*Fig. 3*

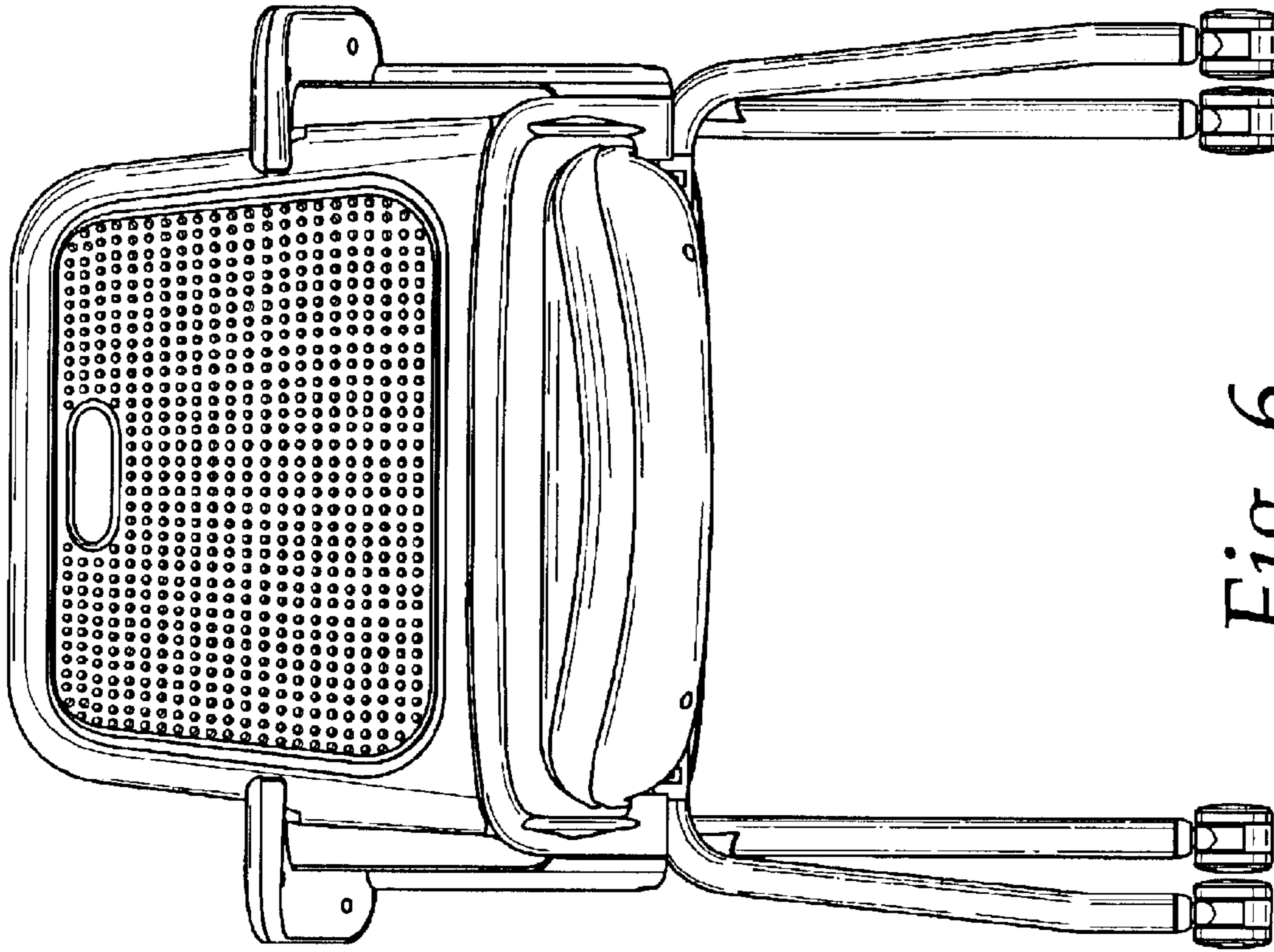


Fig. 6

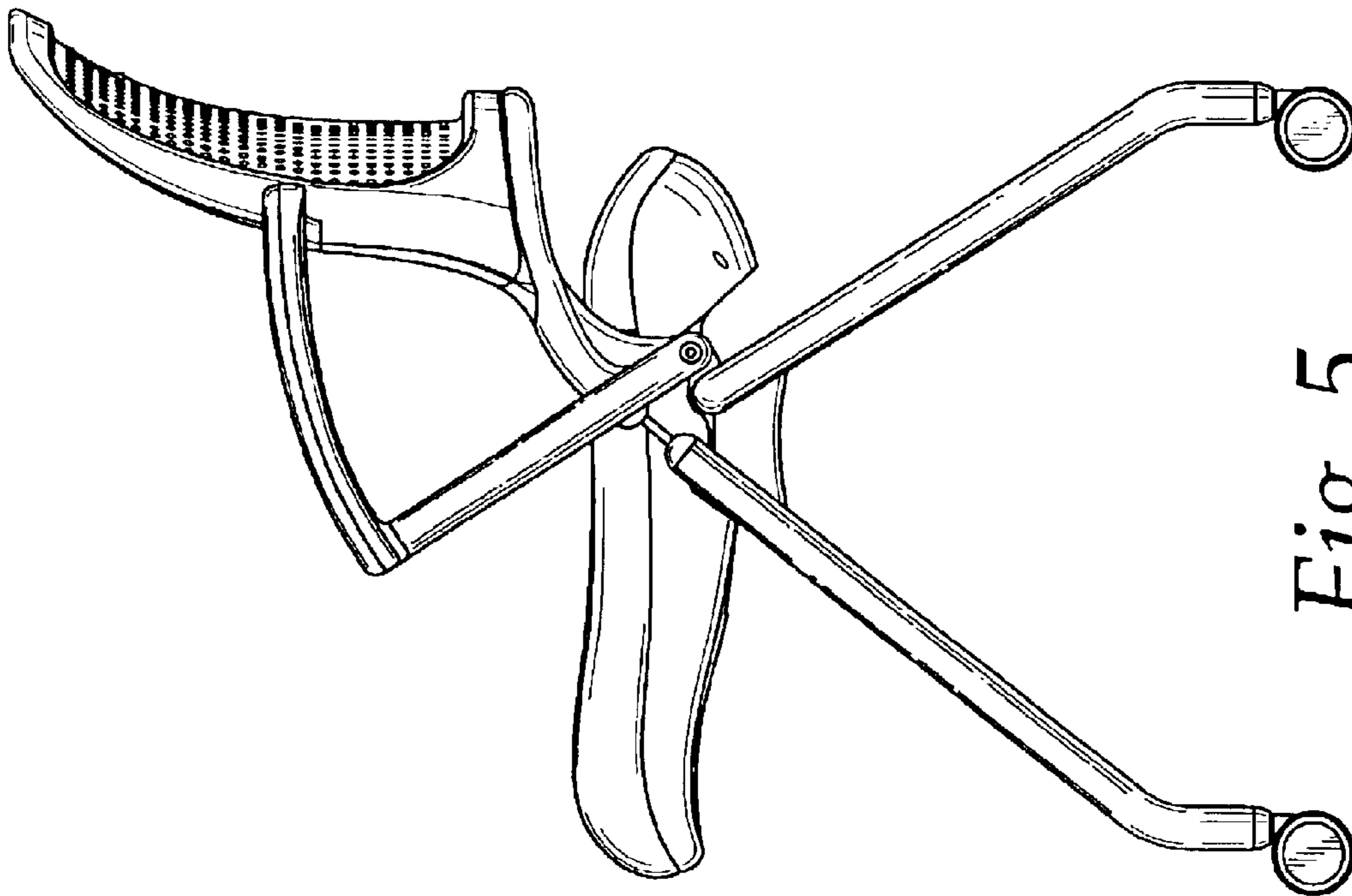


Fig. 5

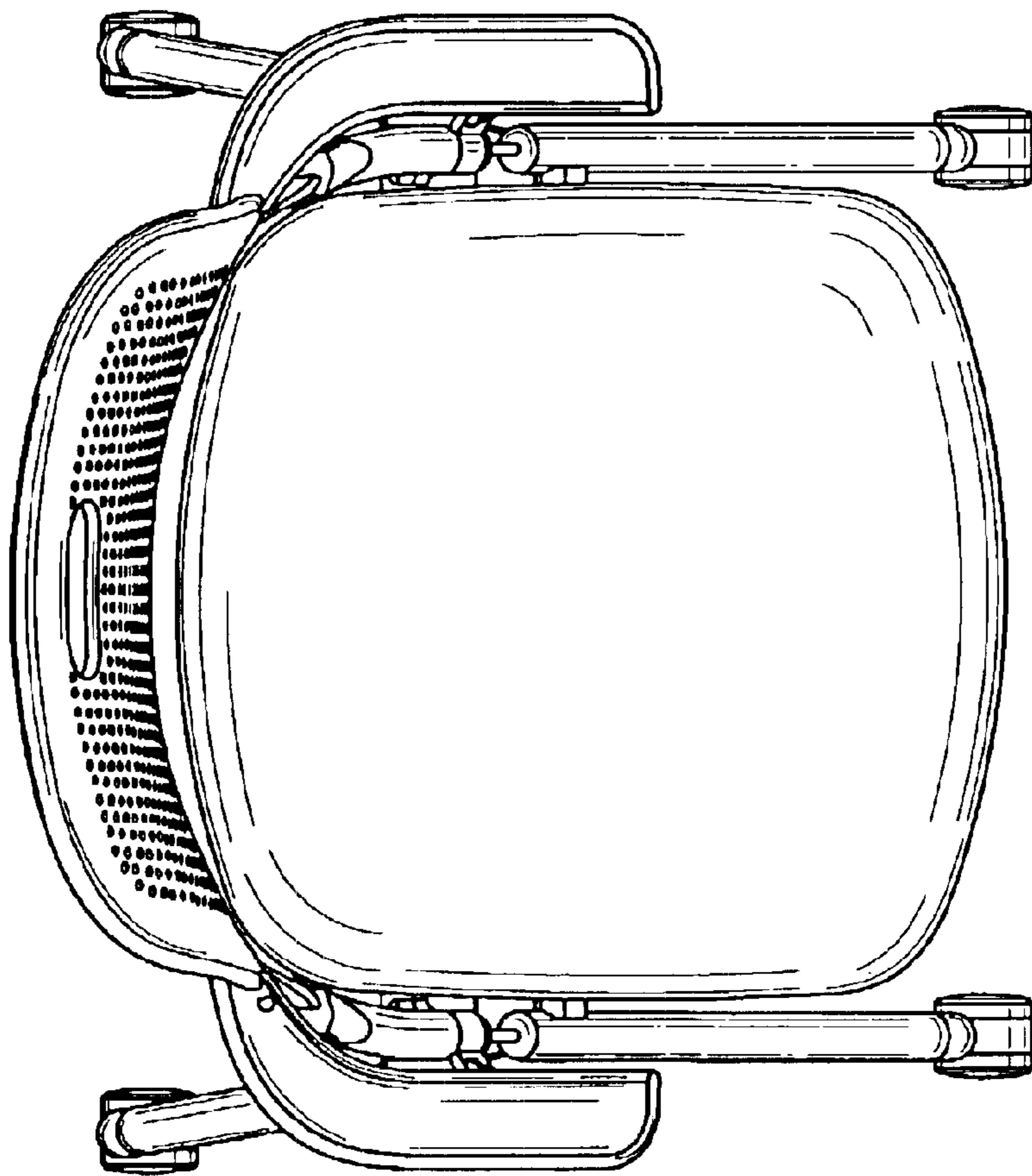


Fig. 7