



US00D505789S

(12) **United States Design Patent**
Nykoluk

(10) **Patent No.:** **US D505,789 S**
(45) **Date of Patent:** **** Jun. 7, 2005**

- (54) **HANDLE FOR ROLLING LUGGAGE**
- (75) **Inventor:** **Cory O. Nykoluk, Ballwin, MO (US)**
- (73) **Assignee:** **Cerf Brothers Bag Company, Earth City, MO (US)**
- (**) **Term:** **14 Years**
- (21) **Appl. No.:** **29/205,567**
- (22) **Filed:** **May 17, 2004**
- (51) **LOC (8) Cl.** **03-01**
- (52) **U.S. Cl.** **D3/318**
- (58) **Field of Search** D3/279, 282, 318, D3/328, 324; D8/302, 306, 316, 317, 319, 320; D34/24, 26; 190/18 A, 39, 102, 103, 111, 115; 280/37, 47.26, 655, 655.1; 16/110.1, 113.1, 114.1, 405, 406, 408, 445, 421, 422, 429, 430, 431

D488,299 S * 4/2004 Nykoluk D3/318
 D490,979 S * 6/2004 Nykoluk D3/318

* cited by examiner

Primary Examiner—Louis S. Zarfaz
Assistant Examiner—Monica A. Weingart
 (74) *Attorney, Agent, or Firm*—Polster, Lieder, Woodruff & Lucchesi, L.C.

(57) **CLAIM**

The ornamental design for a handle for rolling luggage, as shown and described.

DESCRIPTION

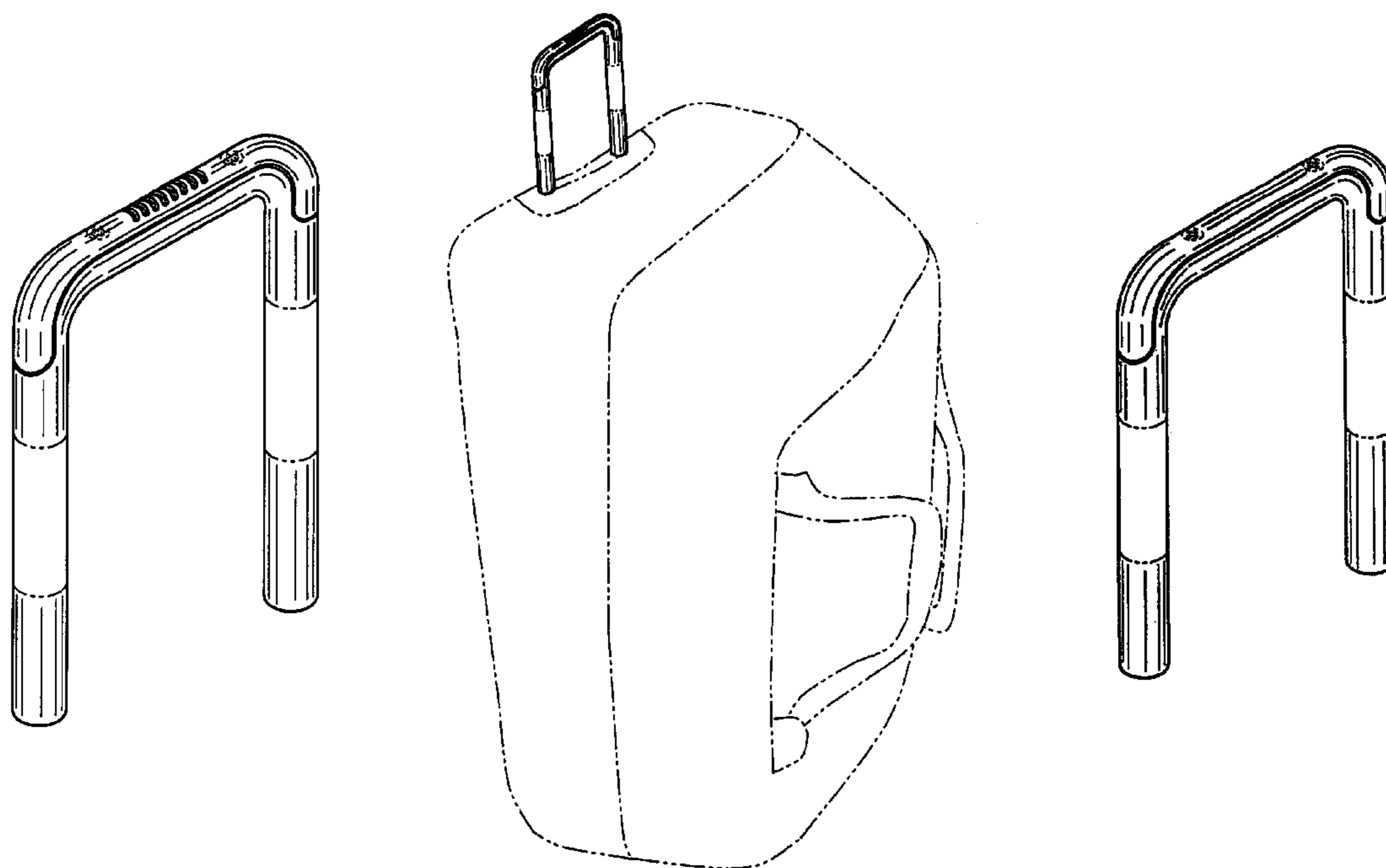
FIG. 1 is a perspective view of the handle for rolling luggage showing my new design;
 FIG. 2 is a right side elevational view, the left side being identical thereof;
 FIG. 3 is a front perspective view, the rear being identical thereof;
 FIG. 4 is a top plan view thereof;
 FIG. 5 is a bottom plan view thereof; and
 FIG. 6 is an additional perspective view thereof;
 FIG. 7 is a perspective view showing a second embodiment thereof;
 FIG. 8 is a right side elevational view, the left side being identical thereof;
 FIG. 9 is a front perspective view, the rear being identical thereof;
 FIG. 10 is a top plan view thereof;
 FIG. 11 a bottom plan view thereof; and,
 FIG. 12 is an additional perspective view thereof.
 The broken line showing, in the views, is for illustrative purposes only and forms no part of the claimed design.

(56) **References Cited**

U.S. PATENT DOCUMENTS

- D118,464 S * 1/1940 Westgaard D8/317
- D168,362 S * 12/1952 Lurie D8/317
- D295,827 S * 5/1988 Benjamin D8/317
- D323,281 S * 1/1992 Young D8/317
- 5,335,759 A 8/1994 Yeh
- 5,499,426 A 3/1996 Hsieh
- 5,788,032 A 8/1998 Krulik
- 5,842,673 A 12/1998 Fenton
- 6,213,267 B1 4/2001 Miller
- D457,320 S 5/2002 Beedham
- D472,713 S 4/2003 Lee
- 6,550,651 B1 4/2003 Murdoch et al.
- D475,199 S 6/2003 Nykoluk

1 Claim, 4 Drawing Sheets



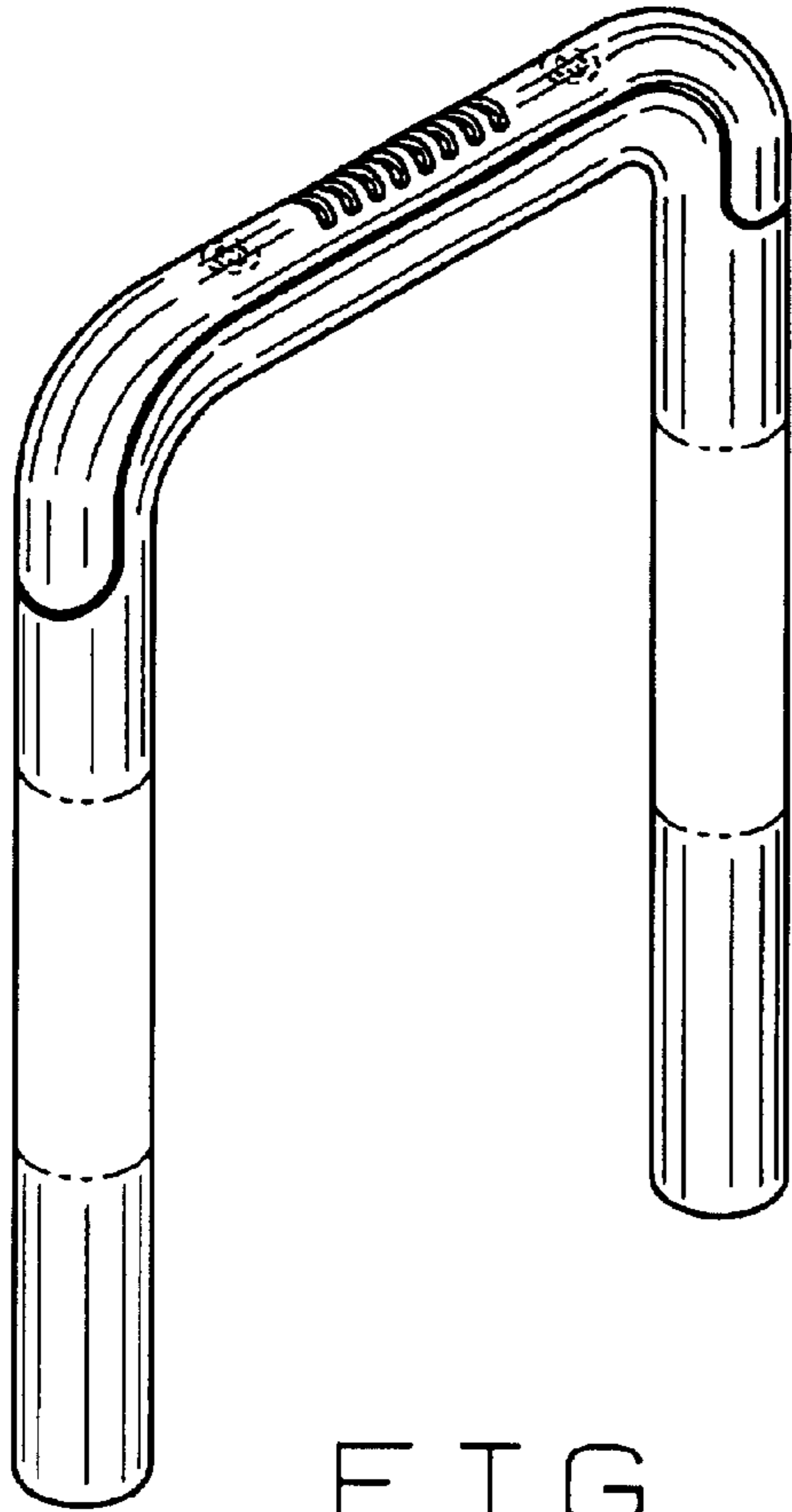


FIG. 1

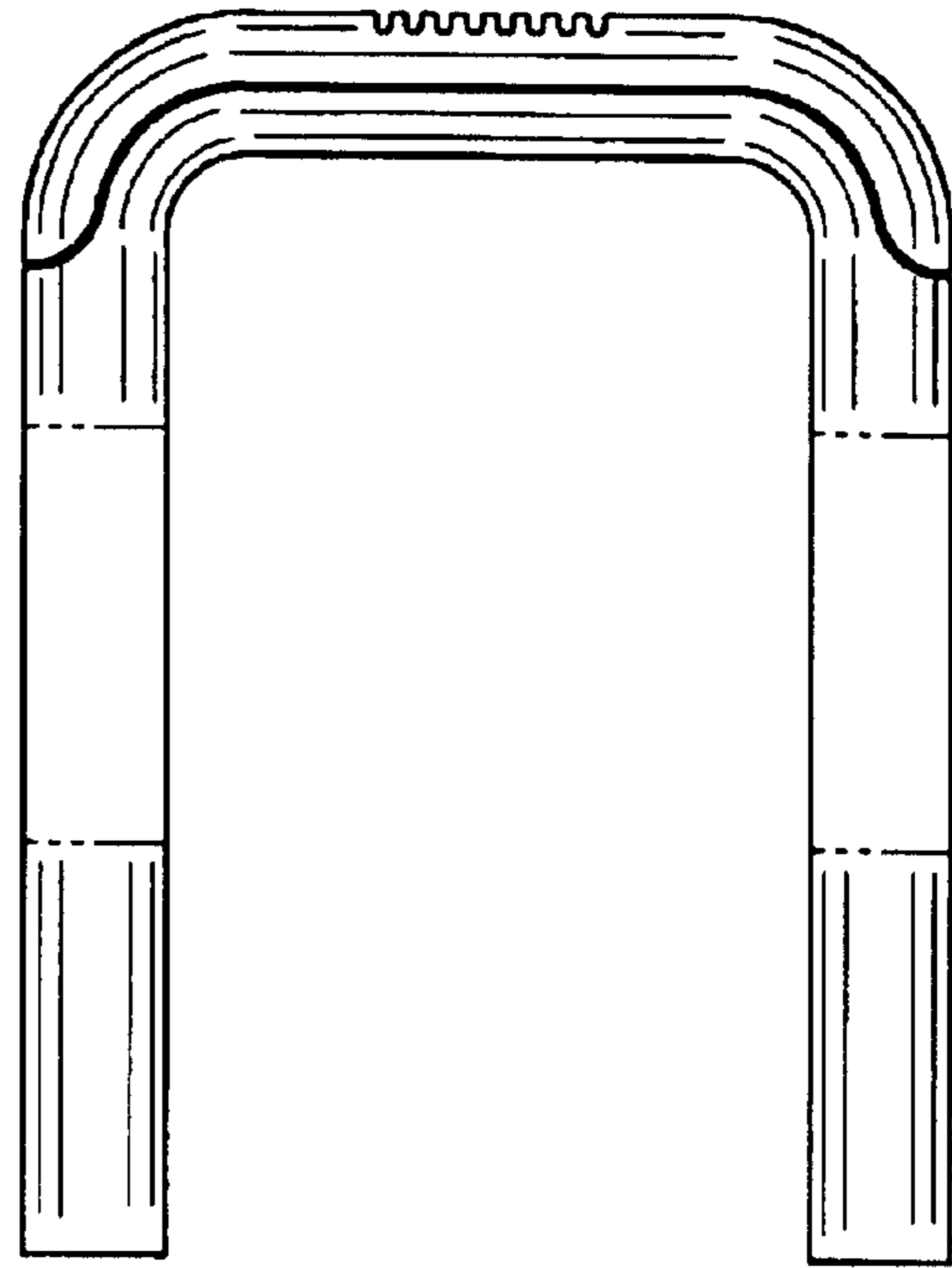


FIG. 2



FIG. 3



FIG. 4

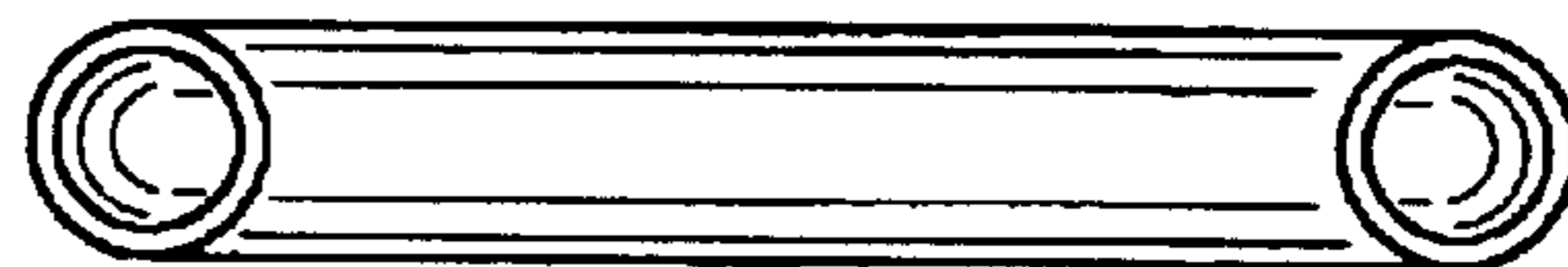


FIG. 5

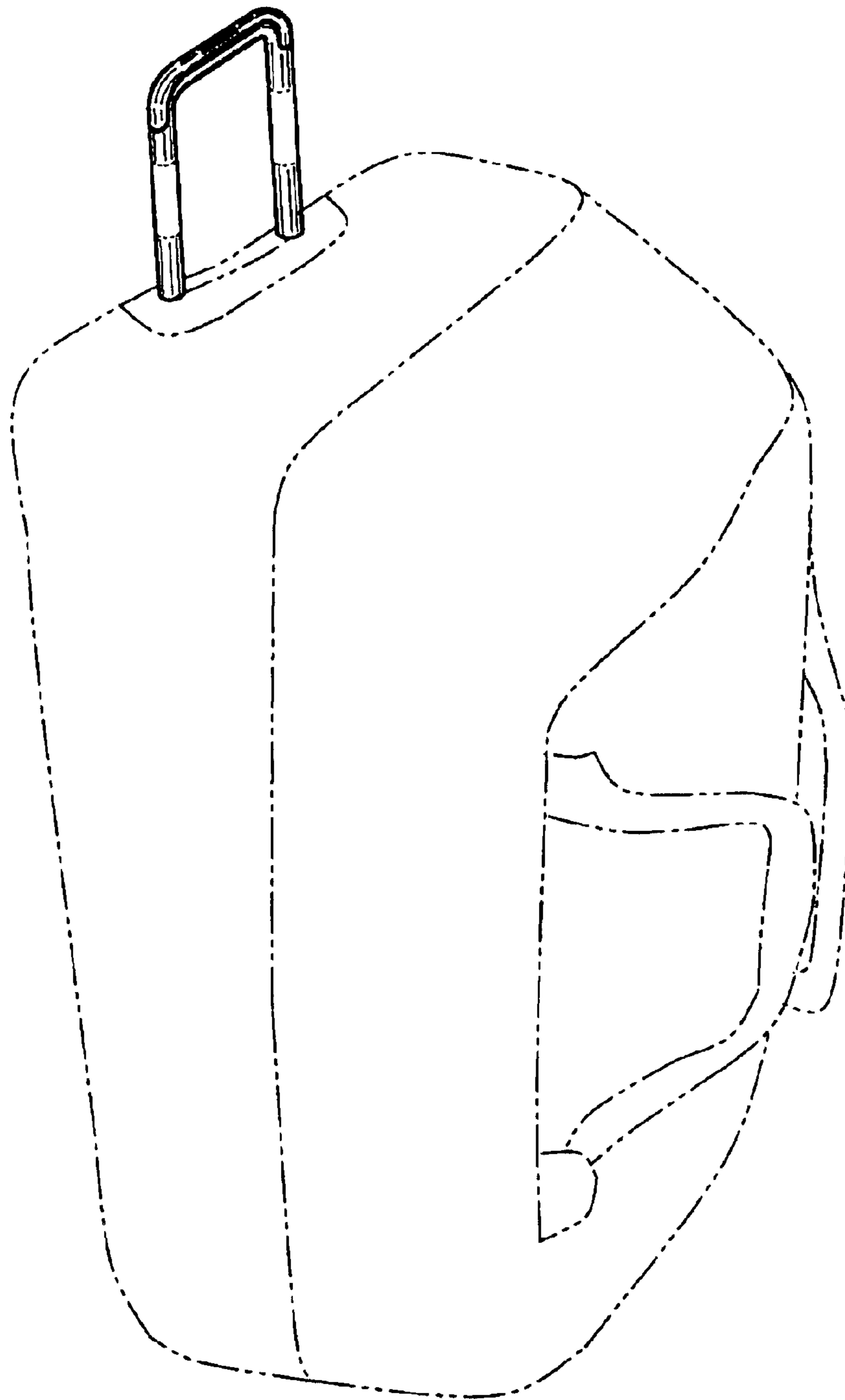


FIG. 6

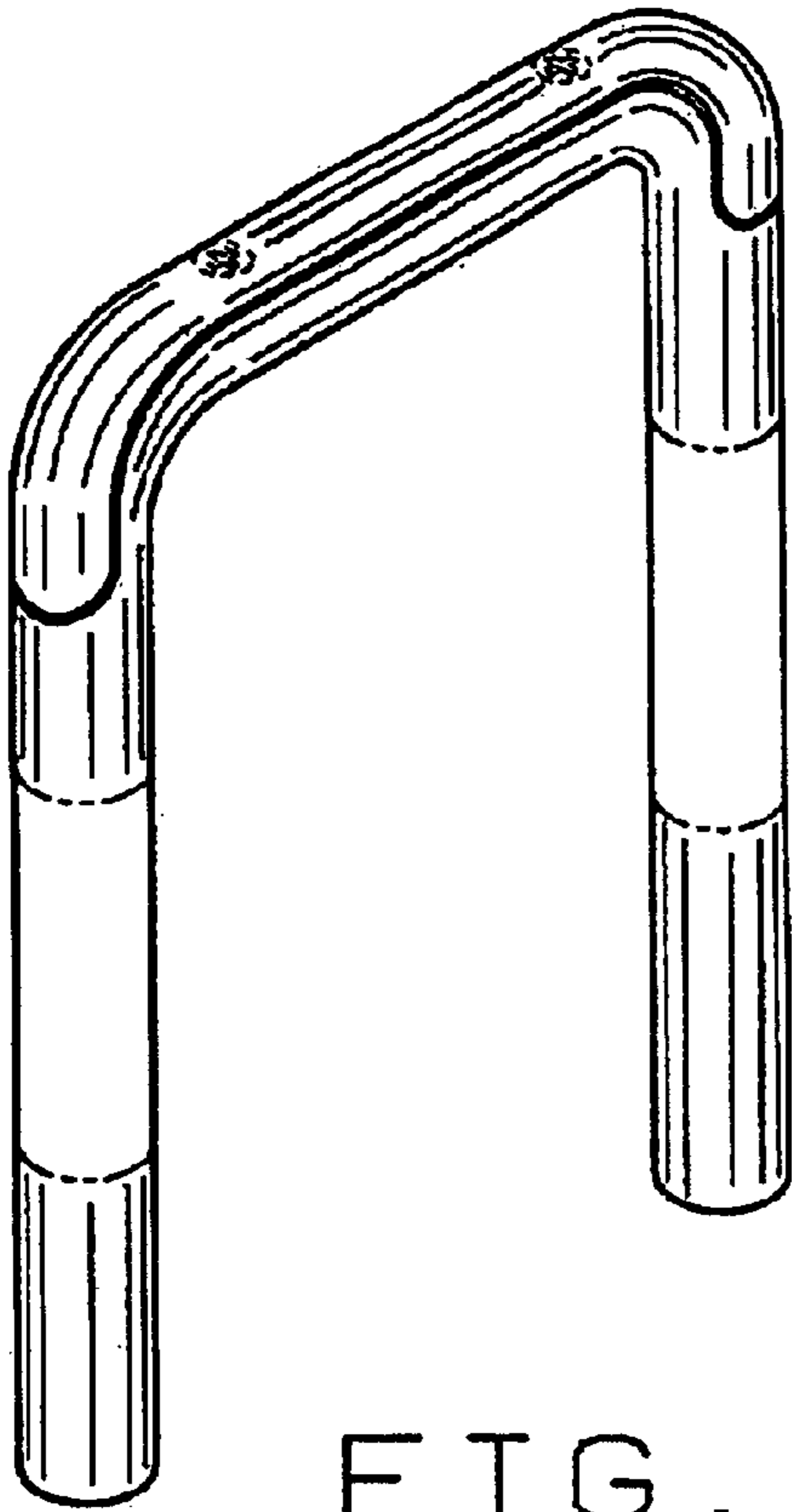


FIG. 7

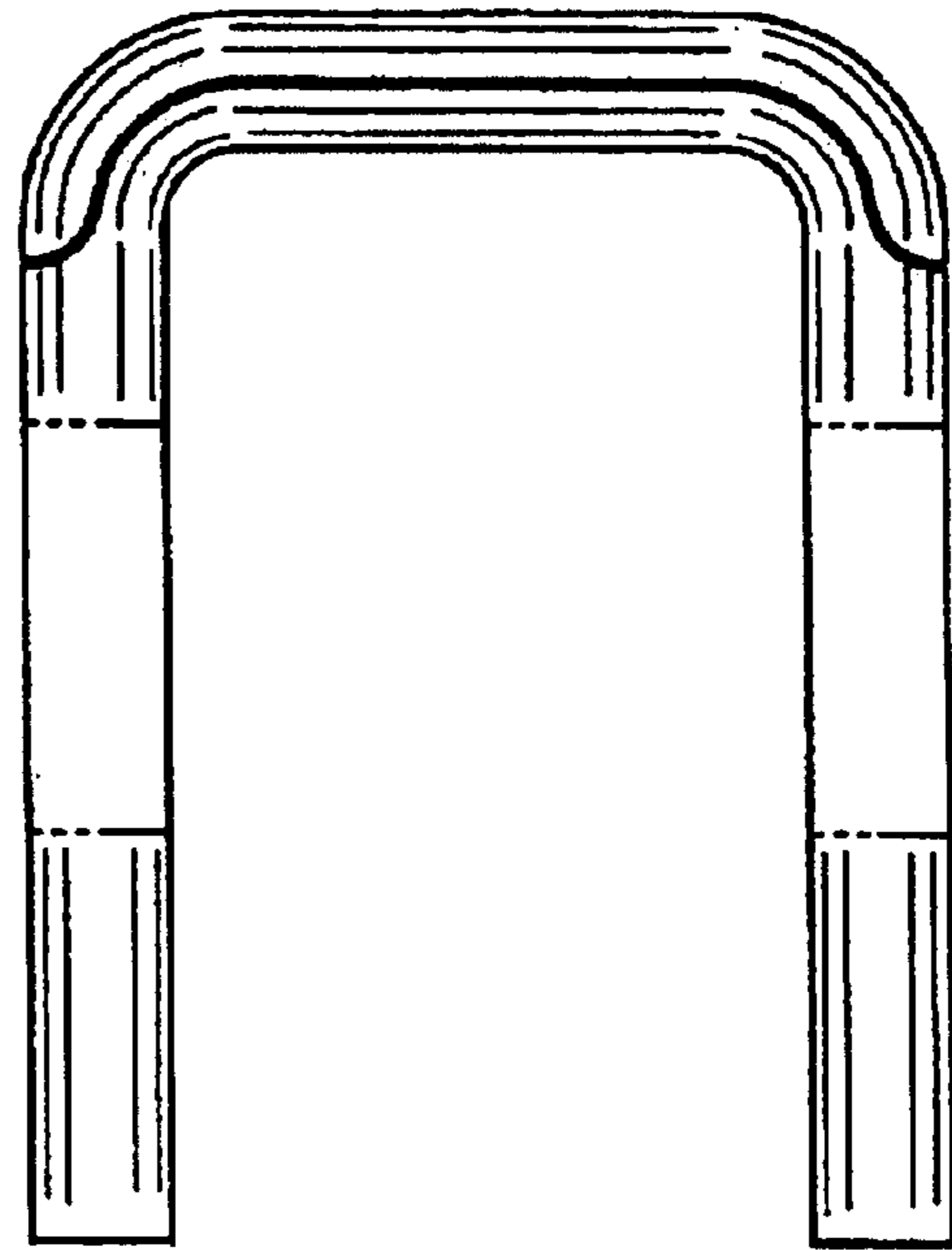


FIG. 8

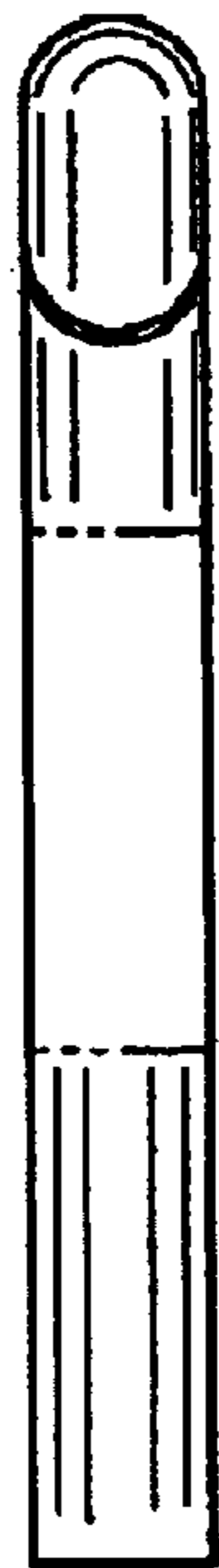


FIG. 9

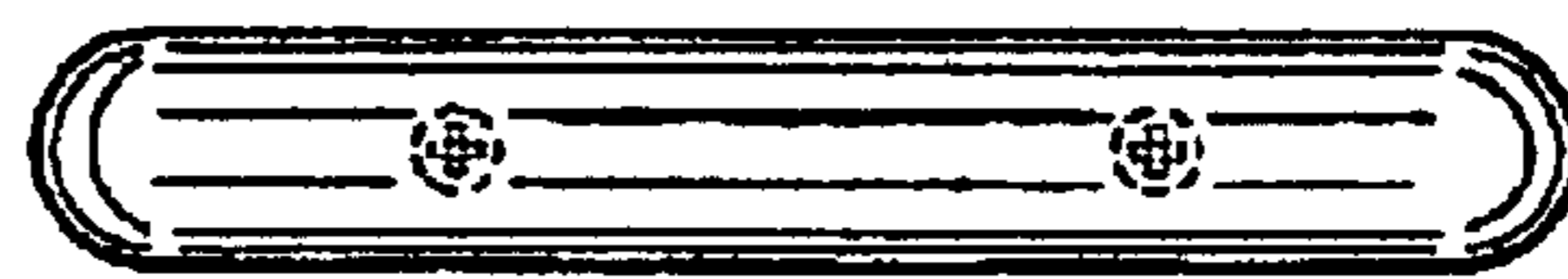


FIG. 10

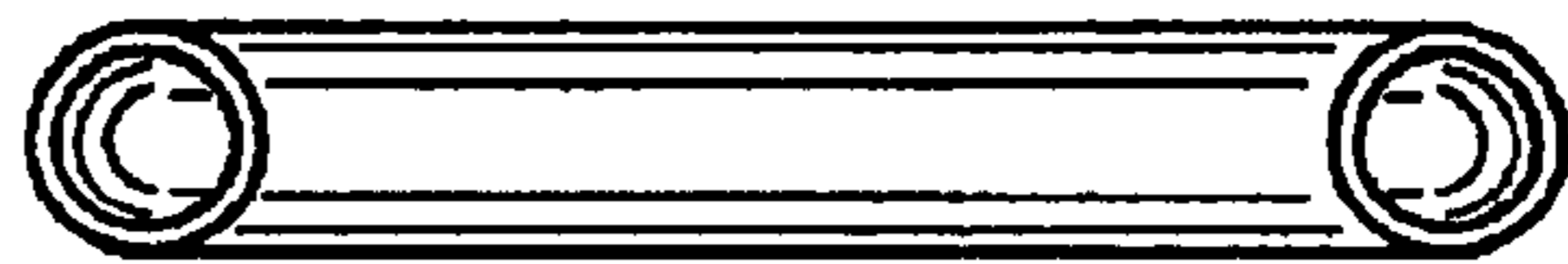


FIG. 11

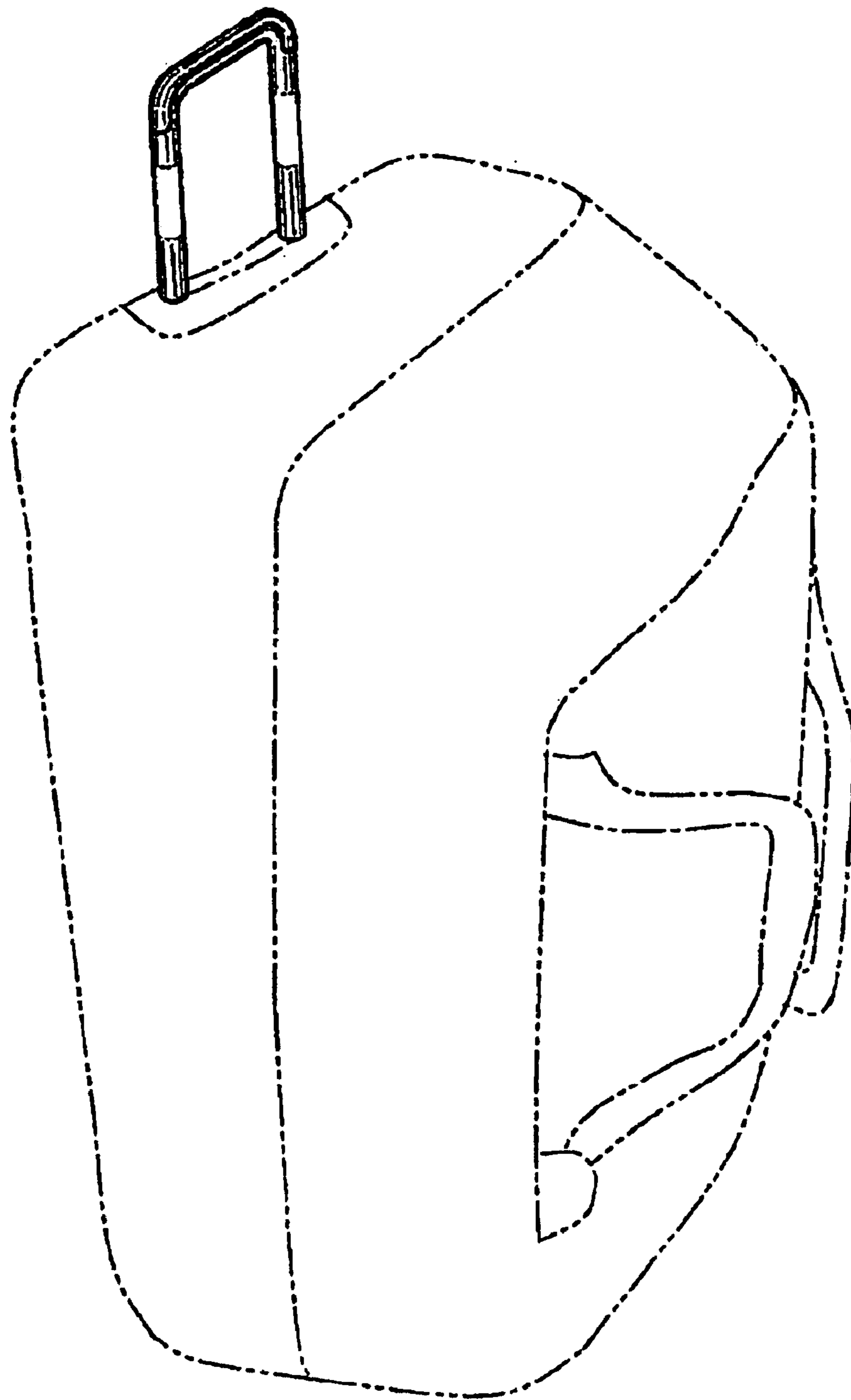


FIG. 12