

US00D505788S

(12) **United States Design Patent**
Sorrenti et al.

(10) **Patent No.: US D505,788 S**

(45) **Date of Patent: ** Jun. 7, 2005**

(54) **STACKING CATERING CONTAINER**

(75) Inventors: **Padraig R. Sorrenti**, Calgary (CA);
Jordan R. Sorrenti, Gabriola Island (CA)

(73) Assignee: **PaddyRacks Inc.**, Calgary (CA)

(**) Term: **14 Years**

(21) Appl. No.: **29/196,799**

(22) Filed: **Jan. 7, 2004**

(51) **LOC (8) Cl.** **03-01**

(52) **U.S. Cl.** **D3/304; D3/312**

(58) **Field of Search** **D3/304-315; D19/92;**
206/203, 214, 215, 555, 307.1, 501, 503,
518, 557, 564, 821, 822; 211/126.1, 126.2,
126.7; 229/407

(56) **References Cited**

U.S. PATENT DOCUMENTS

D108,024 S * 1/1938 Stone D19/92

D245,170 S * 7/1977 Evenson D19/92
D263,185 S * 3/1982 Scholl D6/300
D380,299 S * 7/1997 Schlaeger et al. D3/310
D391,687 S * 3/1998 McMahon D30/118

* cited by examiner

Primary Examiner—Louis S. Zarfaz

Assistant Examiner—John Windmuller

(74) *Attorney, Agent, or Firm*—Sean W. Goodwin

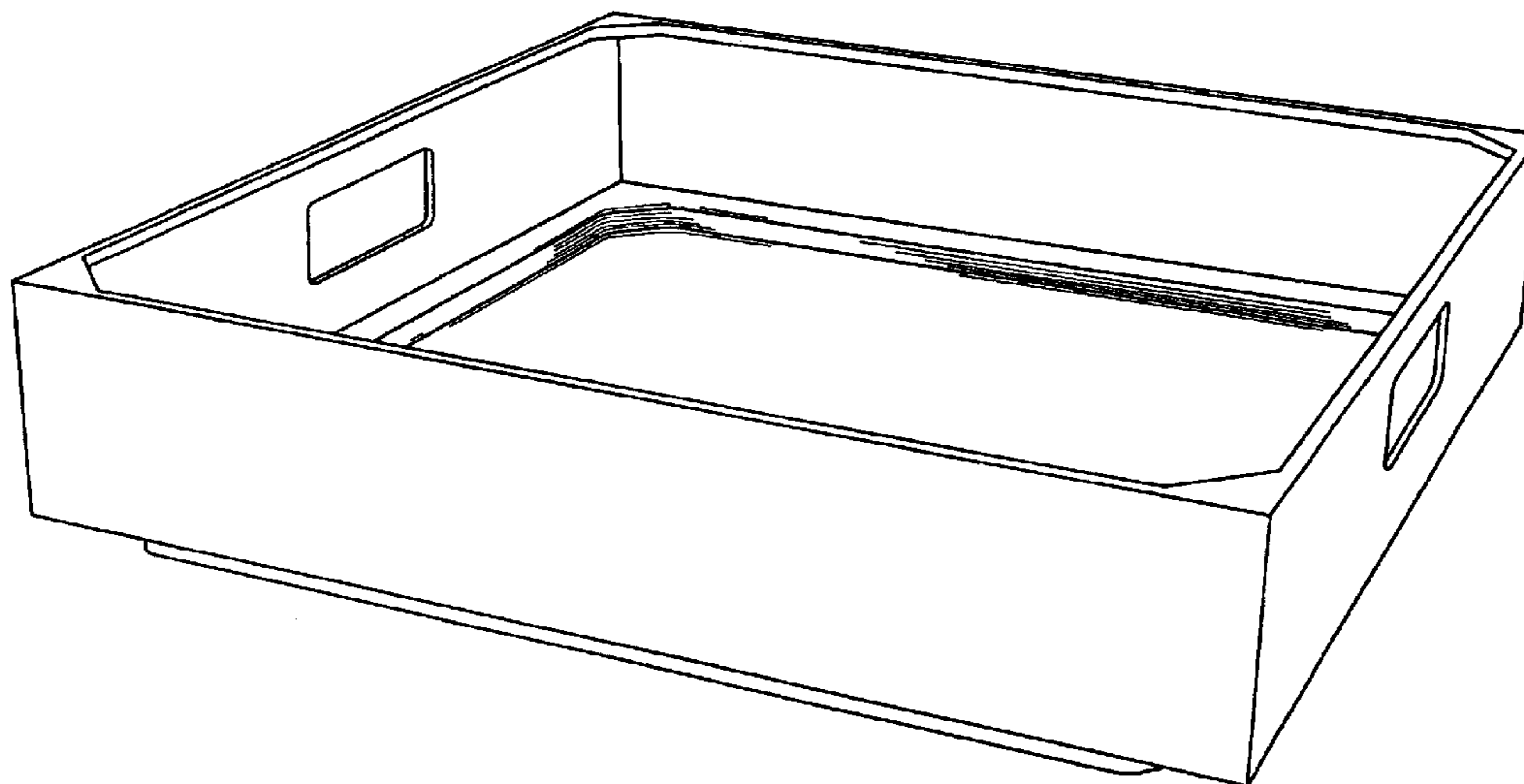
(57) **CLAIM**

The ornamental design for a stacking catering container, as shown and described.

DESCRIPTION

FIG. 1 is a front perspective view of the catering container; FIG. 2 is a plan view according to FIG. 1; FIG. 3 is a bottom view according to FIG. 1; FIG. 4 is a front view according to FIG. 1, front and back views being identical; and, FIG. 5 is a side view according to FIG. 1, right and left sides being identical.

1 Claim, 5 Drawing Sheets



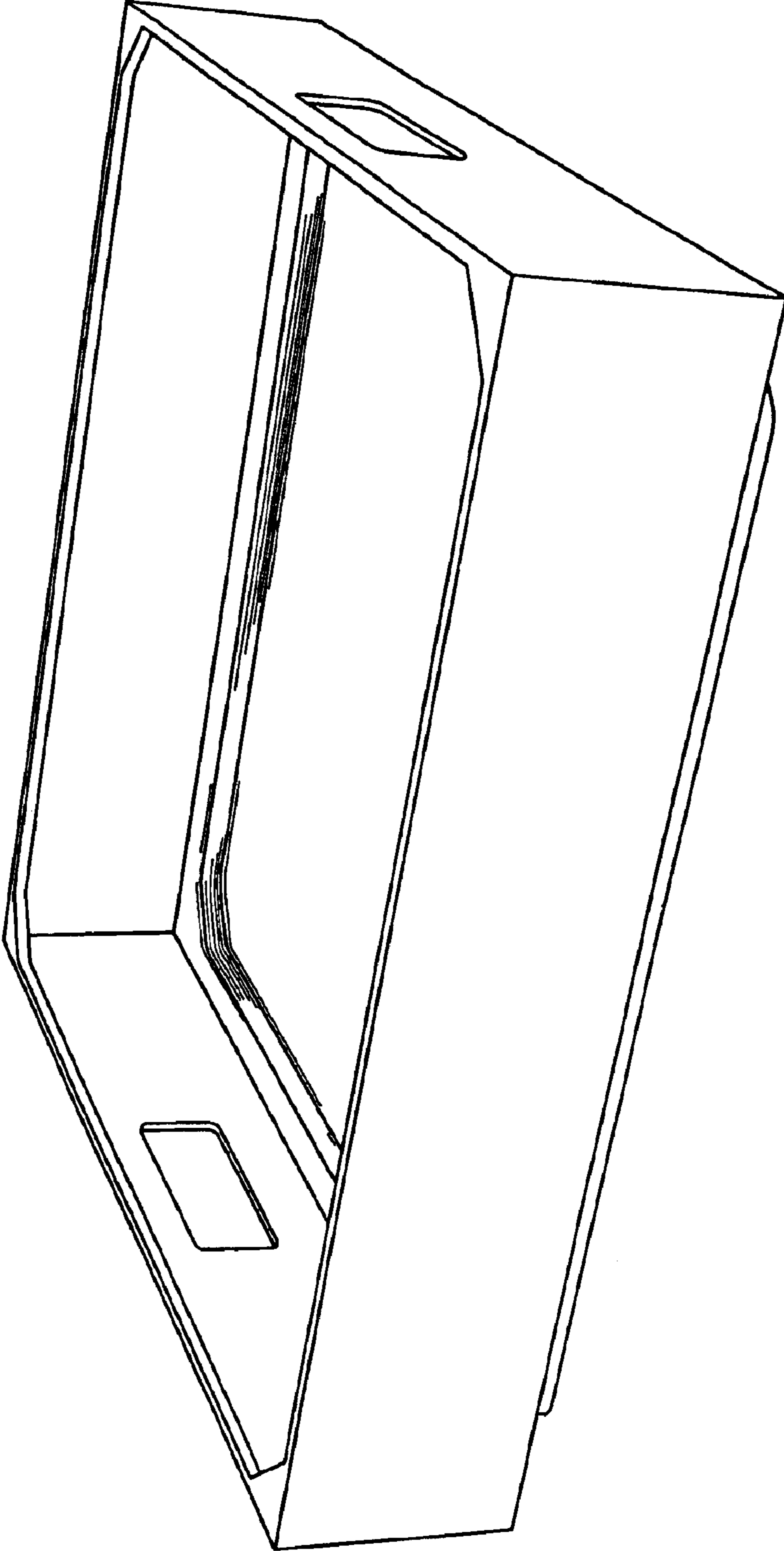


Fig. 1

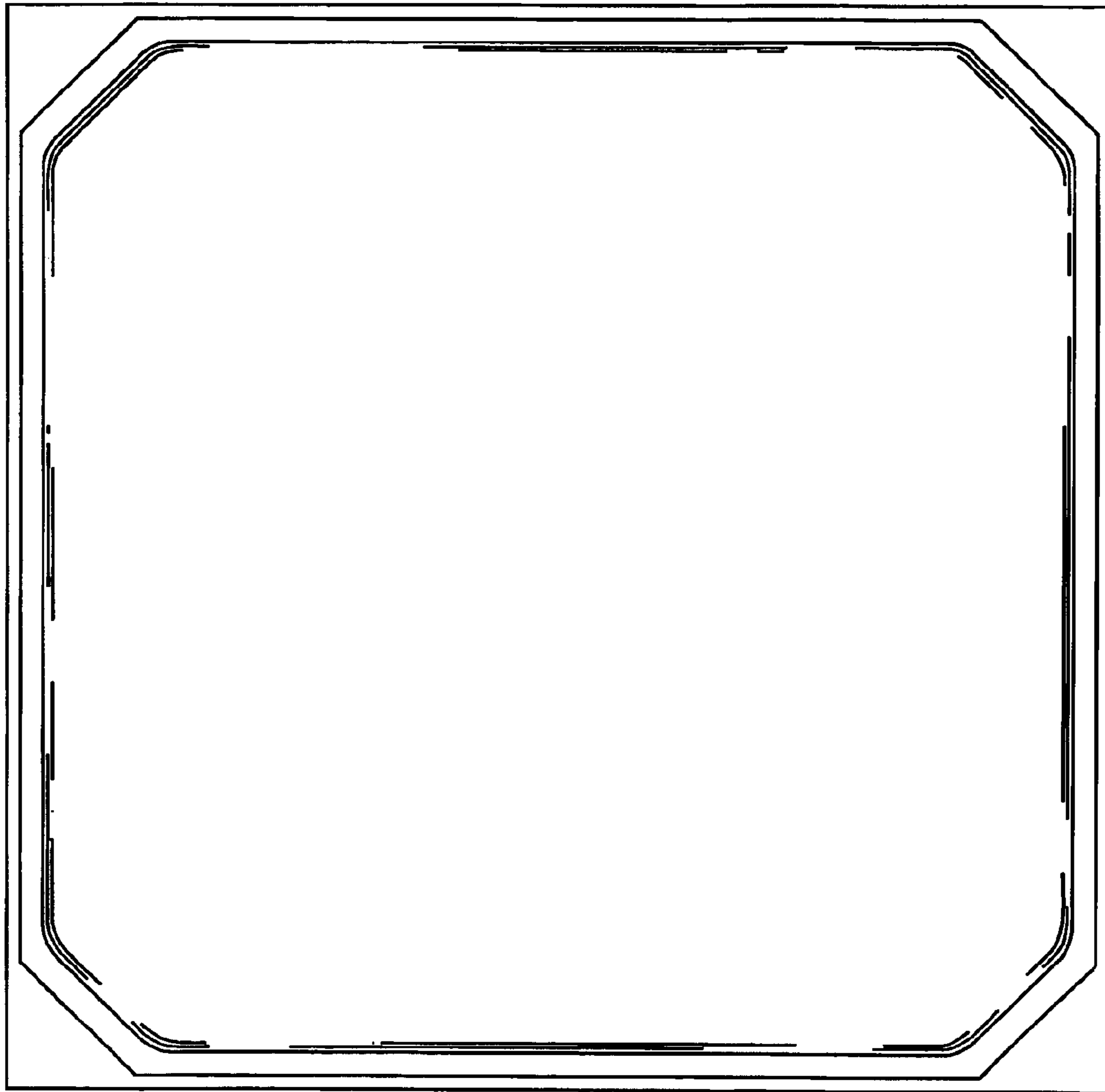


Fig. 2

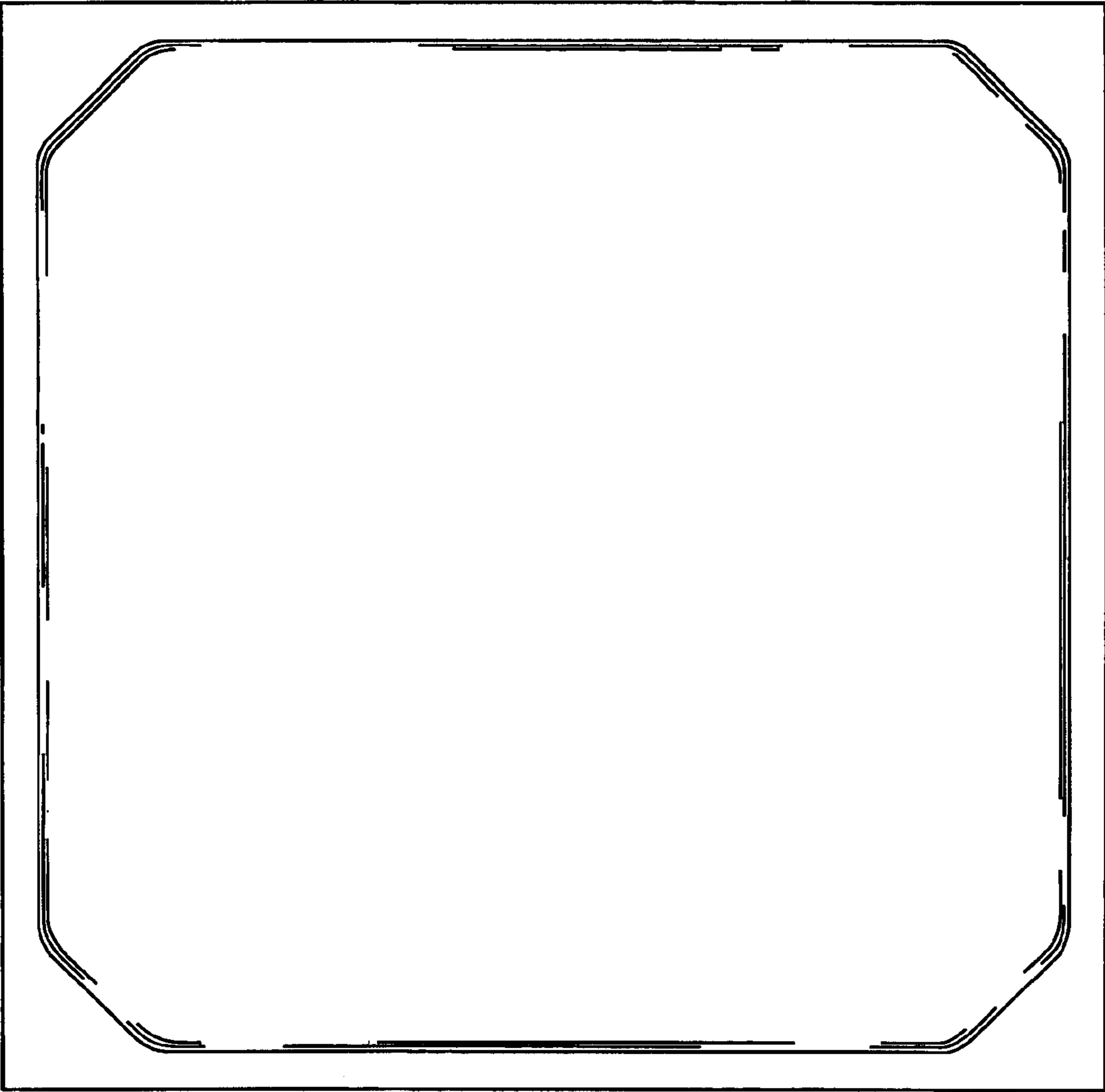


Fig. 3

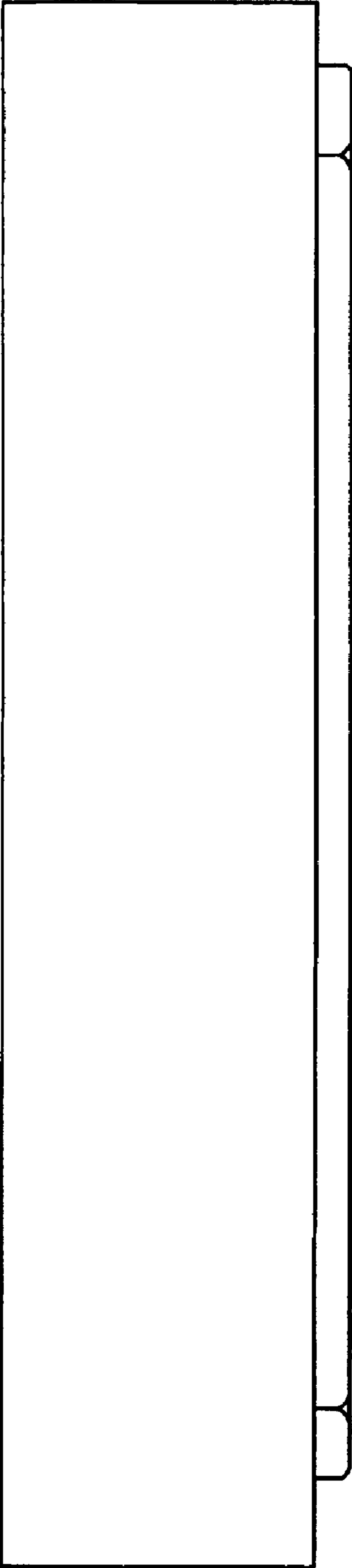


Fig. 4

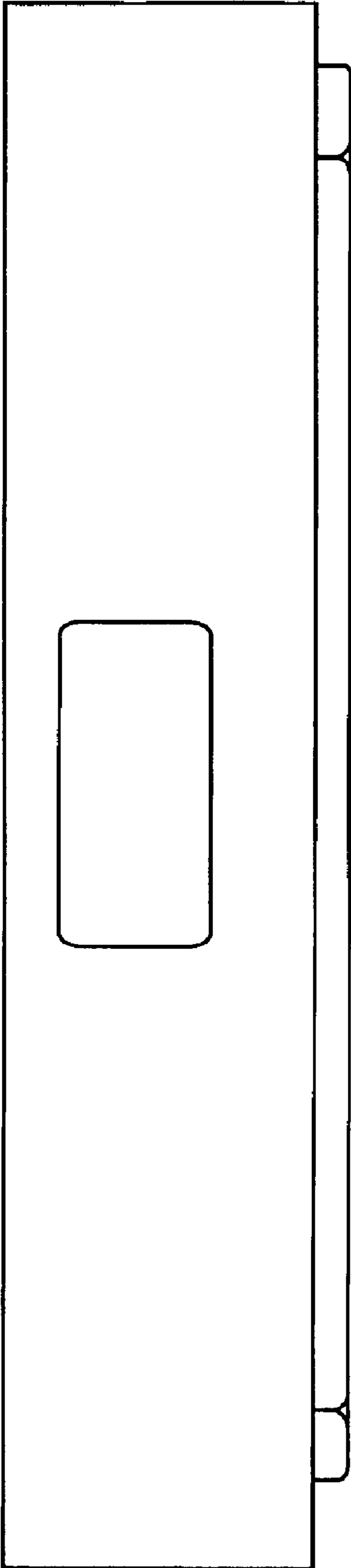


Fig. 5