

US00D505778S

(12) **United States Design Patent**  
**McClaskie**

(10) **Patent No.:** **US D505,778 S**

(45) **Date of Patent:** **\*\* Jun. 7, 2005**

(54) **OUTSOLE FOR A SHOE**  
(75) **Inventor:** **Thomas E. McClaskie**, Bethlehem, PA  
(US)

(73) **Assignee:** **Columbia Insurance Company**,  
Omaha, NE (US)

(\*\*) **Term:** **14 Years**

(21) **Appl. No.:** **29/197,856**

(22) **Filed:** **Jan. 21, 2004**

(51) **LOC (8) Cl.** ..... **02-04**

(52) **U.S. Cl.** ..... **D2/959; D2/951; D2/954;**  
**D2/955; D2/956; D2/957; D2/960**

(58) **Field of Search** ..... **D2/947, 950-957,**  
**D2/959, 960; 36/3 B, 22 R, 25 R, 30 R,**  
**32 A, 32 R, 35 R, 59 R, 59 C, 67 A, 67 B,**  
**7.6, 7.7, 24.5, 114, 37**

(56) **References Cited**

**U.S. PATENT DOCUMENTS**

D18,593 S	*	9/1888	Watkinson	.....	D2/957
D159,466 S	*	8/1950	Baltzer	.....	D2/957
D185,116 S	*	5/1959	Bingham, Jr. et al.	.....	D2/957
D203,577 S	*	2/1966	Weinberg	.....	D2/957
5,083,385 A	*	1/1992	Halford	.....	36/101
D346,480 S	*	5/1994	Davidson	.....	D2/961
D370,993 S	*	6/1996	Mangee	.....	D2/959

D390,351 S	*	2/1998	Nevens et al.	.....	D2/960
D426,947 S	*	6/2000	Pollastrelli	.....	D2/956
D446,636 S	*	8/2001	McClaskie	.....	D2/957
D447,863 S	*	9/2001	Starck	.....	D2/956

\* cited by examiner

*Primary Examiner*—Celia A. Murphy

(74) *Attorney, Agent, or Firm*—St. Onge Steward Johnston  
& Reens LLC

(57) **CLAIM**

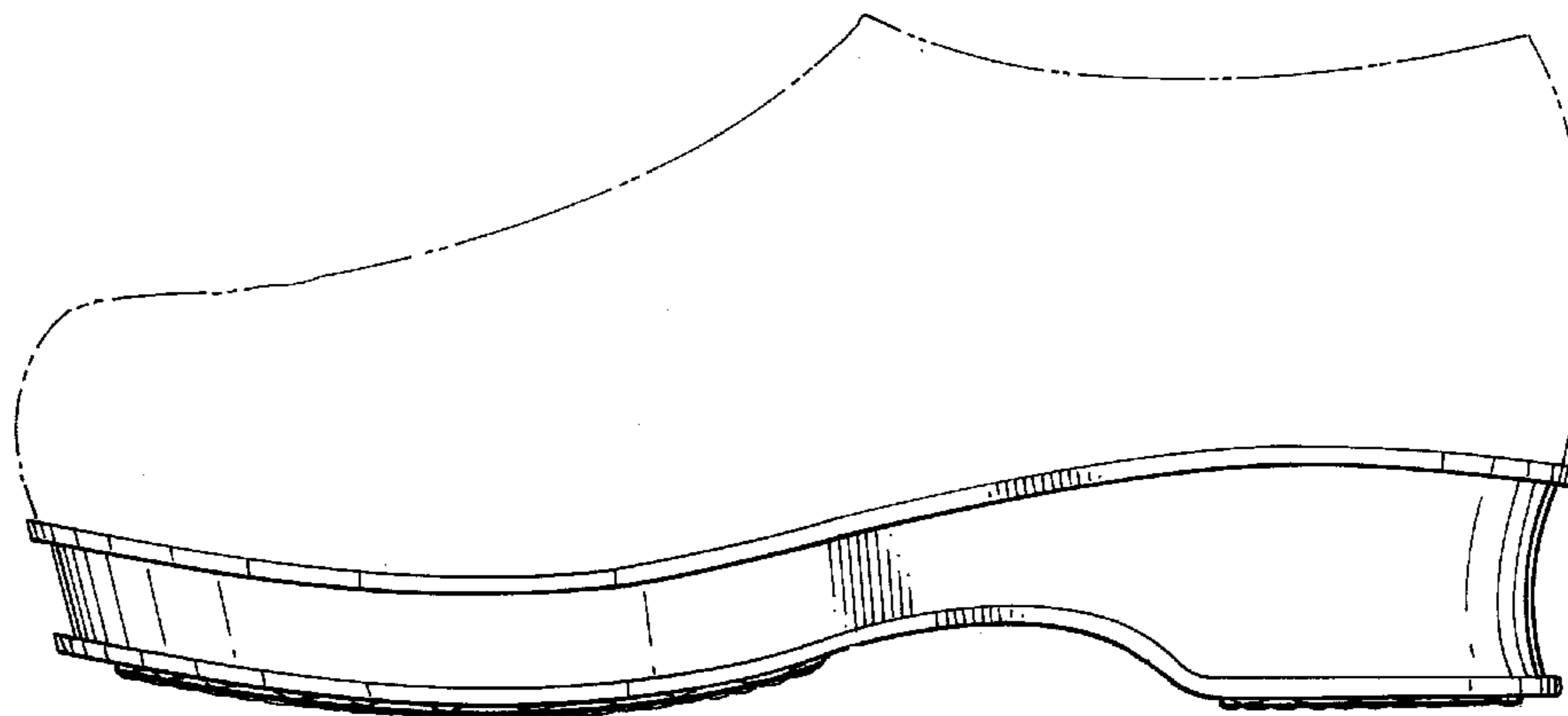
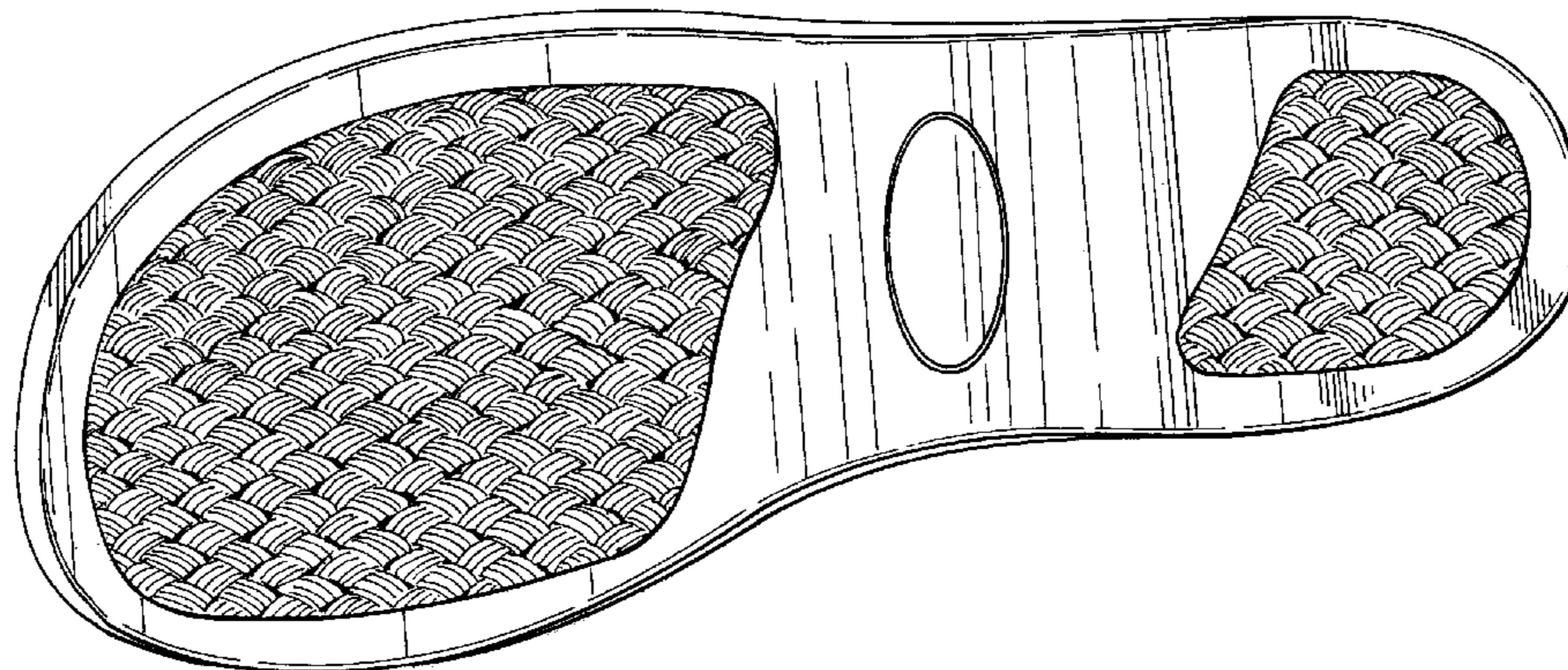
I claim the ornamental design for an outsole for a shoe, as shown and described.

**DESCRIPTION**

FIG. 1 is a bottom view of an outsole for a shoe showing my new design;  
FIG. 2 is a right side view thereof;  
FIG. 3 is a left side view thereof;  
FIG. 4 is a front view thereof;  
FIG. 5 is a rear view thereof;  
FIG. 6 is an enlarged fragmentary perspective view of the area referenced as "6" in FIG. 1; and,  
FIG. 7 is a cross sectional view taken on line 7—7 of FIG. 6.

The broken lines showing a shoe upper in FIGS. 2-5, and the broken lines showing the internal surface in FIG. 7, illustrate the portions of the design that form no part of the claim.

**1 Claim, 5 Drawing Sheets**



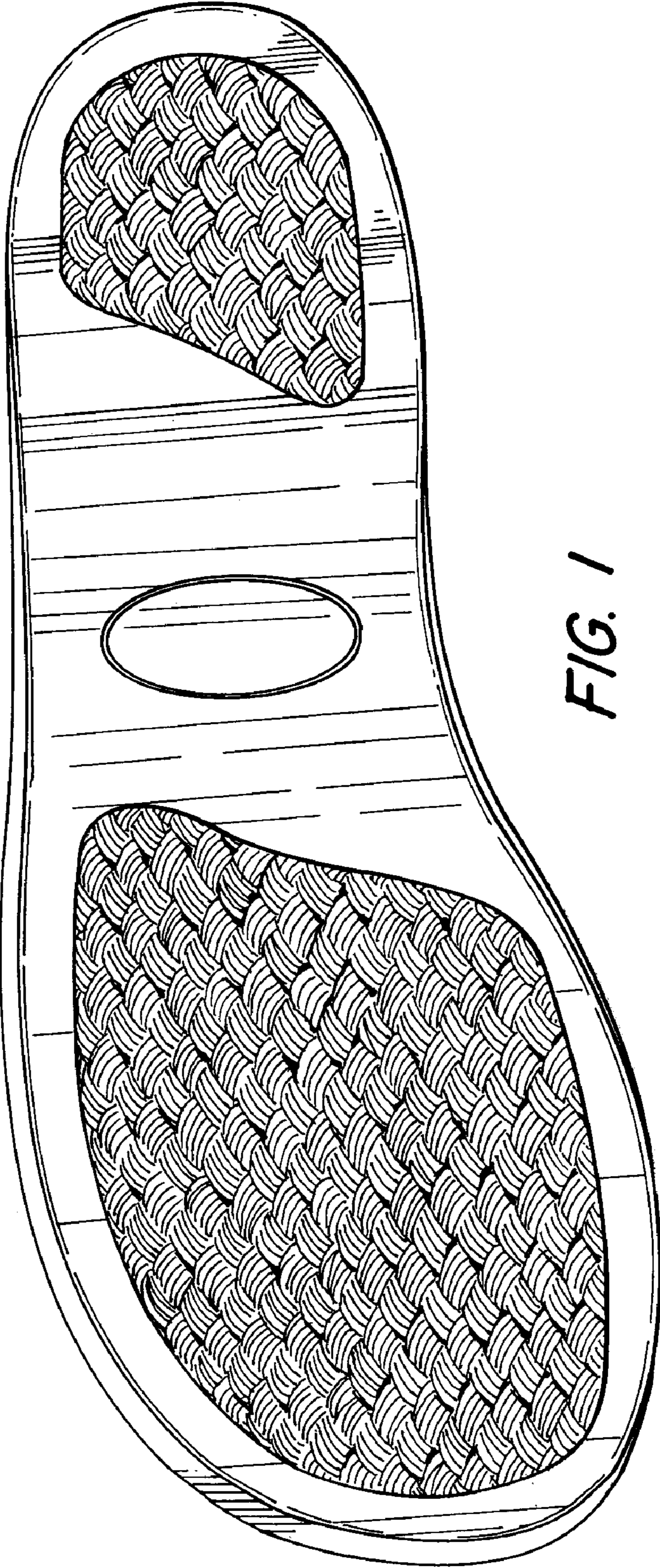


FIG. 1

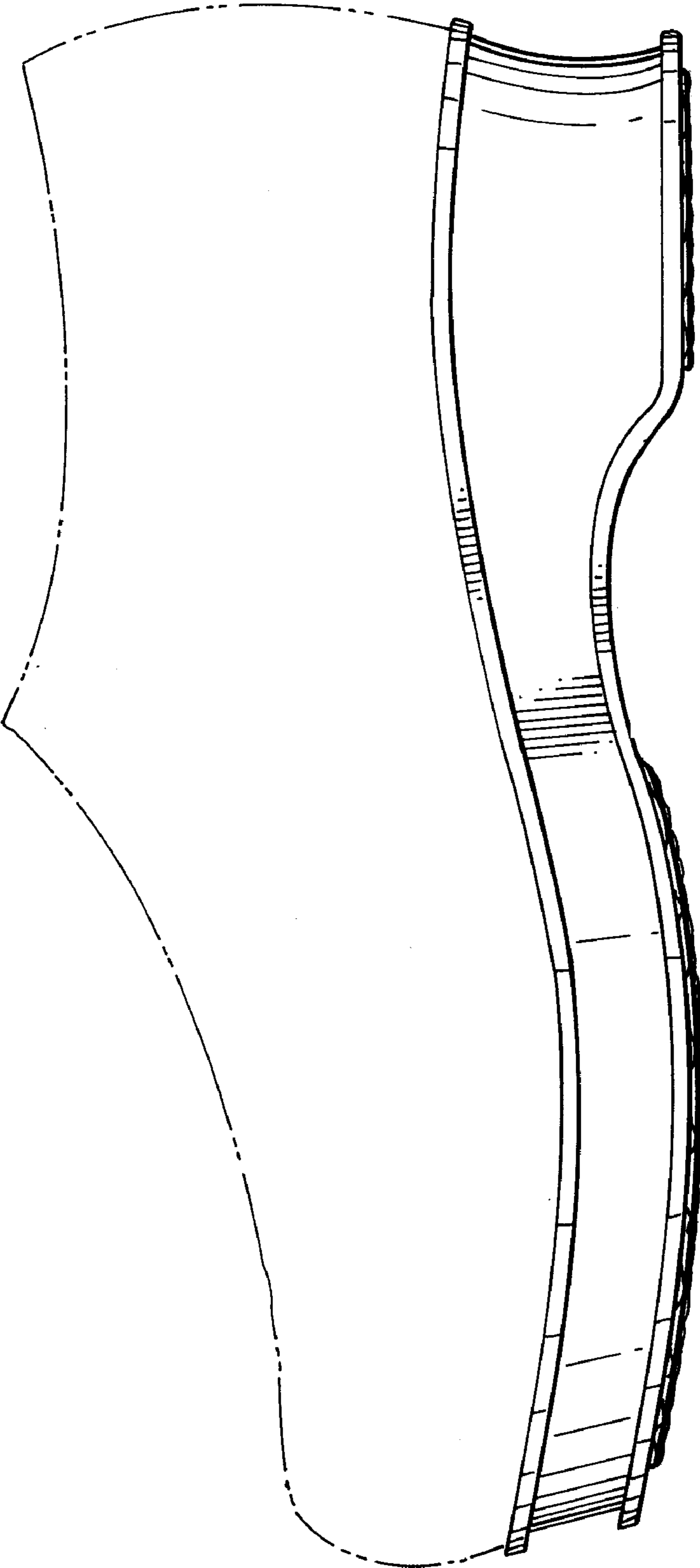


FIG. 2

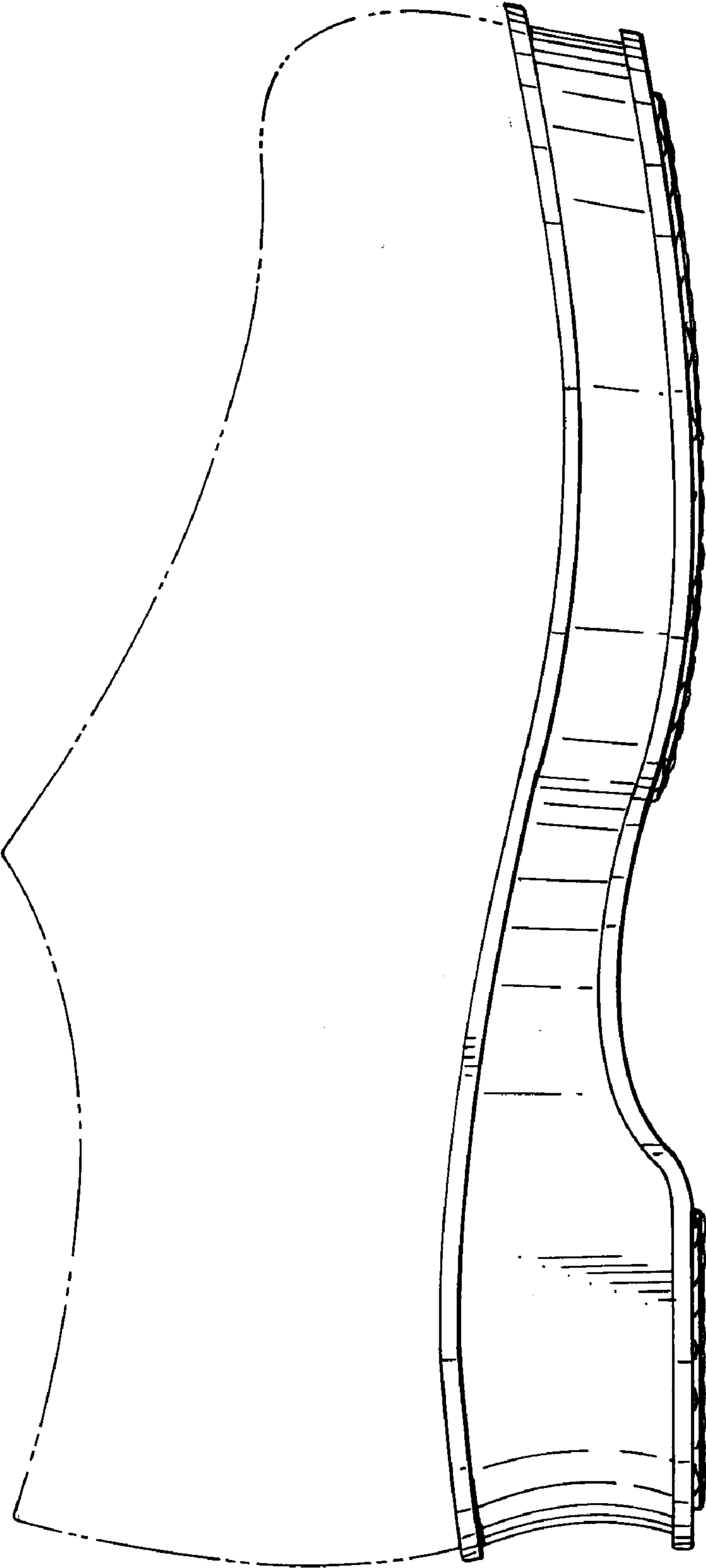
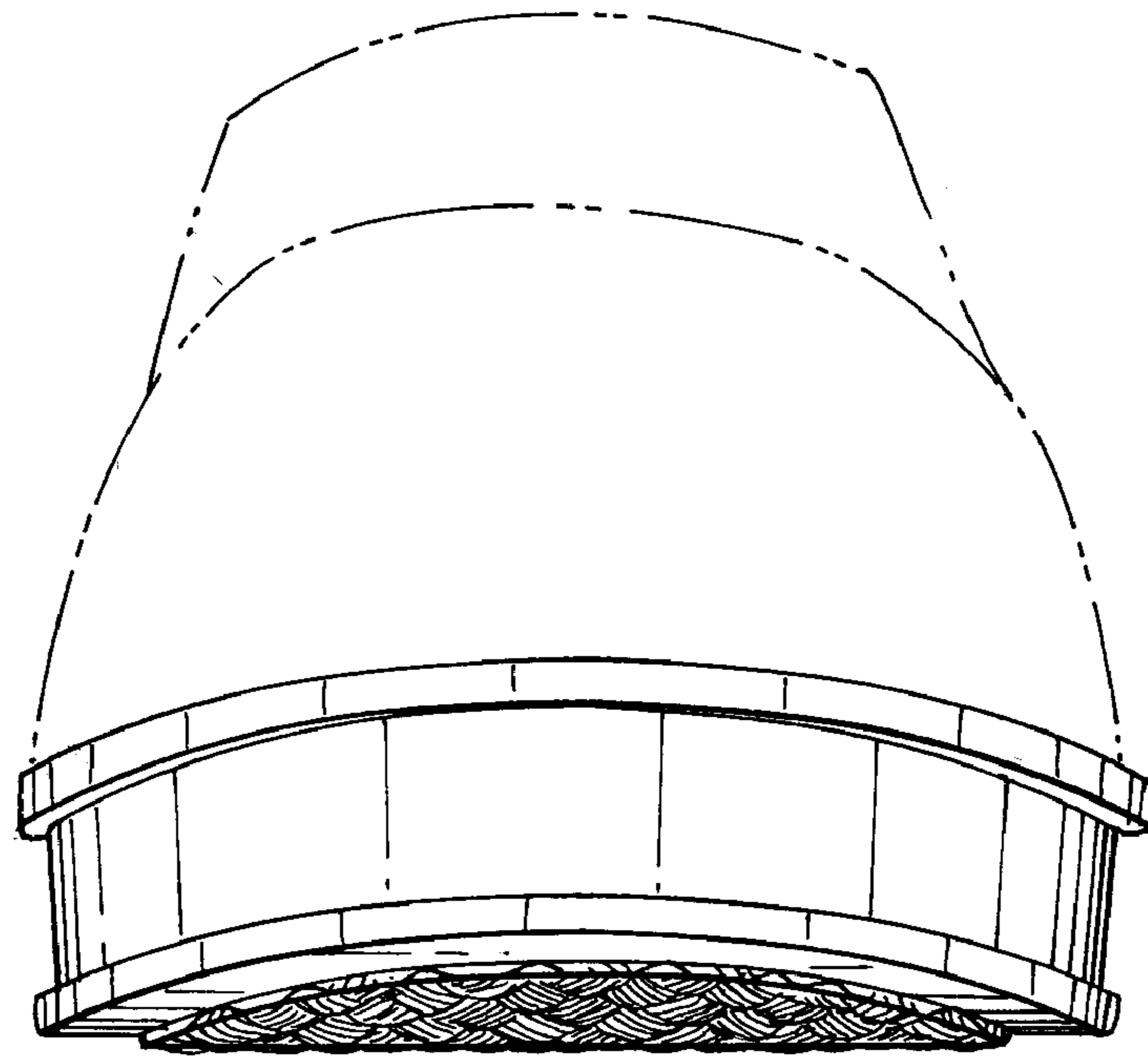
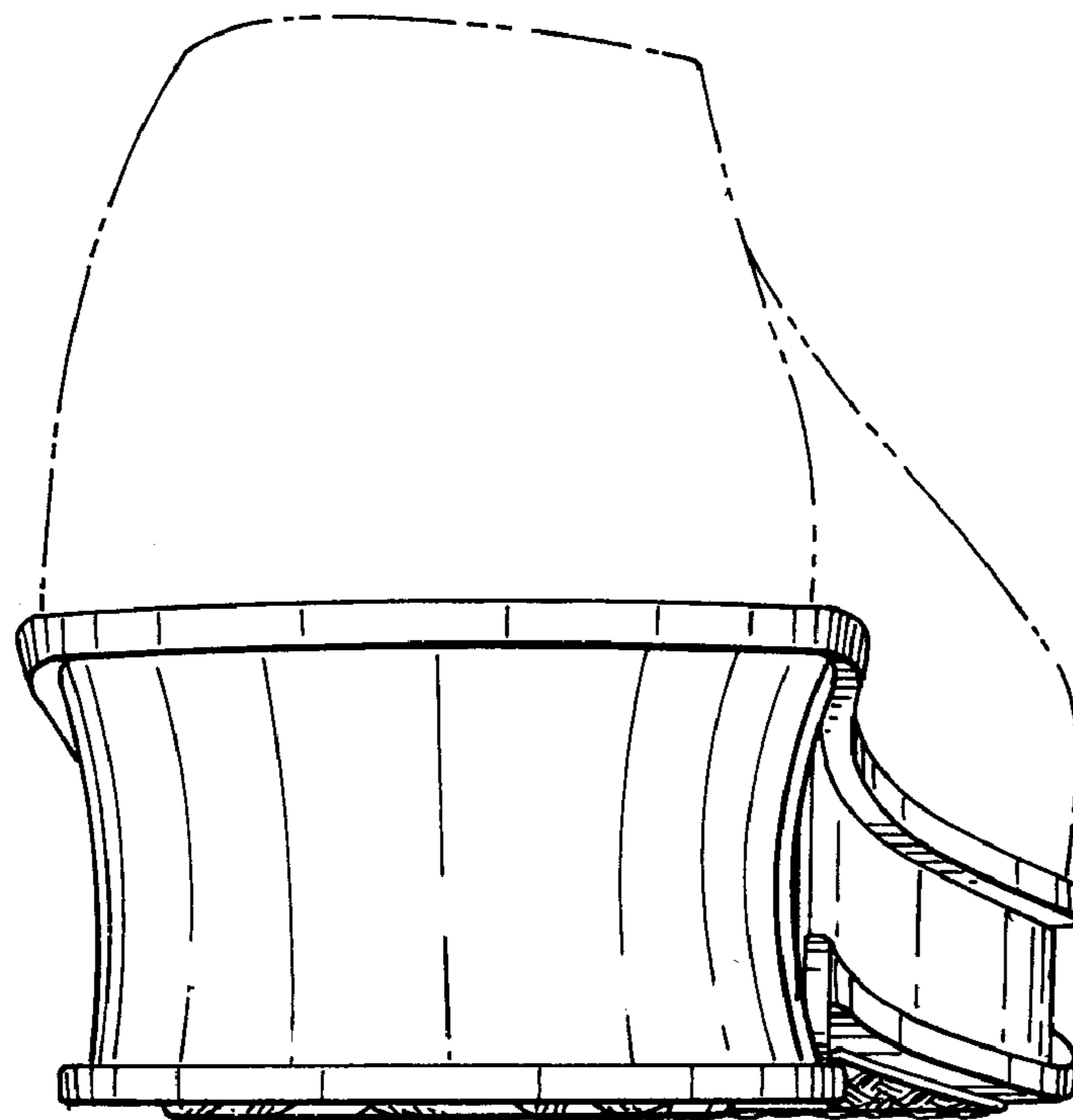


FIG. 3



*FIG. 4*



*FIG. 5*

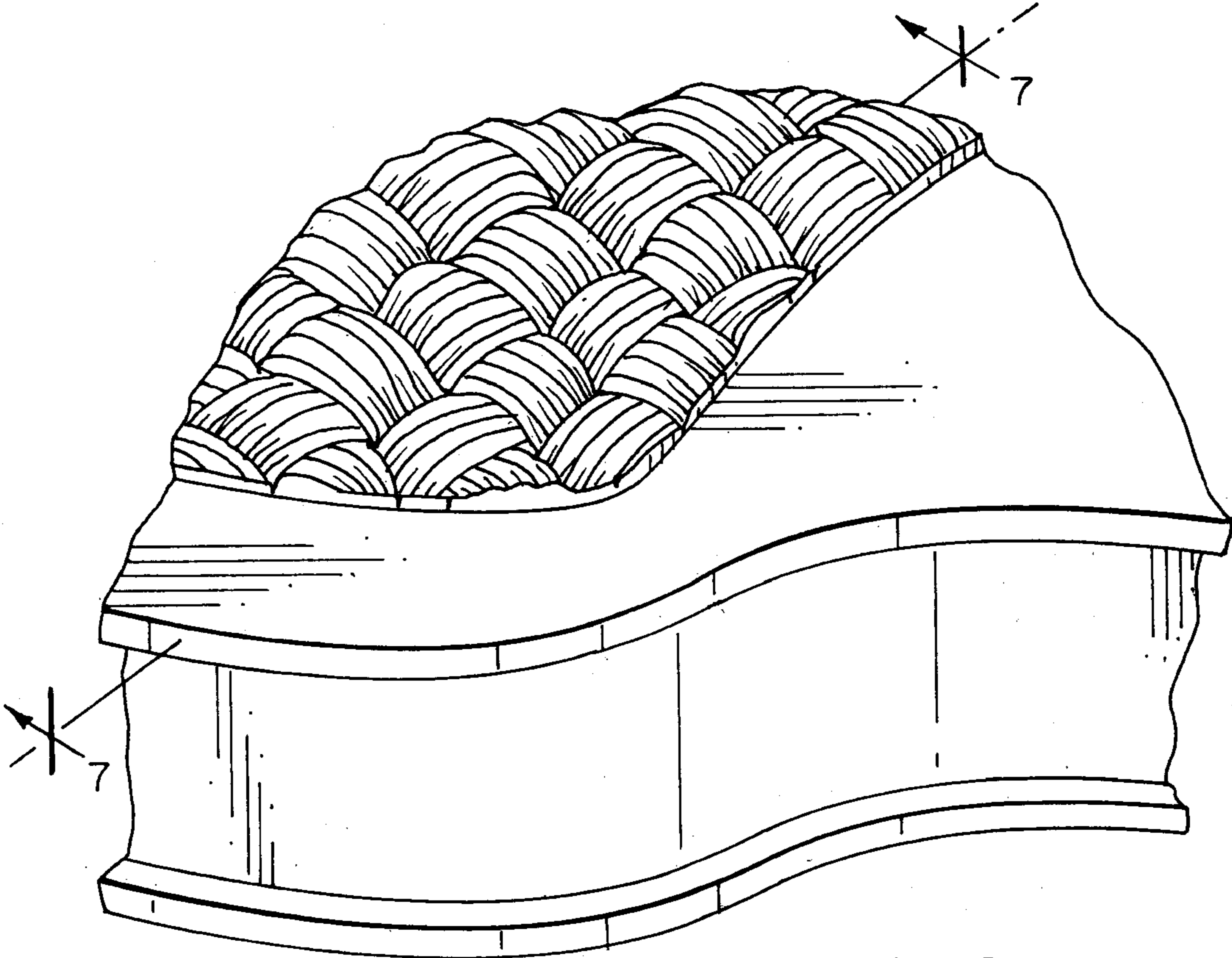


FIG. 6

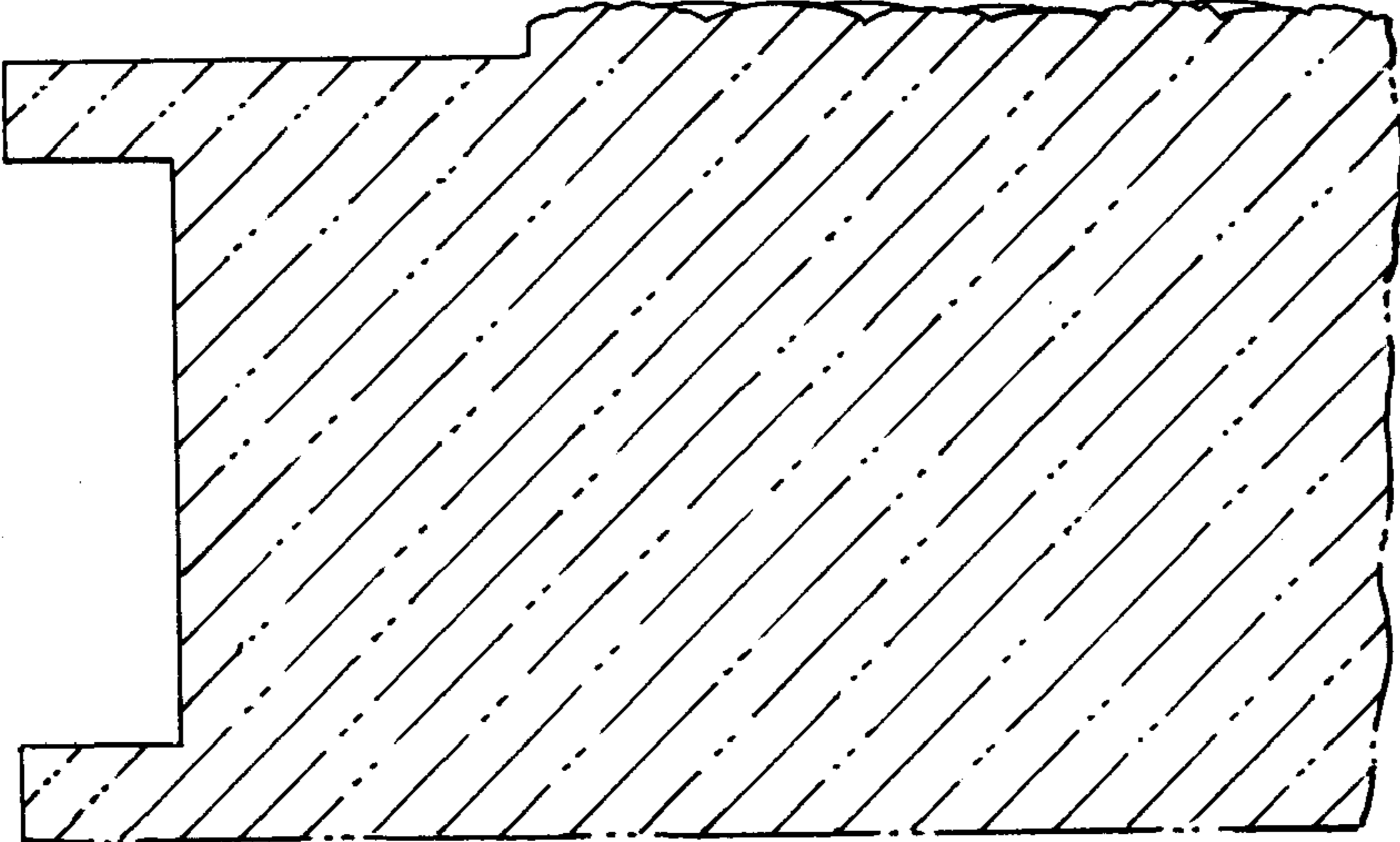


FIG. 7