



US00D505765S

(12) **United States Design Patent** (10) **Patent No.:** **US D505,765 S**
Swaine et al. (45) **Date of Patent:** **** May 31, 2005**

(54) **SELF-SERVICE TERMINAL**

(75) Inventors: **Stephen W. Swaine**, Coupar (GB);
Charles G. V. Rohan, Broughty Ferry
(GB); **David C. McGinn**, Grange (GB);
Andrew Colley, Methven Walk (GB)

(73) Assignee: **NCR Corporation**, Dayton, OH (US)

(**) Term: **14 Years**

(21) Appl. No.: **29/205,136**

(22) Filed: **May 10, 2004**

(30) **Foreign Application Priority Data**

Nov. 19, 2003 (GB) 3015255

(51) **LOC (7) Cl.** **99-00**

(52) **U.S. Cl.** **D99/28**

(58) **Field of Search** D99/28, 35, 36,
D99/40, 41, 43; D20/1, 4, 5; D18/3.1, 3.3;
D10/106; 235/379, 380, 381; 194/206,
217, 347, 350; D6/509, 492, 491; 361/681

(56) **References Cited**

U.S. PATENT DOCUMENTS

D282,305 S * 1/1986 Kusenberg D99/28
D360,374 S * 7/1995 Tice et al. D10/106

D410,129 S * 5/1999 Molander et al. D99/28
D427,413 S * 6/2000 Wallace et al. D99/35
D447,164 S * 8/2001 Forslund D18/3.1
D449,420 S * 10/2001 Sommerville et al. D99/28
D455,889 S * 4/2002 Jobin D99/43
D456,587 S * 4/2002 Kit et al. D99/28
6,594,144 B1 * 7/2003 Miles 361/681
D481,517 S * 10/2003 Magee et al. D99/28
D492,080 S * 6/2004 Magee et al. D99/28
D494,730 S * 8/2004 Magee et al. D99/28

* cited by examiner

Primary Examiner—Paula A. Greene

(57) **CLAIM**

The ornamental design for a self-service terminal, as shown and described.

DESCRIPTION

FIG. 1 is a front view of a self-service terminal, showing our new design;

FIG. 2 is a rear view of the self-service terminal of FIG. 1;

FIG. 3 is a side view, taken from the right side of FIG. 1;

FIG. 4 is a side view, taken from the left side of FIG. 1;

FIG. 5 is a top view of the self-service terminal of FIG. 1; and,

FIG. 6 is a general right front perspective view of the self-service terminal from FIG. 1.

1 Claim, 6 Drawing Sheets

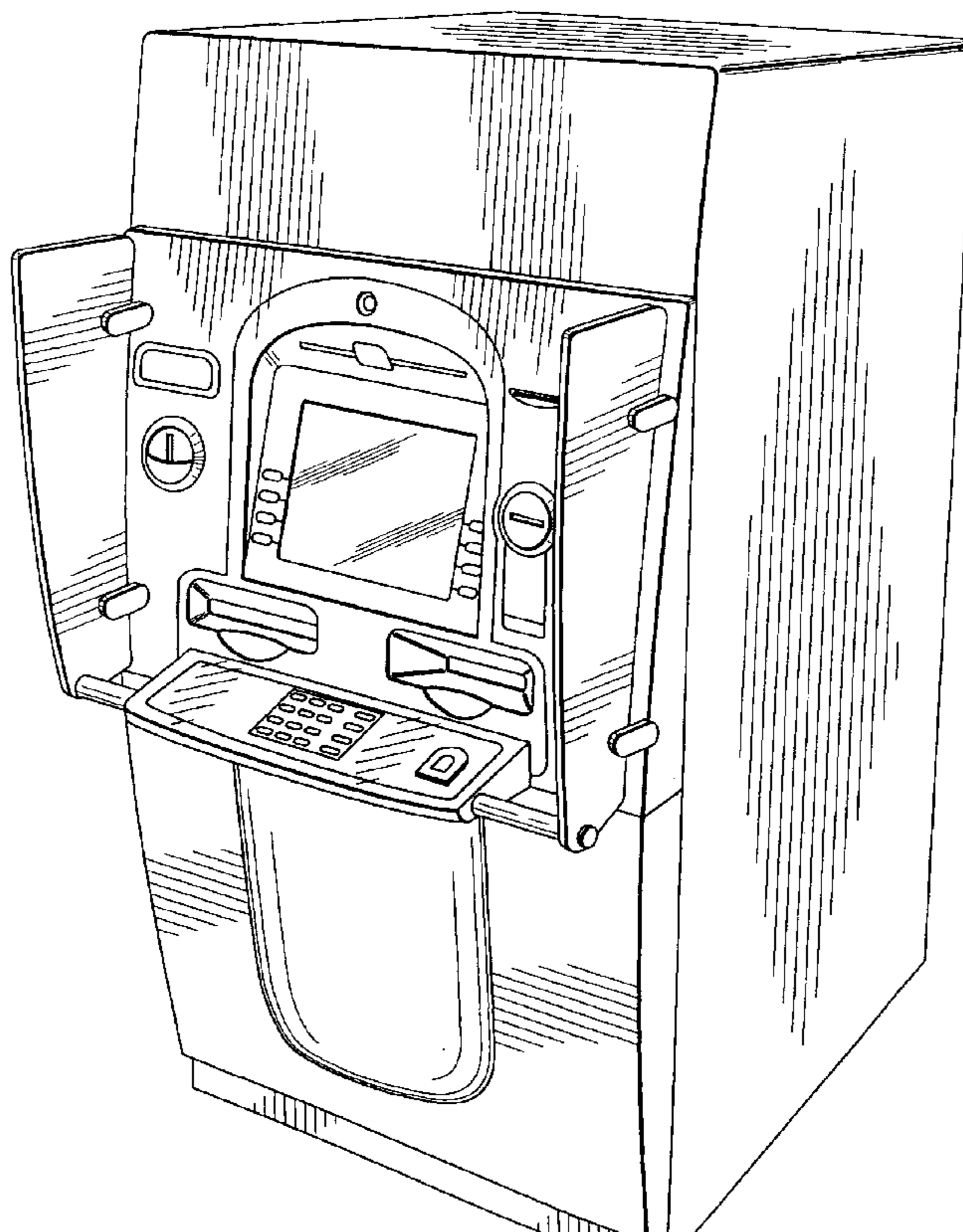


FIG. 1

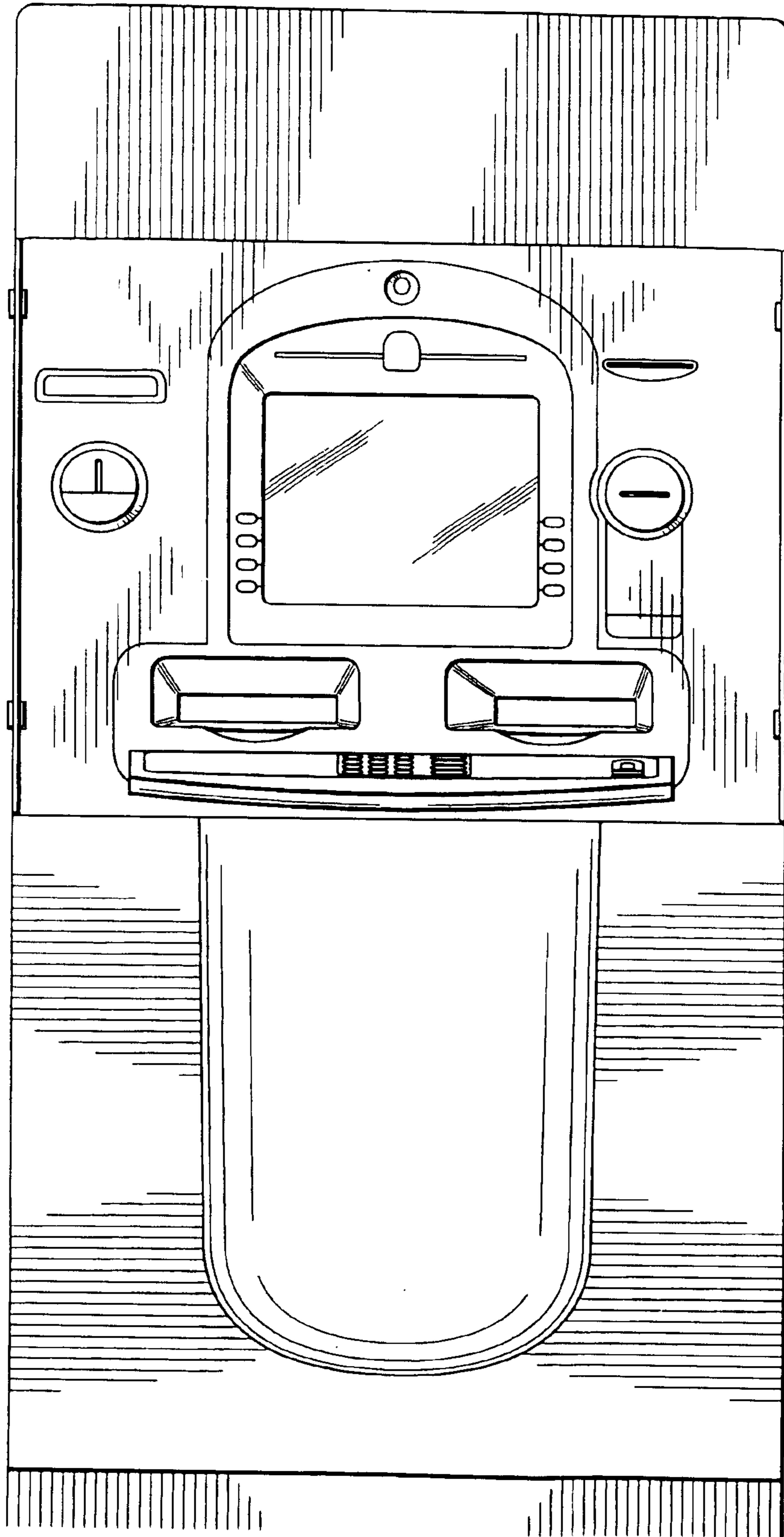


FIG. 2

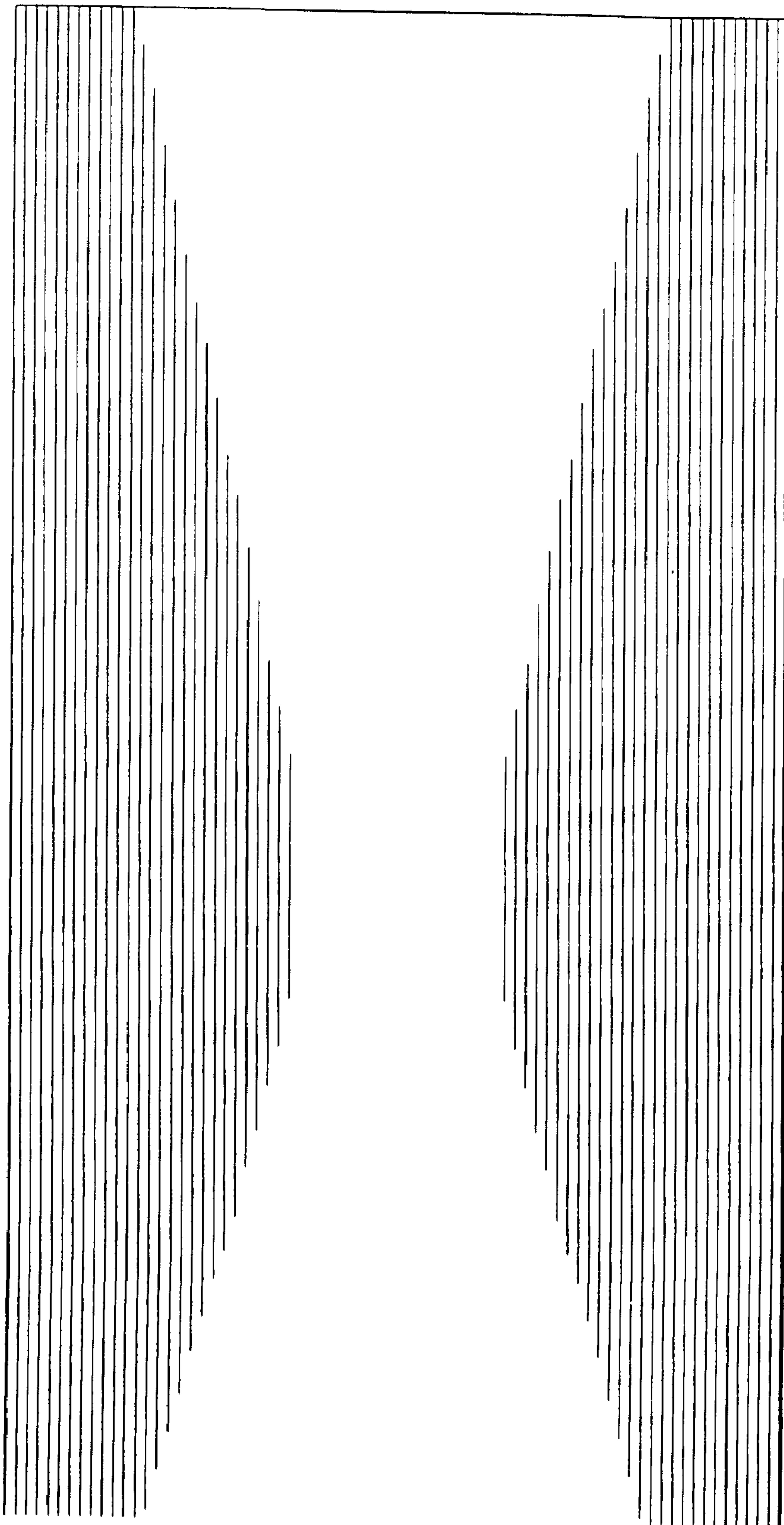
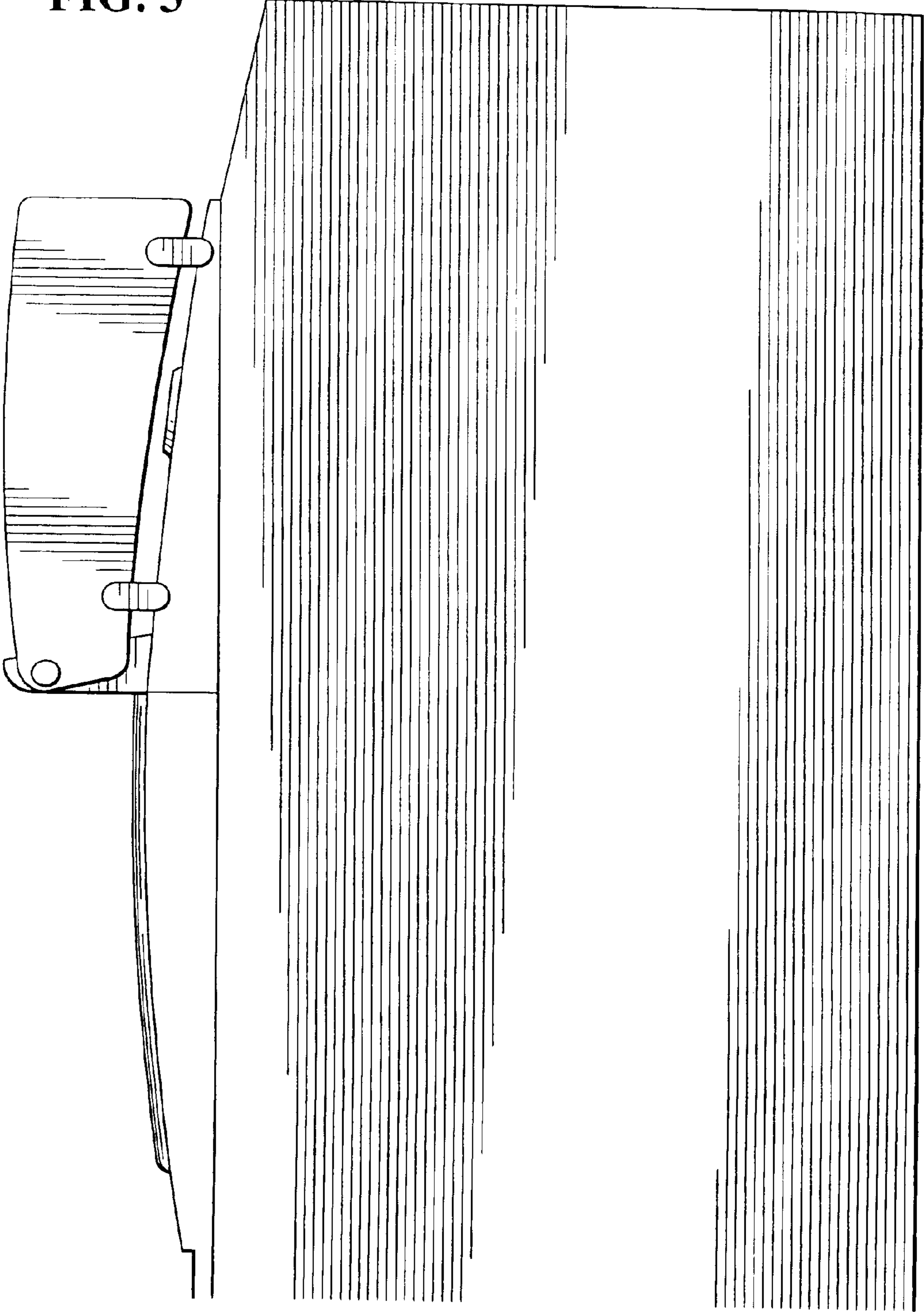


FIG. 3



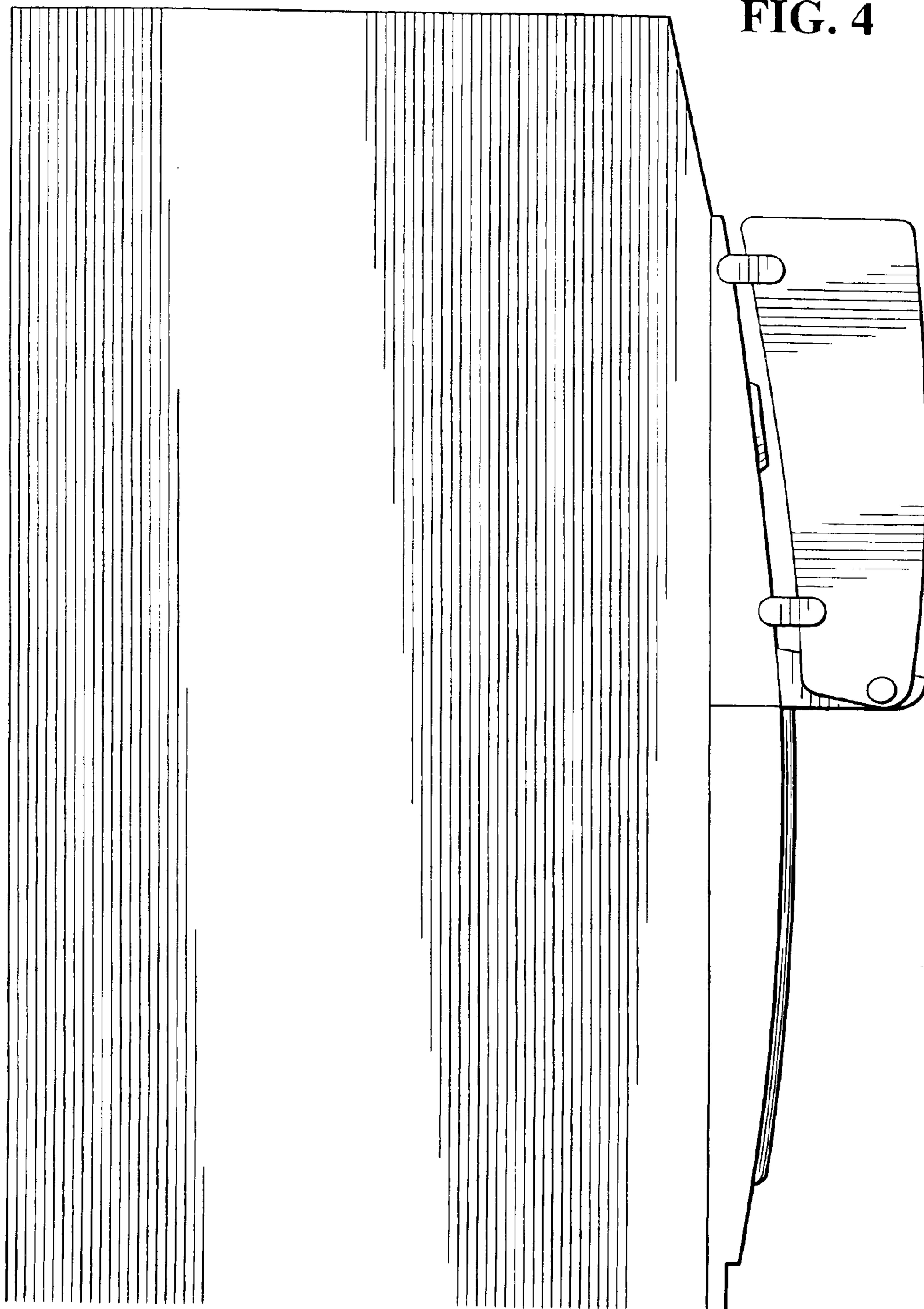


FIG. 5

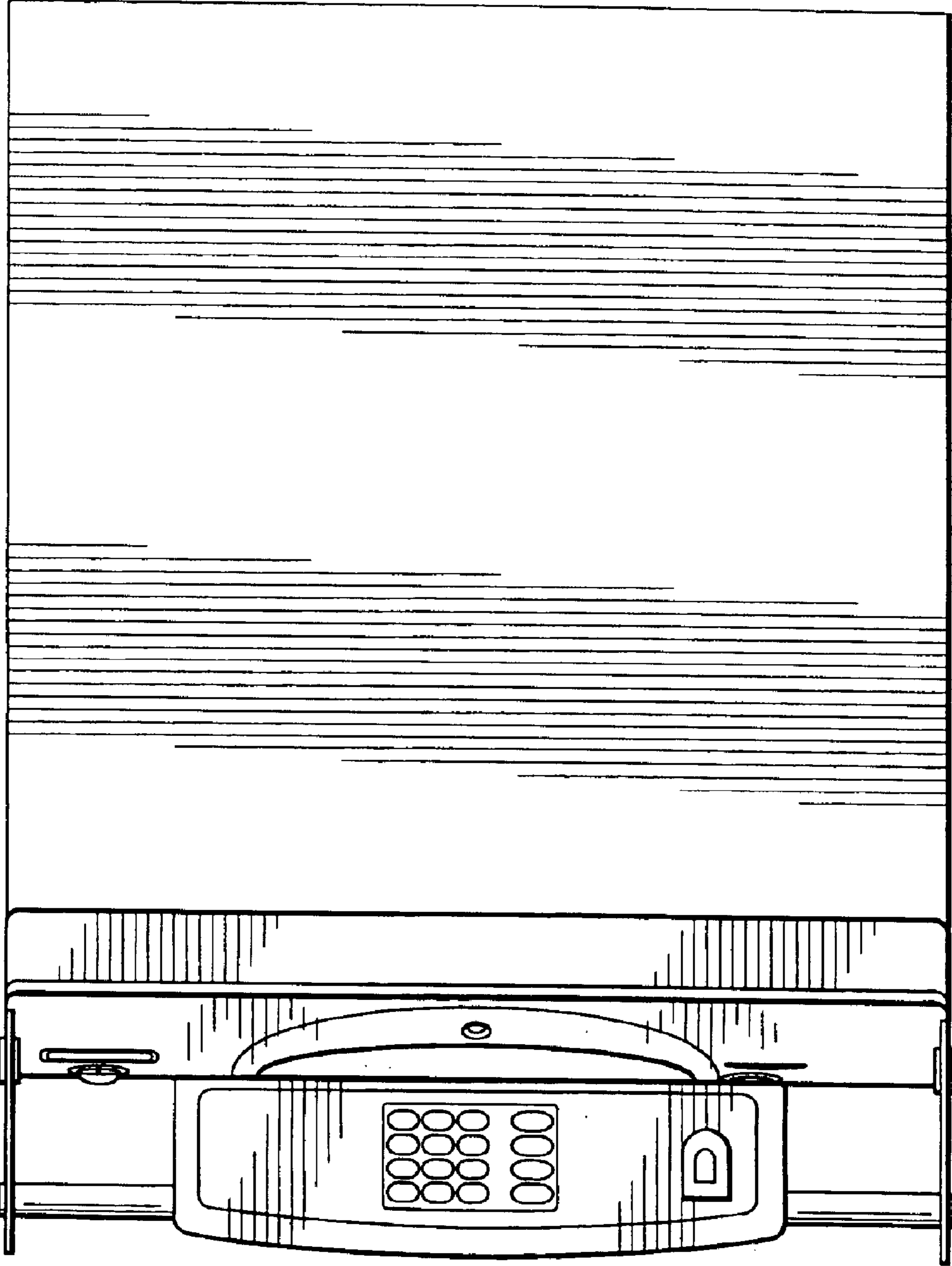


FIG. 6

