

US00D505764S

(12) **United States Design Patent**
McDaniel et al.

(10) **Patent No.:** **US D505,764 S**
(45) **Date of Patent:** **** May 31, 2005**

(54) **MODULAR GUIDE LINK FOR CONVEYOR CHAIN**

(75) Inventors: **Michael D. McDaniel**, Glasgow, KY (US); **Wendell S. Bell**, Smiths Grove, KY (US); **Stephen C. Fye**, Glasgow, KY (US)

(73) Assignee: **Span Tech LLC**, Glasgow, KY (US)

(**) Term: **14 Years**

(21) Appl. No.: **29/177,464**

(22) Filed: **Mar. 11, 2003**

Related U.S. Application Data

(63) Continuation-in-part of application No. 29/165,575, filed on Aug. 13, 2002, now Pat. No. Des. 483,168.

(51) **LOC (7) Cl.** **12-05**

(52) **U.S. Cl.** **D34/29; D34/35**

(58) **Field of Search** D34/29, 35; D8/499; 198/851, 838, 853, 850; 474/212

(56) **References Cited**

U.S. PATENT DOCUMENTS

- D307,707 S * 5/1990 Abbestam et al. D8/499
- 4,953,693 A 9/1990 Draebel
- 5,031,757 A 7/1991 Draebel et al.
- 5,247,789 A 9/1993 Abbestam et al.
- D419,742 S * 1/2000 Abbestam D34/29
- D420,483 S * 2/2000 Abbestam D34/29
- D427,898 S * 7/2000 Loh D8/499

- 6,223,889 B1 * 5/2001 Layne et al. 198/853
- 6,250,458 B1 * 6/2001 Shibayama et al. 198/851
- 6,347,699 B1 * 2/2002 Ramsey 198/852
- 6,364,095 B1 * 4/2002 Layne et al. 198/852
- 6,382,404 B1 * 5/2002 Guldenfels 198/850
- D473,032 S * 4/2003 Altom D34/29
- D483,168 S * 12/2003 McDaniel et al. D34/29

* cited by examiner

Primary Examiner—Cynthia E. Ramirez

(74) *Attorney, Agent, or Firm*—King & Schickli, PLLC

(57) **CLAIM**

The ornamental design of a modular guide link for conveyor chain, as shown and described.

DESCRIPTION

FIG. 1 is a perspective view of the modular guide link for conveyor chain;

FIG. 2 is a right side elevational view thereof;

FIG. 3 is a front elevational view of the link, the rear being a mirror image thereof;

FIG. 4 is a top plan view thereof;

FIG. 5 is a bottom plan view thereof;

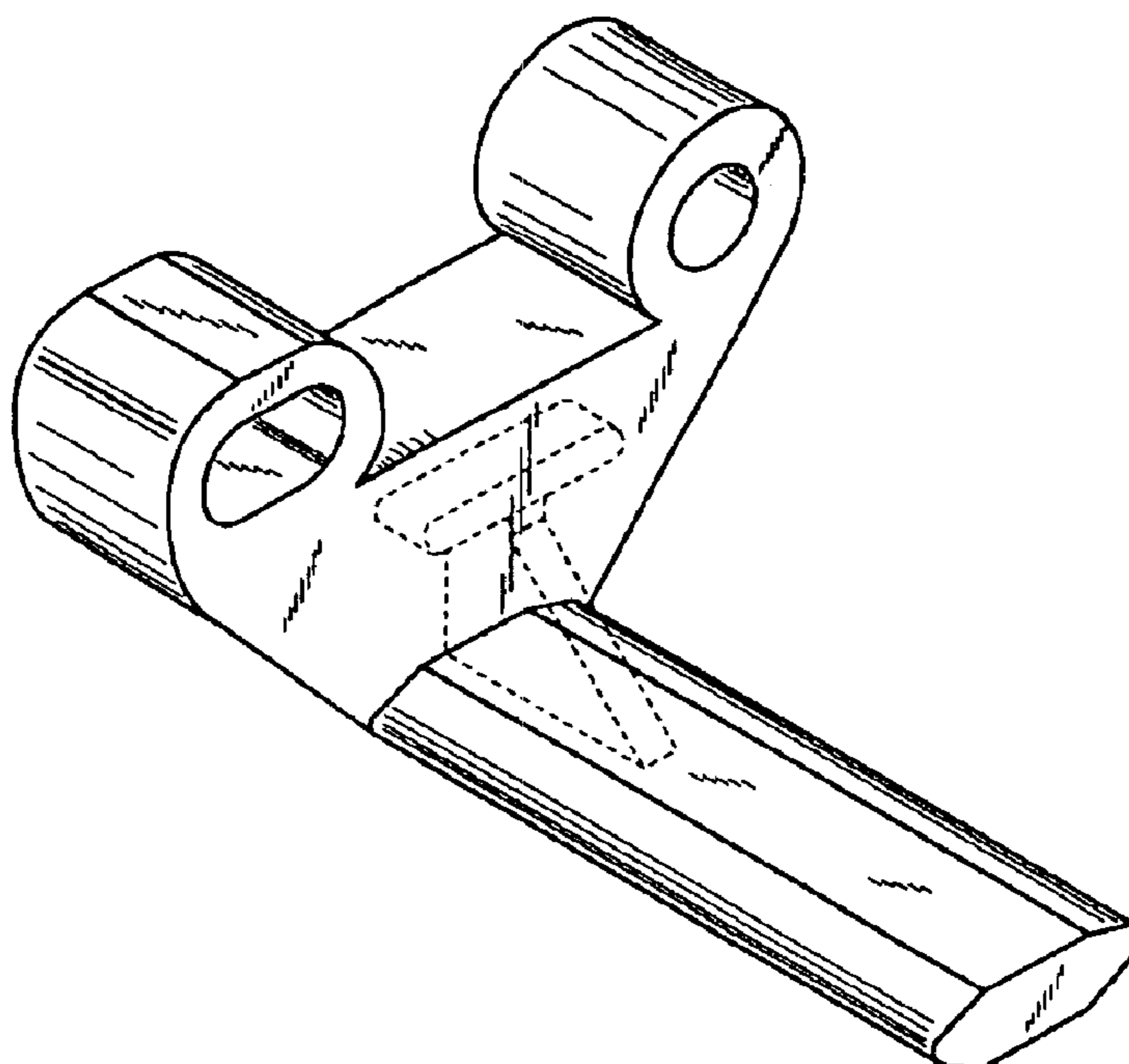
FIG. 6 is a left side elevational view thereof;

FIG. 7 is a perspective view of another embodiment of the modular guide link for conveyor chain;

FIG. 8 is a right side elevational view of the embodiment of FIG. 7; and,

FIG. 9 is a left side elevational view of the embodiment of FIG. 7.

1 Claim, 3 Drawing Sheets



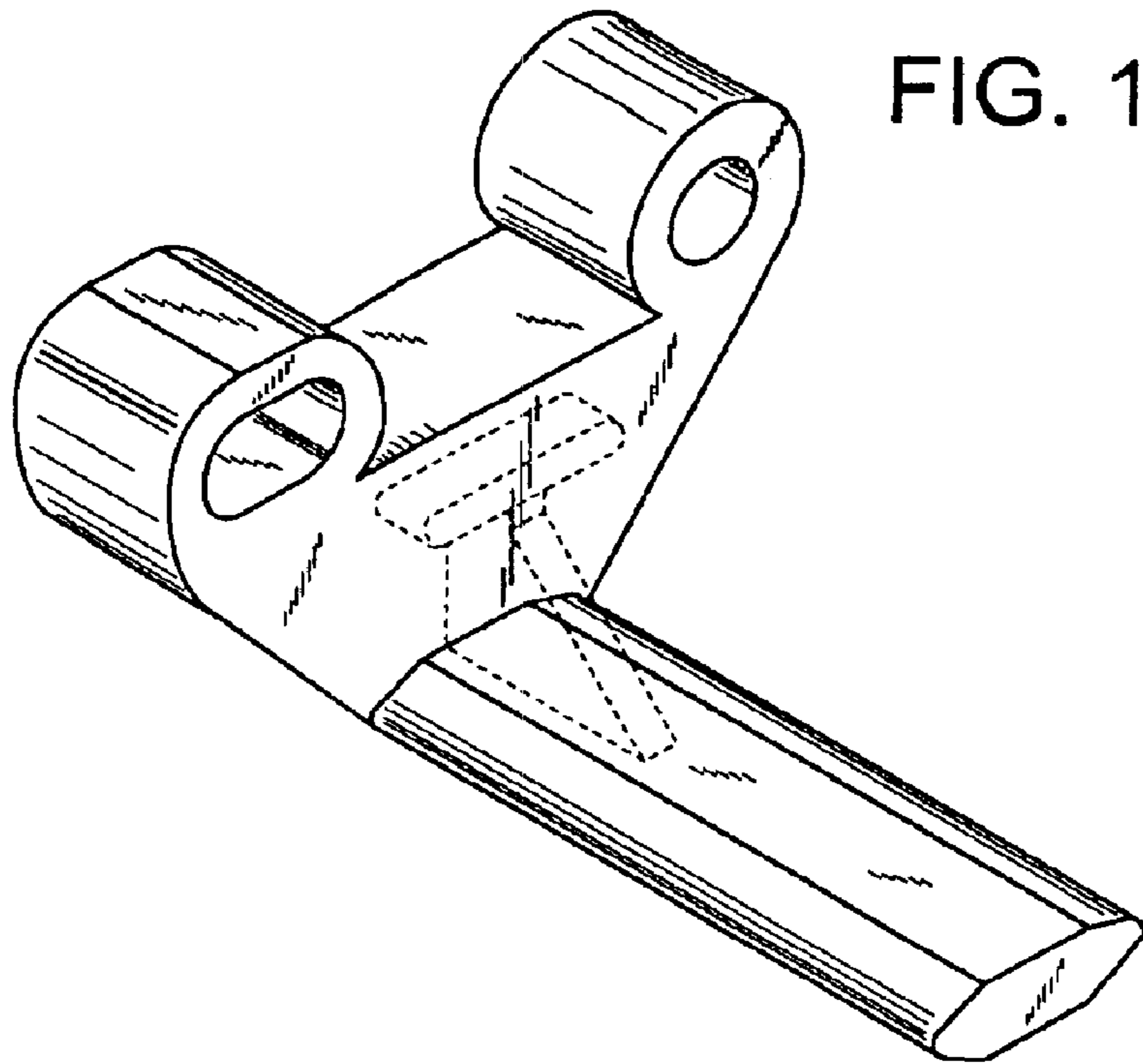


FIG. 1

FIG. 2

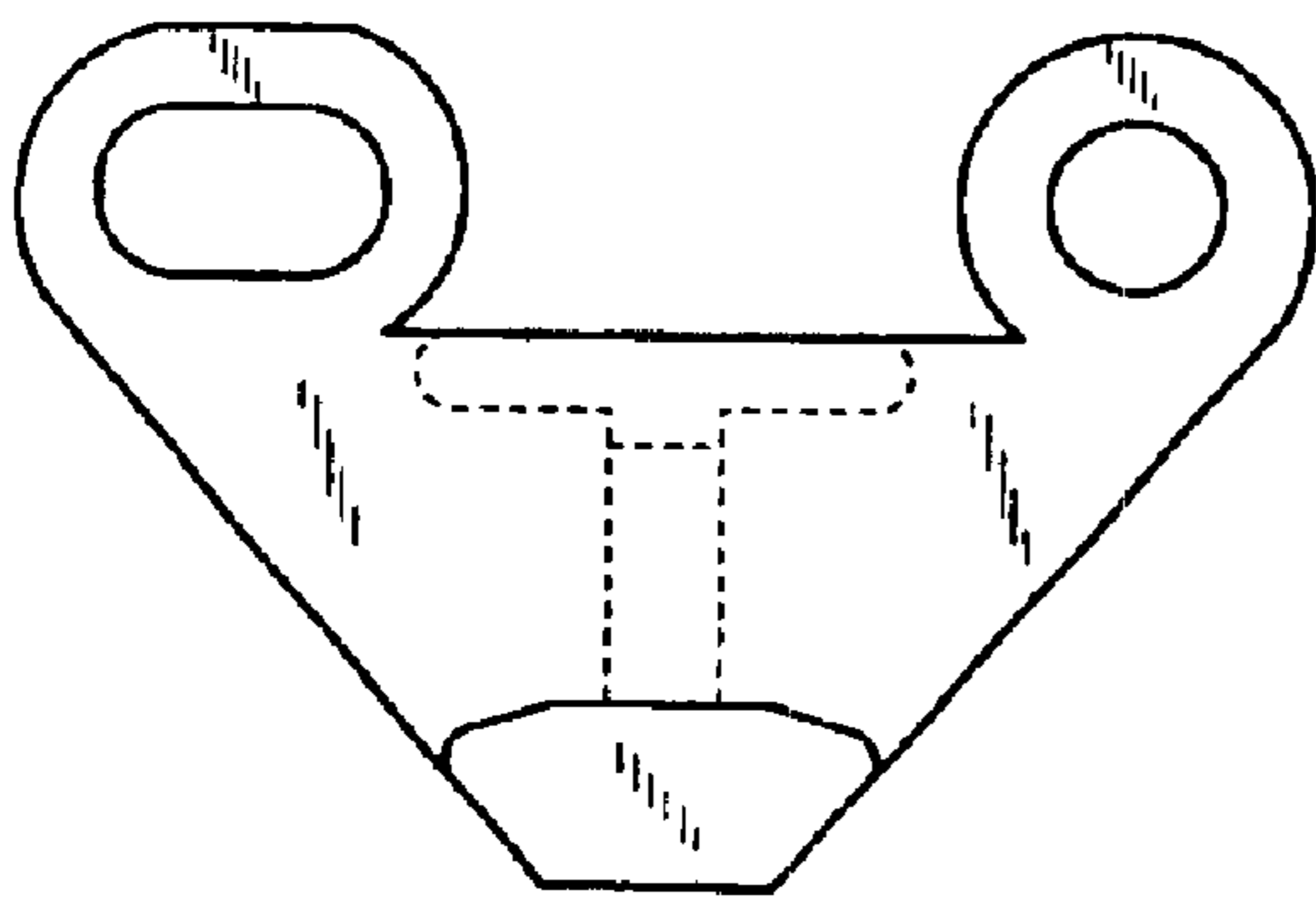


FIG. 3

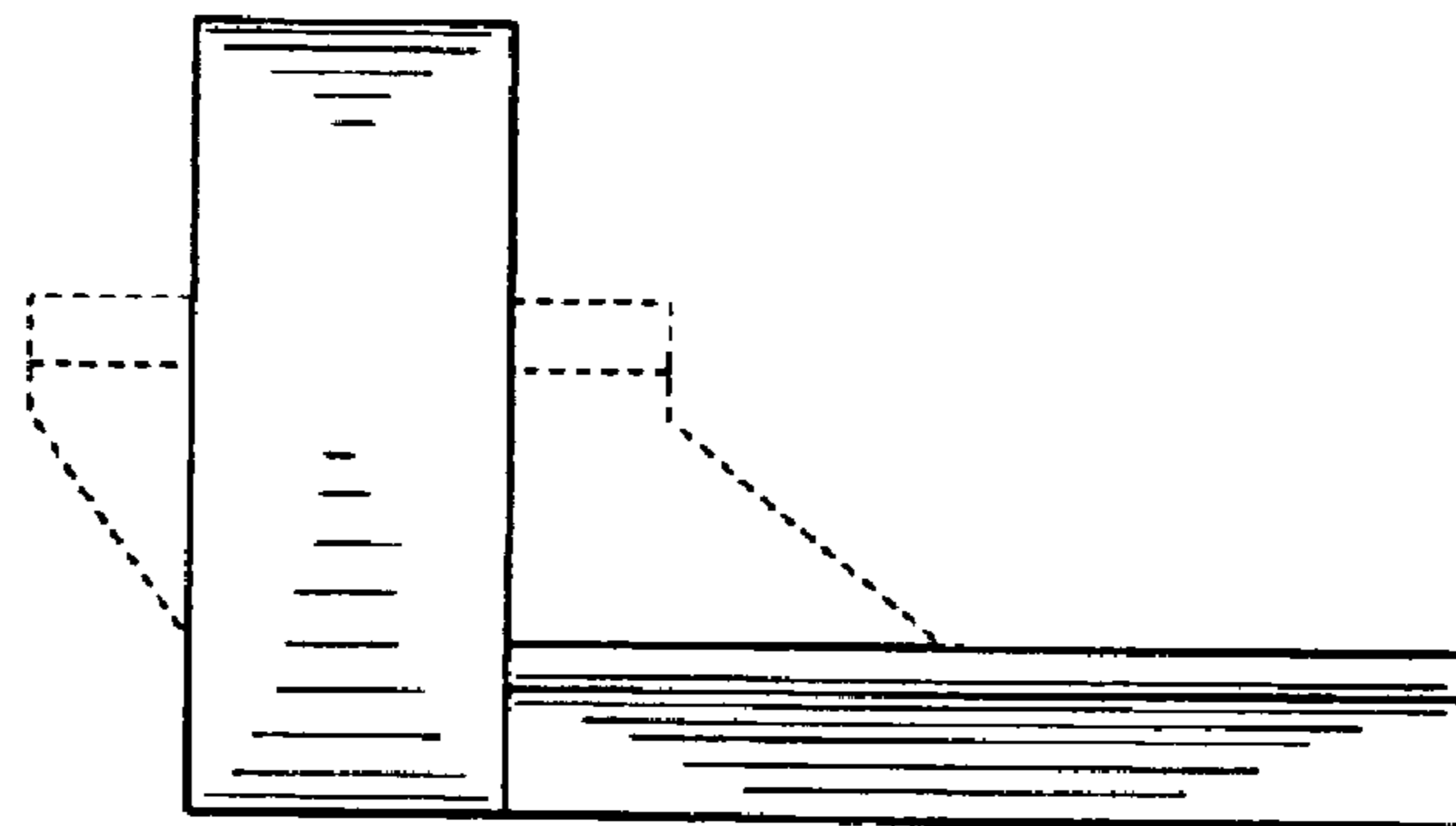


FIG. 4

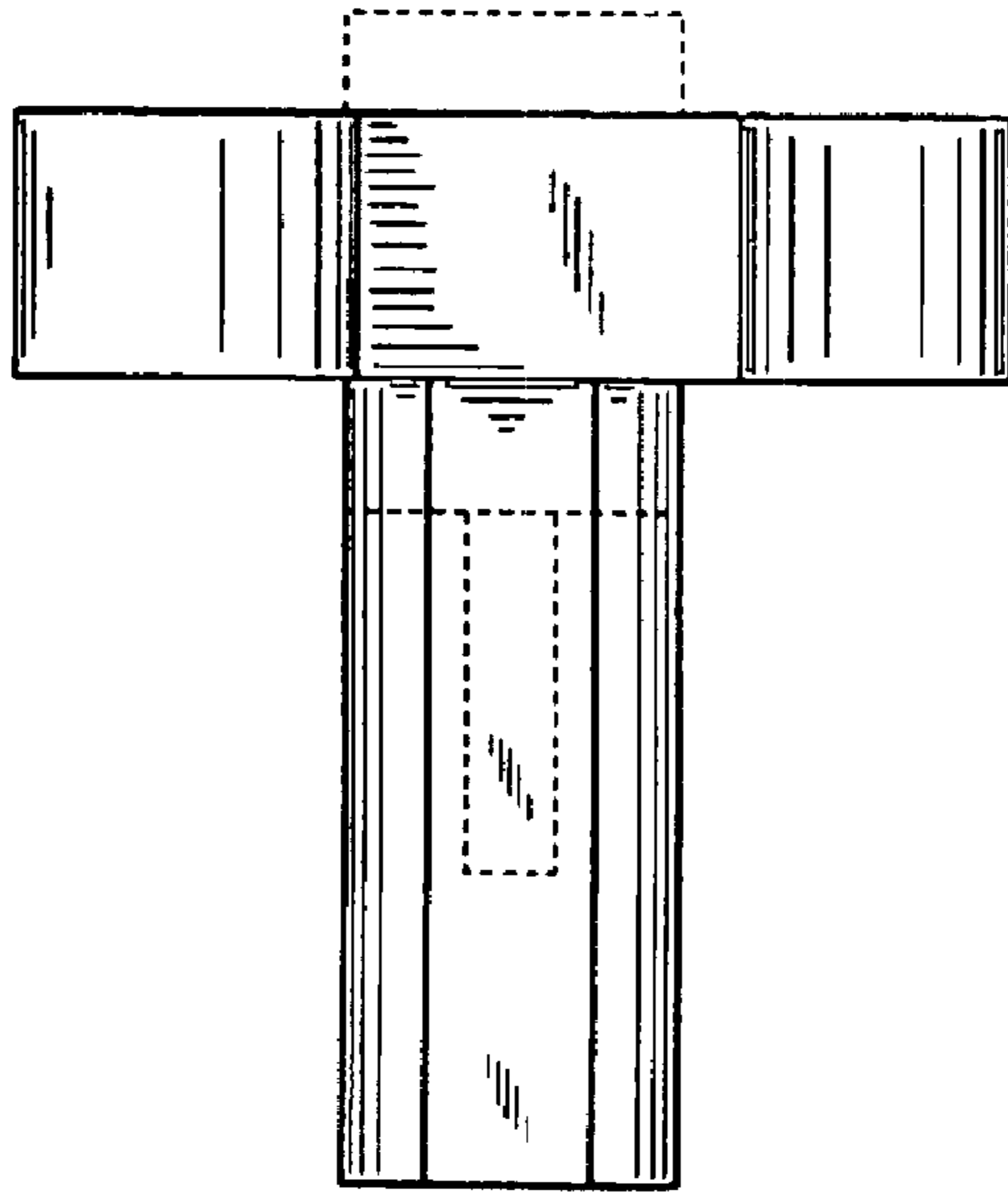


FIG. 5

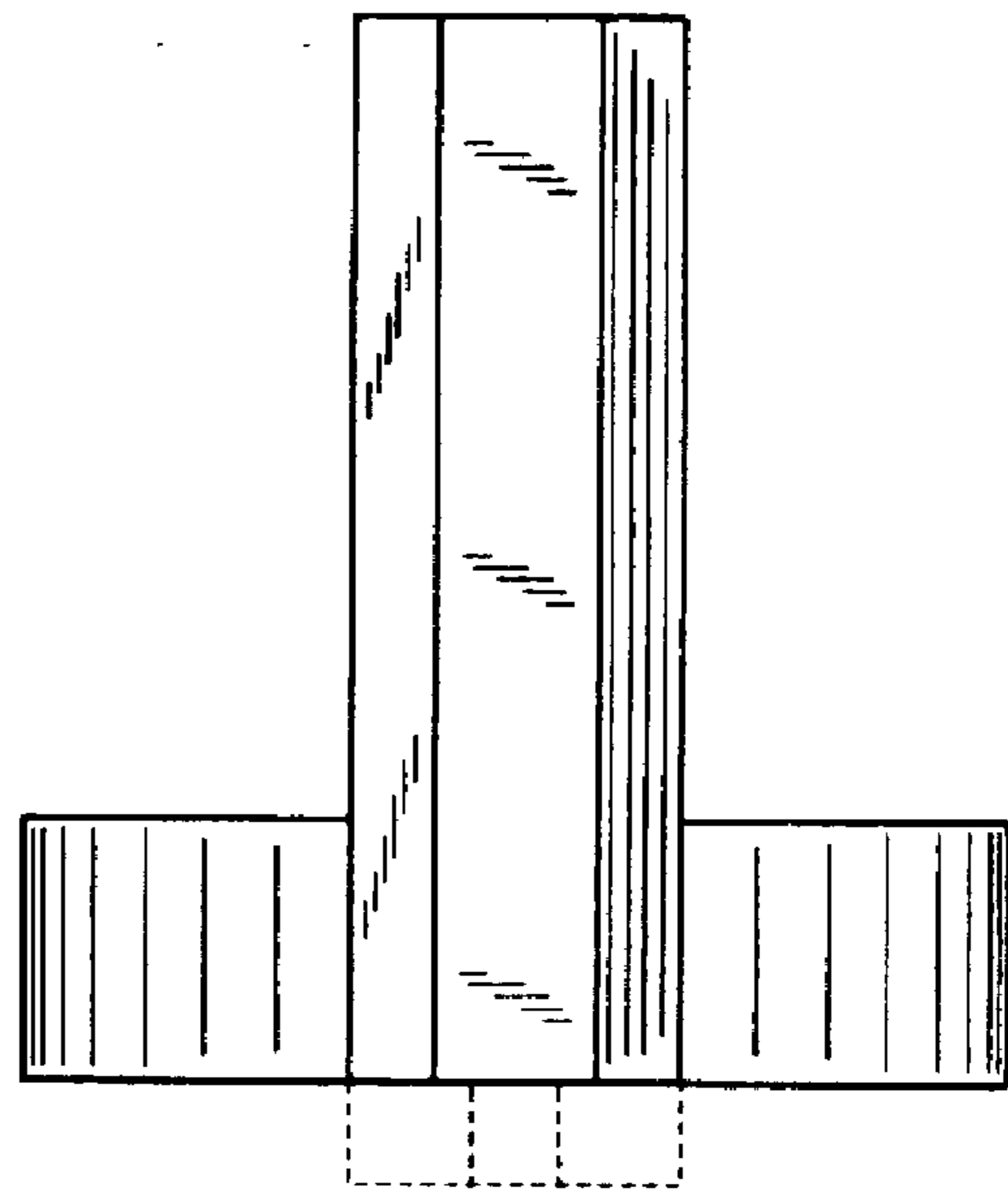
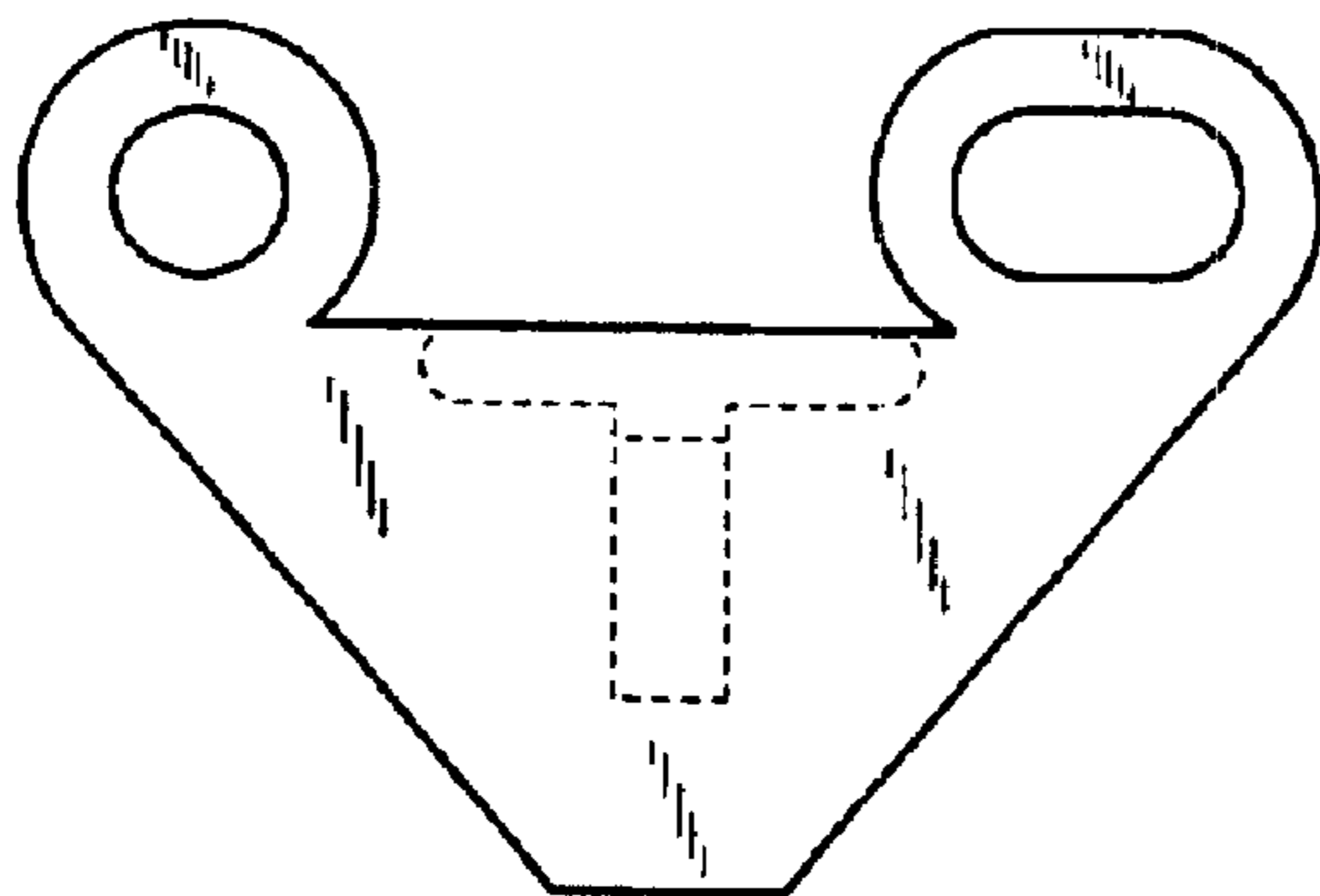


FIG. 6



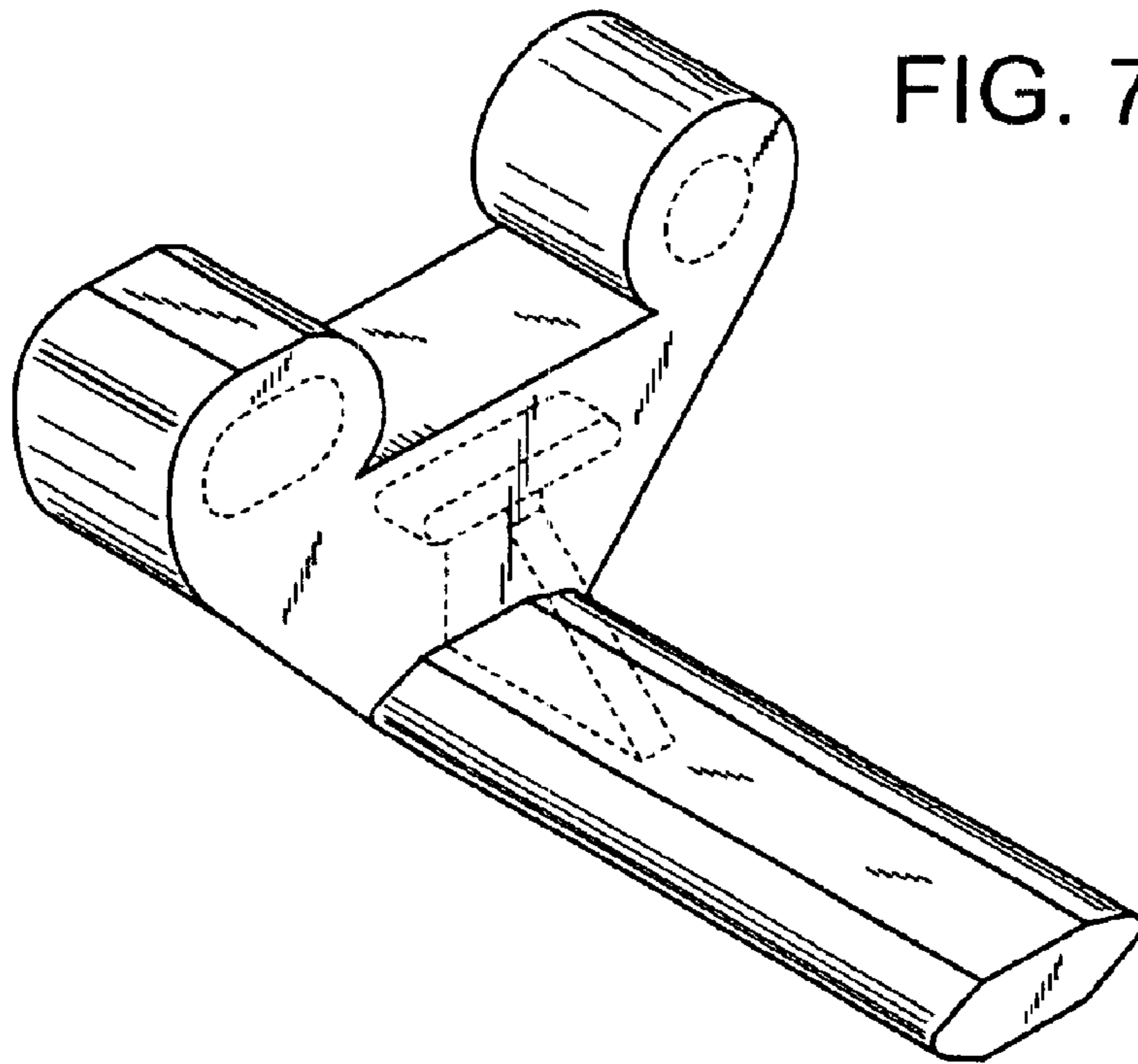


FIG. 7

FIG. 8

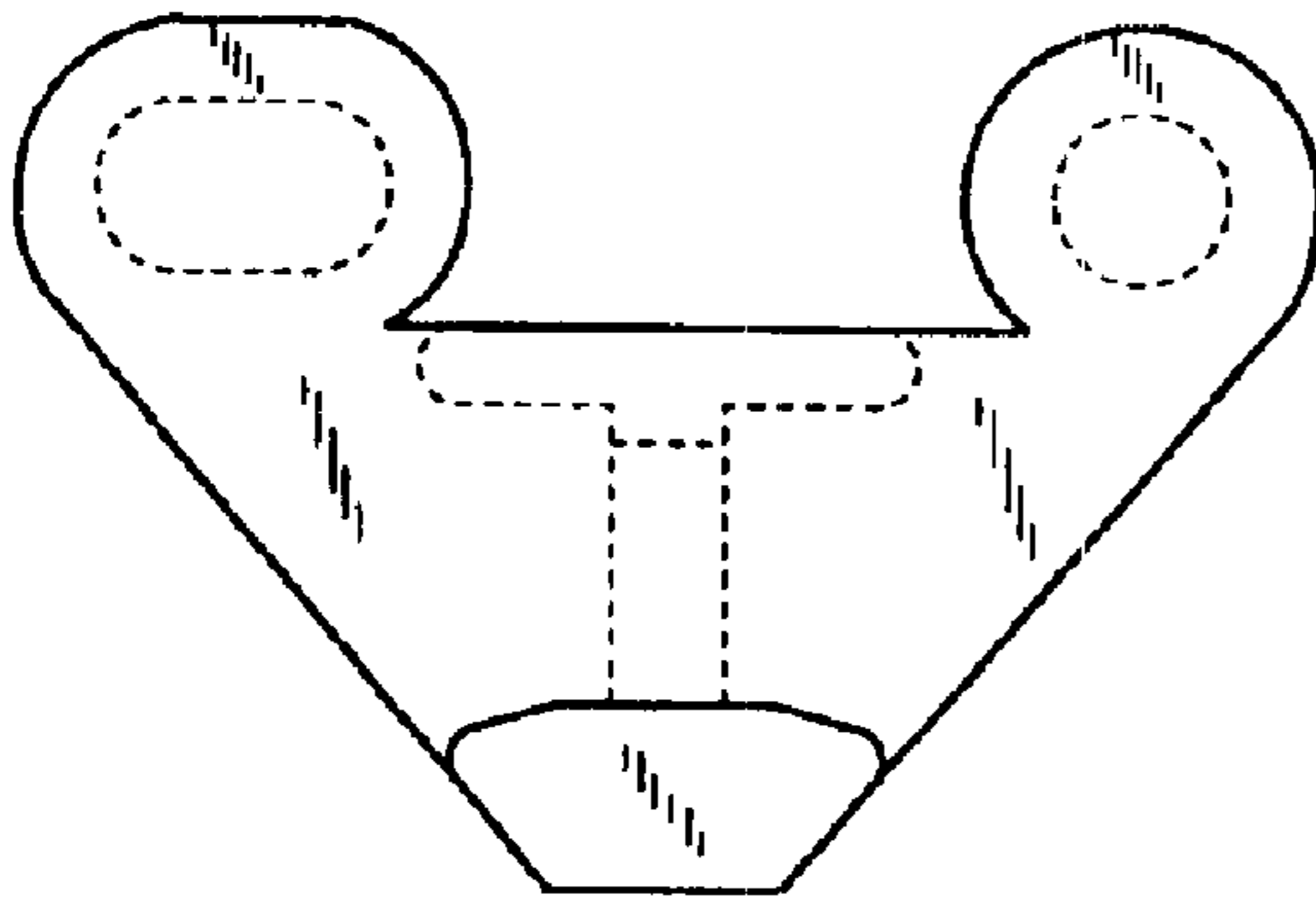


FIG. 9

