

US00D505762S

(12) **United States Design Patent**  
**Lalanne et al.**

(10) **Patent No.: US D505,762 S**  
(45) **Date of Patent: \*\* May 31, 2005**

(54) **MOP**

(76) Inventors: **Jacques Lalanne**, 26 Rue Maurice  
Barres, 60200 Compiègne (FR);  
**Georges Vroonen**, 26 sur les Coteaux,  
B4690 Bassnge (BE)

(\*\*) Term: **14 Years**

(21) Appl. No.: **29/209,812**

(22) Filed: **Jul. 22, 2004**

(51) **LOC (7) Cl.** ..... **04-01**

(52) **U.S. Cl.** ..... **D32/45; D32/50**

(58) **Field of Search** ..... D32/40, 45, 51;  
15/116.2, 119.2, 244.1, 244.2, 244.3, 143.1,  
228, 231-233; 401/137-140, 188 R, 268,  
270, 278, 279

(56) **References Cited**

**U.S. PATENT DOCUMENTS**

D401,703 S \* 11/1998 Beechuk et al. .... D32/45  
5,876,141 A \* 3/1999 Hsu ..... 401/207

D458,427 S \* 6/2002 Kunkler et al. .... D32/45  
D486,616 S \* 2/2004 Hall et al. .... D32/45  
D487,174 S \* 2/2004 Colman et al. .... D32/45  
6,810,554 B2 \* 11/2004 McKay ..... 15/228

\* cited by examiner

*Primary Examiner*—Alan P. Douglas

*Assistant Examiner*—Lavone D. Tabor

(74) *Attorney, Agent, or Firm*—Clifford E. Wilkins

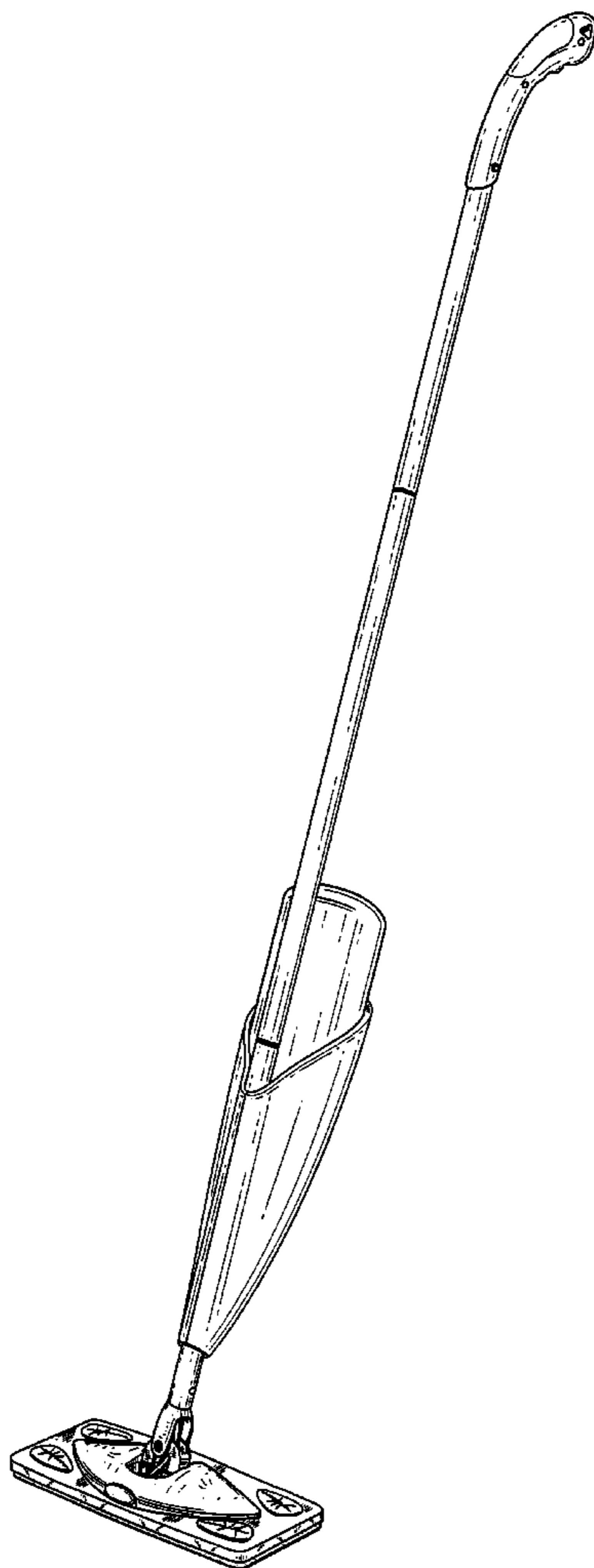
(57) **CLAIM**

The ornamental design for a mop, as shown and described.

**DESCRIPTION**

FIG. 1 is a perspective view of the mop of our design.  
FIG. 2 is a front elevation view thereof.  
FIG. 3 is a rear elevation view thereof.  
FIG. 4 is a right side elevation view thereof.  
FIG. 5 is a left side elevation view thereof.  
FIG. 6 is a top plan view thereof; and,  
FIG. 7 is a bottom plan view thereof.

**1 Claim, 6 Drawing Sheets**



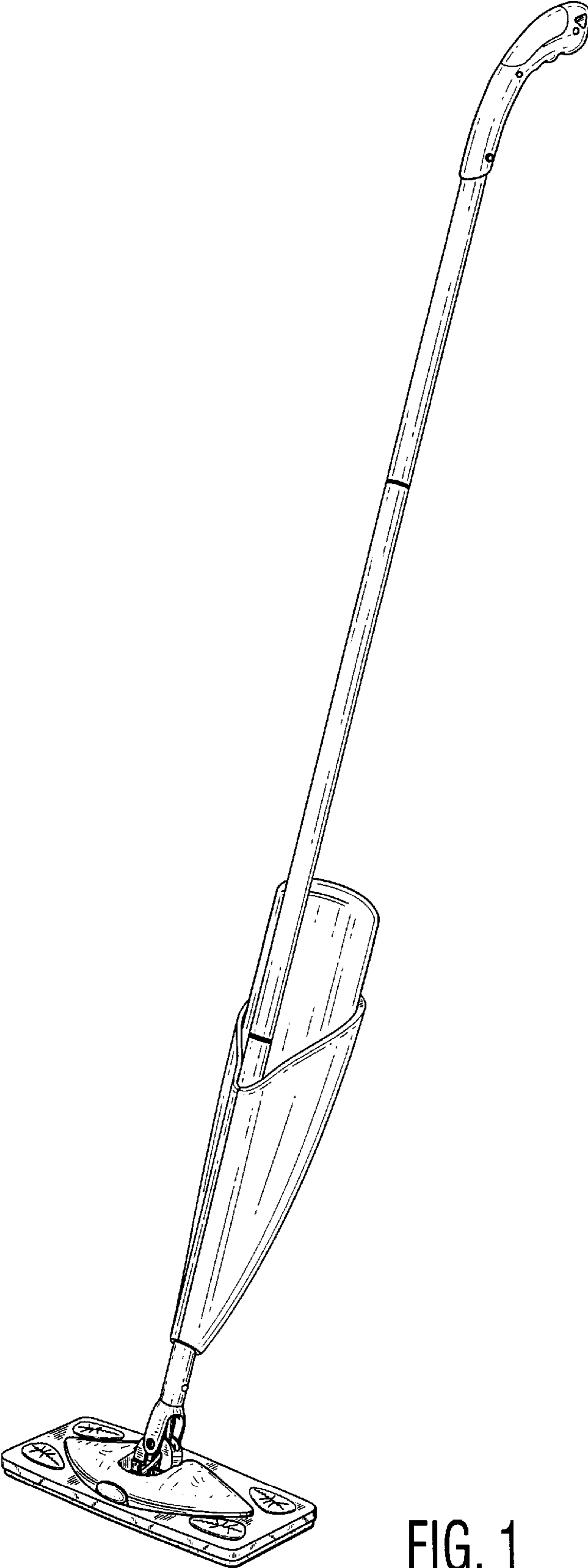


FIG. 1

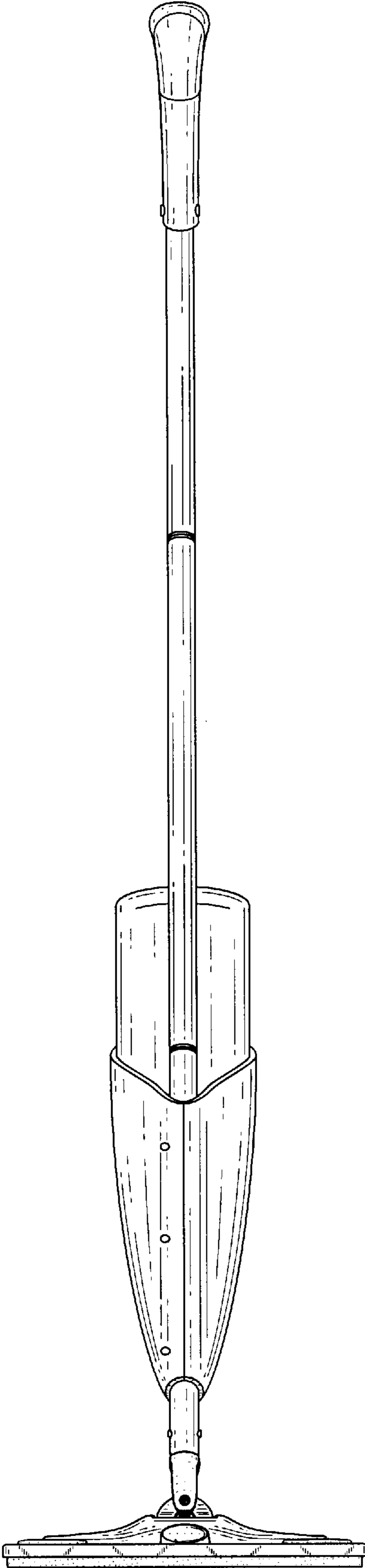


FIG. 2

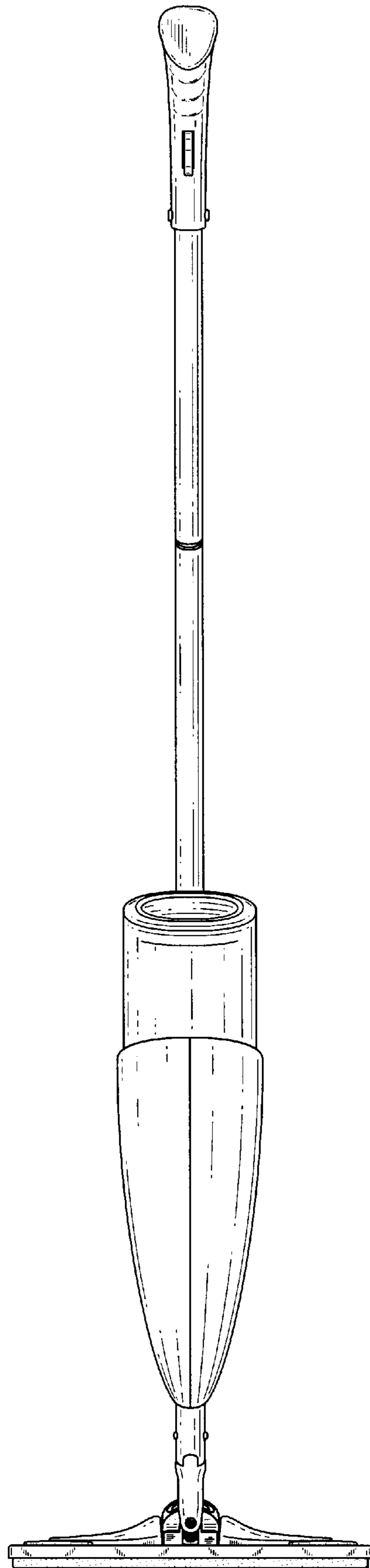


FIG. 3

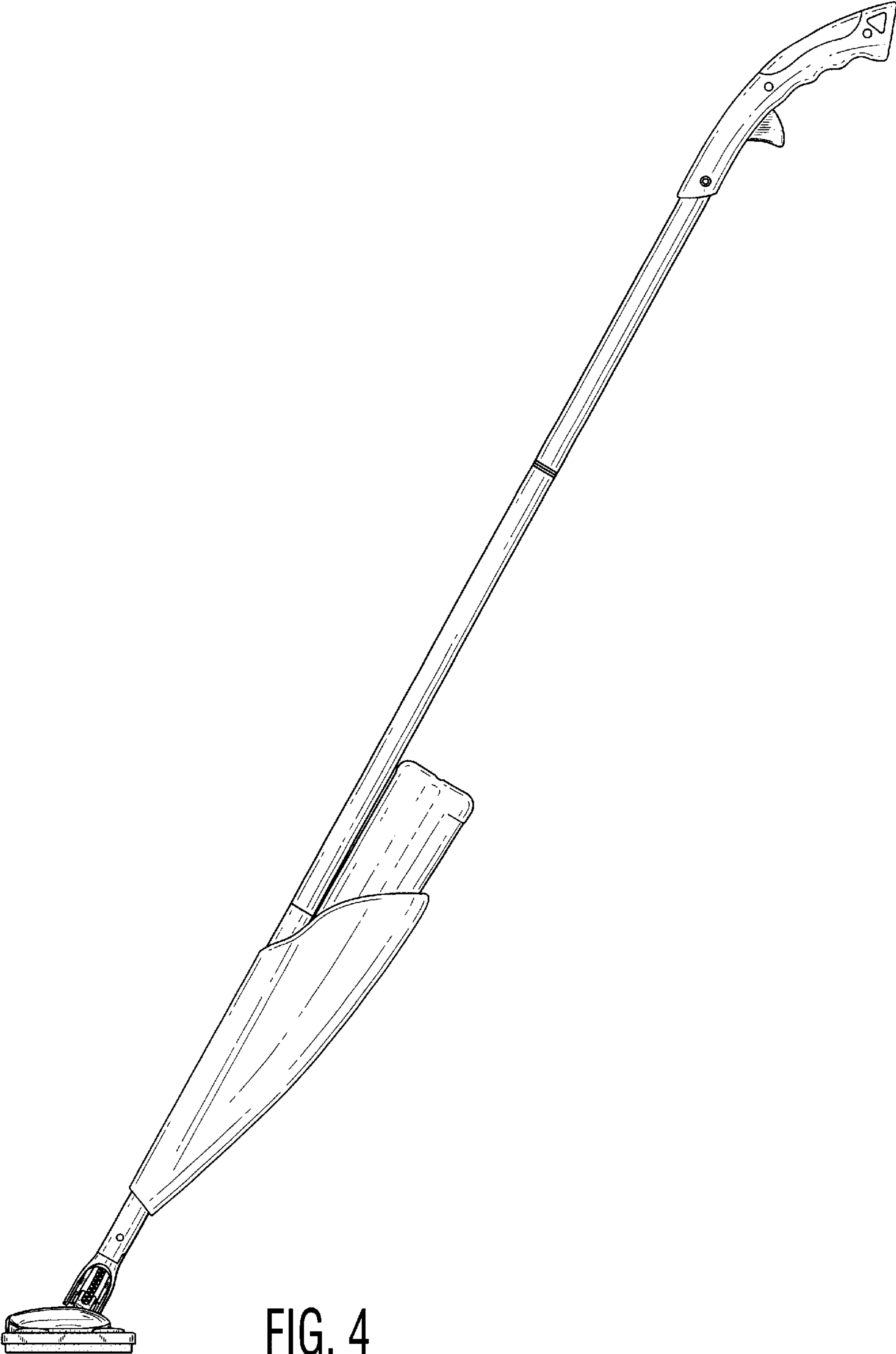


FIG. 4

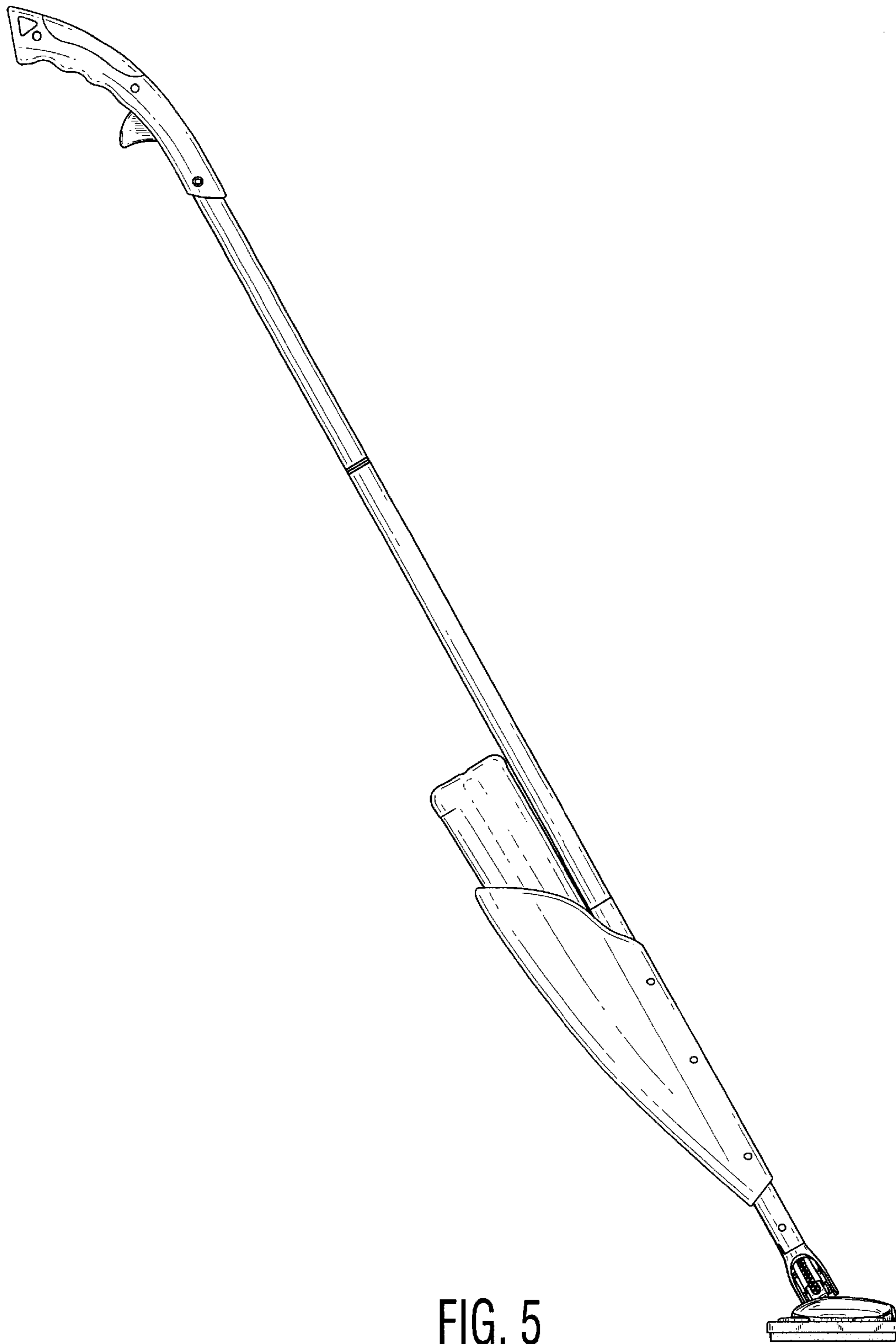


FIG. 5

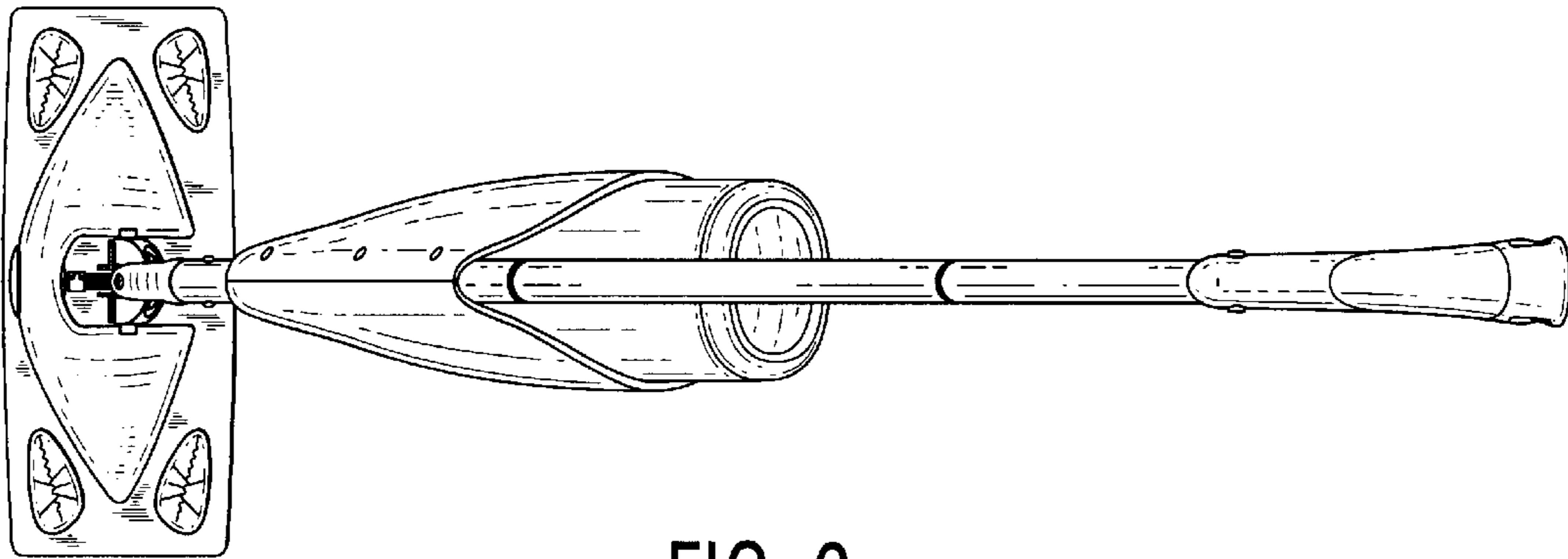


FIG. 6

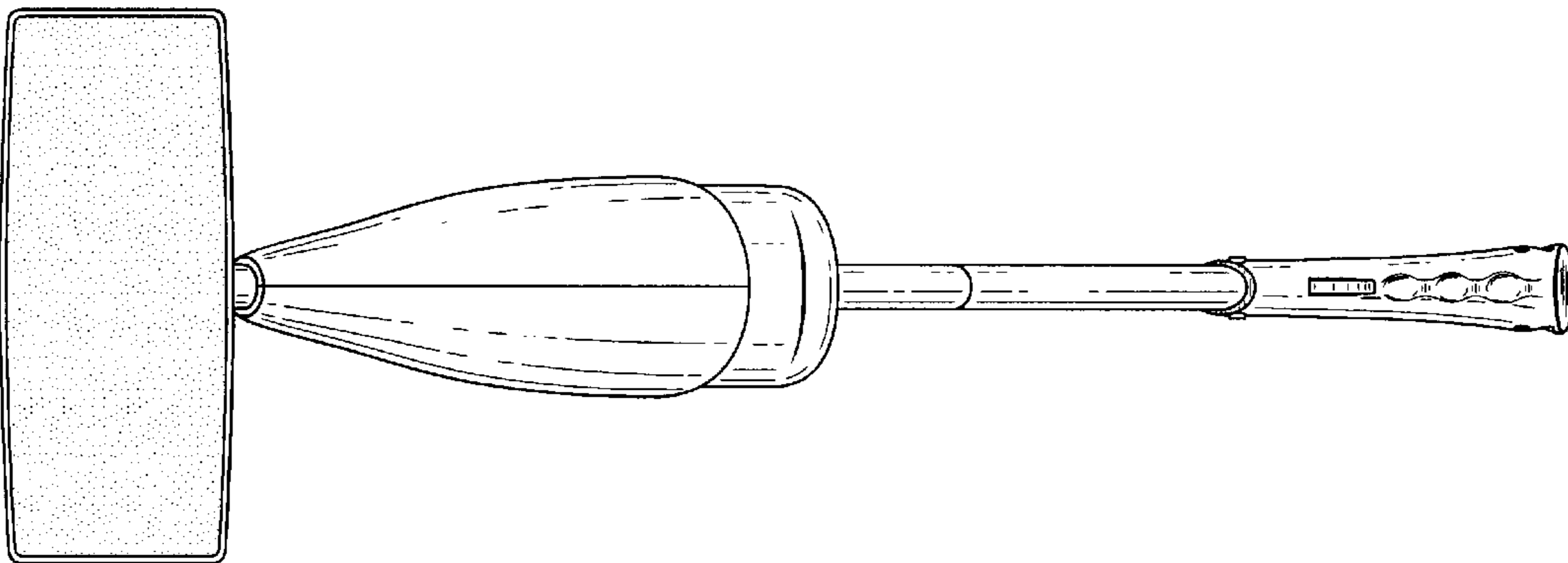


FIG. 7